



US00D953820S

(12) **United States Design Patent**  
**Liu**

(10) **Patent No.:** **US D953,820 S**  
(45) **Date of Patent:** **\*\* Jun. 7, 2022**

(54) **HAMMER PATTERN CHOPPING KNIFE**

(71) Applicant: **Chuanwang Liu, Hengdong (CN)**

(72) Inventor: **Chuanwang Liu, Hengdong (CN)**

(\*\*) Term: **15 Years**

(21) Appl. No.: **29/797,277**

(22) Filed: **Jun. 30, 2021**

(51) **LOC (13) Cl.** ..... **07-03**

(52) **U.S. Cl.**  
USPC ..... **D7/649; D7/401.2**

(58) **Field of Classification Search**  
USPC ..... D7/393–395, 401.2, 642–652, 693,  
D7/695–696; D8/80, 93, 97–100, 107,  
D8/300, 321; D22/117–118  
CPC ..... A01B 1/20; A01B 1/22; A22C 25/006;  
A47G 21/06; A47G 21/065; A61B  
17/3211; A61B 17/3213; B21D 53/64;  
B25G 3/36; B25G 1/102; B26B 1/00;  
B26B 1/08; B26B 1/10; B26B 3/00;  
B26B 3/02; B26B 3/03; B26B 3/04;  
B26B 3/06; B26B 5/00; B26B 5/001;  
B26B 5/007; B26B 7/00; B26B 7/005;  
B26B 9/00; B26B 9/02; B26B 11/00;  
B26B 11/006; B26B 17/00; B26B 17/006;  
B26B 29/02

See application file for complete search history.

(56) **References Cited**

**U.S. PATENT DOCUMENTS**

D358,968 S \* 6/1995 Hirai ..... D7/649  
5,528,834 A \* 6/1996 Seber ..... B26B 3/06  
30/340  
D461,688 S \* 8/2002 Lothe ..... D7/649  
D535,539 S \* 1/2007 Chen ..... D8/80

D547,135 S 7/2007 Hasegawa  
D643,260 S \* 8/2011 Spiegel ..... D7/649  
D658,455 S \* 5/2012 Wang ..... D7/649  
D849,476 S 5/2019 Heine et al.  
D891,882 S \* 8/2020 Almazan ..... D7/649  
D896,594 S 9/2020 Tarrerias  
D920,056 S \* 5/2021 Chen ..... D7/649  
D925,301 S \* 7/2021 Liang ..... D7/649  
D931,971 S \* 9/2021 Wu ..... D7/649  
D944,061 S \* 2/2022 Liu ..... D7/649  
2010/0212166 A1 \* 8/2010 Visnack ..... B26B 9/00  
30/346  
2017/0341244 A1 \* 11/2017 Chen ..... B26B 3/02

**OTHER PUBLICATIONS**

DALSTRONG Mini Cleaver. Date First Available on Amazon.com Sep. 17, 2018. <https://www.amazon.com/dp/B07HFG2QYF/ref> (Year: 2018).\*  
Imarku Butcher Knife. Date First Available on Amazon.com Jul. 28, 2020. <https://www.amazon.com/dp/B08DR1Y744/ref> (Year: 2020).\*

\* cited by examiner

*Primary Examiner* — Ricky Pham

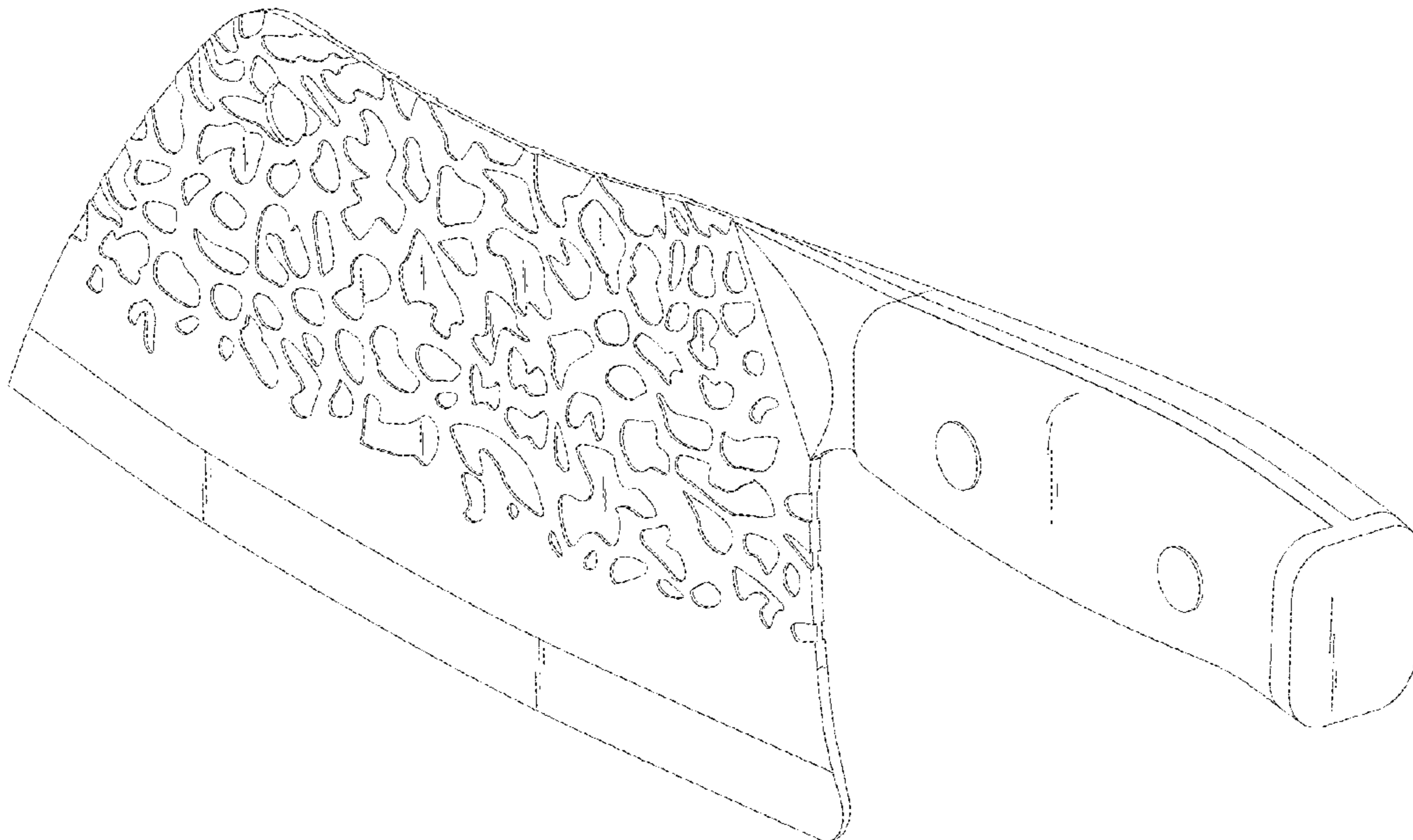
(57) **CLAIM**

The ornamental design for a hammer pattern chopping knife, as shown and described.

**DESCRIPTION**

FIG. 1 is a perspective view of a hammer pattern chopping knife showing my new design;  
FIG. 2 is a top view thereof;  
FIG. 3 is a left side view thereof;  
FIG. 4 is a front view thereof;  
FIG. 5 is a right side view thereof;  
FIG. 6 is a back view thereof; and,  
FIG. 7 is a bottom view thereof.

**1 Claim, 7 Drawing Sheets**



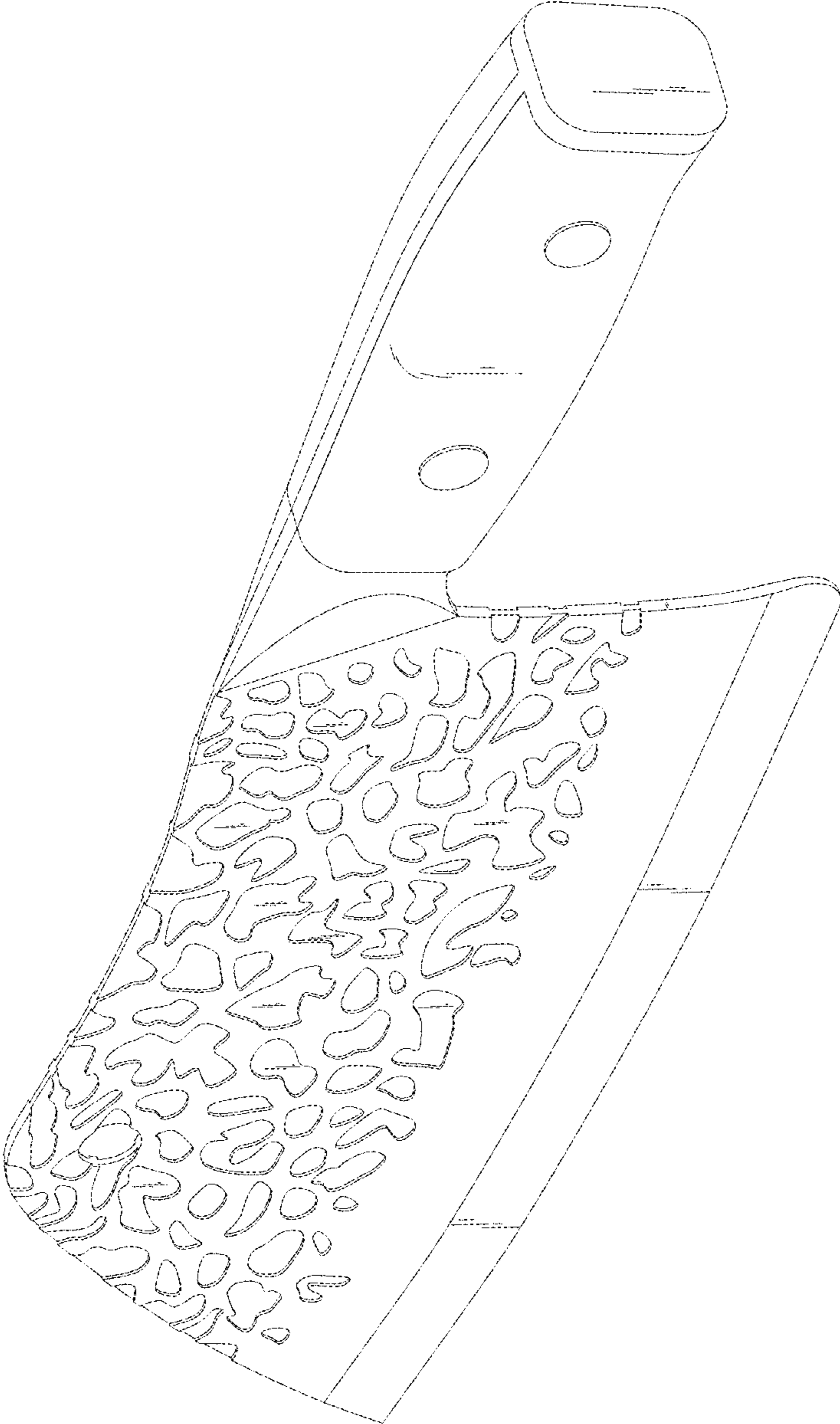


FIG. 1

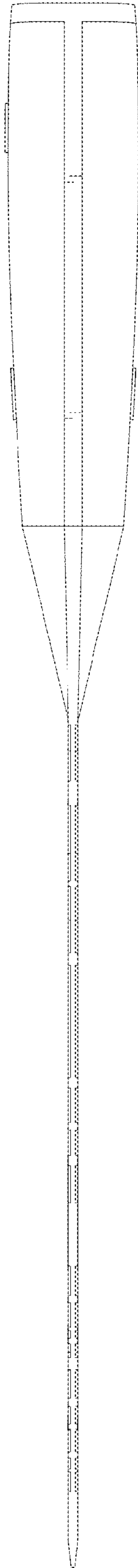


FIG. 2

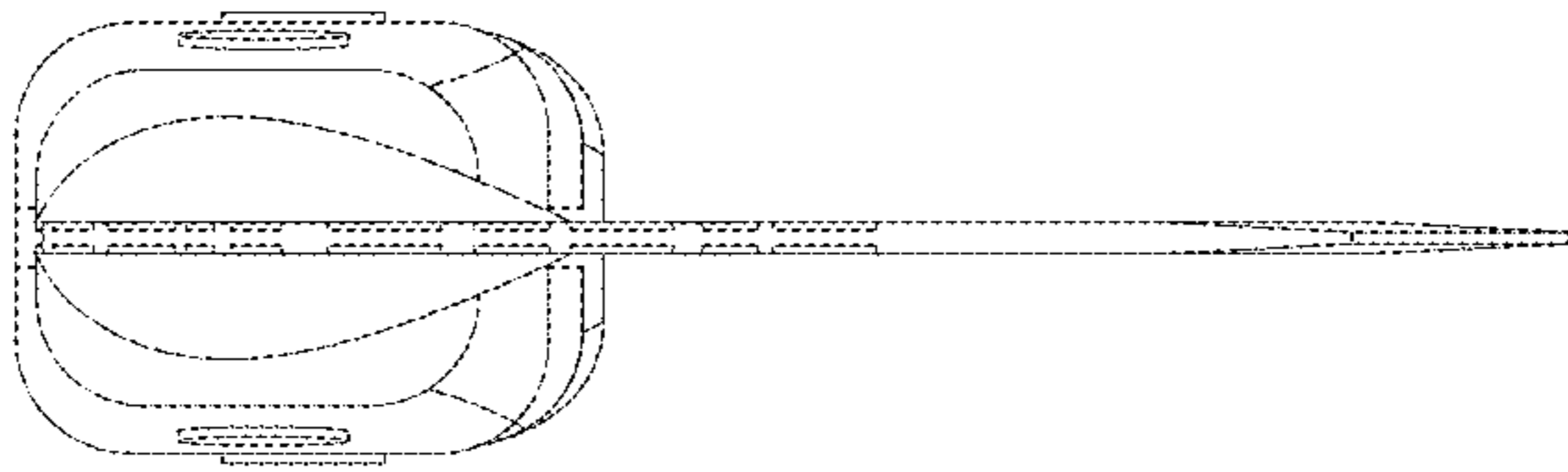


FIG. 3

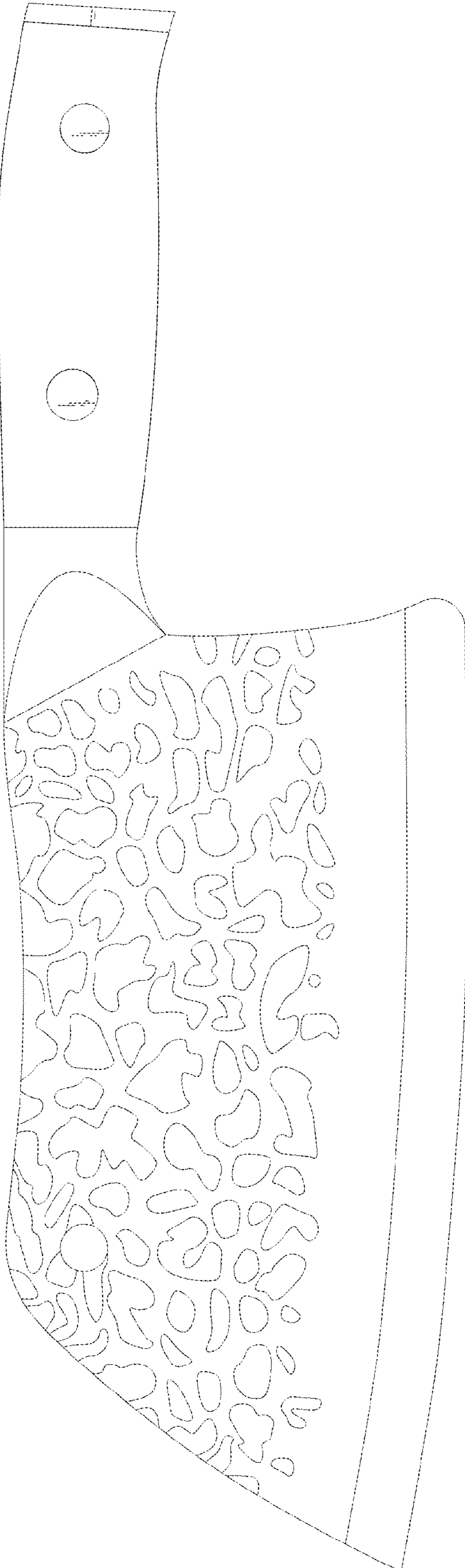


FIG. 4

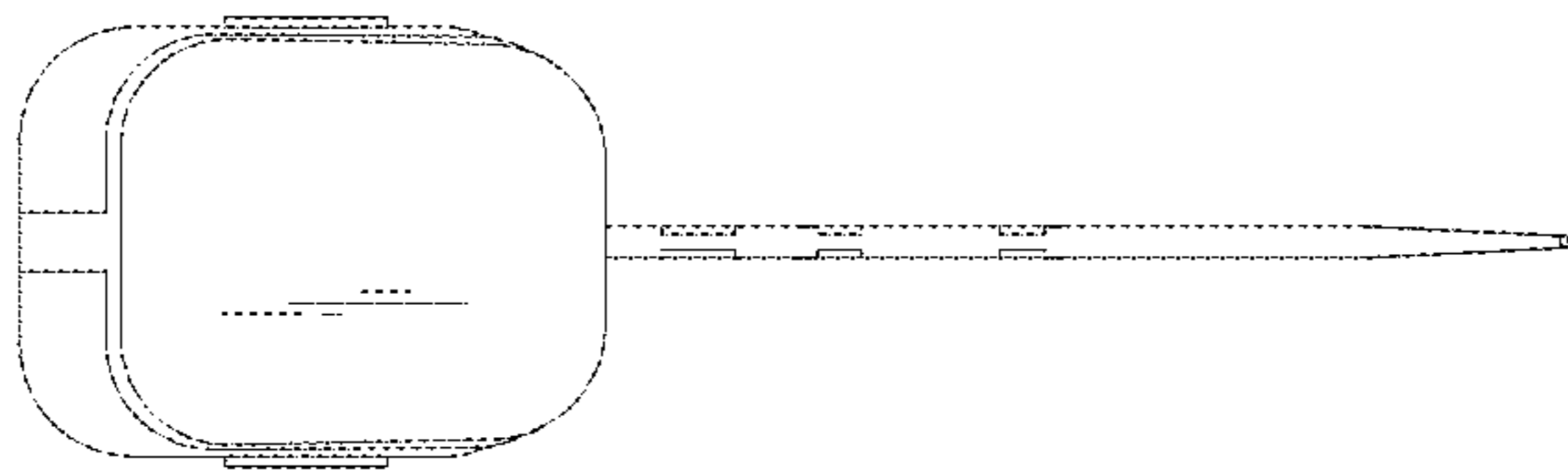


FIG. 5



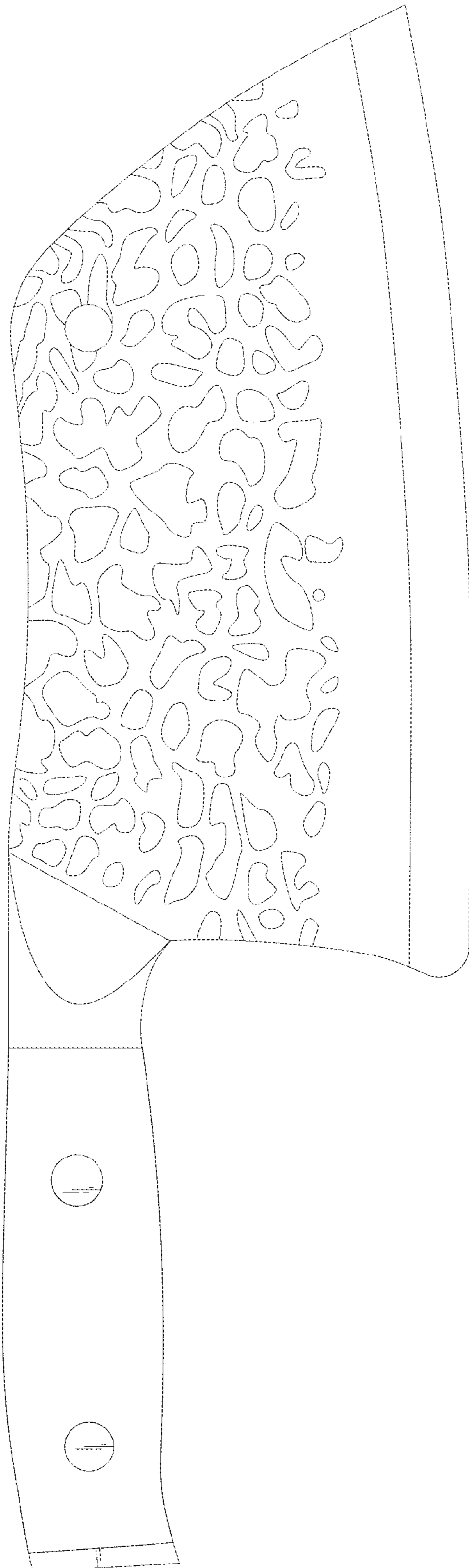


FIG. 6

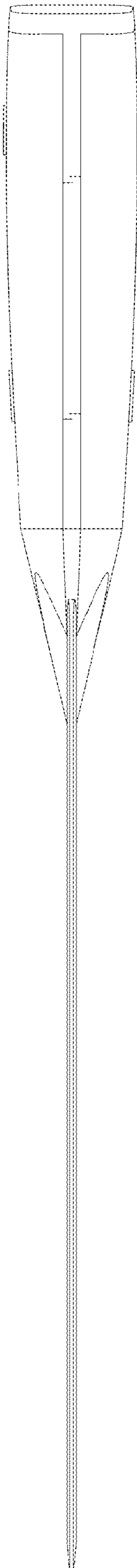


FIG. 7