



US00D953819S

(12) **United States Design Patent**
Liu

(10) **Patent No.:** **US D953,819 S**
(45) **Date of Patent:** **** Jun. 7, 2022**

(54) **MALLEOLAR STRIA THE CHEF KNIFE**

(71) Applicant: **Chuanwang Liu, Hengdong (CN)**

(72) Inventor: **Chuanwang Liu, Hengdong (CN)**

(**) Term: **15 Years**

(21) Appl. No.: **29/797,275**

(22) Filed: **Jun. 30, 2021**

(51) **LOC (13) Cl.** **07-03**

(52) **U.S. Cl.**

USPC **D7/649; D7/401.2**

(58) **Field of Classification Search**

USPC D7/393-395, 401.2, 642-652, 693,
D7/695-696; D8/80, 93, 97-100, 107,
D8/300, 321; D22/117-118

CPC A01B 1/20; A01B 1/22; A22C 25/006;
A47G 21/06; A47G 21/065; A61B
17/3211; A61B 17/3213; B21D 53/64;
B25G 3/36; B25G 1/102; B26B 1/00;
B26B 1/08; B26B 1/10; B26B 3/00;
B26B 3/02; B26B 3/03; B26B 3/04;
B26B 3/06; B26B 5/00; B26B 5/001;
B26B 5/007; B26B 7/00; B26B 7/005;
B26B 9/00; B26B 9/02; B26B 11/00;
B26B 11/006; B26B 17/00; B26B 17/006;
B26B 29/02

See application file for complete search history.

(56) **References Cited**

U.S. PATENT DOCUMENTS

D358,968 S * 6/1995 Hirai D7/649
5,528,834 A * 6/1996 Seber B26B 3/06
30/340
D535,539 S * 1/2007 Chen D8/80
D547,135 S 7/2007 Hasegawa

D579,731 S * 11/2008 Ono D7/649
D592,033 S * 5/2009 Bloch D22/118
D658,455 S * 5/2012 Wang D7/649
D849,476 S 5/2019 Heine et al.
D896,594 S 9/2020 Tarrerias
D920,056 S * 5/2021 Chen D7/649
D931,971 S * 9/2021 Wu D7/649
2010/0212166 A1 * 8/2010 Visnack B26B 9/00
30/346
2017/0341244 A1 * 11/2017 Chen B26B 3/02

OTHER PUBLICATIONS

Dalstrong Nakiri Vegetable Knife. Date First Available on Amazon.com Jul. 21, 2016. <https://www.amazon.com/dp/B01ISS02YY/ref> (Year: 2016).*

Freelander Hand Forged Meat Cleaver. Date First Available on Amazon.com Aug. 24, 2020. <https://www.amazon.com/Cleaver-Kitchen-Leather-Outdoor-Hammered/dp/B08GK5SN8M/ref> (Year: 2020).*

* cited by examiner

Primary Examiner — Ricky Pham

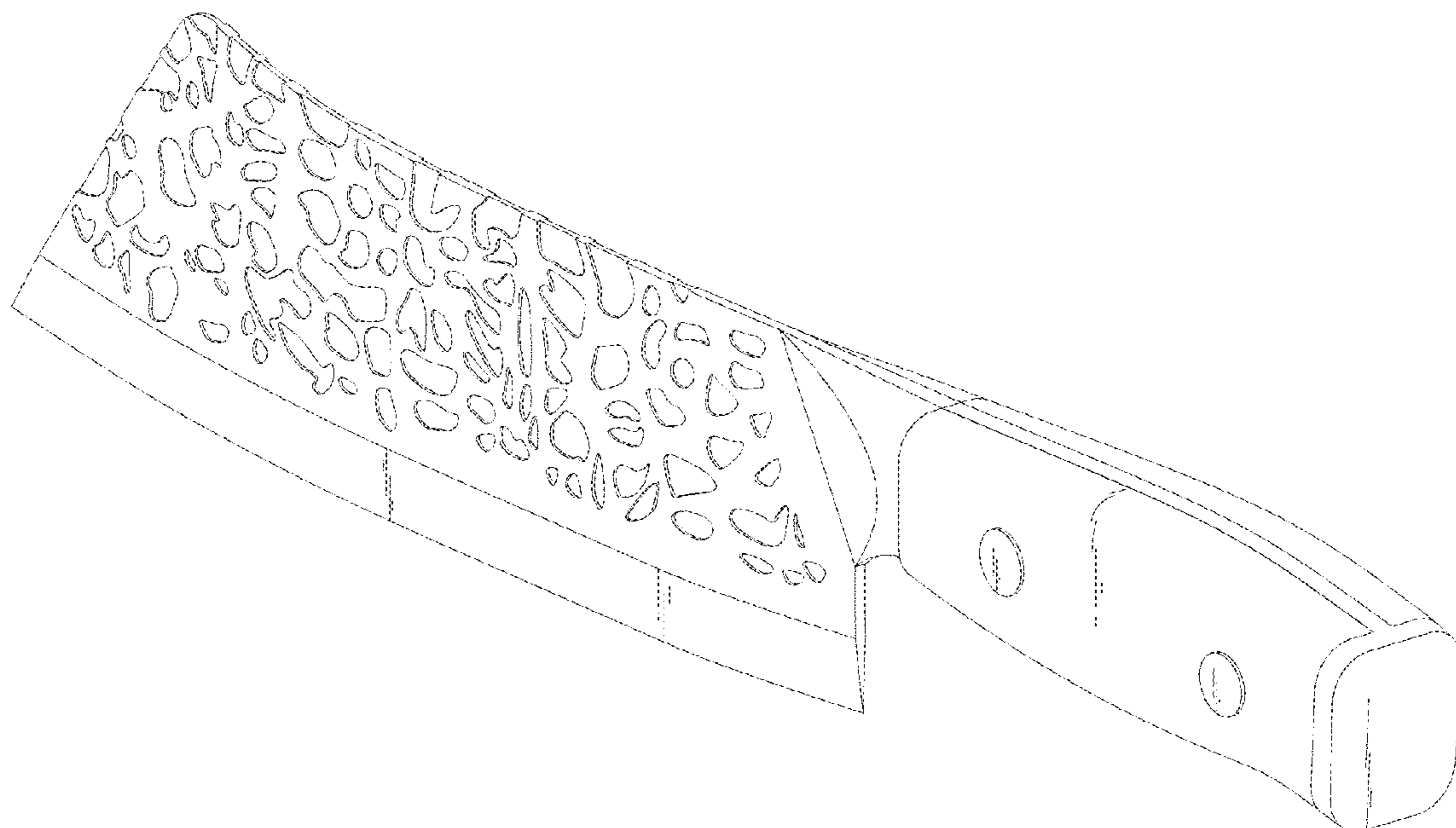
(57) **CLAIM**

The ornamental design for a malleolar stria the chef knife, as shown and described.

DESCRIPTION

FIG. 1 is a perspective view of a malleolar stria the chef knife showing my new design;
FIG. 2 is a top view thereof;
FIG. 3 is a left side view thereof;
FIG. 4 is a front view thereof;
FIG. 5 is a right side view thereof;
FIG. 6 is a back view thereof; and,
FIG. 7 is a bottom view thereof.

1 Claim, 7 Drawing Sheets



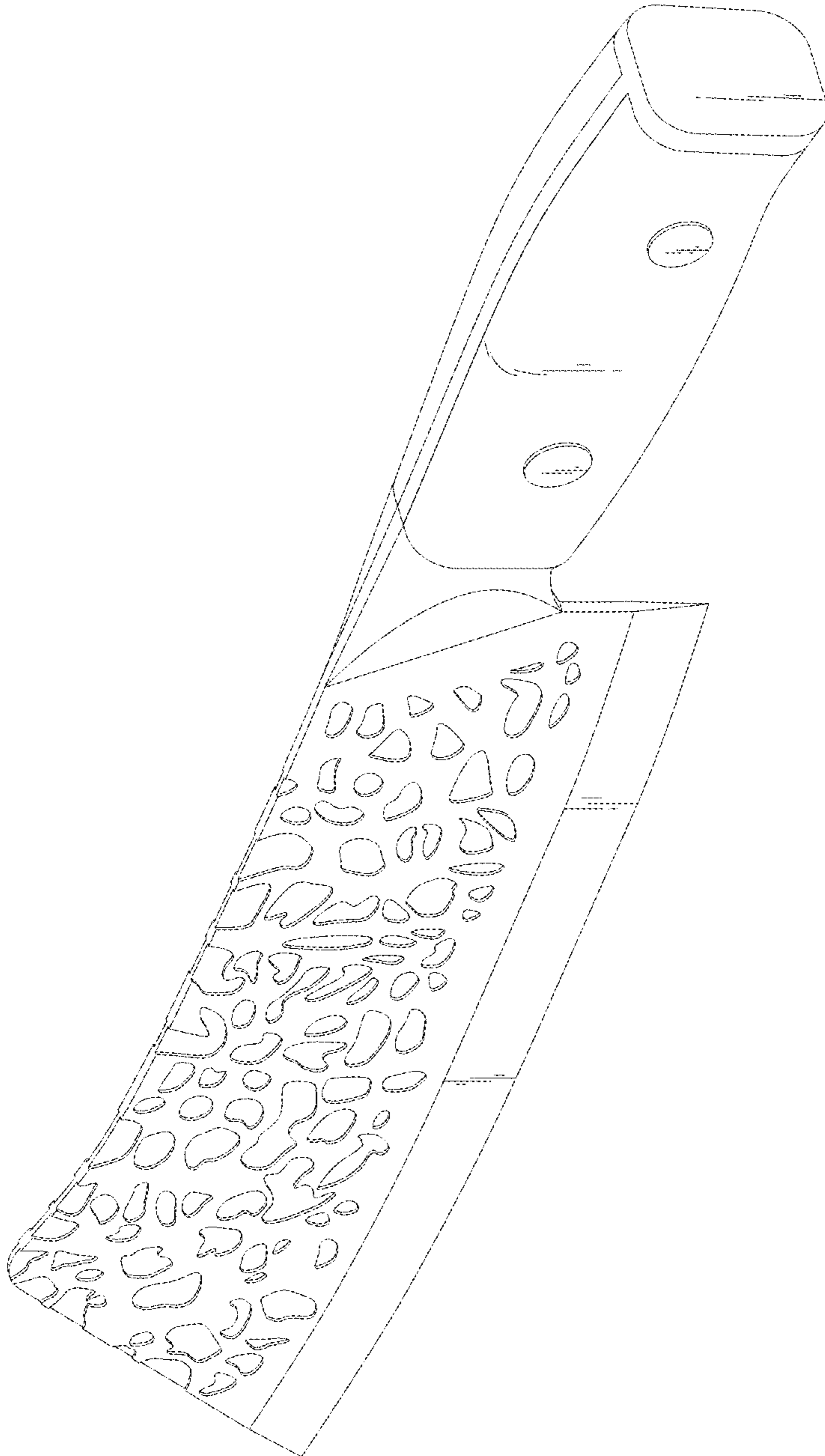


FIG. 1

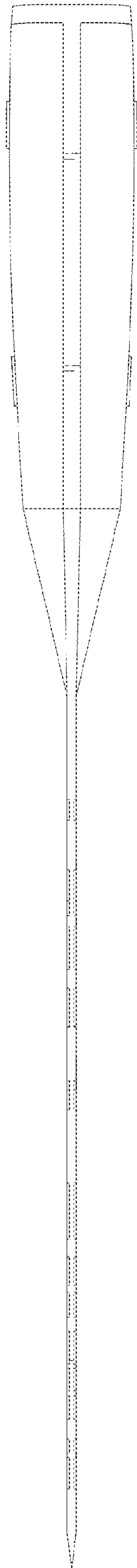


FIG. 2

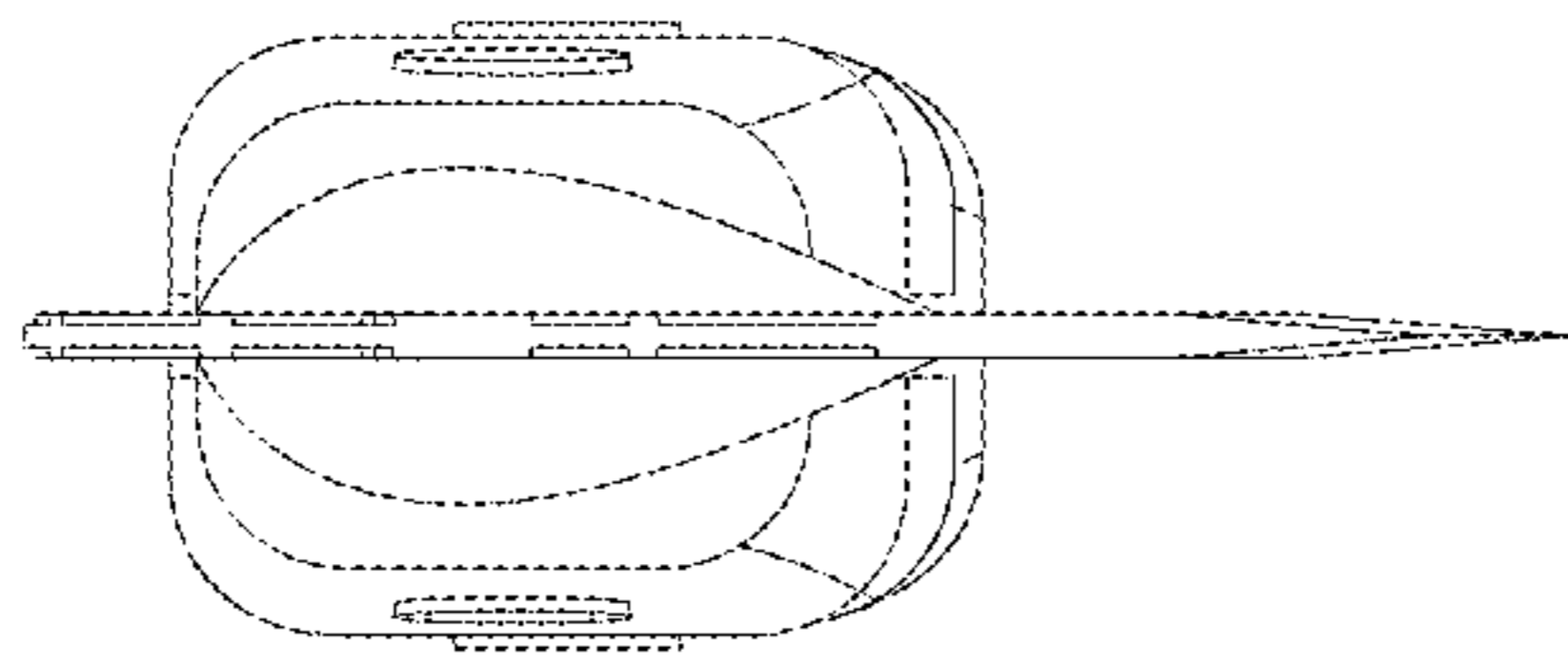


FIG. 3

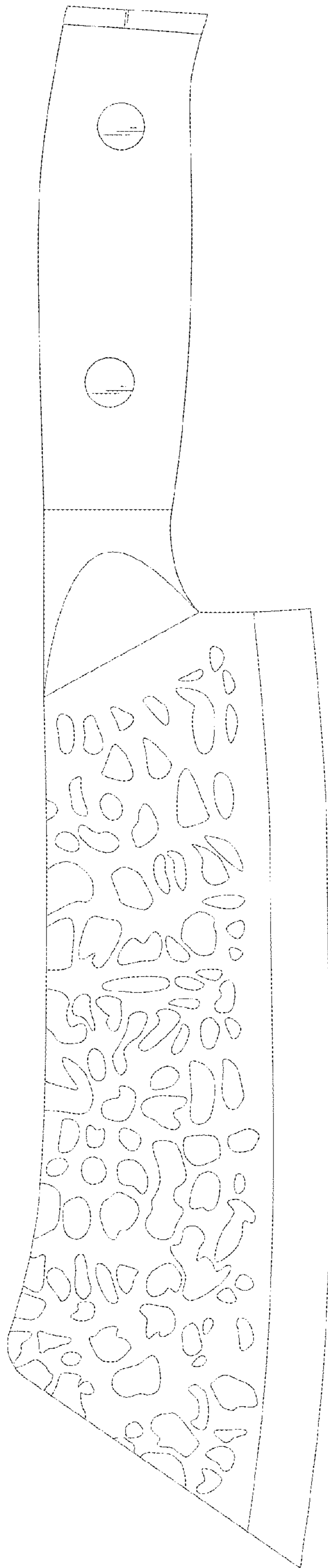


FIG. 4

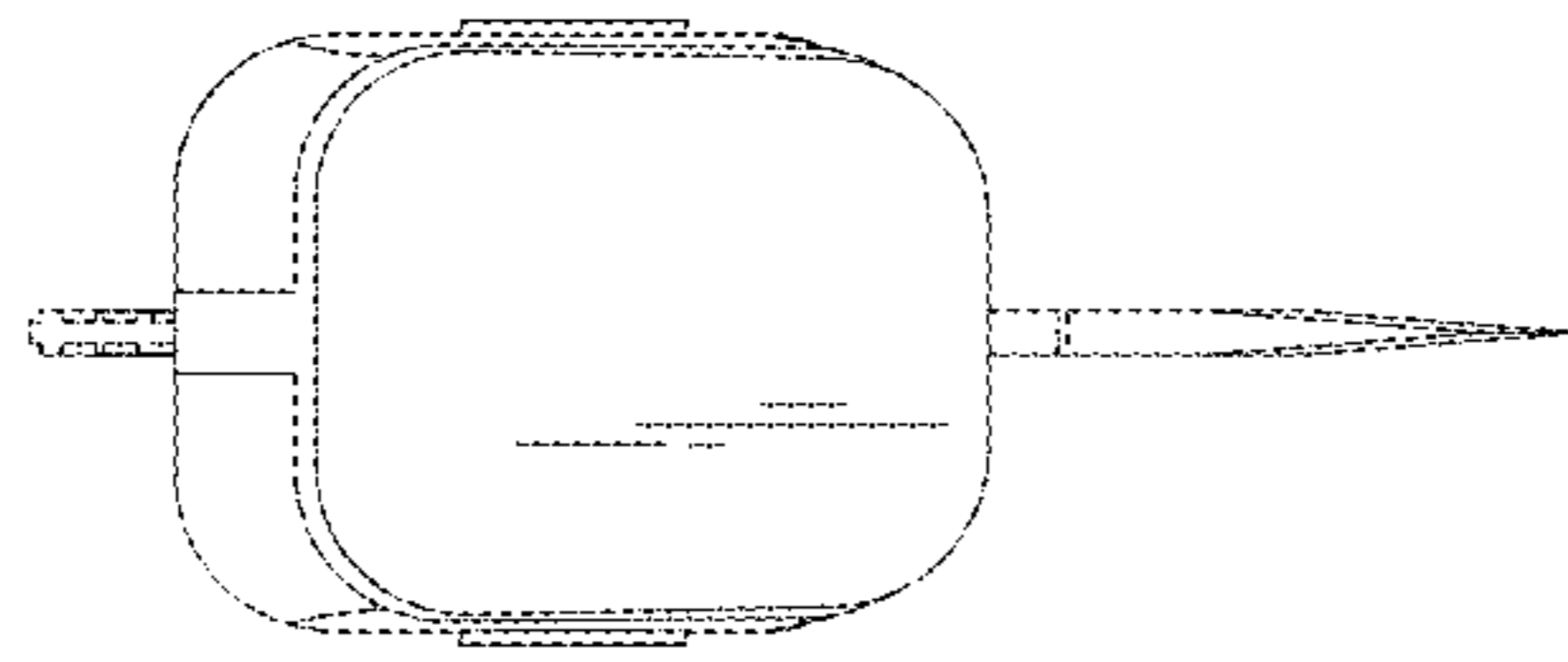


FIG. 5

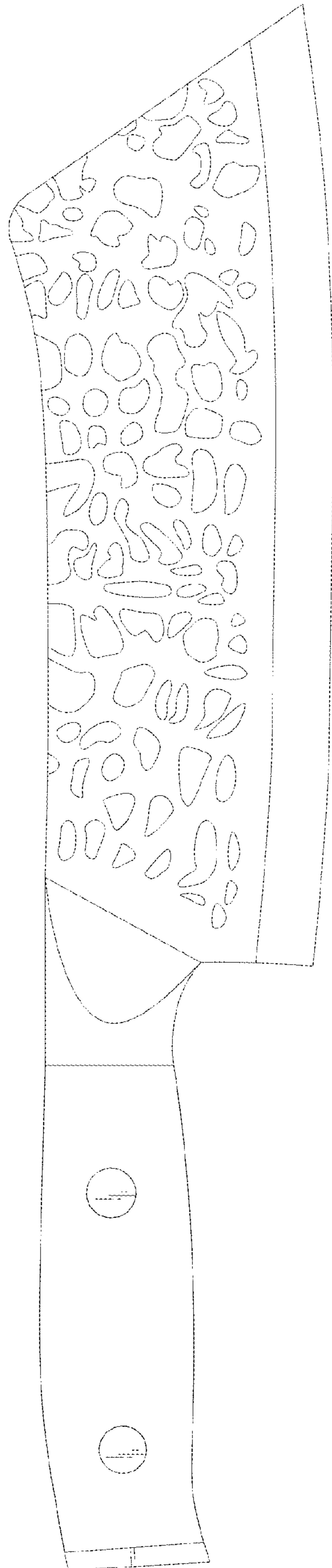


FIG. 6

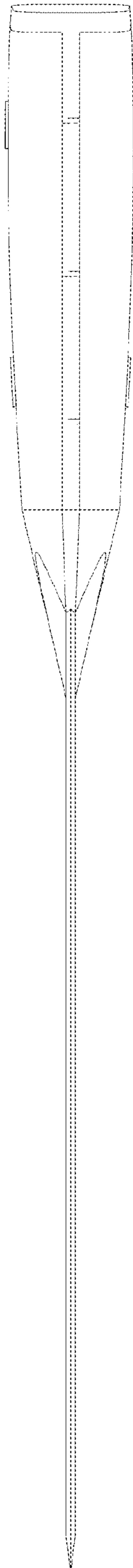


FIG. 7