



US00D953818S

(12) **United States Design Patent**  
**Turner**

(10) **Patent No.:** **US D953,818 S**

(45) **Date of Patent:** **\*\* Jun. 7, 2022**

(54) **KNIFE**

(71) Applicant: **Dale Turner**, Vinton, VA (US)

(72) Inventor: **Dale Turner**, Vinton, VA (US)

(\*\*) Term: **15 Years**

(21) Appl. No.: **29/767,471**

(22) Filed: **Jan. 22, 2021**

(51) **LOC (13) Cl.** ..... **07-03**

(52) **U.S. Cl.**  
USPC ..... **D7/649**

(58) **Field of Classification Search**  
USPC ..... D7/393–395, 401.2, 642–652, 693,  
D7/695–696; D8/34, 93, 97–100, 107,  
D8/300, 321; D22/117–118  
CPC ..... A01B 1/20; A01B 1/22; A22C 25/006;  
A47G 21/045; A47G 21/06; A47G  
21/065; A61B 17/3211; A61B 17/3213;  
B21D 53/64; B25G 3/36; B25G 1/102;  
B26B 1/00; B26B 1/02; B26B 1/08;  
B26B 1/10; B26B 3/00; B26B 3/02;  
B26B 3/03; B26B 3/04; B26B 3/06;  
B26B 3/08; B26B 5/00; B26B 5/001;  
B26B 5/007; B26B 7/00; B26B 7/005;  
B26B 9/00; B26B 9/02; B26B 11/00;  
B26B 11/006; B26B 17/00; B26B 17/006;  
B26B 29/02; A24C 1/04  
See application file for complete search history.

(56) **References Cited**

U.S. PATENT DOCUMENTS

1,414,098 A \* 4/1922 Santana ..... A24C 1/04  
30/315

D144,225 S \* 3/1946 Trague ..... D7/693

D150,920 S \* 9/1948 Besozzi ..... D7/693

D151,026 S \* 9/1948 Besozzi ..... D7/693

4,574,479 A \* 3/1986 Gramann ..... B26B 3/00  
7/113

D352,426 S \* 11/1994 Tucker ..... D7/696

5,581,895 A \* 12/1996 Jeffcoat ..... B26B 1/02  
30/294

D457,790 S \* 5/2002 Wang ..... D7/696

D612,694 S \* 3/2010 Eide ..... D7/693

D662,787 S \* 7/2012 Holmes ..... D7/649

D736,576 S \* 8/2015 Parr ..... D7/693

D938,245 S \* 12/2021 Cauley, Jr. .... D8/98

2021/0008737 A1 \* 1/2021 Cauley, Jr. .... B26B 11/006

**OTHER PUBLICATIONS**

Poshland Store Steel Ulu kitchen Knife. Date First Available on Amazon.com Feb. 11, 2015. [https://www.amazon.com/RK-TTC-110-Handmade-Stainless-Steel-kitchen/dp/B00TH2P4HG/ref\(Year:2015\).](https://www.amazon.com/RK-TTC-110-Handmade-Stainless-Steel-kitchen/dp/B00TH2P4HG/ref(Year:2015).)\*

\* cited by examiner

*Primary Examiner* — Ricky Pham  
(74) *Attorney, Agent, or Firm* — Craig A. Fieschko, Esq.; DeWitt LLP

(57) **CLAIM**

I claim the ornamental design for a knife, as shown and described.

**DESCRIPTION**

FIG. 1 is a perspective view of the knife depicting portions of the top, right, and rear sides of the knife;  
 FIG. 2 is a perspective view depicting portions of the bottom, left, and front sides of the knife;  
 FIG. 3 is a bottom plan view of the knife;  
 FIG. 4 is a top plan view of the knife;  
 FIG. 5 is a right side elevational view of the knife, the left elevational view being a mirror image thereof; and,  
 FIG. 6 is a front side elevational view of the knife, the rear side elevational view being a mirror image thereof.  
 The holes in the blade of the knife, and the fasteners affixing the blade to the knife handle, all depicted in broken lines, are not part of the claimed design.

**1 Claim, 3 Drawing Sheets**

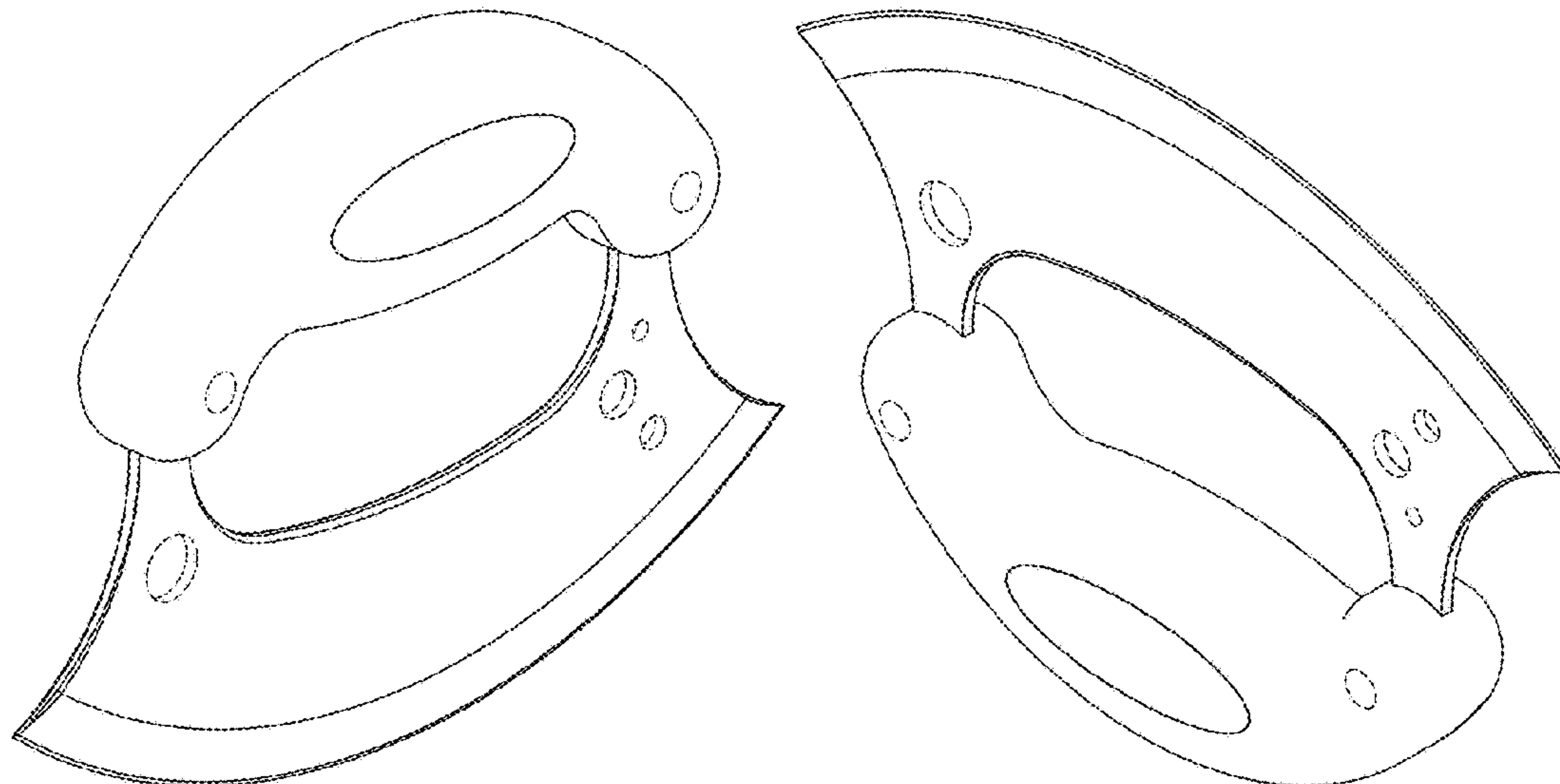


FIG. 1

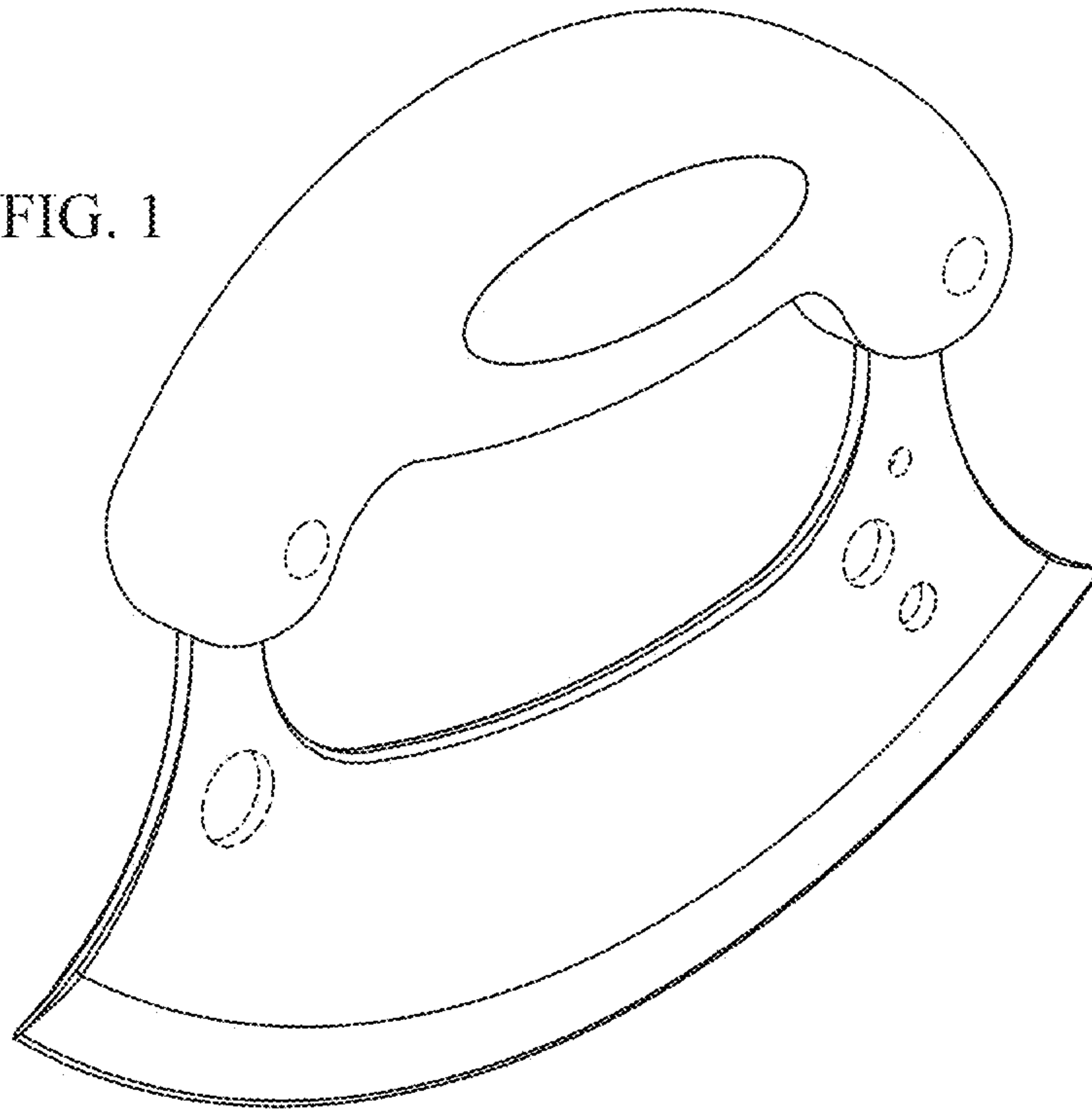


FIG. 2

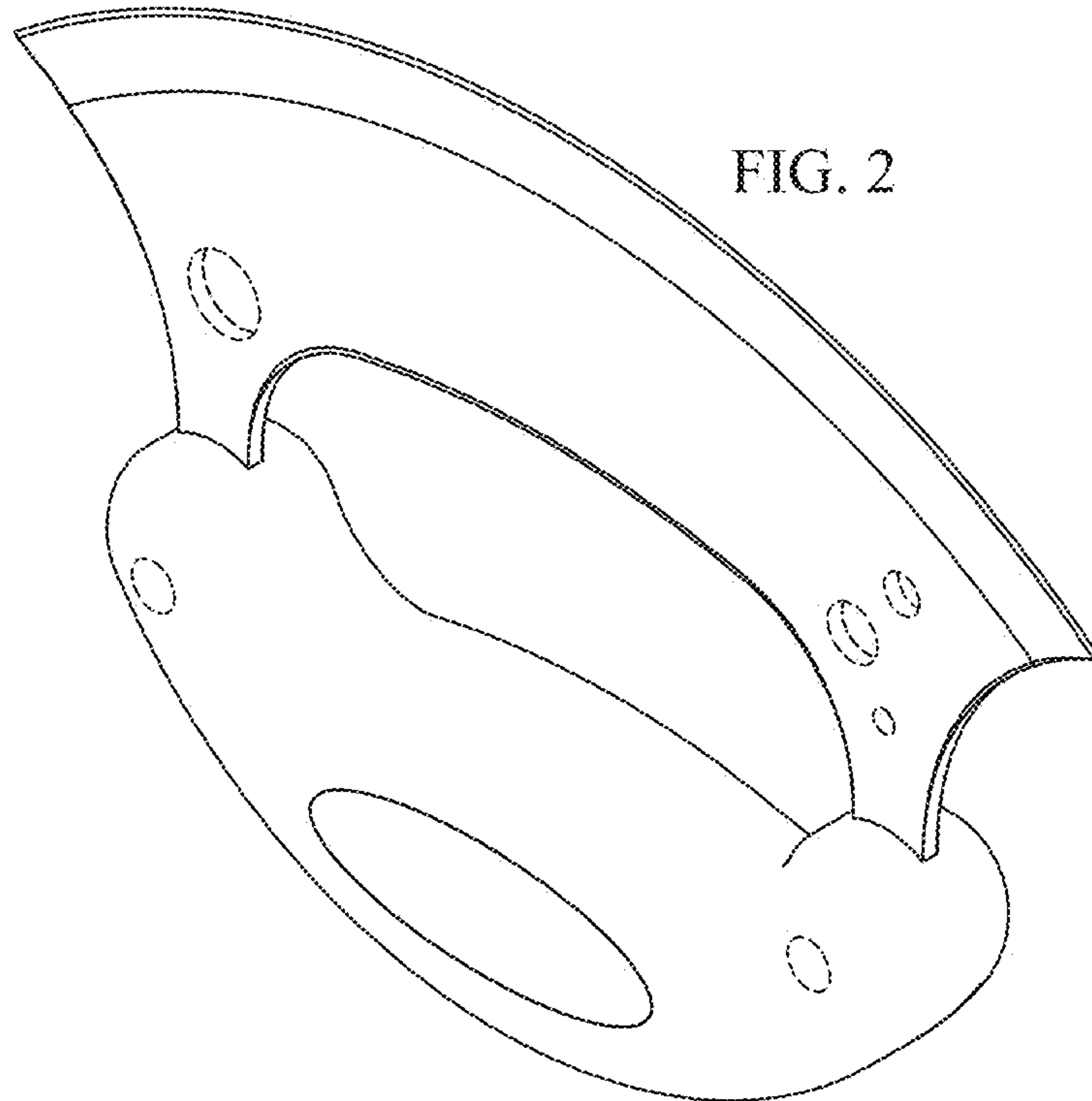


FIG. 3

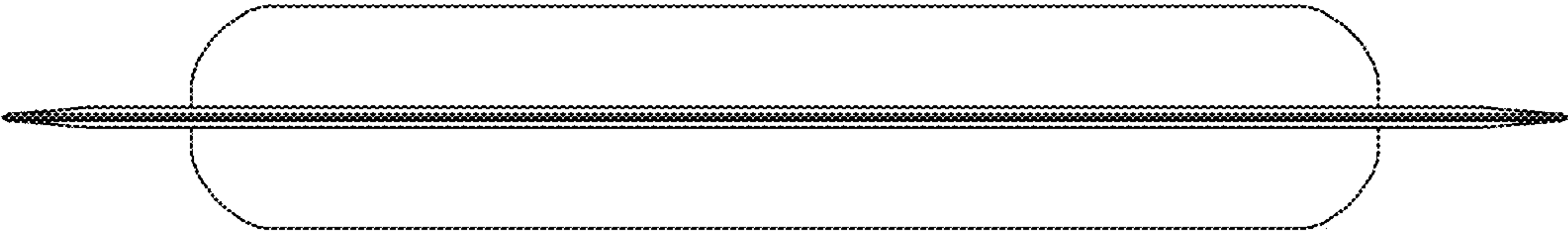


FIG. 4

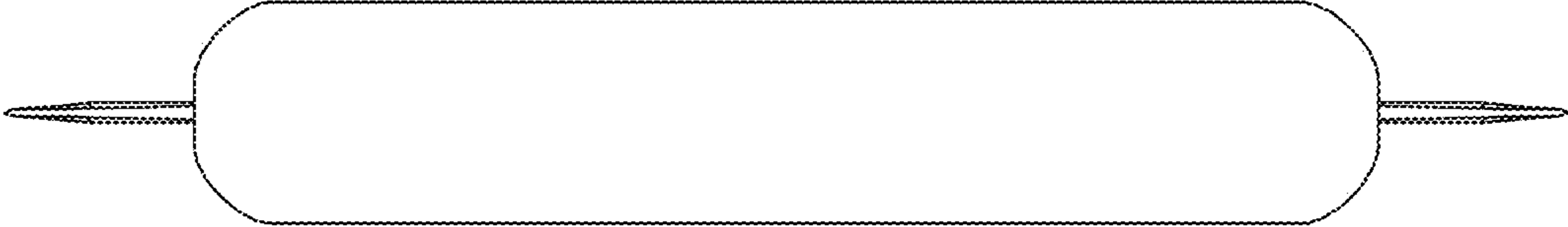


FIG. 5

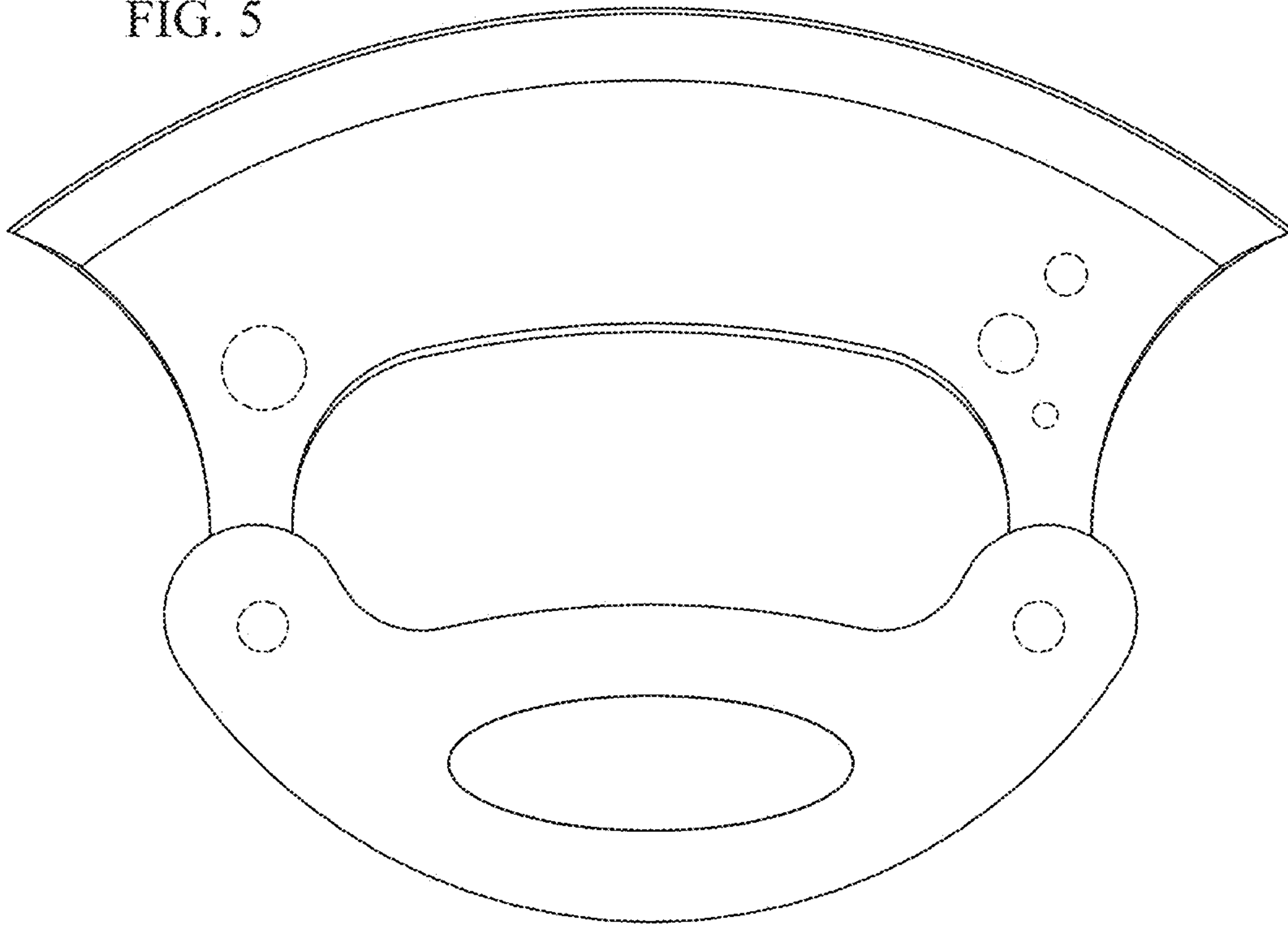


FIG. 6

