



US00D953816S

(12) **United States Design Patent**
Lin et al.

(10) **Patent No.:** **US D953,816 S**
(45) **Date of Patent:** **** Jun. 7, 2022**

(54) **BOWL AND LID ASSEMBLY**

DESCRIPTION

(71) Applicant: **Olababy Incorporated**, Hillsboro, OR (US)
(72) Inventors: **Qiao Lin**, Bellevue, WA (US); **Paul Wang**, Portland, OR (US)
(73) Assignee: **Olababy Incorporated**, Beaverton, OR (US)
(**) Term: **15 Years**
(21) Appl. No.: **29/727,002**
(22) Filed: **Mar. 6, 2020**
(51) **LOC (13) Cl.** **07-07**
(52) **U.S. Cl.**
USPC **D7/608**
(58) **Field of Classification Search**
USPC D7/300, 392, 500, 505, 507, 509, 510, D7/511, 538, 587, 601, 602, 605, 608, D7/629
CPC A47J 41/00; A47J 41/0072; A47J 41/02; A47J 43/00; A47J 47/00; A47J 47/02; A47J 47/08; A47J 47/14; A47G 19/12; A47G 19/027; A47G 19/127; A47G 19/2288;

FIG. 1 is a front, top perspective view of a bowl and lid assembly, showing out new design;
FIG. 2 is an exploded view of the bowl and lid assembly of FIG. 1;
FIG. 3 is a back, top perspective view of the bowl and lid assembly of FIG. 1;
FIG. 4 is an exploded view of the bowl and lid assembly of FIG. 3;
FIG. 5 is a left side, top perspective view of the bowl and lid assembly of FIG. 1;
FIG. 6 is an exploded view of the bowl and lid assembly of FIG. 5;
FIG. 7 is a right side, top perspective view of the bowl and lid assembly of FIG. 1;
FIG. 8 is an exploded view of the bowl and lid assembly of FIG. 7;
FIG. 9 is a top view of the bowl and lid assembly of FIG. 1;
FIG. 10 is a bottom view of the bowl and lid assembly of FIG. 1;
FIG. 11 is a cross-sectional view of the bowl and lid assembly along the 7-7 line shown in FIG. 9;
FIG. 12 is a front elevation view of the bowl and lid assembly of FIG. 1;
FIG. 13 is a back elevation view of the bowl and lid assembly of FIG. 1;
FIG. 14 is a left side elevation view of the bowl and lid assembly of FIG. 1;
FIG. 15 is a right side elevation view of the bowl and lid assembly of FIG. 1;
FIG. 16 is a bottom view of the lid of the bowl and lid assembly of FIG. 1;
FIG. 17 is a bottom perspective view of the lid of the bowl and lid assembly of FIG. 1; and,
FIG. 18 is an exploded, bottom perspective view of the bowl and lid assembly of FIG. 1.
The broken lines depict cross-sectional view indicia, and form no part of the claimed design.

(Continued)

(56) **References Cited**

U.S. PATENT DOCUMENTS

D281,754 S * 12/1985 Trombly D7/540
D288,649 S * 3/1987 Daenen D7/586

(Continued)

Primary Examiner — Joseph Kukella

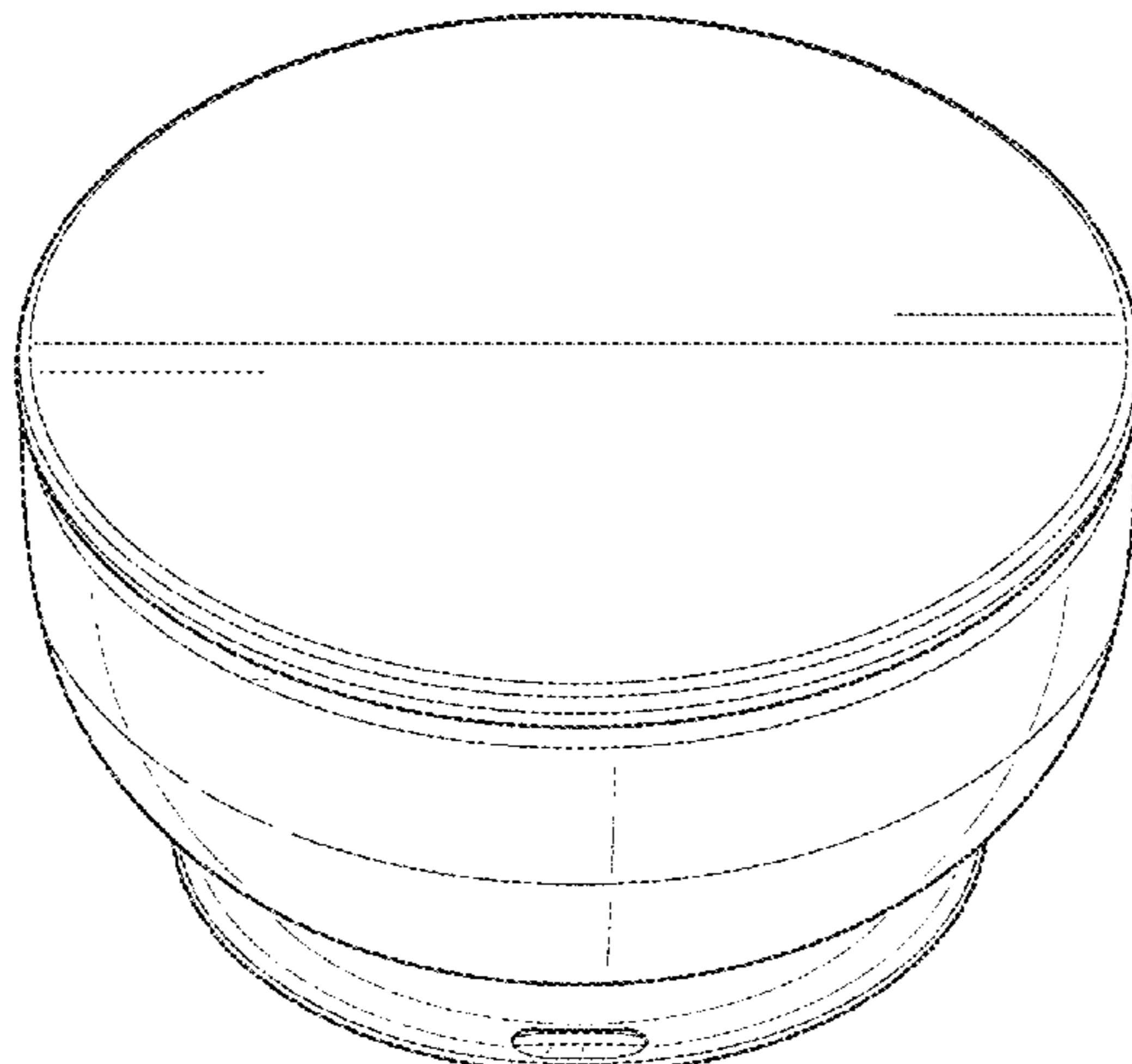
Assistant Examiner — Darryl J Dardenne

(74) *Attorney, Agent, or Firm* — Millburn IP PLLC

(57) **CLAIM**

The ornamental design for a bowl and lid assembly, as shown and described.

1 Claim, 18 Drawing Sheets



(58) **Field of Classification Search**

CPC A47G 19/285; A47G 23/0313; B65D 1/00;
 B65D 1/10; B65D 1/16; B65D 23/00;
 B65D 43/00; B65D 43/02; B65D 81/34;
 B65D 81/3837; B65D 81/3813; B65D
 2581/00

See application file for complete search history.

(56) **References Cited**

U.S. PATENT DOCUMENTS

D539,098 S * 3/2007 Tucker D7/542
 D565,907 S * 4/2008 de Groote D7/584
 D566,476 S * 4/2008 Freeman D7/586
 D566,483 S * 4/2008 Tucker D7/542
 D567,596 S * 4/2008 Chiang D7/629
 D575,113 S * 8/2008 Chiang D7/629
 D578,354 S * 10/2008 Chiang D7/589
 D582,218 S * 12/2008 Curtin D7/540

D606,813 S * 12/2009 Kim D7/629
 D613,127 S * 4/2010 Olivari D7/587
 D625,149 S * 10/2010 Stamper D7/538
 D657,252 S * 4/2012 Crapser D9/504
 D660,093 S * 5/2012 Kyung D7/629
 D684,017 S * 6/2013 Wong D7/629
 9,107,530 B1 * 8/2015 Rickabaugh A47J 19/005
 D749,371 S * 2/2016 Kolano D7/629
 D794,393 S * 8/2017 Karussi D7/538
 D794,394 S * 8/2017 Karussi D7/538
 D807,121 S * 1/2018 Mittal D7/587
 D911,112 S * 2/2021 Liao A47J 36/027
 D7/586
 2013/0098915 A1 * 4/2013 Del Solar B65D 51/00
 220/288
 2014/0291236 A1 * 10/2014 Thomas A47J 43/24
 210/482
 2018/0332984 A1 11/2018 Wang et al.
 2021/0068584 A1 * 3/2021 Cheng A47J 36/027

* cited by examiner

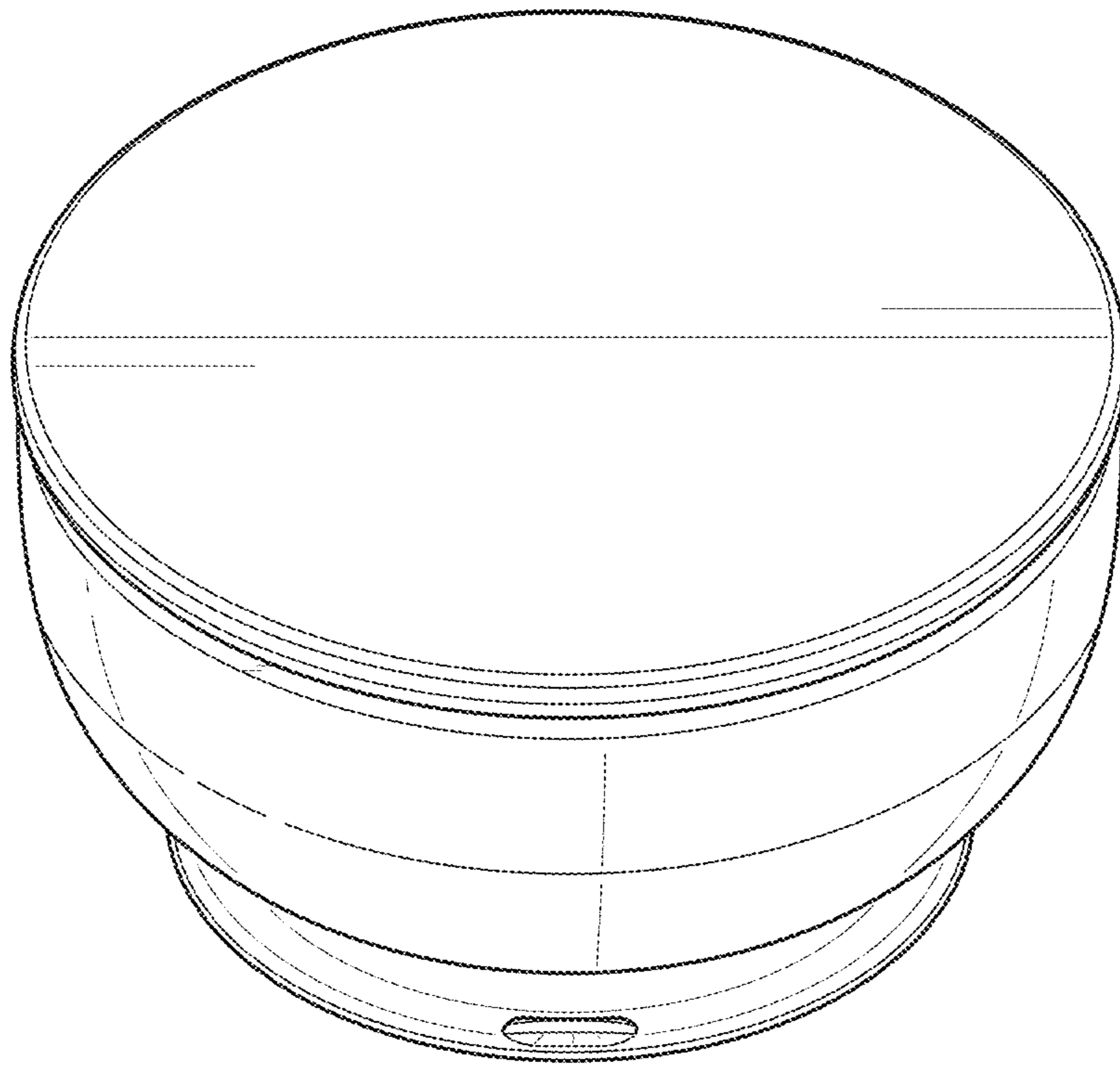


FIG. 1

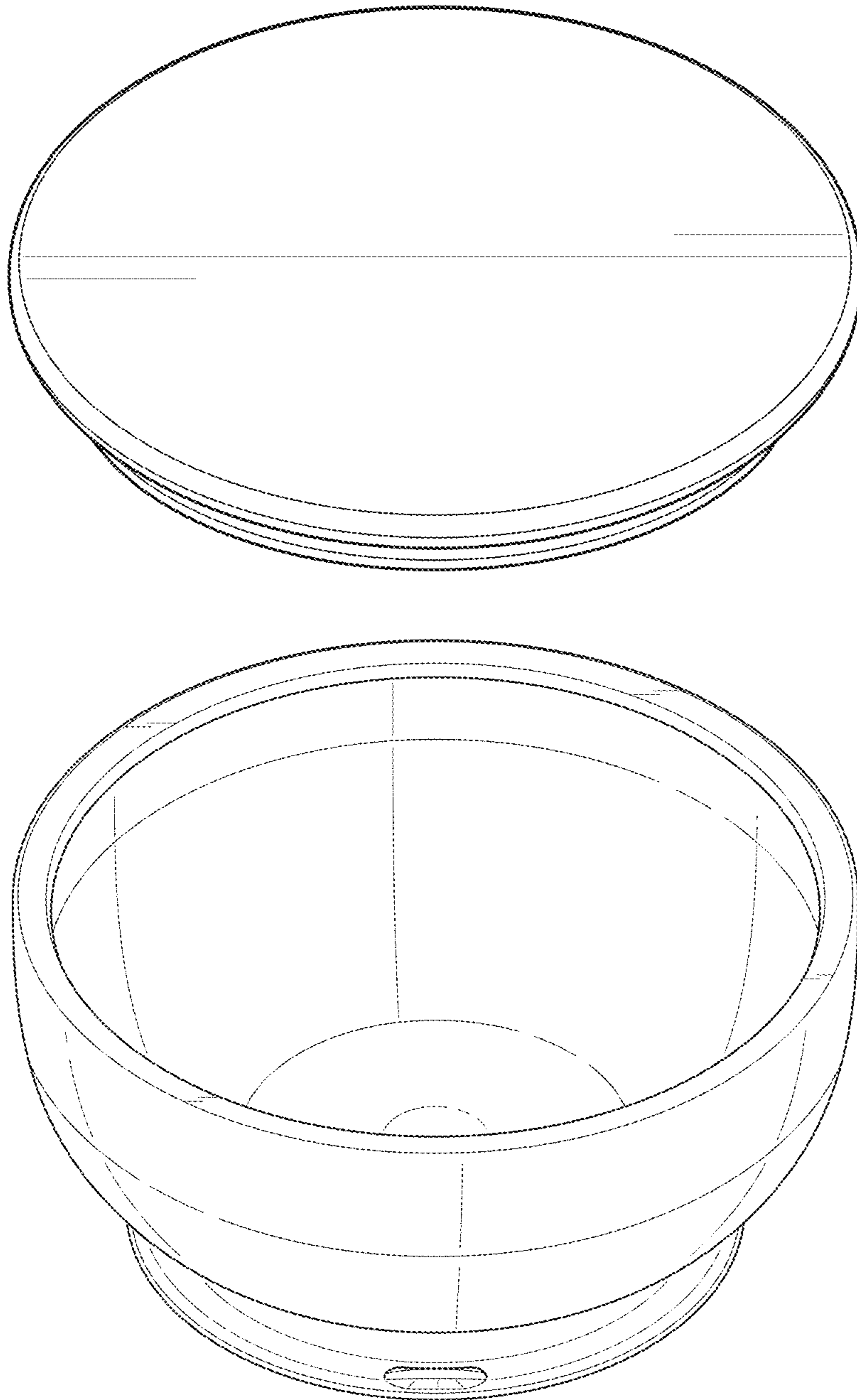


FIG. 2

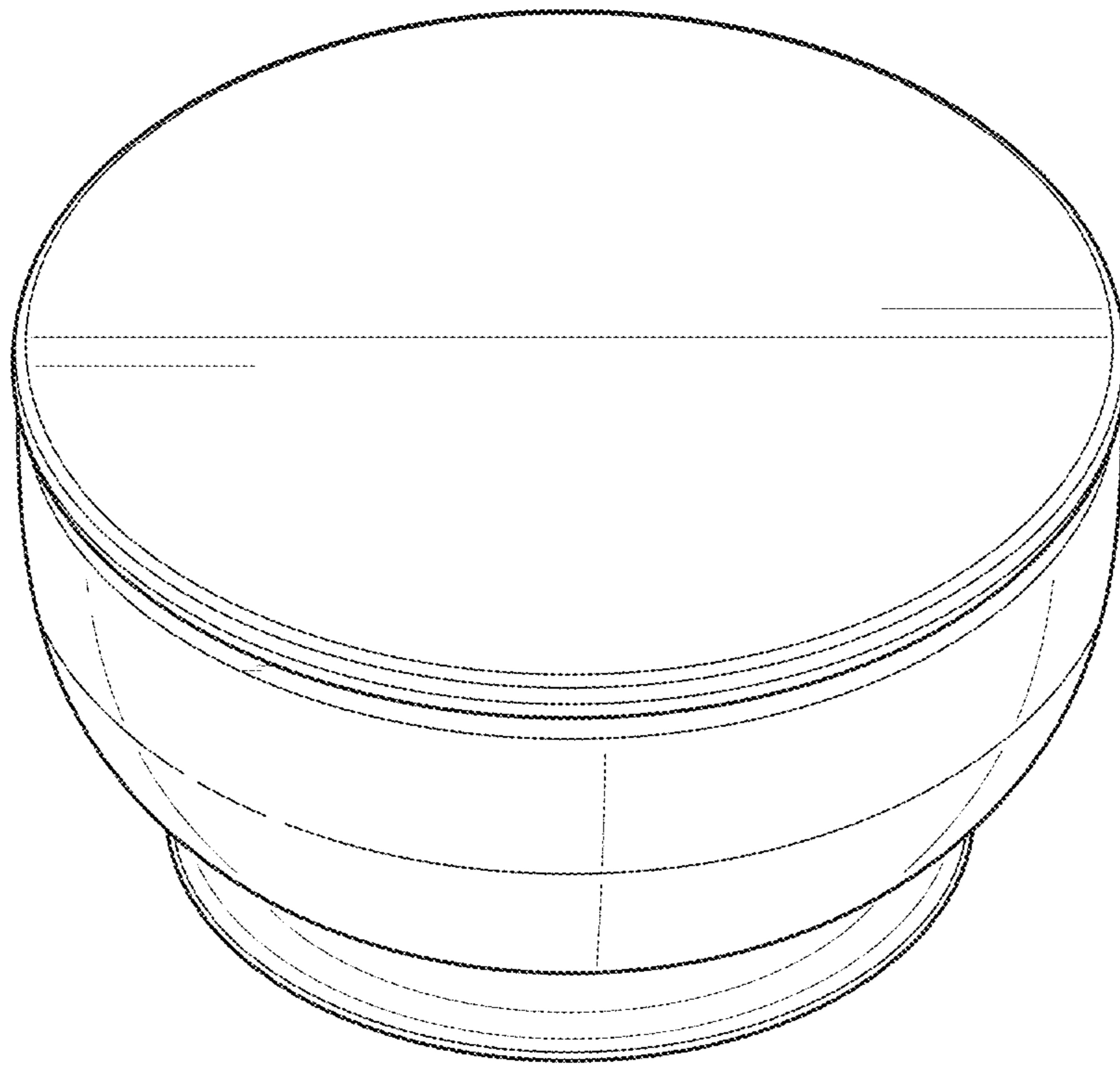


FIG. 3

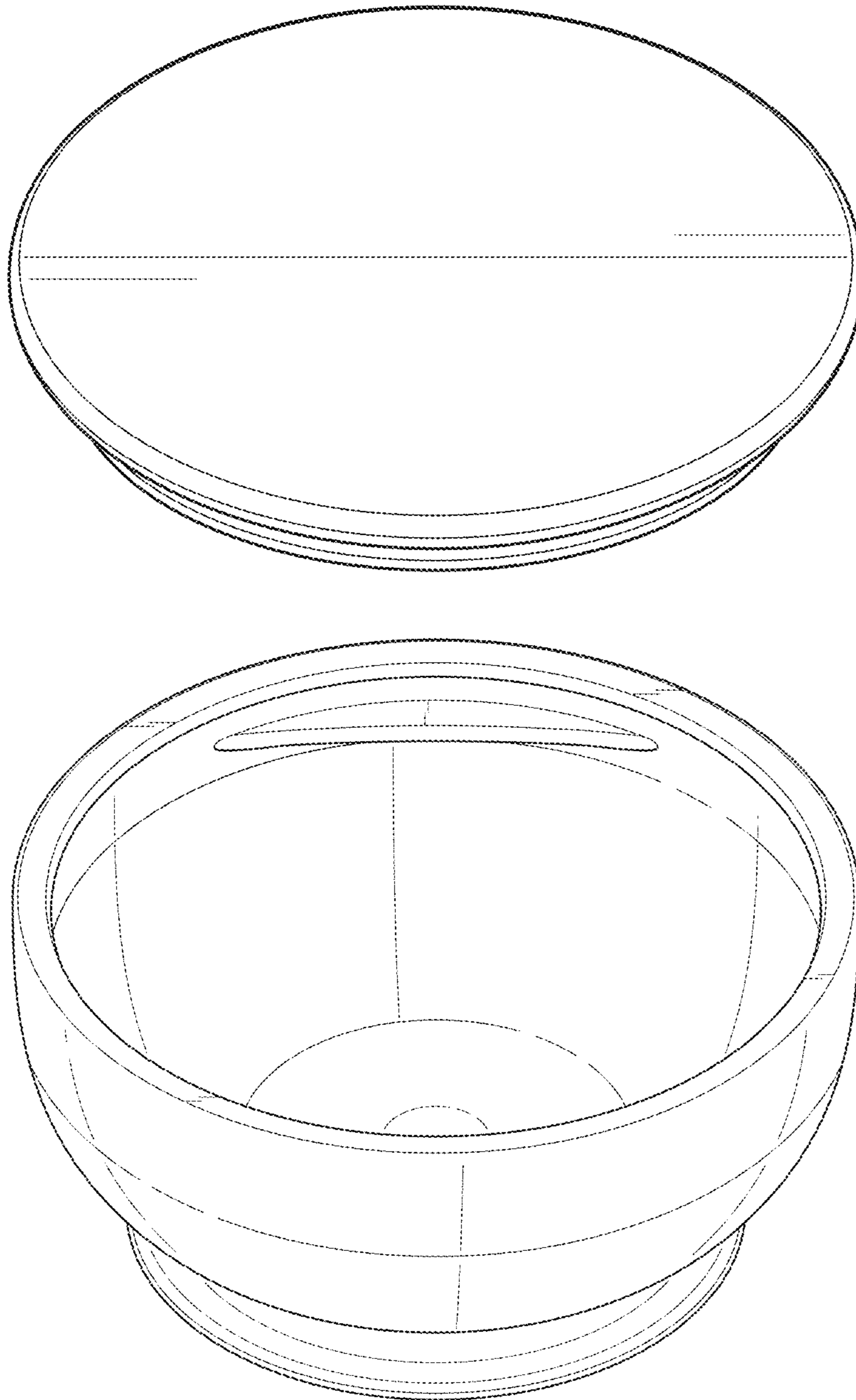


FIG. 4

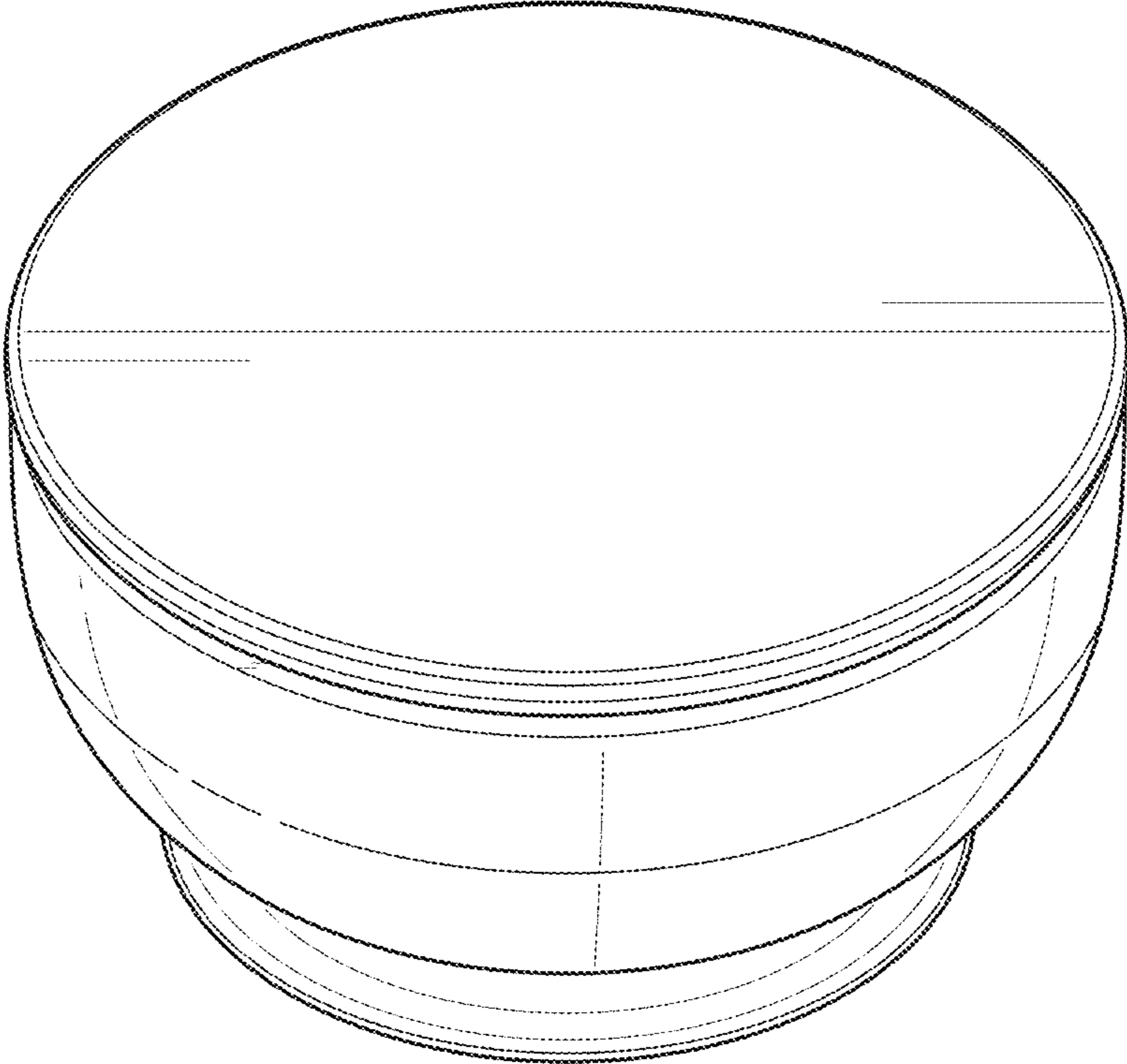


FIG. 5

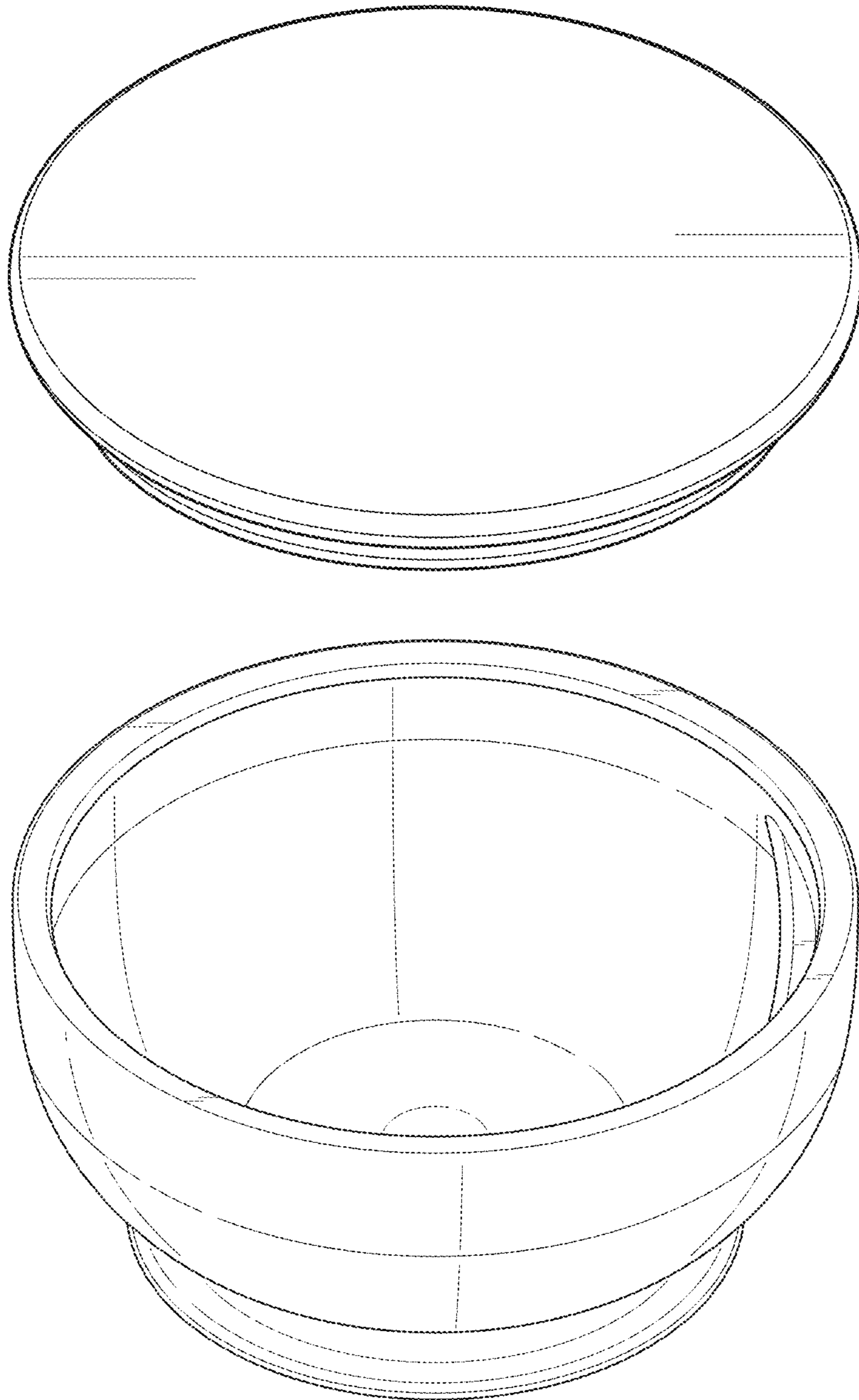


FIG.6

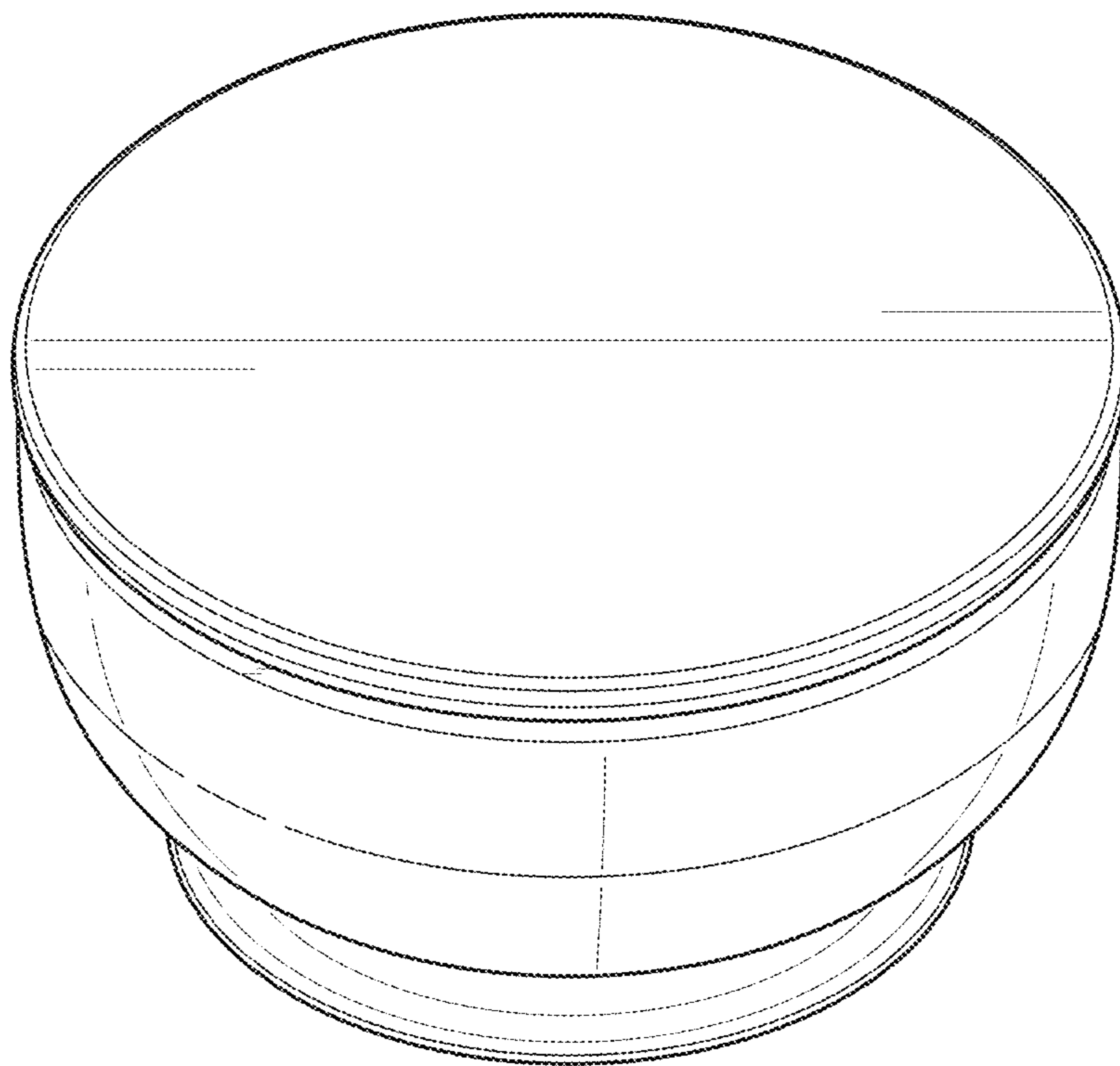


FIG. 7

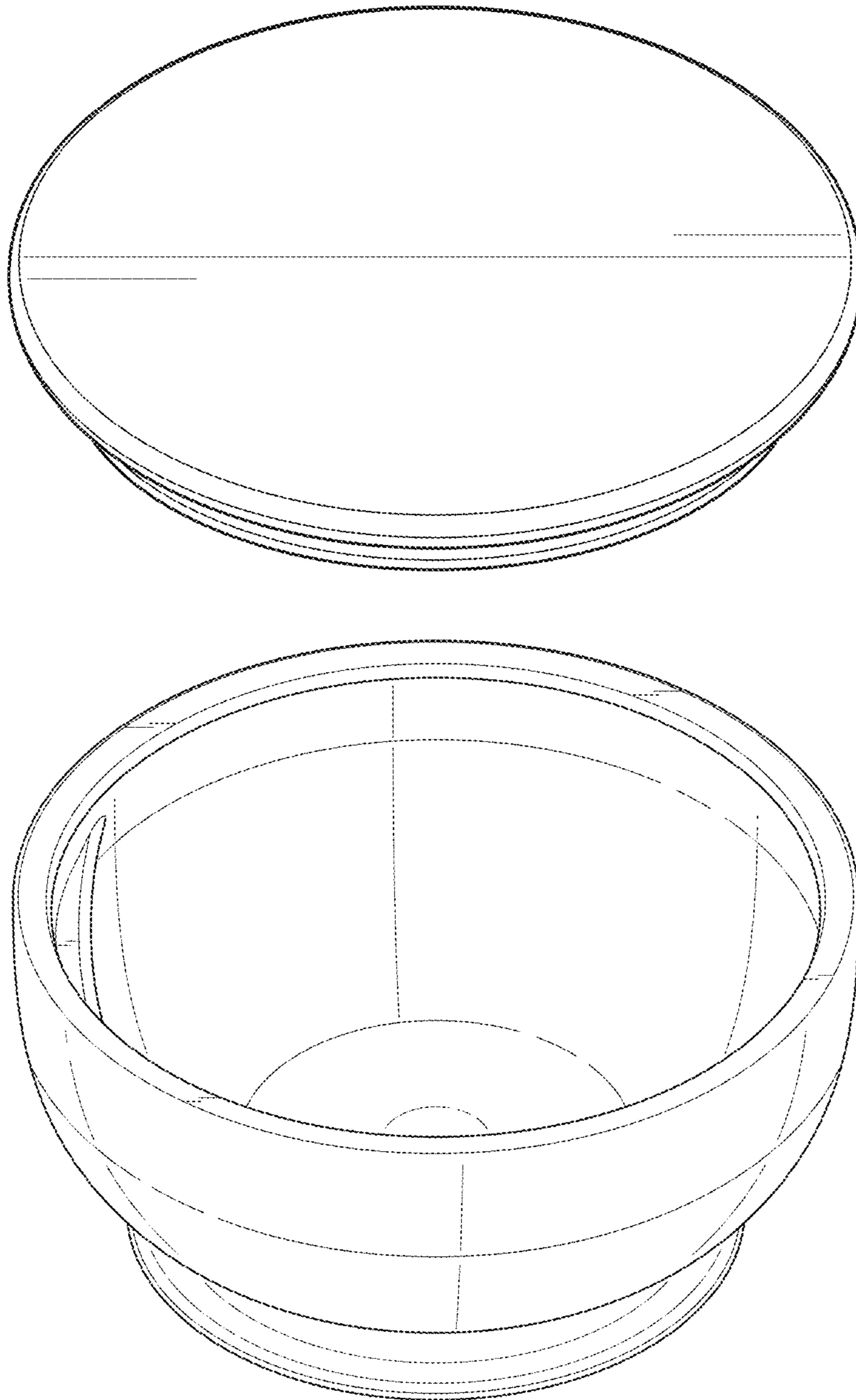


FIG. 8

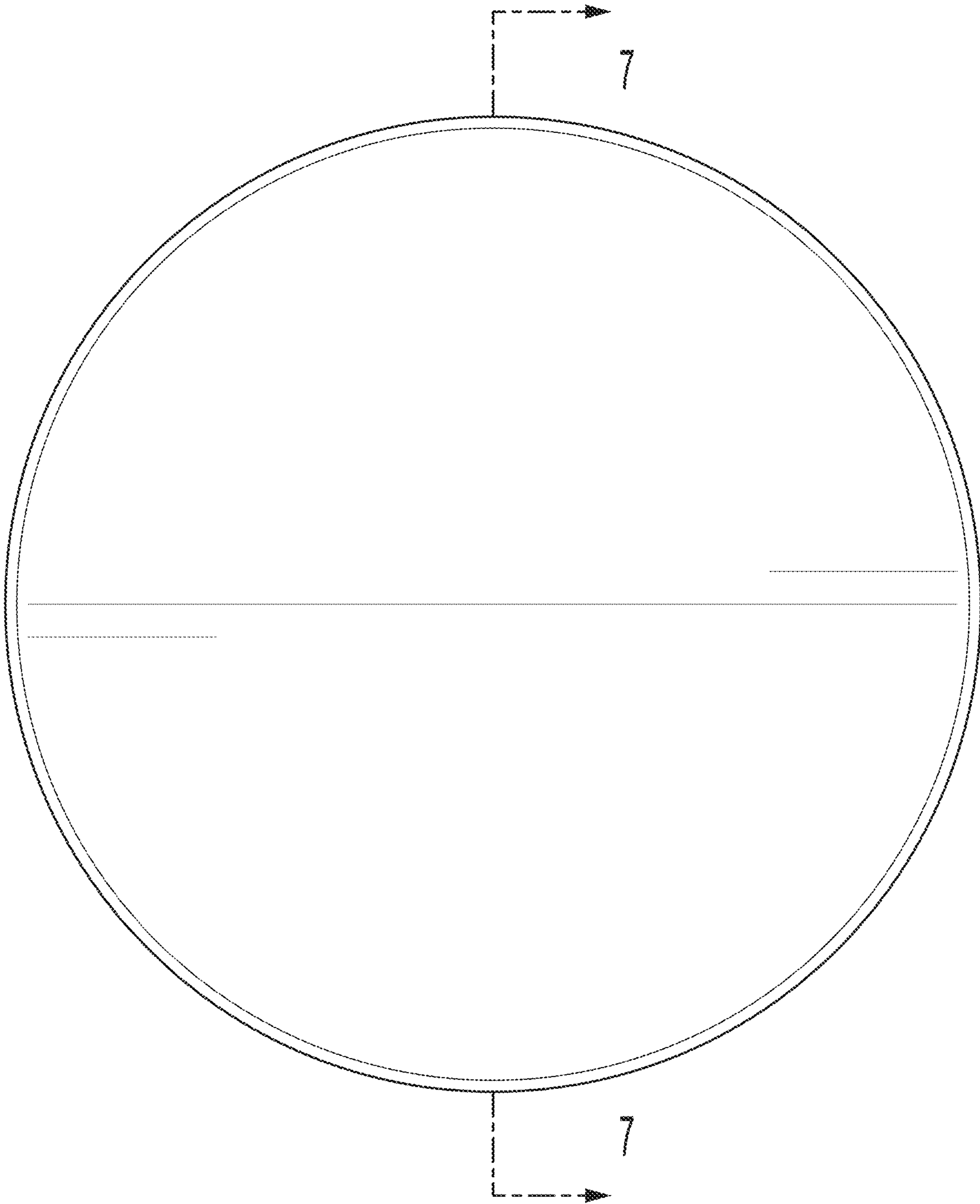


FIG. 9

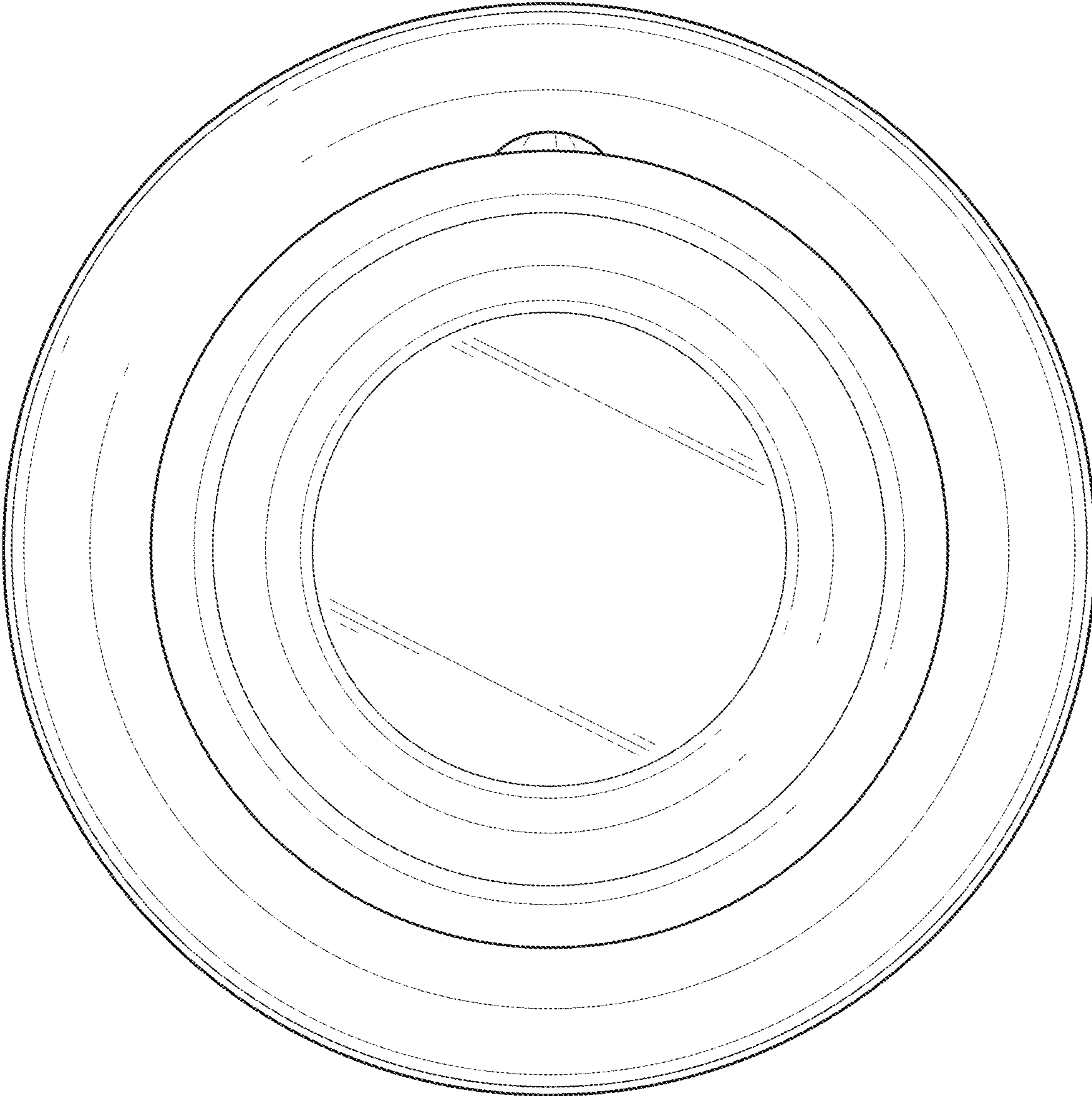


FIG. 10

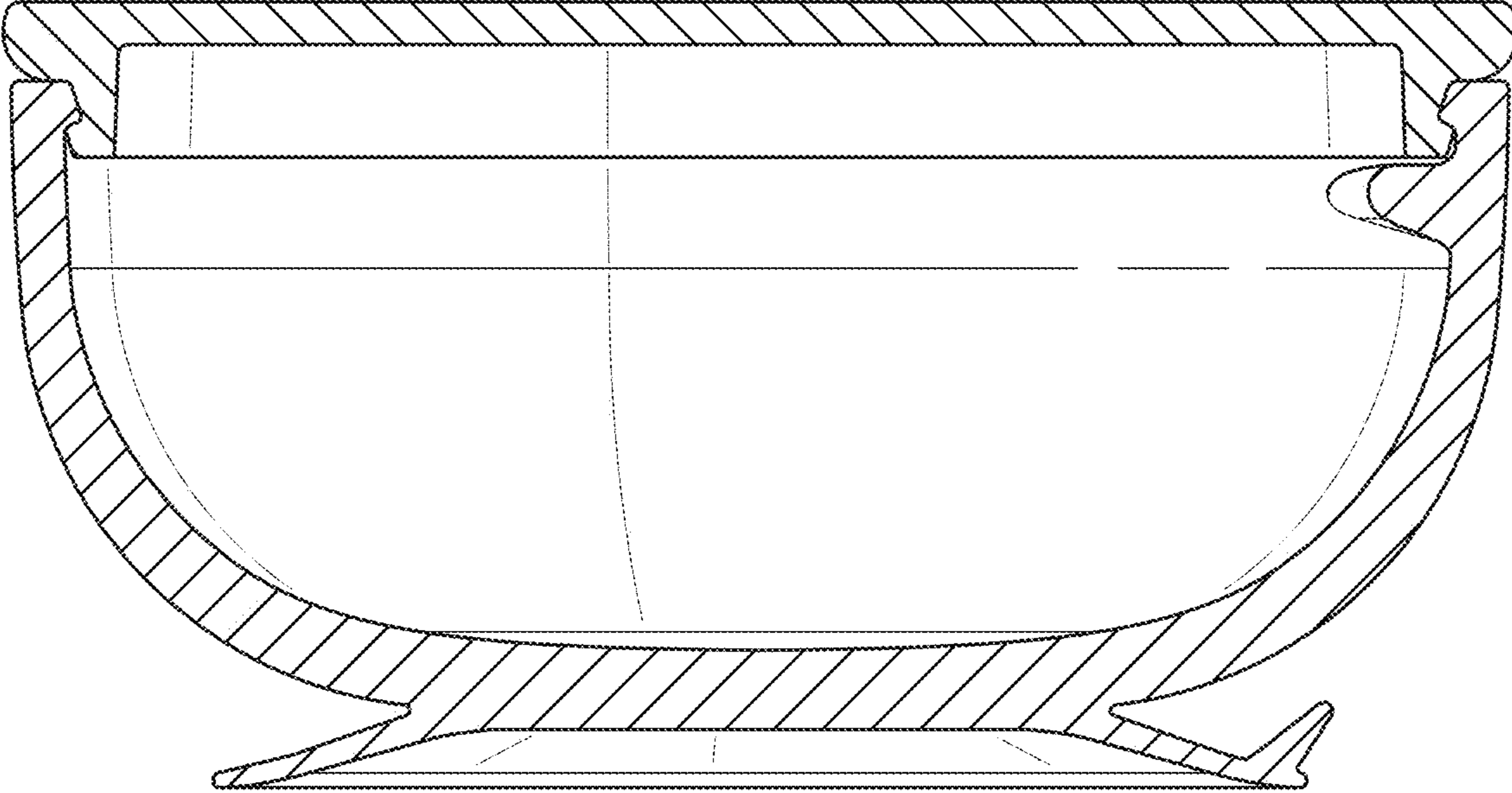


FIG. 11

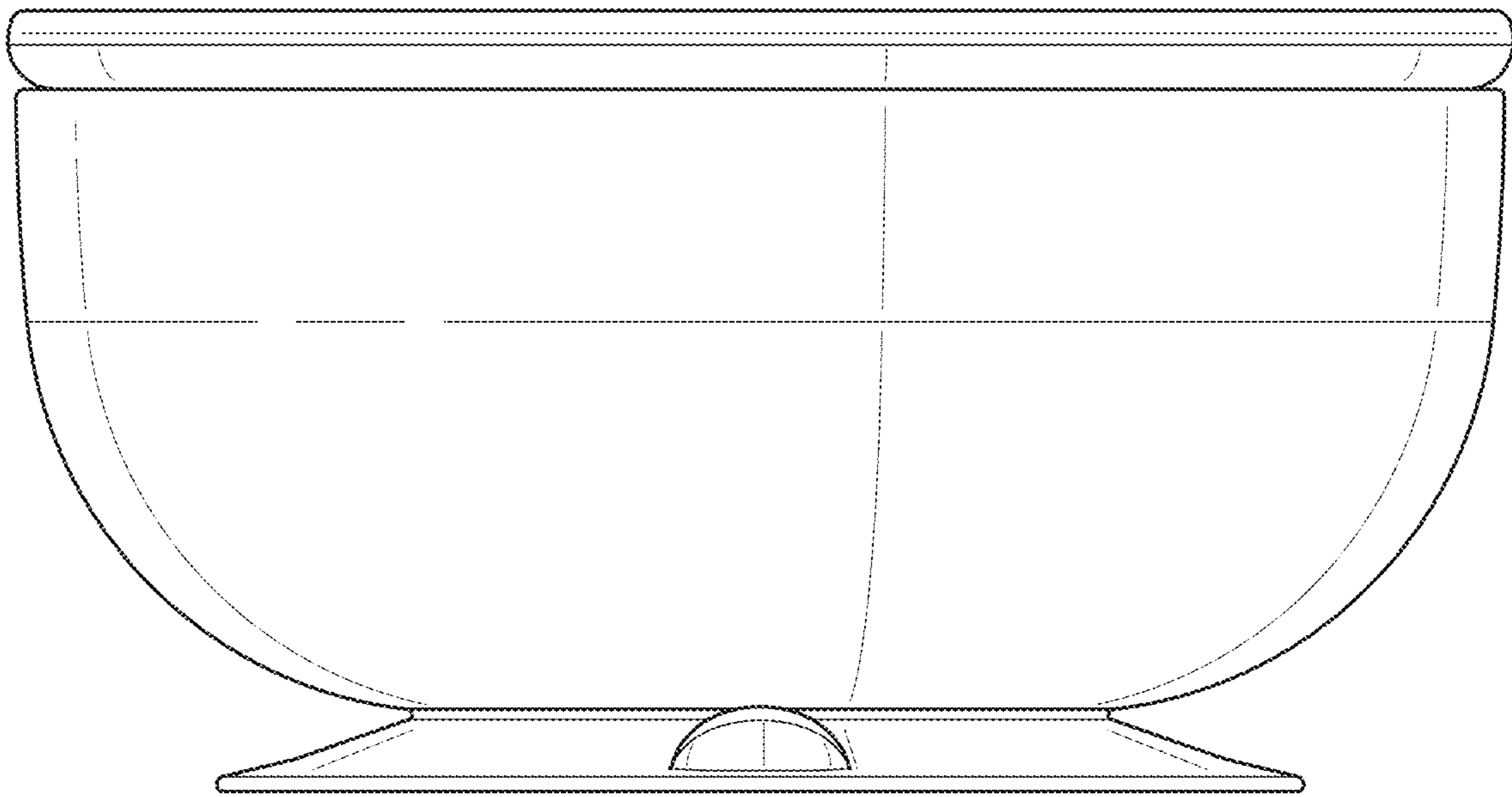


FIG. 12

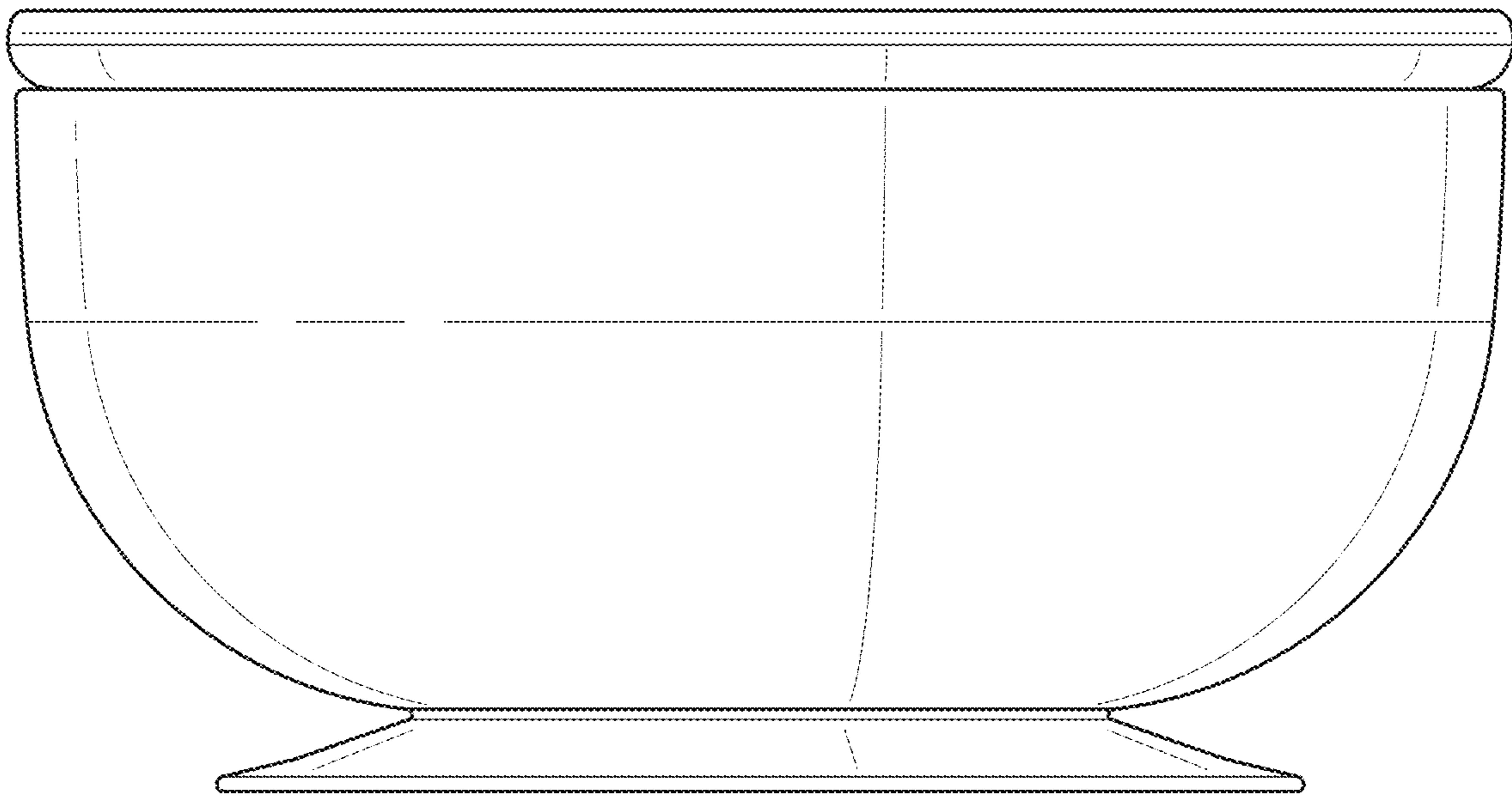


FIG. 13

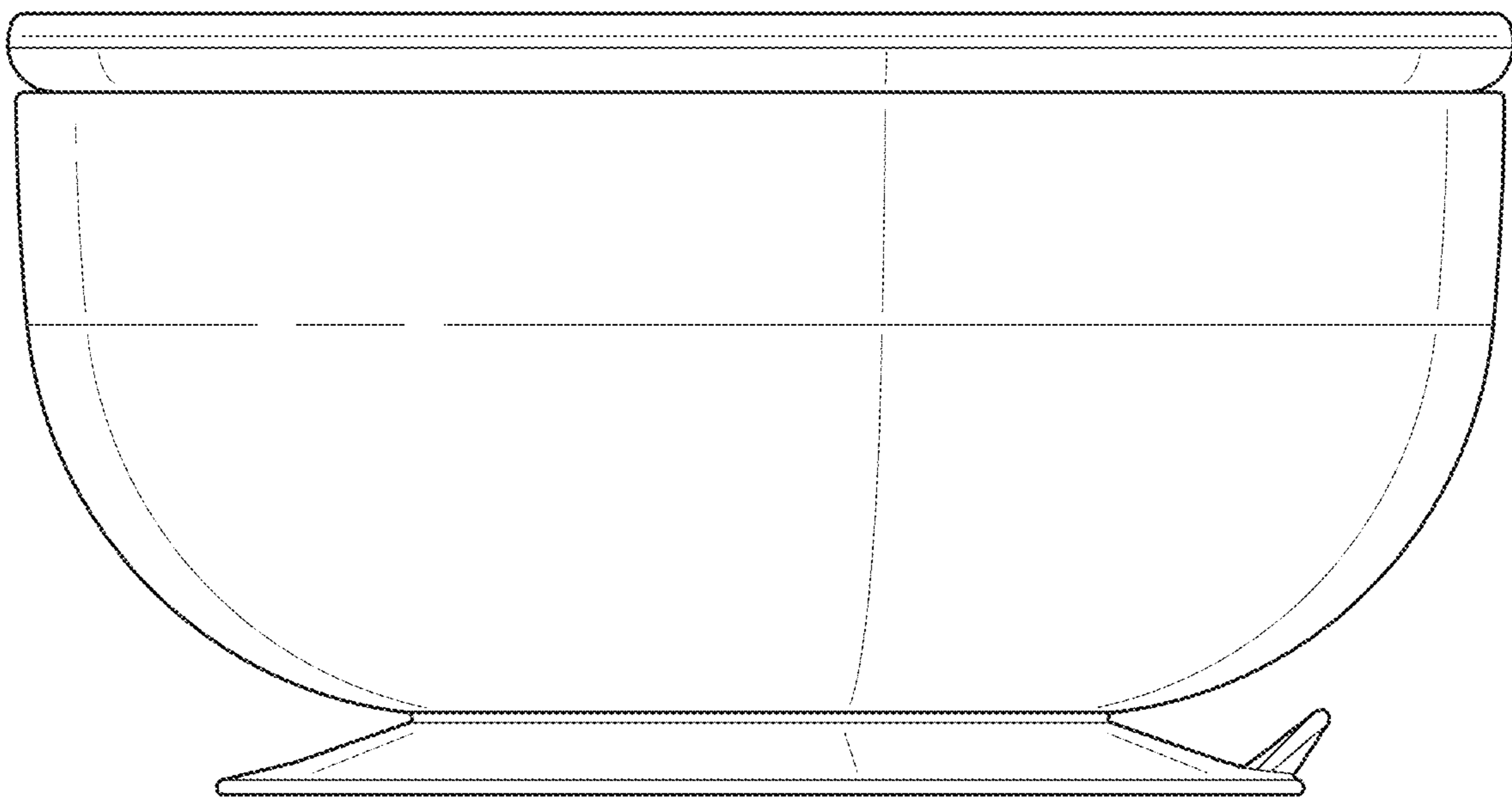


FIG. 14

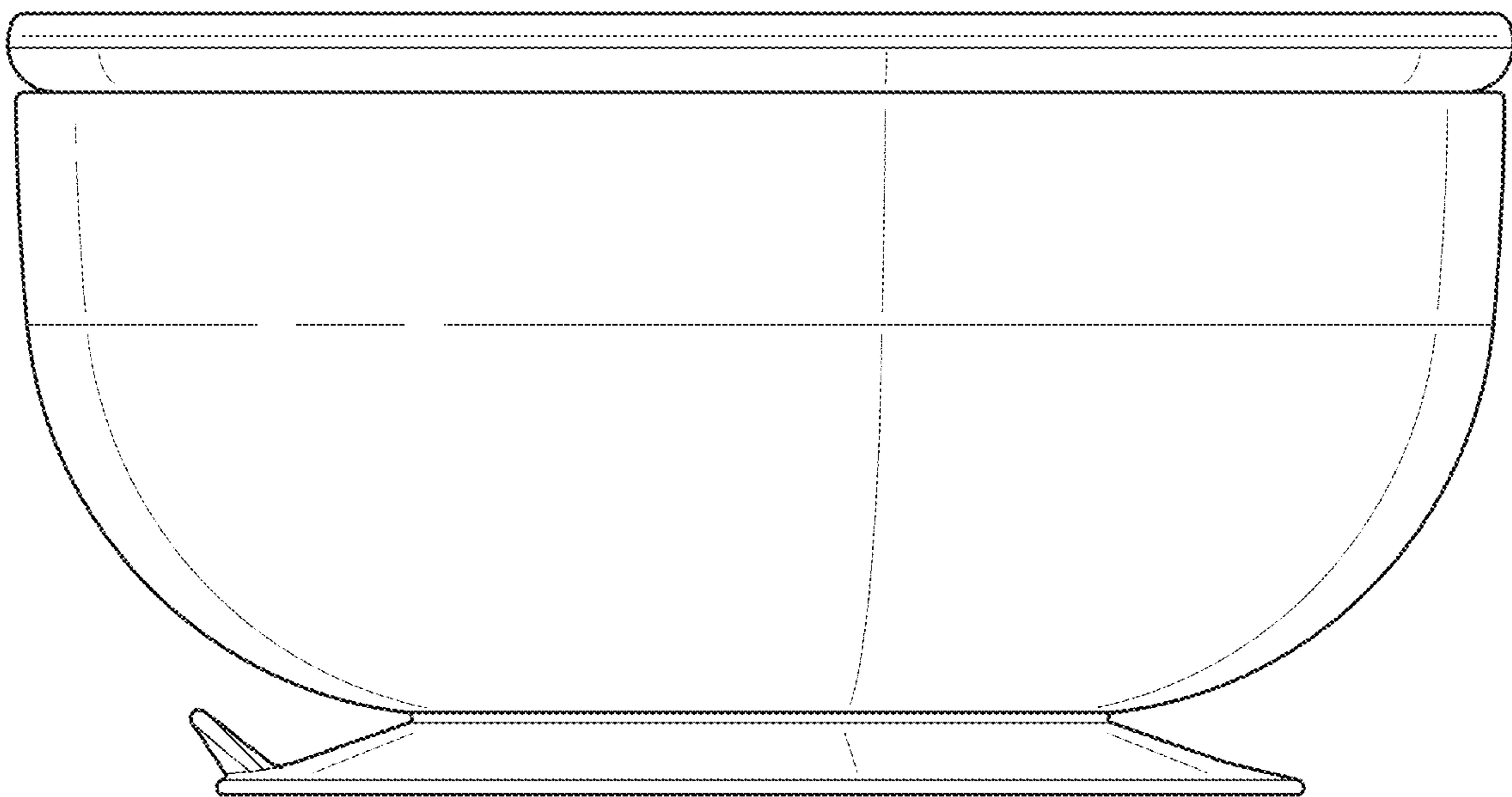


FIG. 15

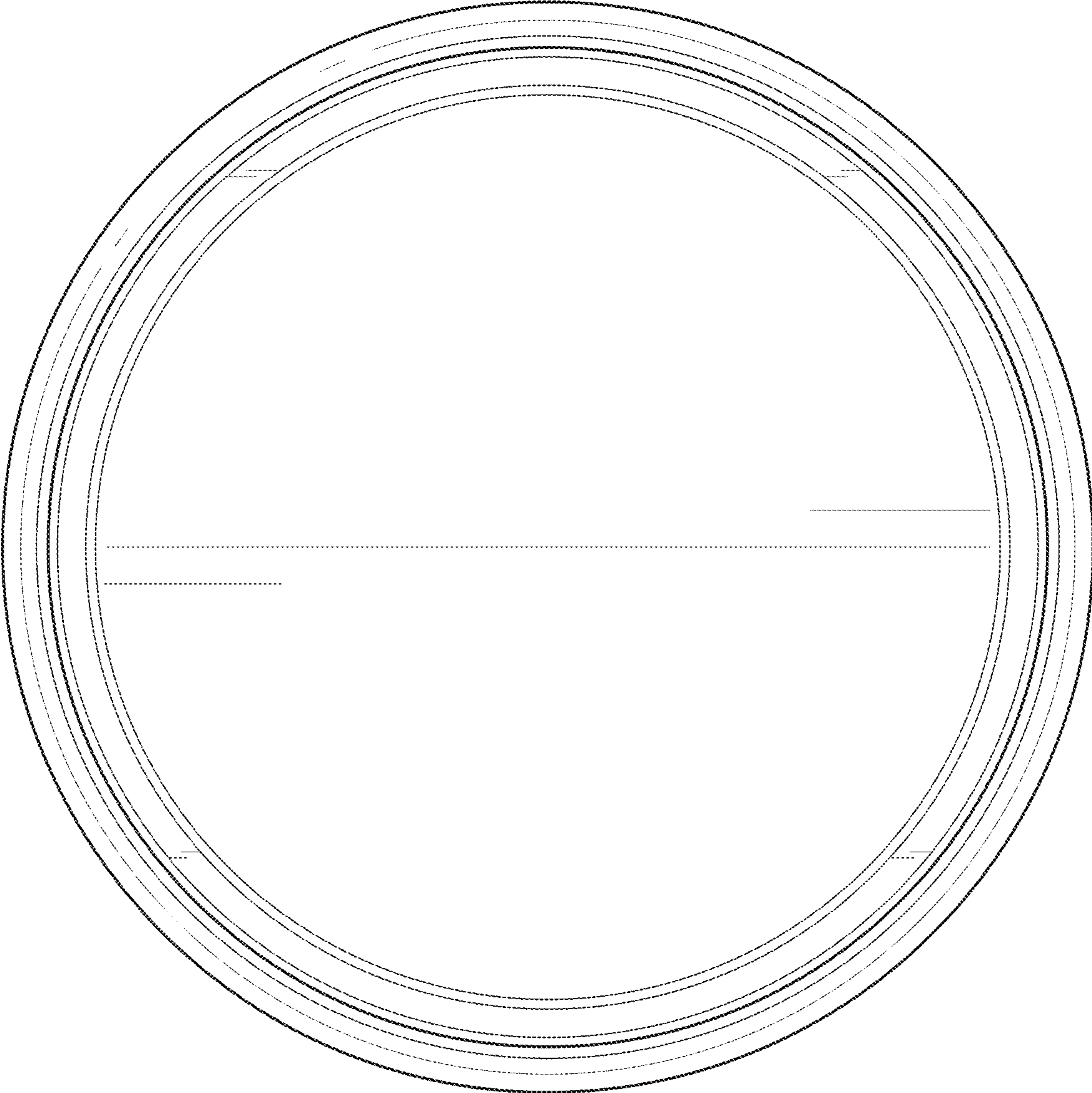


FIG. 16

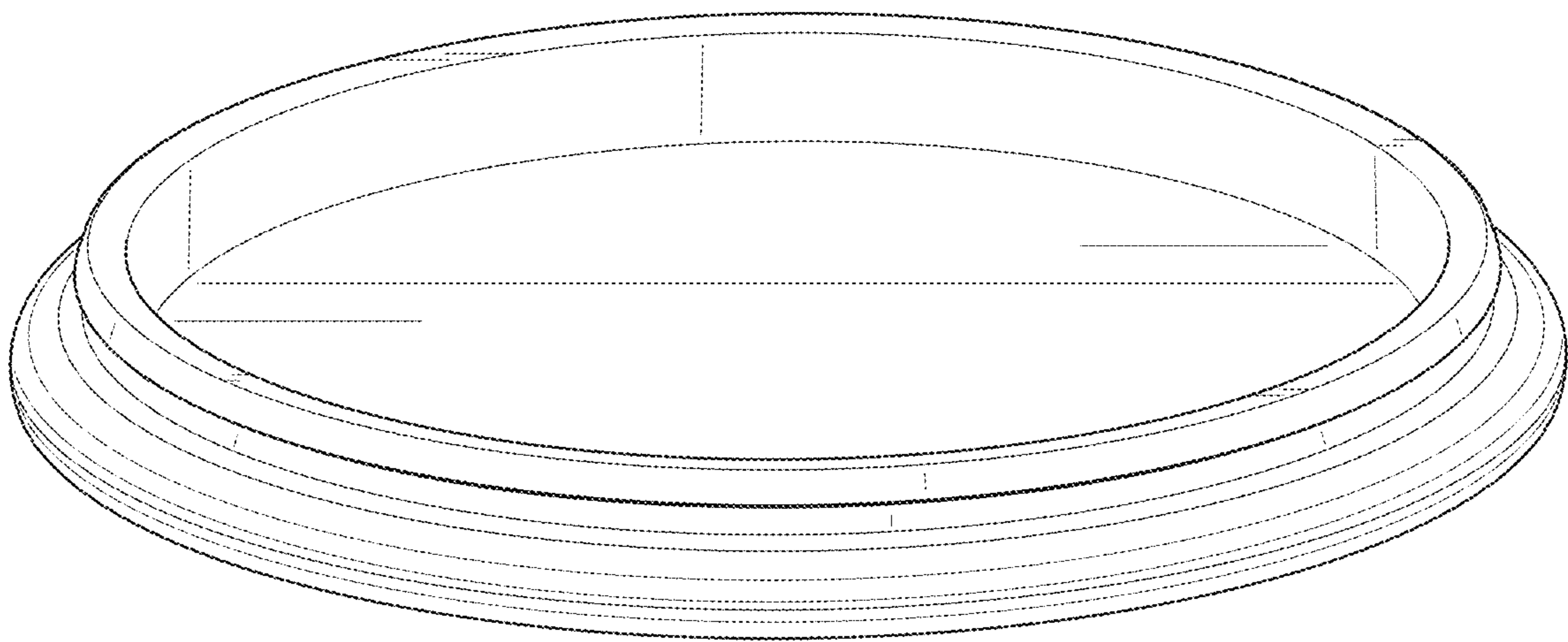


FIG. 17

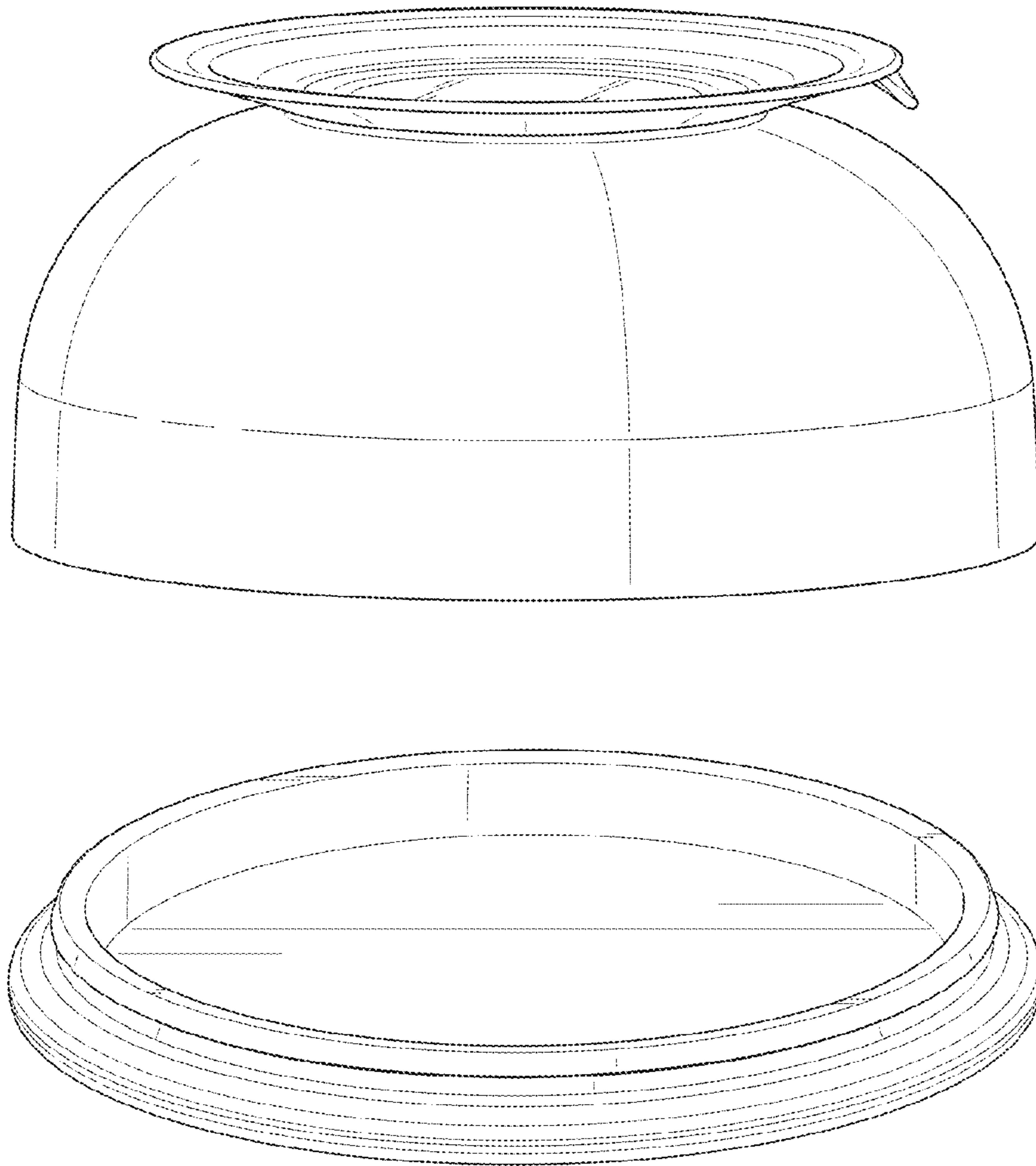


FIG. 18