



US00D953815S

(12) **United States Design Patent**  
**Wang**

(10) **Patent No.:** **US D953,815 S**

(45) **Date of Patent:** **\*\* Jun. 7, 2022**

(54) **INSULATION THERMAL COOLER BAG**

6,296,165 B1 \* 10/2001 Mears ..... A45C 15/00  
150/108

(71) Applicant: **Xiaoqing Wang**, Xiamen (CN)

D478,782 S \* 8/2003 Li ..... D7/607

D647,695 S 11/2011 Enghard

(72) Inventor: **Xiaoqing Wang**, Xiamen (CN)

9,408,445 B2 \* 8/2016 Mogil ..... A45C 13/26

10,098,427 B2 \* 10/2018 Mogil ..... B65D 81/389

D868,545 S \* 12/2019 Lin ..... D7/607

(\*\*) Term: **15 Years**

D907,968 S 1/2021 Sullivan et al.

D907,969 S 1/2021 Sullivan et al.

(21) Appl. No.: **29/787,368**

2004/0035143 A1 \* 2/2004 Mogil ..... A45C 13/02  
383/110

(22) Filed: **Jun. 6, 2021**

\* cited by examiner

(51) **LOC (13) Cl.** ..... **07-01**

*Primary Examiner* — Terry A Wallace

(52) **U.S. Cl.**

USPC ..... **D7/607**

(58) **Field of Classification Search**

(57) **CLAIM**

USPC ..... D7/605–607, 709, 710; D3/201,  
D3/203.1–203.8, 202, 232, 273, 274, 276,  
D3/283, 289, 301

The ornamental design for an insulation thermal cooler bag,  
as shown and described.

CPC ..... F25D 3/08; F25D 3/02; F25D 3/04; F25D  
3/06; F25D 3/14; F25D 3/107; F25D  
2331/804; F25D 2331/801; B65D 81/38;  
B65D 81/3813; B65D 81/3816; B65D  
81/3818; B65D 81/382; B65D 81/3823;  
B65D 81/3825; B65D 81/3827; B65D  
81/383; B65D 81/3832; B65D 81/3834;  
B65D 81/3848; B65D 81/3851; B65D  
81/3853; B65D 81/3855; B65D 81/3858;  
B65D 81/386; B65D 81/3862; B65D  
81/3874; A45C 11/20; A45C 3/00; A45C  
2003/008

**DESCRIPTION**

See application file for complete search history.

FIG. 1 is a first perspective view of an insulation thermal cooler bag showing my new design;  
FIG. 2 is a second perspective view thereof;  
FIG. 3 is a front view thereof;  
FIG. 4 is a back view thereof;  
FIG. 5 is a left side view thereof;  
FIG. 6 is a right side view thereof;  
FIG. 7 is a top view thereof;  
FIG. 8 is a bottom view thereof; and,  
FIG. 9 is a perspective view of another state of the insulation thermal cooler bag thereof.

The broken lines shown in the drawings depict portions of the insulation thermal cooler bag in which the design is embodied that form no part of the claimed design.

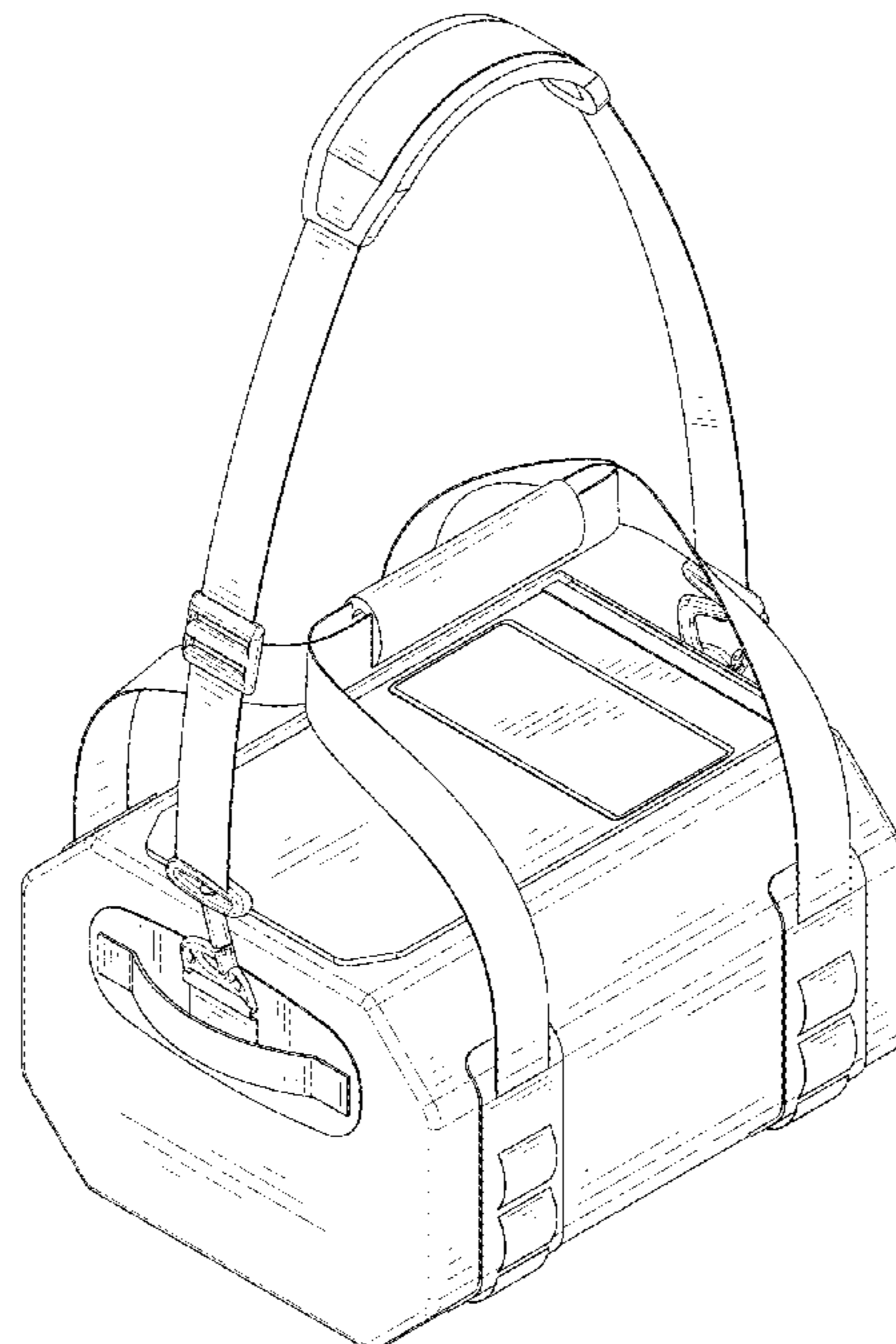
(56) **References Cited**

**U.S. PATENT DOCUMENTS**

5,403,095 A \* 4/1995 Melk ..... A45C 11/20  
383/110

D387,249 S \* 12/1997 Mogil ..... D7/607

**1 Claim, 9 Drawing Sheets**



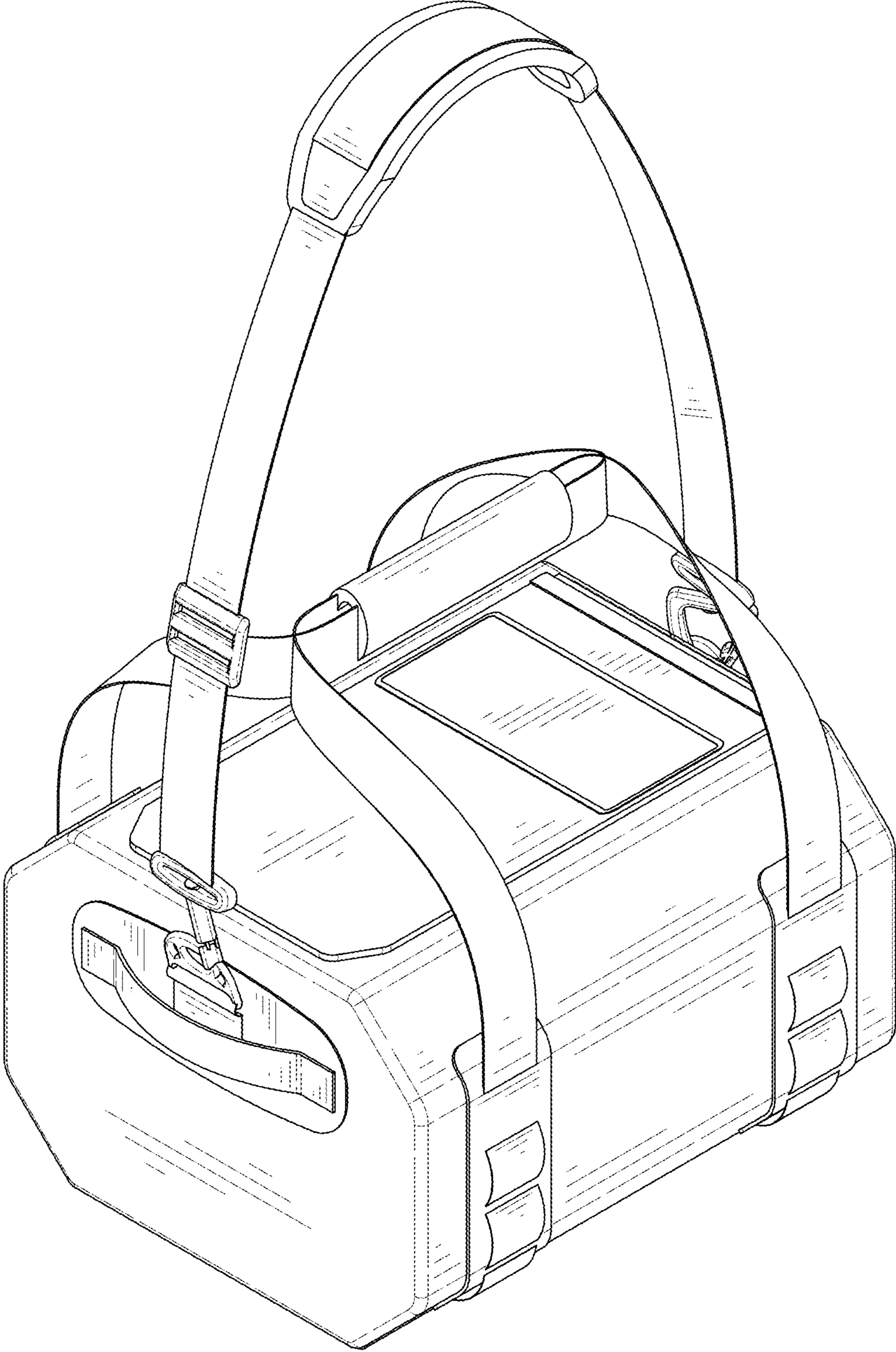


FIG. 1

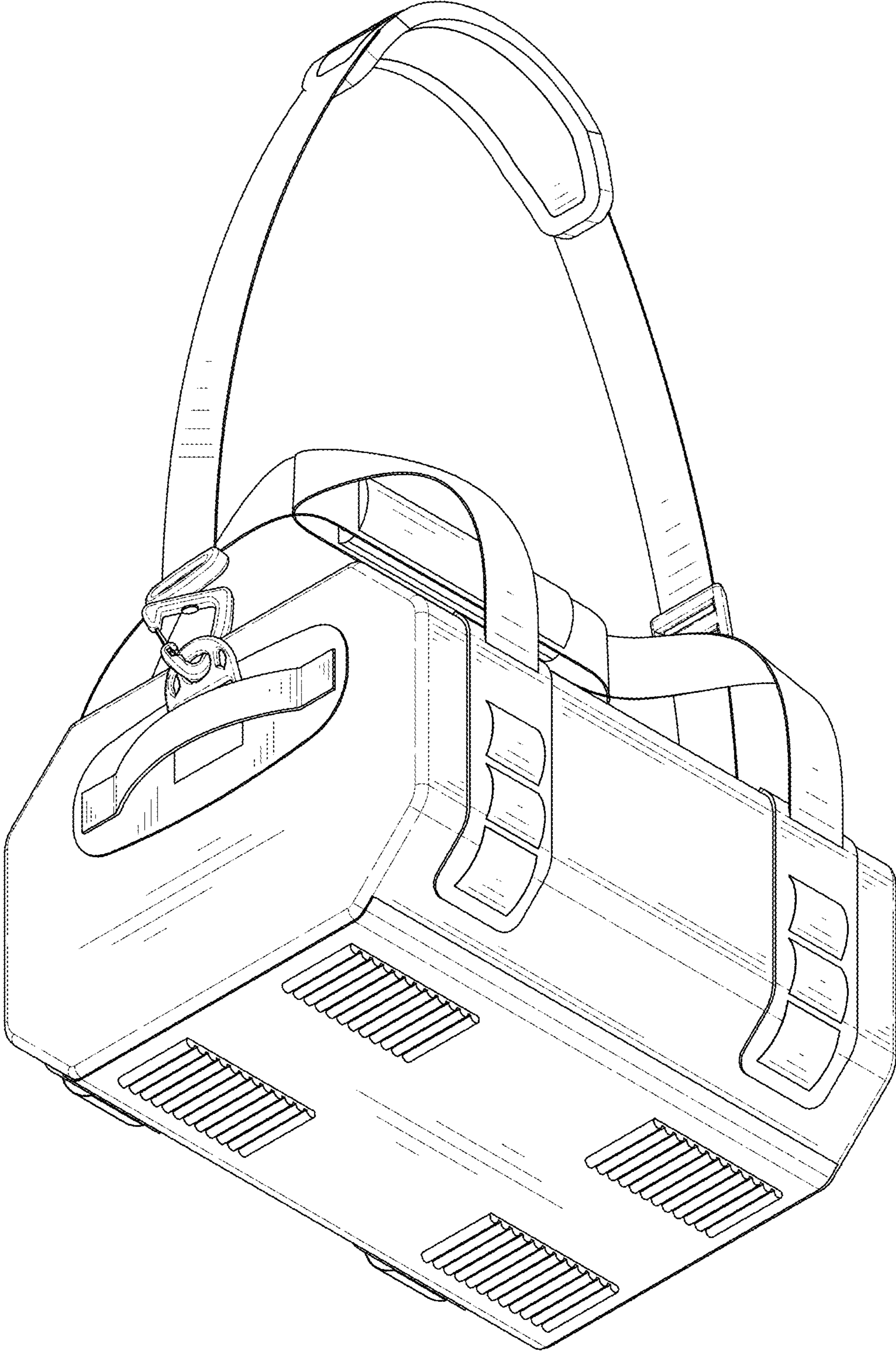


FIG. 2



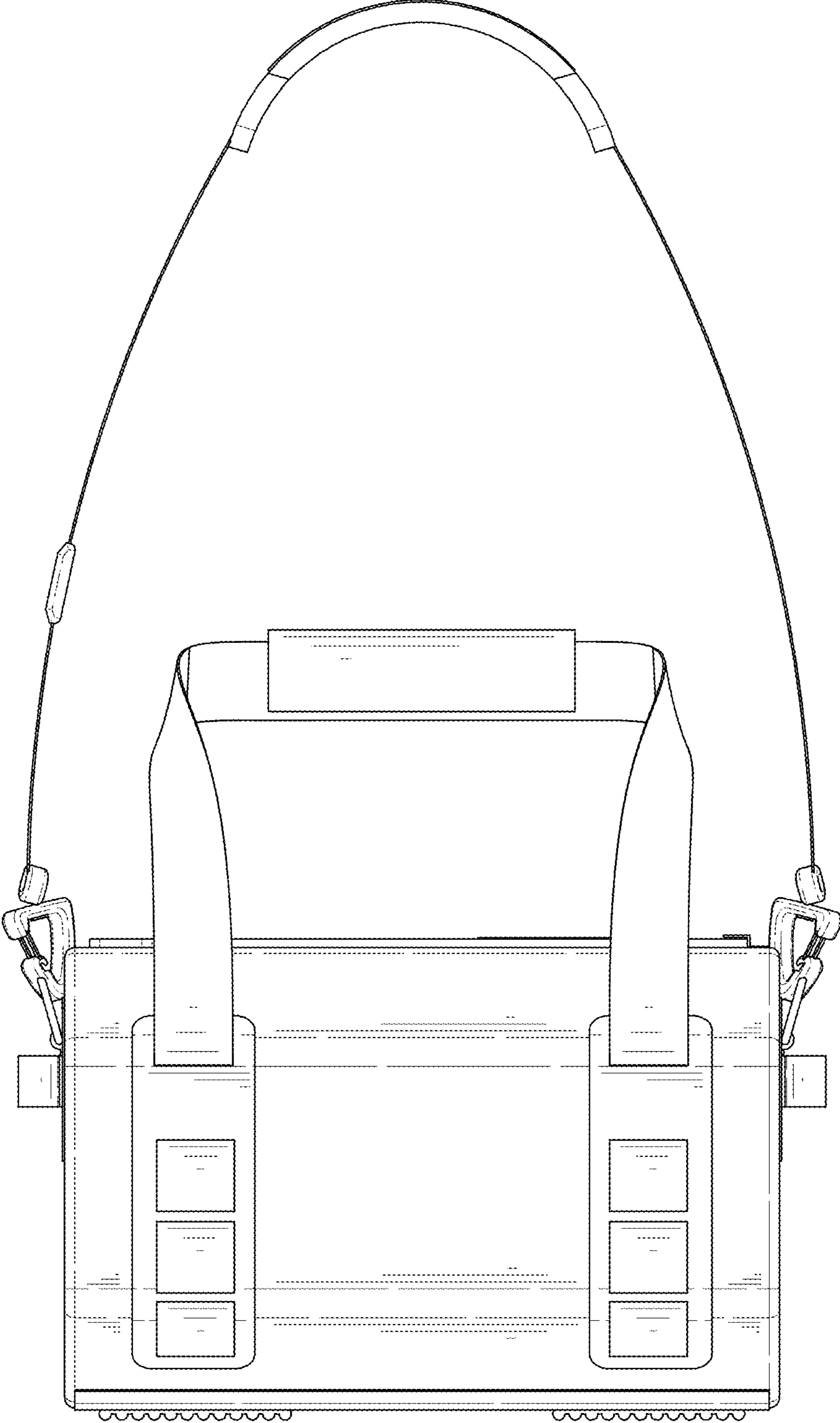


FIG. 3

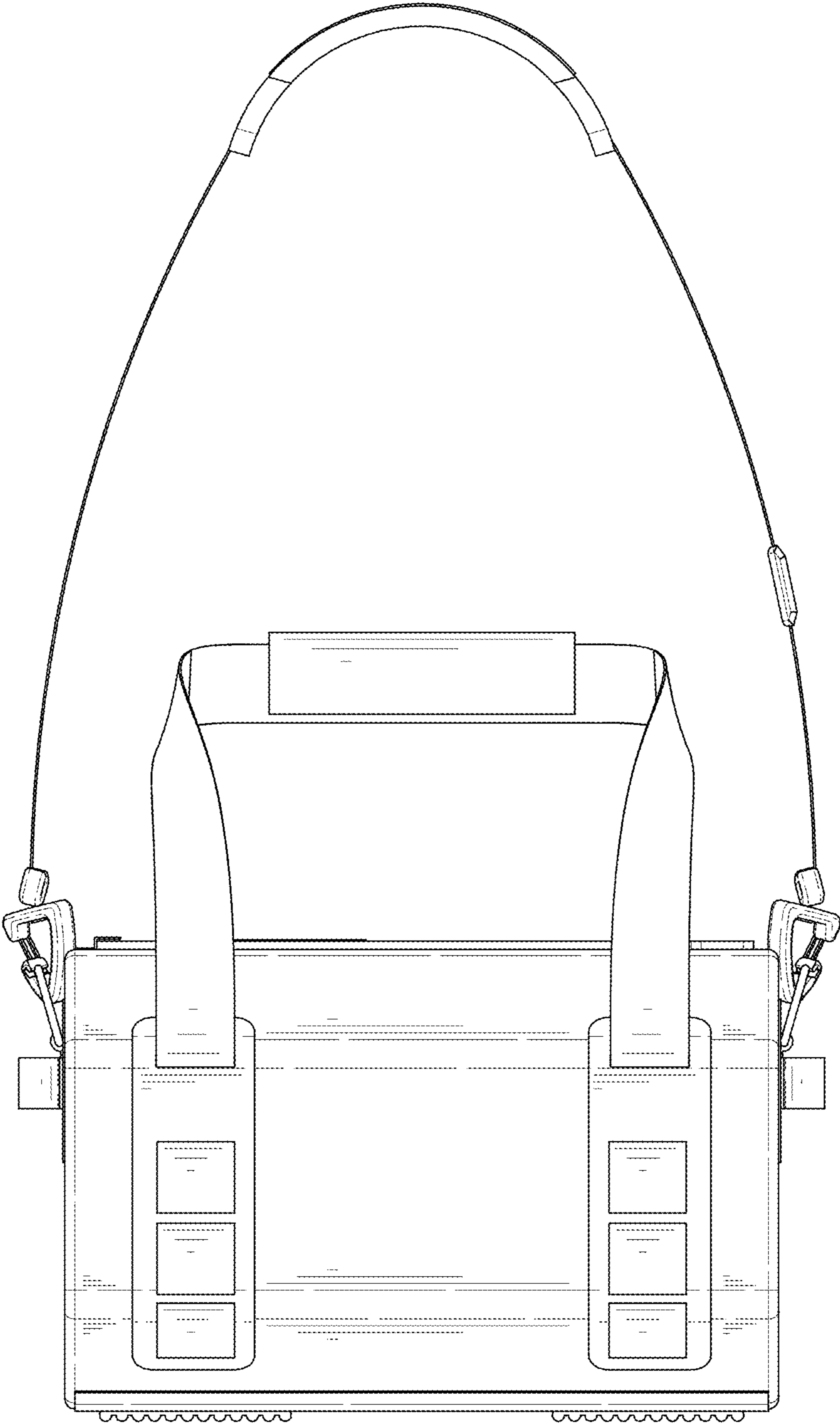


FIG. 4

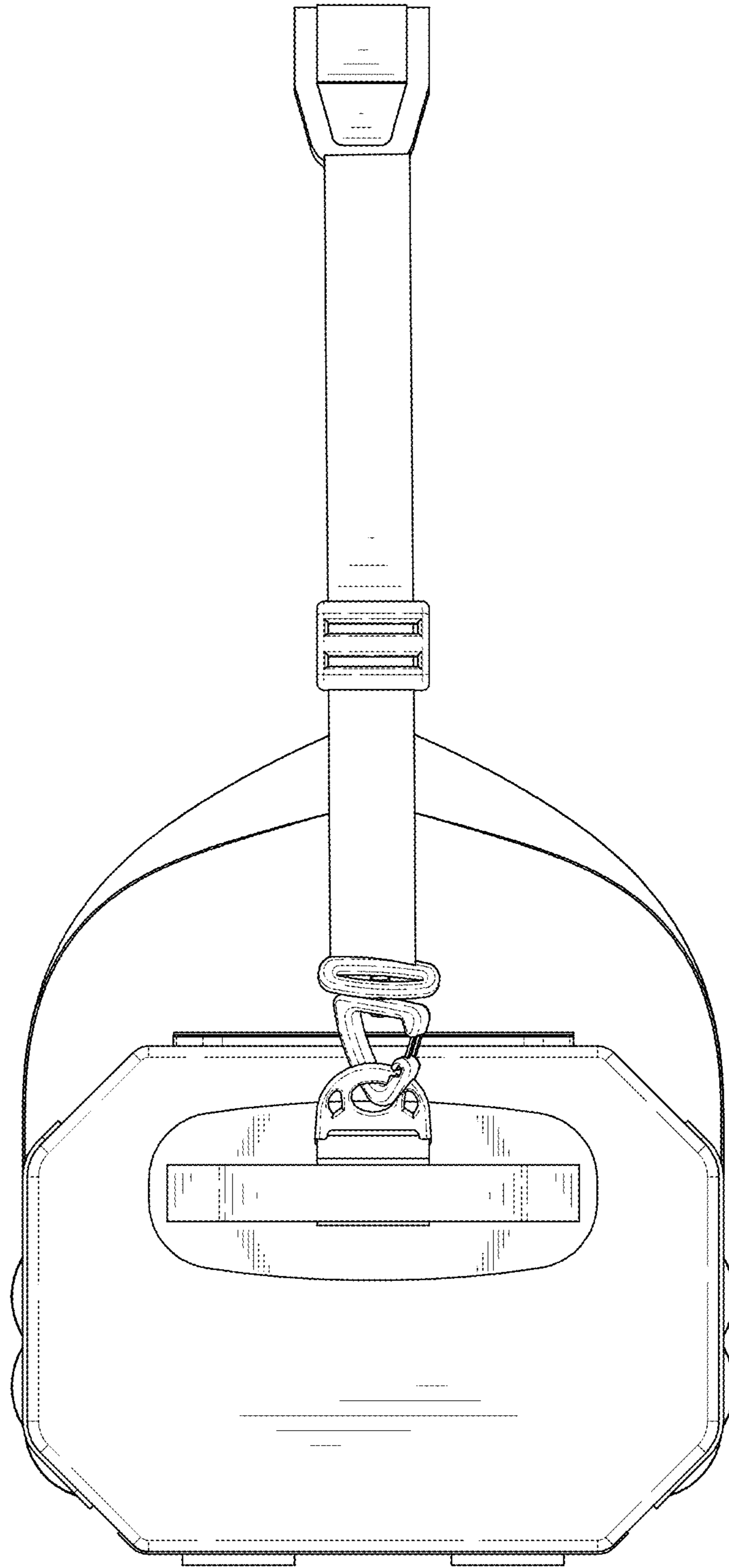


FIG. 5

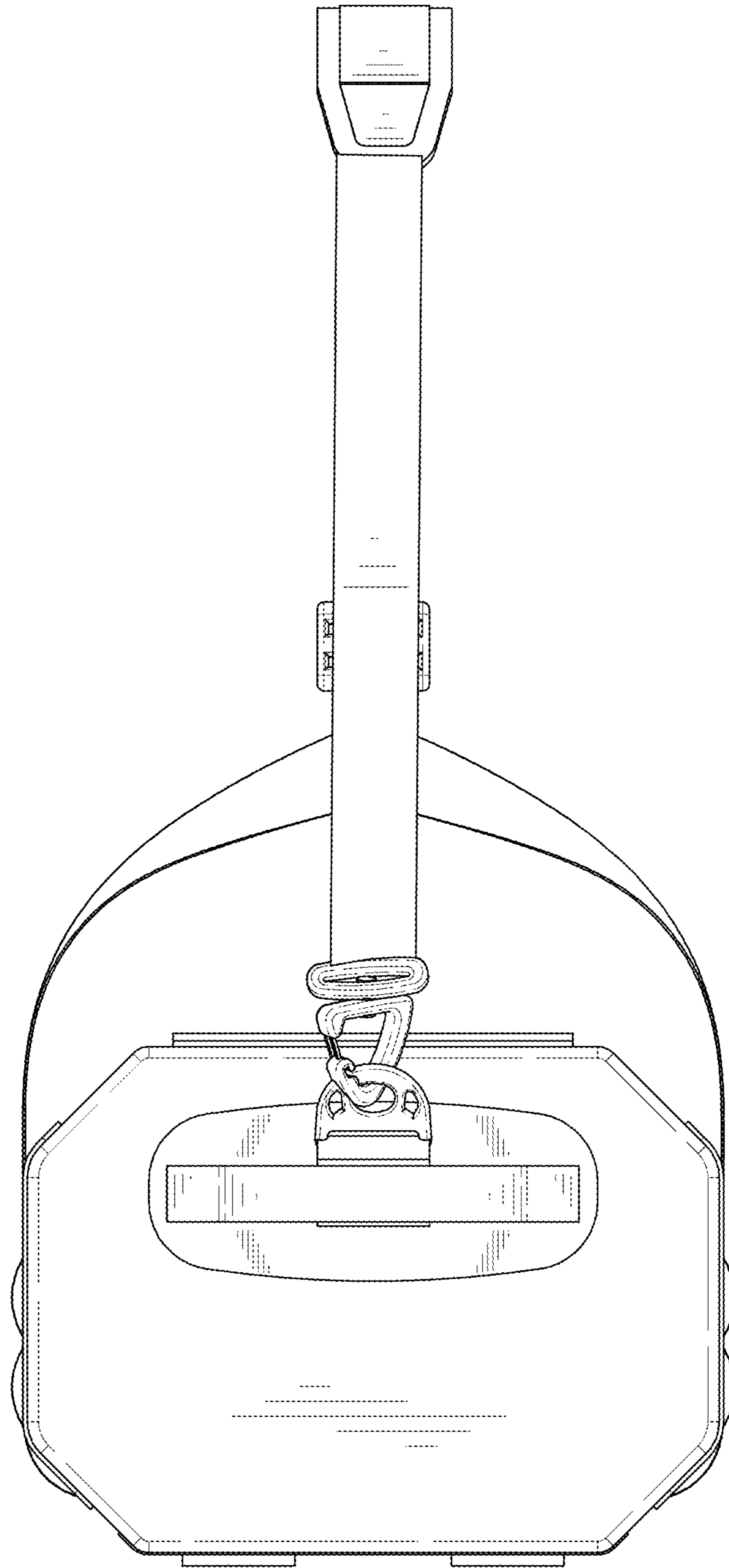


FIG. 6

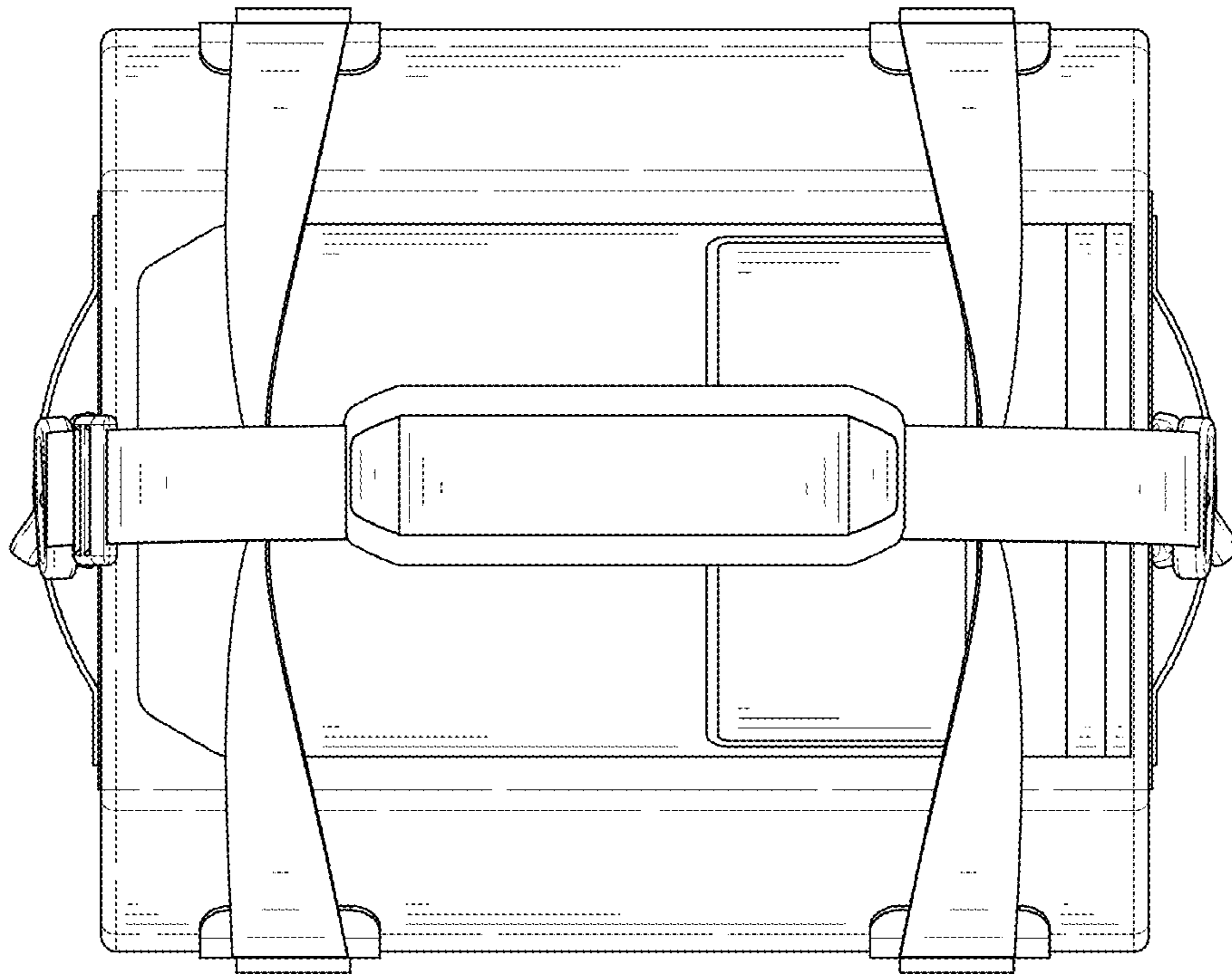


FIG. 7



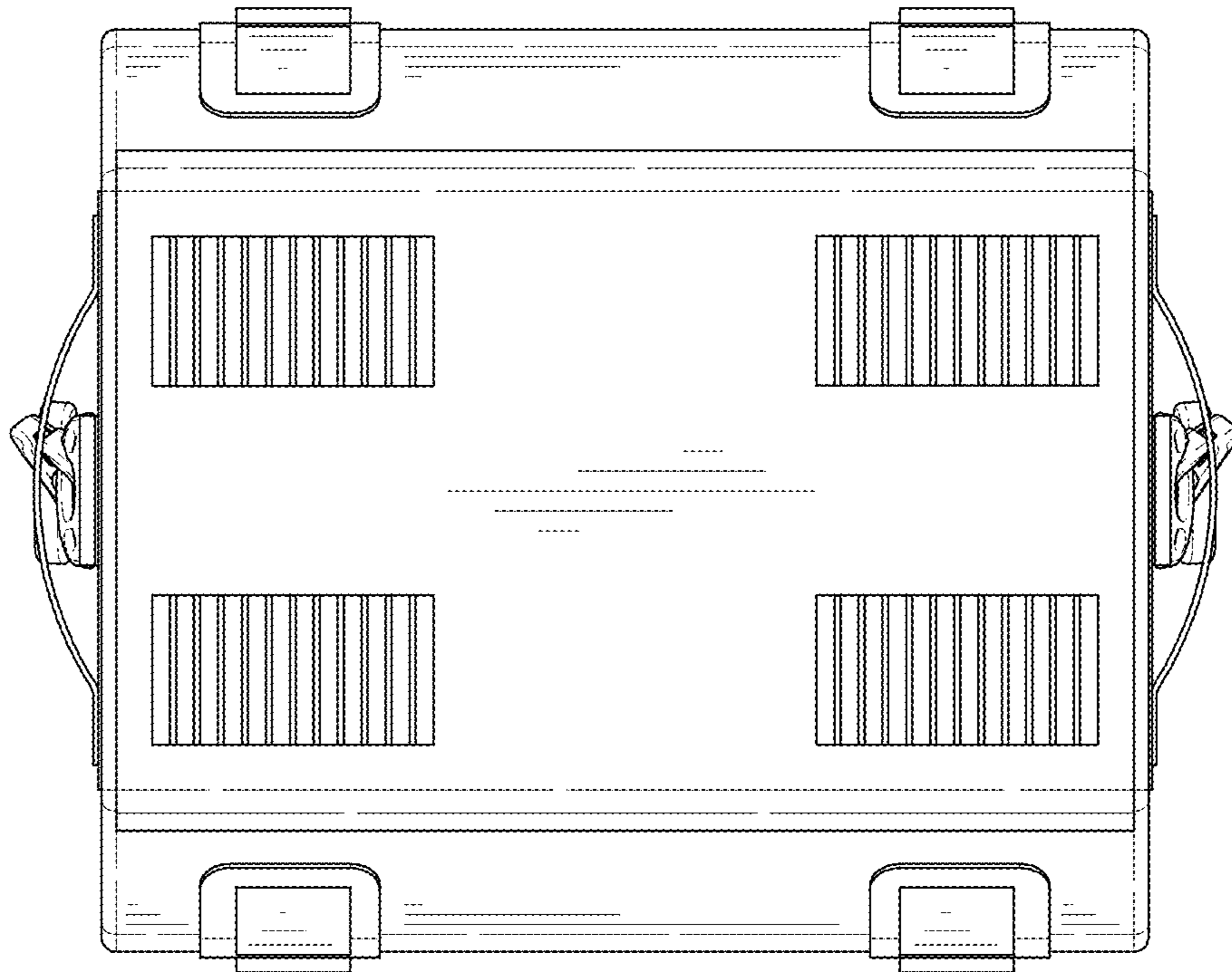


FIG. 8

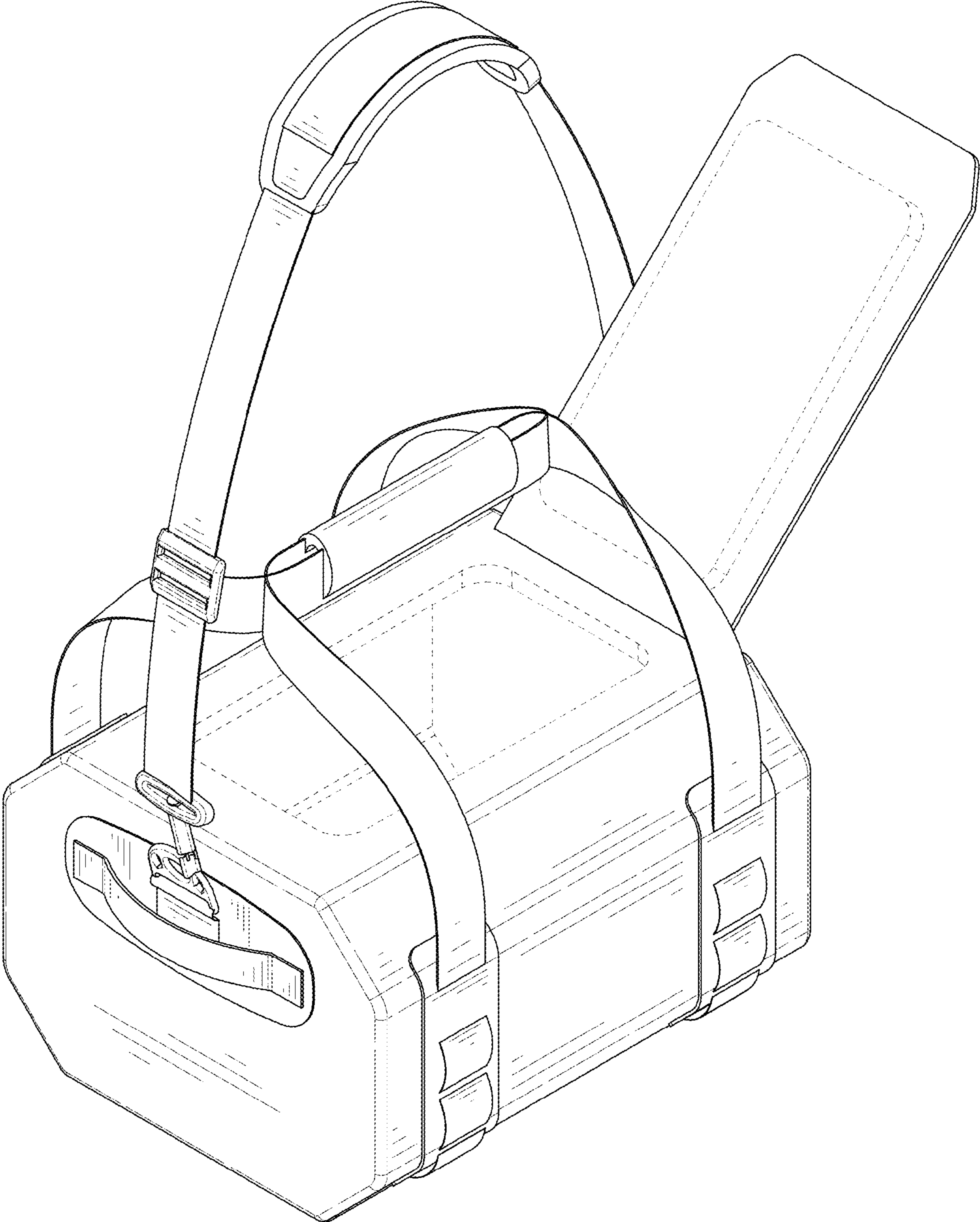


FIG. 9