



US00D953814S

(12) **United States Design Patent**
Thelin et al.

(10) **Patent No.:** **US D953,814 S**
(45) **Date of Patent:** **** Jun. 7, 2022**

- (54) **COVER FOR A COOLER**
- (71) Applicant: **Dometic Sweden AB**, Solna (SE)
- (72) Inventors: **Mikael Thelin**, Huddinge (SE); **Steven Elliott**, Varsity Lakes (AU); **Peng Wang**, Zhuhai (CN); **Bin Zou**, Zhuhai (CN); **Chen Chen**, Zhuhai (CN)

2,492,601 A 12/1949 Steel
 2,642,728 A 6/1953 Thomaras
 2,715,817 A 8/1955 Brodheim
 (Continued)

- (73) Assignee: **Dometic Sweden AB**, Solna (SE)

(**) Term: **15 Years**

(21) Appl. No.: **29/711,906**

(22) Filed: **Nov. 4, 2019**

(51) **LOC (13) Cl.** **07-01**

(52) **U.S. Cl.**
USPC **D7/605**

(58) **Field of Classification Search**
USPC D7/603–608, 629, 630; D3/272–274;
D15/79, 81

CPC .. A45C 11/20; A45C 9/00; A45C 5/14; A45C 5/03; A45C 13/002; F25D 3/14; F25D 3/08; F25D 3/12; F25D 3/00; F25D 3/02; F25D 3/06; F25D 3/107; F25D 2400/08; F25D 31/005; F25D 11/003; F25D 11/006; F25D 23/003; F25D 2323/00268; F25D 2201/10; B65D 81/3813; B65D 81/3823; B65D 81/3888; B65D 81/3889; B65D 81/3816; B65D 81/3858; B65D 81/3818; B65D 81/38; F24D 2331/804; A47J 41/022; A47G 19/2288; F25B 19/00
 See application file for complete search history.

(56) **References Cited**

U.S. PATENT DOCUMENTS

1,691,468 A 11/1928 Cooper et al.
 2,012,800 A 8/1935 Allen

FOREIGN PATENT DOCUMENTS

AU 201712770 5/2017
 AU 201712777 5/2017
 (Continued)

OTHER PUBLICATIONS

Amazon.Com, ICECO insulated protective cover, pp. 1-2, first date available Oct. 11, 2019. (Year: 2019).
 (Continued)

Primary Examiner — Terry A Wallace

(74) *Attorney, Agent, or Firm* — Middleton Reutlinger

(57) **CLAIM**

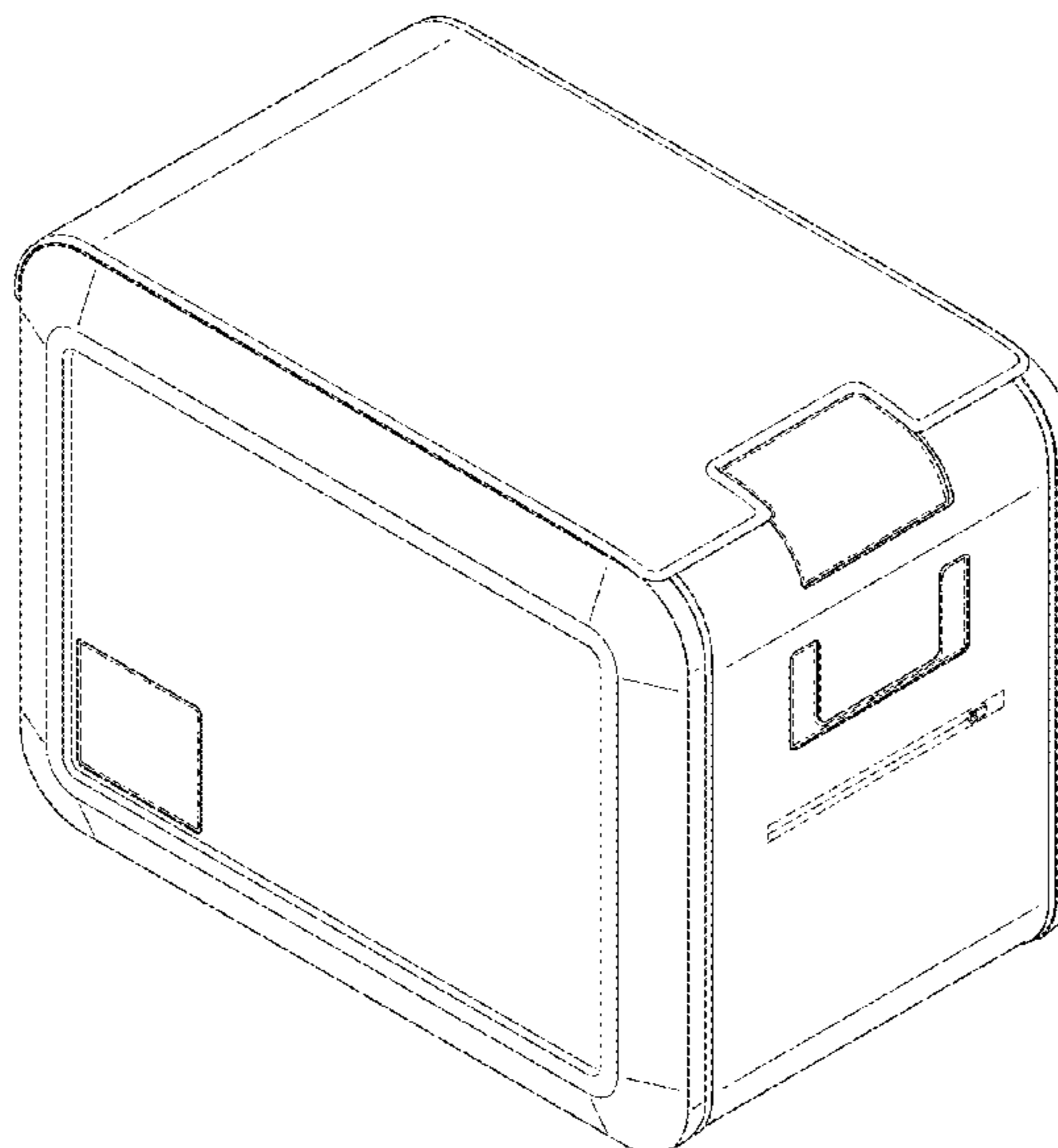
The ornamental design of a cover for a cooler, as shown and described.

DESCRIPTION

Cross-reference is made to U.S. Design patent application Ser. No. 29/711,905, titled “Cover for a Cooler,” filed on Nov. 4, 2019, which is expressly incorporated herein by reference.

FIG. 1 is an upper perspective view of a cover for a cooler; FIG. 2 is a front view of the design of FIG. 1; FIG. 3 is a rear view of the design of FIG. 1; FIG. 4 is a first side view of the design of FIG. 1; FIG. 5 is a second side view of the design of FIG. 1; FIG. 6 is a top view of the design of FIG. 1; FIG. 7 is a bottom view of the design of FIG. 1; and, FIG. 8 is a lower perspective view of the design of FIG. 1. The broken lines shown in the drawings are included for the purpose of illustrating the unclaimed boundary and/or unclaimed portions of a cover for a cooler. The broken lines form no part of the claimed design.

1 Claim, 8 Drawing Sheets



(56)

References Cited

U.S. PATENT DOCUMENTS

2,766,901 A 10/1956 Sunko
 2,926,504 A 3/1960 Hellinger
 3,796,063 A 3/1974 Wulke et al.
 D256,587 S * 8/1980 Tatsumi D15/83
 4,468,932 A * 9/1984 Bullard F25D 3/08
 62/421
 4,886,176 A 12/1989 Steakley
 5,301,508 A * 4/1994 Kahl F25B 21/02
 220/592.2
 5,319,937 A 6/1994 Fritsch et al.
 D349,007 S * 7/1994 Costello D7/605
 5,407,218 A 4/1995 Jackson
 5,676,296 A 10/1997 Masters
 5,860,281 A * 1/1999 Coffee H01L 35/00
 312/317.3
 5,897,435 A 4/1999 Thomas et al.
 6,027,249 A * 2/2000 Bielinski B65D 81/3897
 383/110
 6,308,518 B1 10/2001 Hunter
 6,349,845 B1 * 2/2002 Duncan B65D 65/02
 150/901
 6,354,101 B1 3/2002 Levitin et al.
 6,354,104 B1 3/2002 Feagin
 6,474,097 B2 11/2002 Treppedi et al.
 D497,517 S 10/2004 Reuter
 D500,057 S 12/2004 Reuter
 D516,099 S * 2/2006 Maruyama D15/83
 7,143,601 B1 12/2006 Jimenez
 D534,771 S 1/2007 Zorn
 7,178,673 B1 2/2007 Miller
 7,415,794 B1 8/2008 Thompson
 7,617,699 B1 11/2009 Parmely
 7,913,849 B2 3/2011 Pedrazzi et al.
 D640,102 S * 6/2011 Hawkins D7/605
 8,210,819 B2 7/2012 Wiebe et al.
 8,312,816 B2 11/2012 Wiebe et al.
 D712,720 S 9/2014 Seiders
 D712,721 S 9/2014 Seiders
 D712,722 S 9/2014 Seiders
 D712,723 S 9/2014 Seiders
 D714,125 S 9/2014 Seiders
 8,910,819 B2 12/2014 Seiders
 D722,474 S 2/2015 Seiders
 D722,475 S 2/2015 Seiders
 D732,348 S 6/2015 Seiders et al.
 D732,349 S 6/2015 Seiders et al.
 D732,350 S 6/2015 Seiders et al.
 D732,899 S 6/2015 Seiders et al.
 9,137,232 B2 6/2015 Eschbatch et al.
 9,139,352 B2 9/2015 Seiders et al.
 9,163,871 B1 10/2015 Costello
 9,187,232 B2 11/2015 Seiders
 9,220,250 B1 12/2015 Davis, Sr.
 9,232,290 B2 1/2016 Besay
 D752,347 S 3/2016 Seiders et al.
 9,282,797 B1 3/2016 Soto
 9,320,938 B1 4/2016 Belmore
 D792,486 S 7/2017 Li et al.
 D802,028 S 11/2017 Li
 D802,029 S 11/2017 Li
 D802,630 S 11/2017 Li et al.
 9,951,986 B1 4/2018 Turner
 D820,049 S 6/2018 Ahlstrom et al.
 D836,993 S 1/2019 Meda et al.
 D836,994 S 1/2019 Meda et al.
 D844,386 S 4/2019 Ahlstrom et al.
 D887,788 S 6/2020 Meda
 D888,503 S 6/2020 Meda
 10,717,499 B1 7/2020 Street et al.
 D894,043 S 8/2020 Meda
 D901,986 S 11/2020 Meda
 D920,743 S 6/2021 Meda et al.
 D927,938 S 8/2021 Meda et al.
 D929,471 S 8/2021 Meda et al.

D935,280 S 11/2021 Thelin et al.
 2002/0095947 A1 7/2002 Treppedi
 2005/0274726 A1 12/2005 Boggs
 2005/0279750 A1 12/2005 Barquist
 2007/0101754 A1 5/2007 Maldonado
 2009/0126419 A1 5/2009 Yoon et al.
 2010/0251730 A1 10/2010 Whillock, Sr.
 2011/0226785 A1 9/2011 Sakell
 2015/0008242 A1 1/2015 Kpabar, Jr.
 2015/0021106 A1 1/2015 LaRosa
 2015/0114024 A1 4/2015 Grepper
 2015/0241107 A1 8/2015 Mech
 2015/0322698 A1 11/2015 Seiders
 2015/0353263 A1 12/2015 Seiders et al.
 2016/0101924 A1 4/2016 Mitchell et al.
 2016/0187046 A1 6/2016 Chen et al.
 2017/0023290 A1 1/2017 DeMuth
 2017/0108253 A1 4/2017 Monroy
 2018/0100682 A1 4/2018 Nilsen et al.
 2018/0141718 A1 5/2018 Ahlstrom et al.
 2018/0201432 A1 * 7/2018 Harding B65D 81/3858
 2018/0306479 A1 10/2018 Vazquez
 2019/0161240 A1 5/2019 Ahlstrom et al.
 2019/0308795 A1 * 10/2019 Juneau B65D 25/34
 2020/0062454 A1 2/2020 Duong et al.
 2020/0216229 A1 7/2020 Weixian
 2020/0217571 A1 7/2020 Weixian
 2020/0217574 A1 7/2020 Thelin
 2020/0217575 A1 7/2020 Thelin
 2020/0217576 A1 7/2020 Weixian
 2020/0217578 A1 7/2020 Wang

FOREIGN PATENT DOCUMENTS

AU 201712780 5/2017
 AU 201712782 5/2017
 AU 201712791 5/2017
 AU 201712799 5/2017
 AU 201712802 5/2017
 AU 201712803 5/2017
 AU 201712785 7/2017
 AU 201716789 11/2017
 AU 201716791 11/2017
 AU 201717667 1/2018
 AU 201717669 1/2018
 AU 201717670 1/2018
 AU 201717674 1/2018
 AU 201717676 1/2018
 AU 201717662 2/2018
 AU 201816061 1/2019
 AU 201910011 2/2019
 AU 201913598 8/2019
 AU 201913601 8/2019
 AU 201913603 8/2019
 AU 201913604 8/2019
 AU 201913607 8/2019
 AU 201913624 8/2019
 AU 201913626 8/2019
 AU 201913627 8/2019
 AU 201913631 8/2019
 AU 201913633 8/2019
 AU 202012545 6/2020
 AU 202012548 6/2020
 AU 2019284128 7/2020
 AU 2019284129 7/2020
 AU 2019284130 7/2020
 AU 2019284131 7/2020
 AU 2019284133 7/2020
 AU 2019284134 7/2020
 CN 101074057 A 11/2007
 CN 206488529 U 9/2017
 CN 107804580 A 3/2018
 CN 207081259 U 3/2018
 CN 208312853 U 1/2019
 CN 106233083 7/2019
 CN 305240920 7/2019
 CN 110191654 8/2019
 CN 209893773 1/2020
 CN 305553099 1/2020

(56)

References Cited

FOREIGN PATENT DOCUMENTS

CN	305751278	5/2020
CN	306079204	9/2020
DE	666767 C	10/1938
DE	20110247	12/2002
DE	202004010081	9/2004
DE	19981898 B3	7/2005
DE	202007001638	5/2007
DE	202009015164 U1	2/2010
DE	202009015164	3/2010
DE	102011100722 A1	11/2012
DE	202014000386 U1	4/2014
DE	202013007655	1/2015
DE	102019200065	1/2019
DE	102019200067	1/2019
DE	102019200068	1/2019
DE	102019200070	1/2019
DE	112017005901	8/2019
DE	102019200063	7/2020
DE	102019200064	7/2020
EM	005230802-001	4/2018
EM	005230802-002	4/2018
EM	001470413-0001-02	1/2019
EM	005948601-0001-30	1/2019
EP	2772704 A1	9/2014
GB	432256 A	7/1935
GB	2419177 A	4/2006
JP	H1194417 A	4/1999
KR	1020050042093 A	5/2005
WO	9936324 A1	7/1999
WO	2014131679 A1	9/2014
WO	2017071654 A1	5/2017
WO	2018095957 A1	5/2018
WO	2018231826 A1	12/2018
WO	2018233611 A1	12/2018
WO	2019206219 A1	10/2019

OTHER PUBLICATIONS

Dometic 2015 Product Catalog—Coolers.
 Dometic 2016 Product Catalog—Coolers.
 Examination report mailed in EU Design Application No. 005948601-0001/005948601-0030 dated Jan. 9, 2019.
 Examination report mailed in DE Patent Application No. 102019200070.3 dated Sep. 24, 2019.
 Examination report mailed in DE Patent Application No. 102019200064.9 dated Sep. 27, 2019.
 Examination report mailed in DE Patent Application No. 102019200067.3 dated Oct. 8, 2019.
 Examination report mailed in DE Patent Application No. 102019200063.0 dated Oct. 15, 2019.
 Notification to Grant Patent Right for CN Design Application No. 201930331393.8 dated Oct. 29, 2019.
 CN Design application No. 201930331393.8 entitled “Cooler” filed on Jun. 25, 2019.
 CN Patent Application No. 201911066985.7 entitled “Cover for a Cooler” filed Nov. 4, 2019.
 DE Design Application No. 102019200067.3 entitled “Mobile Cooling Box With Ice Maker” filed Jan. 4, 2019.
 DE Patent Application No. 102019200063.0 entitled “Mobile Cooling Box with User Interface Module” filed Jan. 4, 2019.
 DE Patent Application No. 102019200064.9 entitled “Mobile Cooling Box with Latch Handle Opening” filed Jan. 4, 2019.
 DE Patent Application No. 102019200070.3 entitled “Mobile Cooling Box With Hinge Module” filed Jan. 4, 2019.
 European Design Application No. 005948601 “Cooler” filed Jan. 4, 2019.
 Design U.S. Appl. No. 29/666,264 entitled “Cooler” filed Oct. 11, 2018.
 Design U.S. Appl. No. 29/670,885 entitled “Cooler” filed Nov. 20, 2018.

Design U.S. Appl. No. 29/670,888 entitled “Cooler” filed Nov. 20, 2018.
 Design U.S. Appl. No. 29/697,070 entitled “Cooler” filed Jul. 3, 2019.
 Design U.S. Appl. No. 29/697,071 entitled “Cooler” filed Jul. 3, 2019.
 Design U.S. Appl. No. 29/697,069 entitled “Cooler” filed Jul. 3, 2019.
 Design U.S. Appl. No. 29/711,905 entitled “Cover for a Cooler” filed Nov. 4, 2019.
 U.S. Appl. No. 16/728,623 entitled “Mobile Cooling Box with User Interface Module” filed Dec. 27, 2019.
 U.S. Appl. No. 16/728,687 entitled “Mobile Cooling Box with Latch Handle Opening” filed Dec. 27, 2019.
 U.S. Appl. No. 16/728,657 entitled “Mobile Cooling Box with Hinge Module” filed Dec. 27, 2019.
 U.S. Appl. No. 16/728,715 entitled “Mobile Mobile Cooling Box with Ice Maker” filed Dec. 27, 2019.
 AU Patent Application No. 202012545 entitled “Cover for Cooler” filed May 1, 2020.
 AU Patent Application No. 202012548 entitled “Cover for Cooler” filed Apr. 30, 2020.
 European Design Application No. 007847777-0002 “CFX3 Protective covers” filed Apr. 30, 2020.
 Decision to Grant mailed in DE Patent Application No. 102019200064.9 dated Jul. 31, 2020.
 Decision to Grant mailed in DE Patent Application No. 102019200063.0 dated Aug. 4, 2020.
 Restriction Requirement for Design U.S. Appl. No. 29/697,069 dated Sep. 24, 2020.
 U.S. Appl. No. 16/800,512 entitled “Cover for a Cooler” filed Feb. 25, 2020.
 United States Patent Office, Notice of Allowance in U.S. Appl. No. 29/697,070 dated Apr. 28, 2021.
 Design U.S. Appl. No. 29/585,279, filed Nov. 22, 2016 titled Latch.
 Design U.S. Appl. No. 29/605,186, filed May 24, 2017 filed titled Refrigerating Apparatus.
 Design U.S. Appl. No. 29/650,906, filed Jun. 11, 2018 titled Soft Bag Cooler.
 Design U.S. Appl. No. 29/708,155, filed Oct. 3, 2019 titled Latch.
 Design U.S. Appl. No. 29/708,156, filed Oct. 3, 2019 titled Latch.
 U.S. Appl. No. 16/728,646, filed Dec. 27, 2019 titled Mobile Cooling Box with Air Vents.
 U.S. Appl. No. 16/728,604, filed Dec. 27, 2019 titled Mobile Cooling Box with Handle Module.
 Design U.S. Appl. No. 29/743,180, filed Jul. 20, 2020 titled Cooler.
 Decision to Grant mailed in DE Patent Application No. 1020192000681 dated Oct. 15, 2020.
 Examination report mailed in DE Application No. 102019200065.7 dated Sep. 30, 2019.
 Examination report mailed in DE Application No. 102019200068.1 dated Oct. 8, 2019.
 DE Patent application 102020209896.4 entitled “Handle Module” filed on Aug. 5, 2020.
 Decision to Grant mailed in DE Patent Application No. 102019200065.7 dated Aug. 4, 2020.
 Corrected Notice of Allowance Issued in U.S. Appl. No. 29/697,069 dated Feb. 26, 2021.
 Notice of Allowance Issued in U.S. Appl. No. 29/697,071 dated Apr. 12, 2021.
 Corrected Notice of Allowance Issued in U.S. Appl. No. 29/697,070 dated May 19, 2021.
 Notice of Allowance Issued in U.S. Appl. No. 29/697,070 dated Apr. 28, 2021.
 Non Final Office Action Issued in U.S. Appl. No. 16/728,715 dated May 19, 2021.
 Design U.S. Appl. No. 29/785,568, filed May 26, 2021 titled “Cooler Fender Frame”.
 Corrected Notice of Allowance for U.S. Appl. No. 29/697,070 dated Jun. 3, 2021.
 Corrected Notice of Allowance for U.S. Appl. No. 29/697,071 dated Jun. 3, 2021.

(56)

References Cited

OTHER PUBLICATIONS

Design U.S. Appl. No. 29/650,910, filed Jun. 11, 2018 titled “Zipper Pull”.

Restriction Requirement for Design U.S. Appl. No. 29/697,070 dated Dec. 28, 2020.

Notice of Allowance Issued in U.S. Appl. No. 29/697,071 dated Dec. 23, 2020.

AU Patent Application No. 2019284134 entitled “Mobile Cooling Box with Latch Handle Opening” filed Dec. 30, 2019.

AU Patent Application No. 2019284128 entitled “Mobile cooling box with user interface moduler” filed Dec. 30, 2019.

Examination Report Issued for DE Application No. 102020209896.4 dated Apr. 19, 2021.

United States Patent and Trademark Office, Notice of Allowance for U.S. Appl. No. 29/697,069 dated Feb. 1, 2021.

Corrected Notice of Allowance Issued in U.S. Appl. No. 29/697,070 dated Jun. 9, 2021.

Corrected Notice of Allowance Issued in U.S. Appl. No. 29/697,071 dated Jun. 9, 2021.

Notice of Allowance Issued in U.S. Appl. No. 29/711,905 dated Jul. 12, 2021.

Corrected Notice of Allowance Issued in U.S. Appl. No. 29/711,905 dated Aug. 11, 2021.

U.S. Design Appl. No. 29/803,817 titled “Fender Frame, Internal Closure, and Hinge of a Cooler” filed on Aug. 16, 2021.

Restriction Requirement issued in U.S. Appl. No. 16/728,623 dated Aug. 30, 2021.

USPTO, Final Office Action for U.S. Appl. No. 16/728,715 dated Oct. 25, 2021.

USPTO, Non-Final Office Action for U.S. Appl. No. 16/728,604 dated Oct. 25, 2021.

United Kingdom Application No. 6157655 titled “Mini Fridge” filed on Aug. 27, 2021.

United Kingdom Application No. 6157656 titled “Mini Fridge” filed on Aug. 27, 2021.

United Kingdom Application No. 6157637 titled “Mini Fridge” filed on Aug. 27, 2021.

United Kingdom Application No. 6157638 titled “Mini Fridge” filed on Aug. 27, 2021.

United Kingdom Application No. 6157639 titled “Mini Fridge” filed on Aug. 27, 2021.

United Kingdom Application No. 6157640 titled “Mini Fridge” filed on Aug. 27, 2021.

United Kingdom Application No. 6157641 titled “Mini Fridge” filed on Aug. 27, 2021.

United Kingdom Application No. 6157642 titled “Mini Fridge” filed on Aug. 27, 2021.

United Kingdom Application No. 6157643 titled “Mini Fridge” filed on Aug. 27, 2021.

United Kingdom Application No. 6157644 titled “Mini Fridge” filed on Aug. 27, 2021.

United Kingdom Application No. 6157645 titled “Mini Fridge” filed on Aug. 27, 2021.

United Kingdom Application No. 6157646 titled “Mini Fridge” filed on Aug. 27, 2021.

United Kingdom Application No. 6157647 titled “Mini Fridge” filed on Aug. 27, 2021.

United Kingdom Application No. 6157648 titled “Mini Fridge” filed on Aug. 27, 2021.

United Kingdom Application No. 6157649 titled “Mini Fridge” filed on Aug. 27, 2021.

United Kingdom Application No. 6157650 titled “Mini Fridge” filed on Aug. 27, 2021.

United Kingdom Application No. 6157651 titled “Mini Fridge” filed on Aug. 27, 2021.

United Kingdom Application No. 6157652 titled “Mini Fridge” filed on Aug. 27, 2021.

United Kingdom Application No. 6157653 titled “Mini Fridge” filed on Aug. 27, 2021.

United Kingdom Application No. 6157654 titled “Mini Fridge” filed on Aug. 27, 2021.

Corrected Notice of Allowance Issued in U.S. Appl. No. 29/711,905 dated Sep. 24, 2021.

Non Final Office Action Issued in U.S. Appl. No. 16/728,657 dated Nov. 15, 2021.

Notice of Allowance Issued in U.S. Appl. No. 29/785,568 dated Nov. 16, 2021.

Final Office Action Issued in U.S. Appl. No. 16/728,715 dated Oct. 7, 2021.

Office Action Issued in U.S. Appl. No. 16/728,646 dated Dec. 21, 2021.

Corrected Notice of Allowance Issued in U.S. Appl. No. 29/785,568 dated Dec. 6, 2021.

Office Action Issued in German Patent Application No. 102019200070.3 dated Aug. 25, 2021.

Notice of Allowance Issued in U.S. Appl. No. 16/728,715 dated Feb. 2, 2022.

Notice of Allowance Issued in U.S. Appl. No. 29/785,568 dated Feb. 8, 2022.

Decision to Grant Issued in German Application No. 102019200070.3 dated Mar. 2, 2022.

Corrected Notice of Allowance Issued in U.S. Appl. No. 16/728,715 dated Feb. 23, 2022.

Corrected Notice of Allowance Issued in U.S. Appl. No. 29/785,568 dated Mar. 9, 2022.

Corrected Notice of Allowance Issued in U.S. Appl. No. 16/728,715 dated Mar. 9, 2022.

Notice of Allowance Issued in U.S. Appl. No. 16/728,657 dated Mar. 9, 2022.

Notice of Allowance Issued in U.S. Appl. No. 16/728,604 dated Apr. 13, 2022.

* cited by examiner

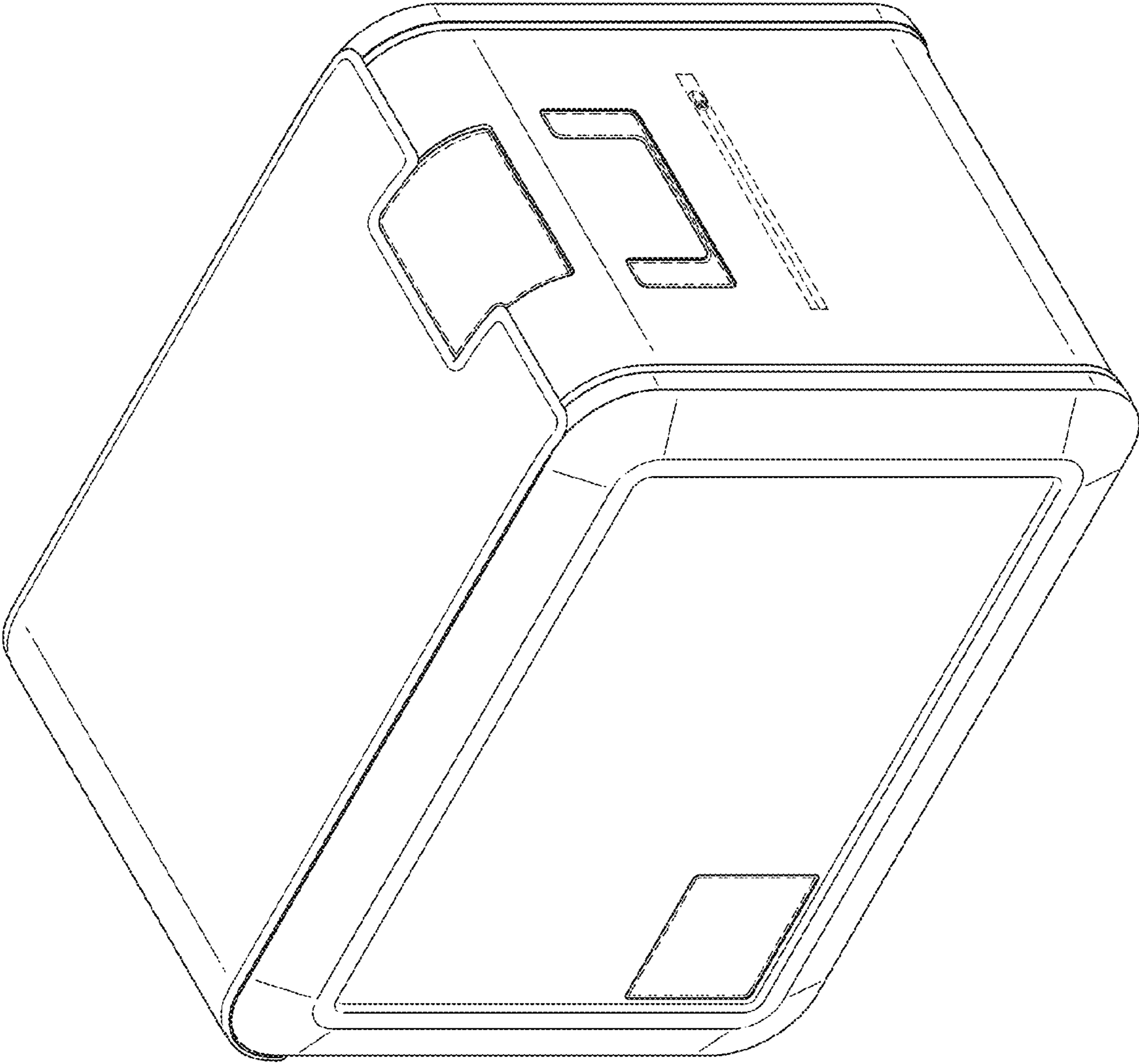


FIG. 1

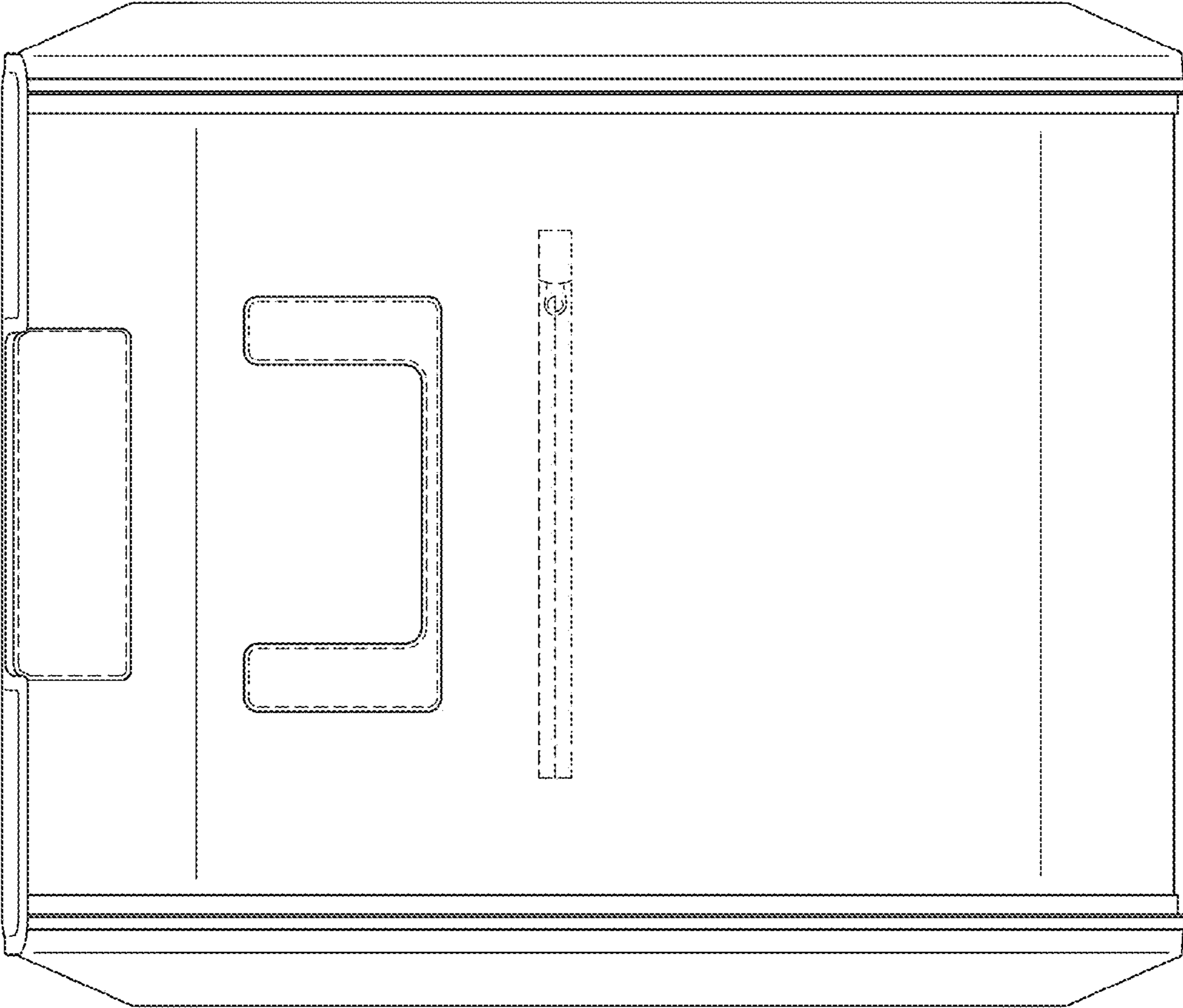


FIG. 2

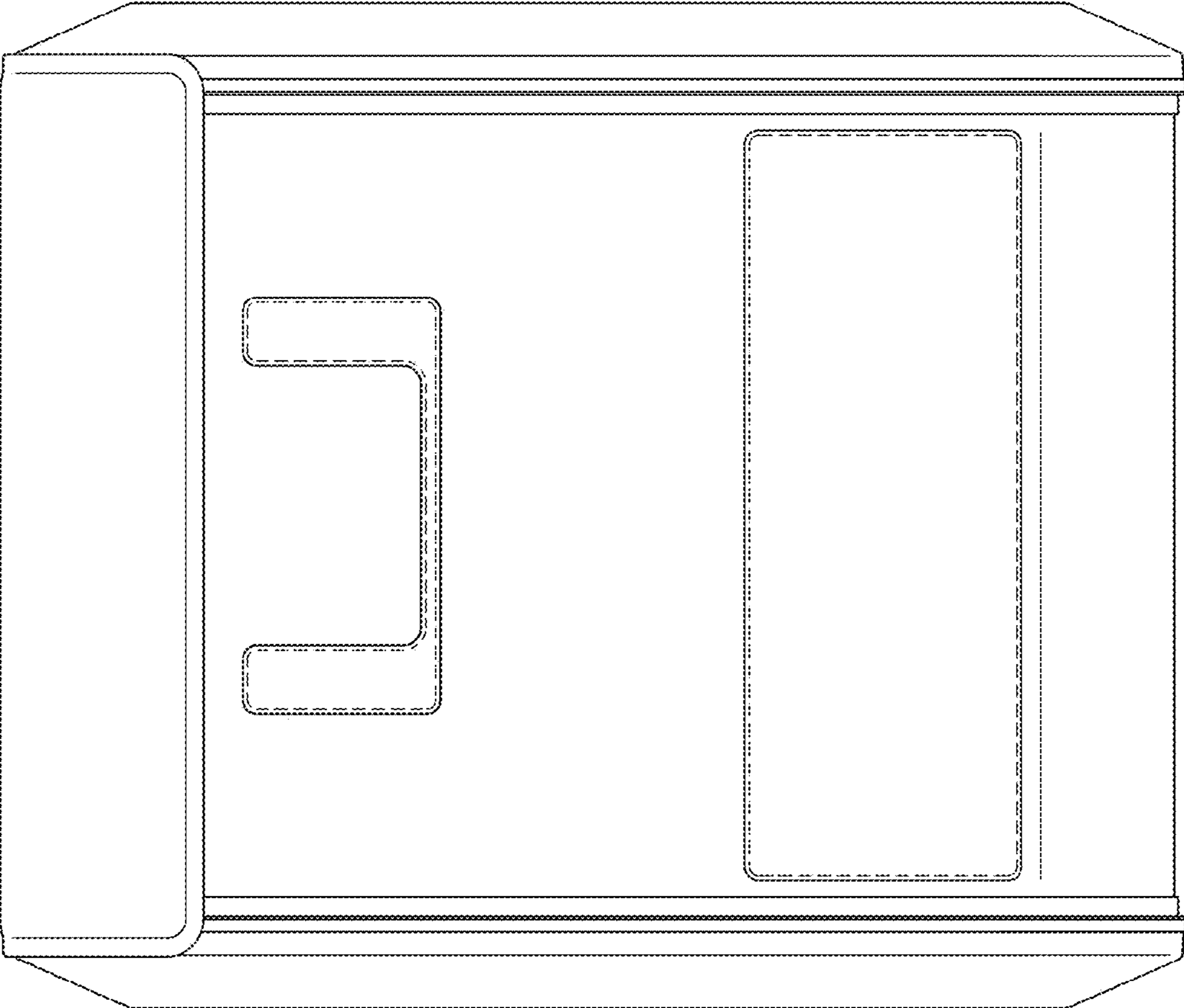


FIG. 3

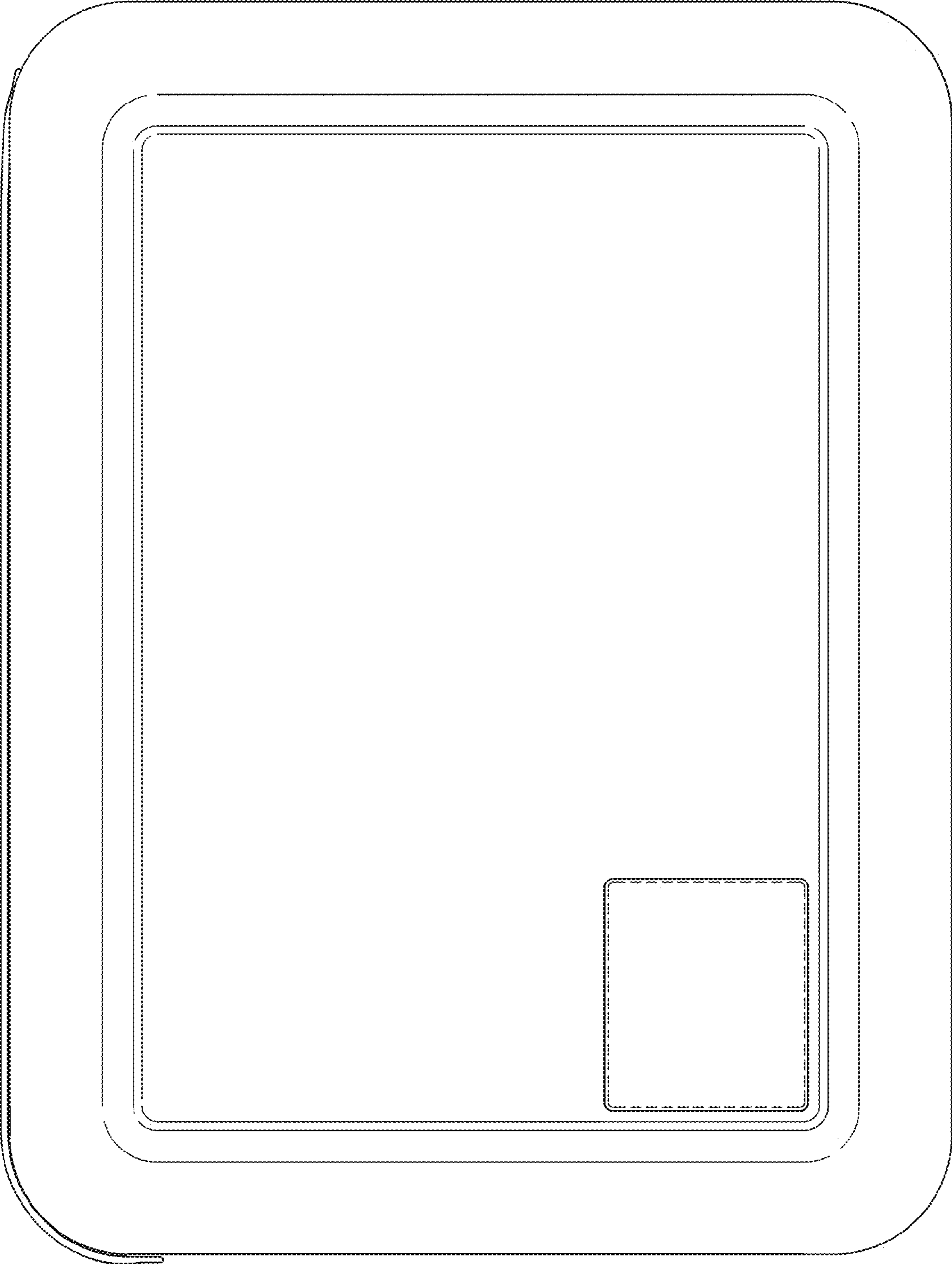


FIG. 4

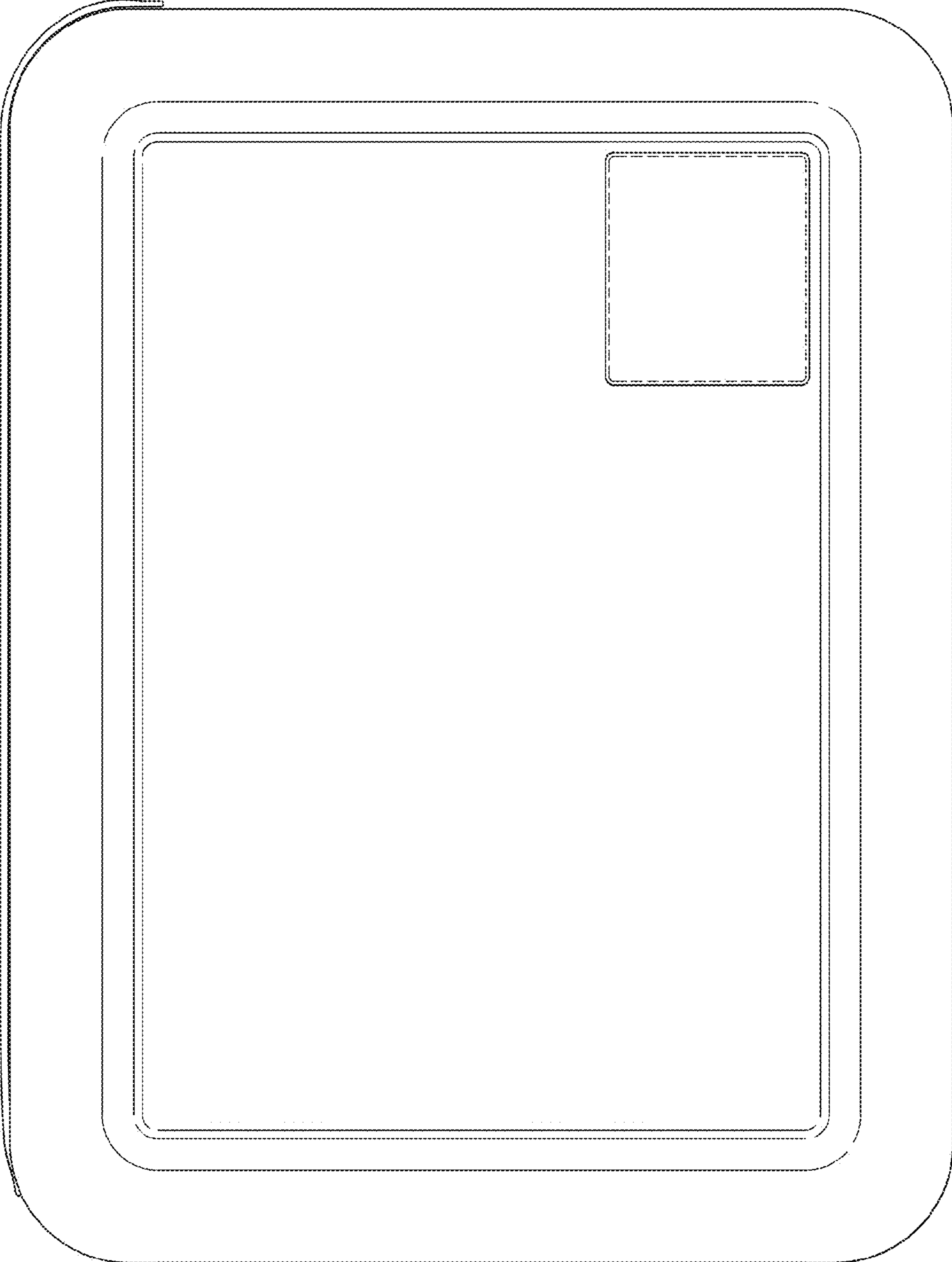


FIG. 5

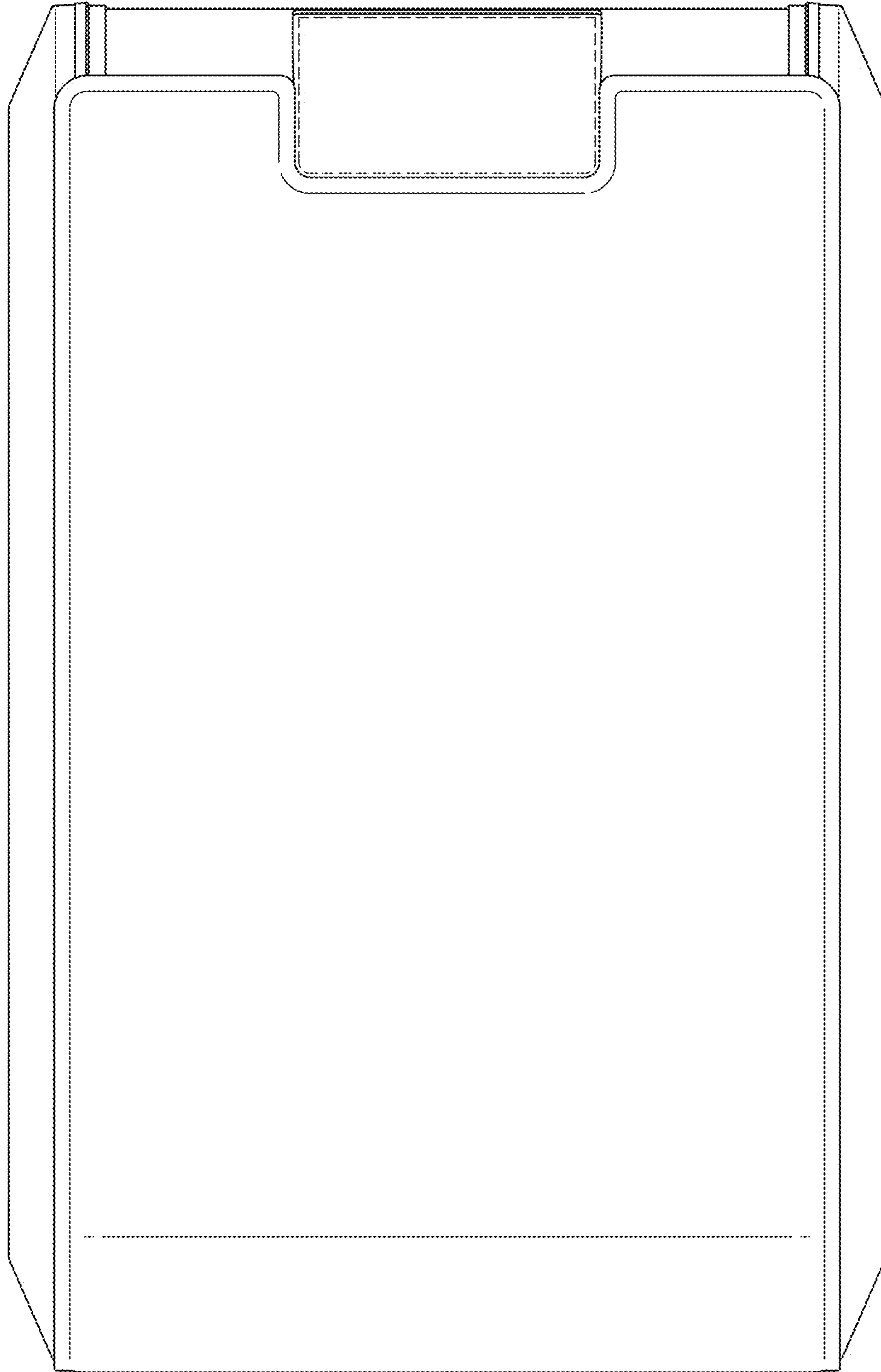


FIG. 6

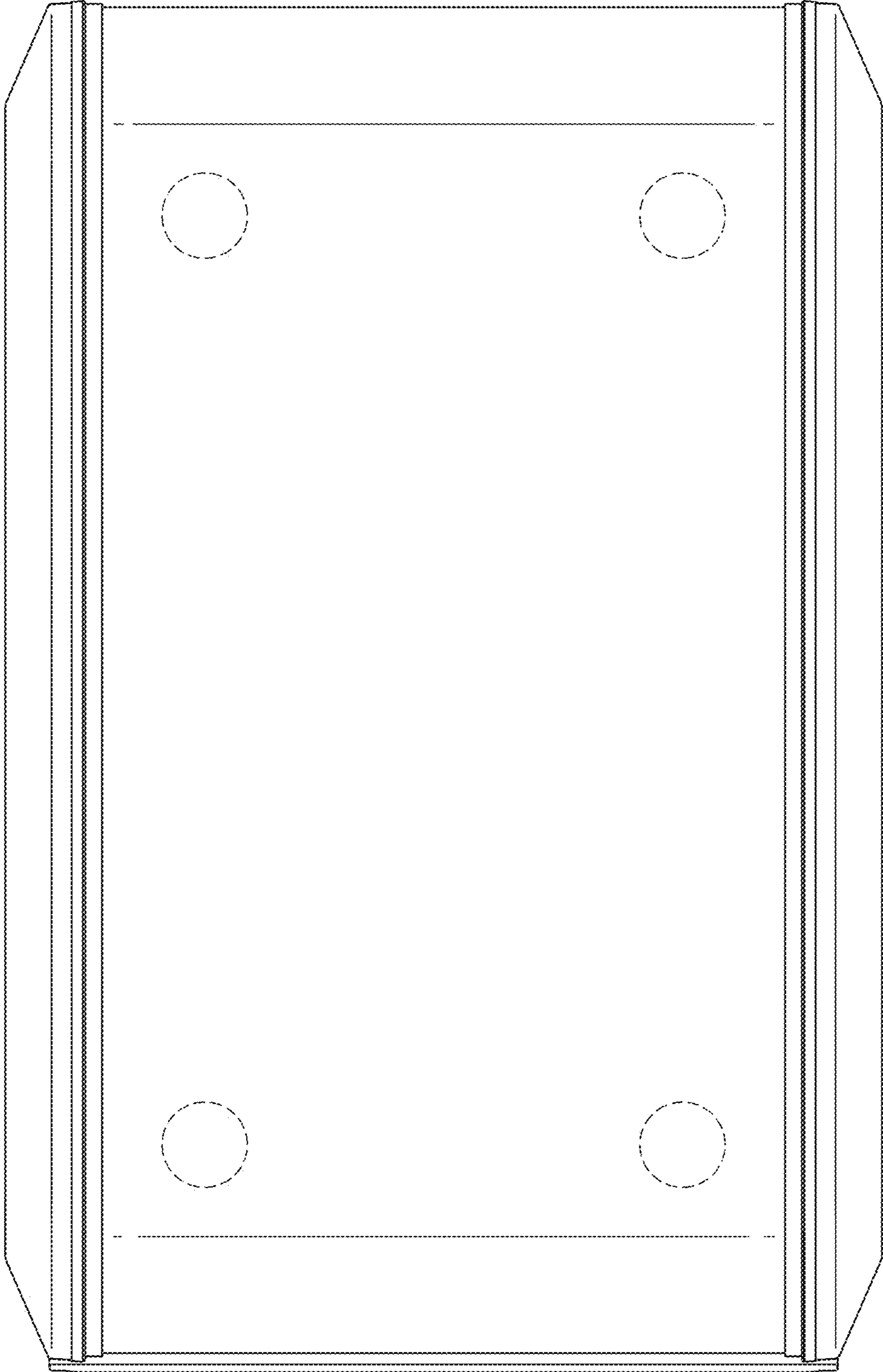


FIG. 7

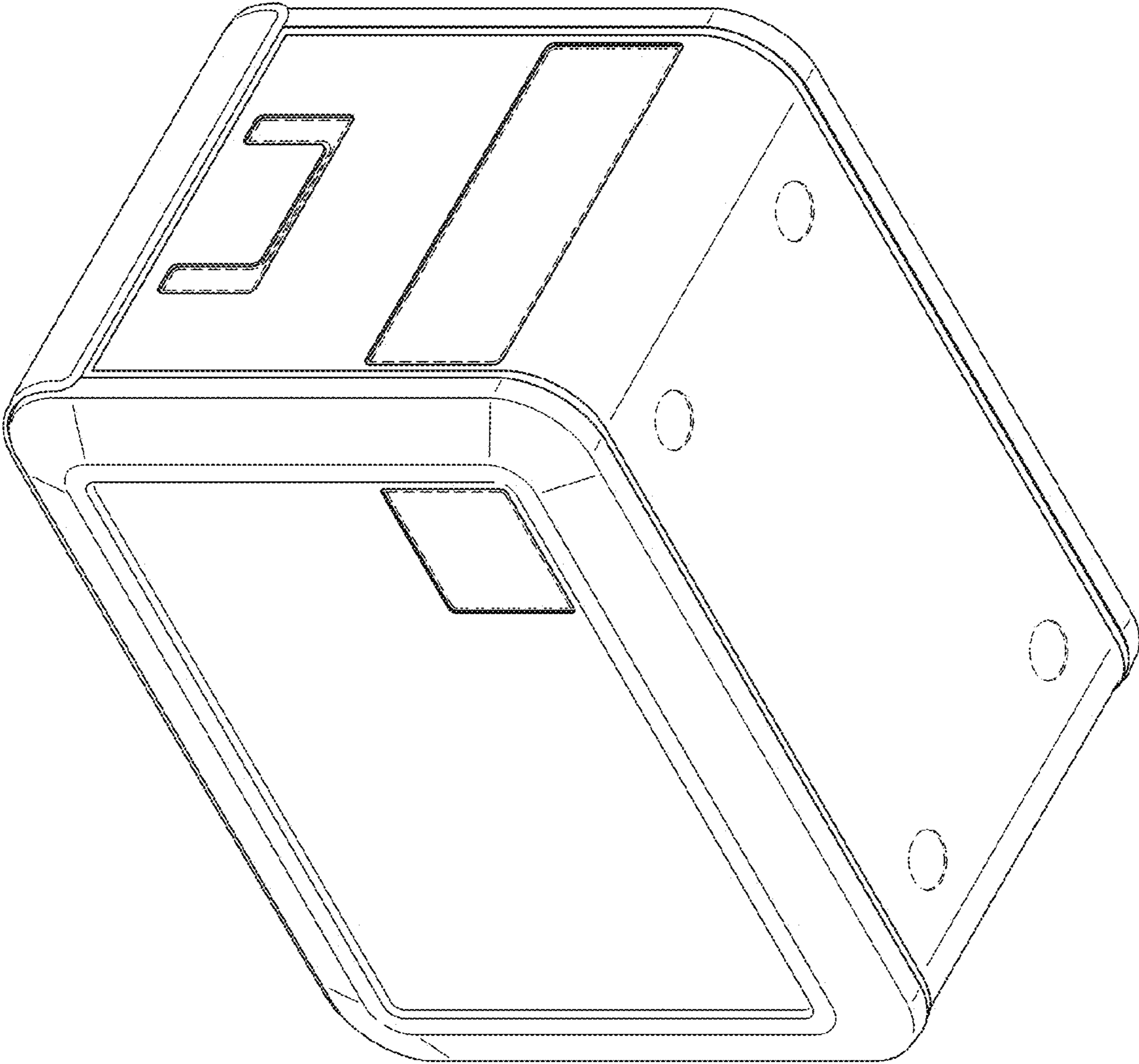


FIG. 8