



US00D953813S

(12) **United States Design Patent**
Liao

(10) **Patent No.:** **US D953,813 S**

(45) **Date of Patent:** **** Jun. 7, 2022**

- (54) **SILICONE SEALED BOWL**
- (71) Applicant: **Changxu Liao**, Xinxu (CN)
- (72) Inventor: **Changxu Liao**, Xinxu (CN)
- (**) Term: **15 Years**
- (21) Appl. No.: **29/745,146**
- (22) Filed: **Aug. 4, 2020**
- (51) **LOC (13) Cl.** **07-07**
- (52) **U.S. Cl.**
USPC **D7/602**
- (58) **Field of Classification Search**
USPC D7/602, 605; D9/702, 703, 709, 761,
D9/414, 416, 424, 425, 428; D3/201,
D3/203.1
CPC ... B65D 1/00; B65D 1/10; B65D 1/24; B65D
1/26; B65D 1/40; B65D 85/00
See application file for complete search history.

- D876,172 S * 2/2020 Finell D7/602
- D879,563 S 3/2020 Xu
- D880,249 S 4/2020 Xu
- D885,931 S 6/2020 Yosufy
- D886,532 S 6/2020 Peng
- D886,534 S * 6/2020 Finell D7/602
- D915,149 S * 4/2021 Armistead D7/602

* cited by examiner

Primary Examiner — Andrew Kerr

(74) *Attorney, Agent, or Firm* — Law Offices of Steven W. Weinrieb

(57) **CLAIM**

The ornamental design for a silicone sealed bowl, as shown and described.

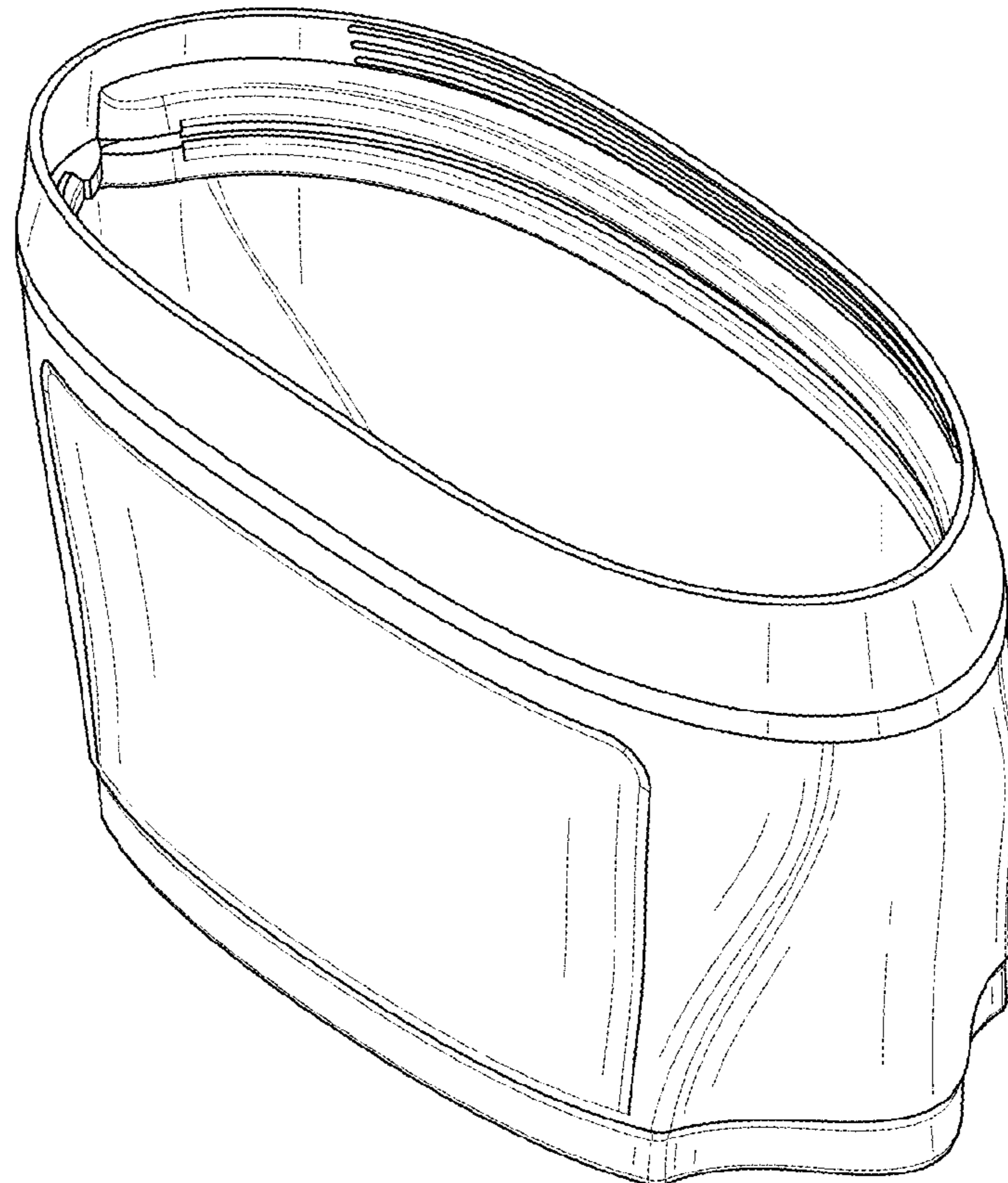
DESCRIPTION

FIG. 1 is a front, right side, top perspective view of a silicone sealed bowl showing my new design;
 FIG. 2 is a front elevational view thereof;
 FIG. 3 is a rear side elevational view thereof;
 FIG. 4 is a left side elevational view thereof;
 FIG. 5 is a right side elevational view thereof;
 FIG. 6 is a top plan view thereof;
 FIG. 7 is a bottom plan view thereof; and,
 FIG. 8 is a cross-sectional view of the silicone sealed bowl as taken along the lines 8-8 of FIG. 2.

1 Claim, 8 Drawing Sheets

(56) **References Cited**
 U.S. PATENT DOCUMENTS

- D465,887 S * 11/2002 Begnani D32/35
- D514,389 S * 2/2006 Luna D7/602
- D540,123 S * 4/2007 George D7/602
- D672,617 S * 12/2012 Stamper D7/602
- D673,010 S * 12/2012 Stamper D7/602
- D753,482 S * 4/2016 Serrano D9/428
- D869,957 S 12/2019 Ryszawy



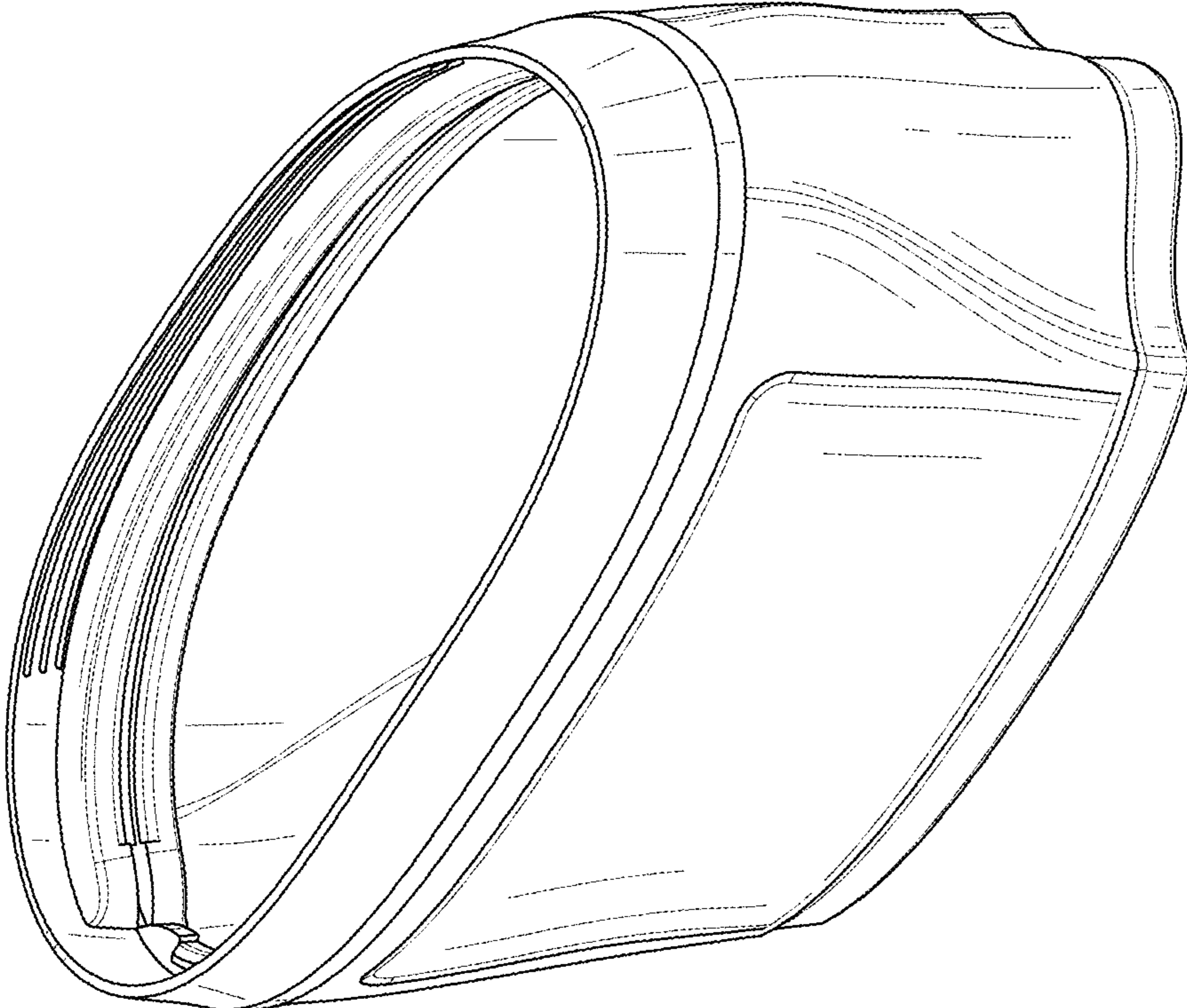


FIG.1

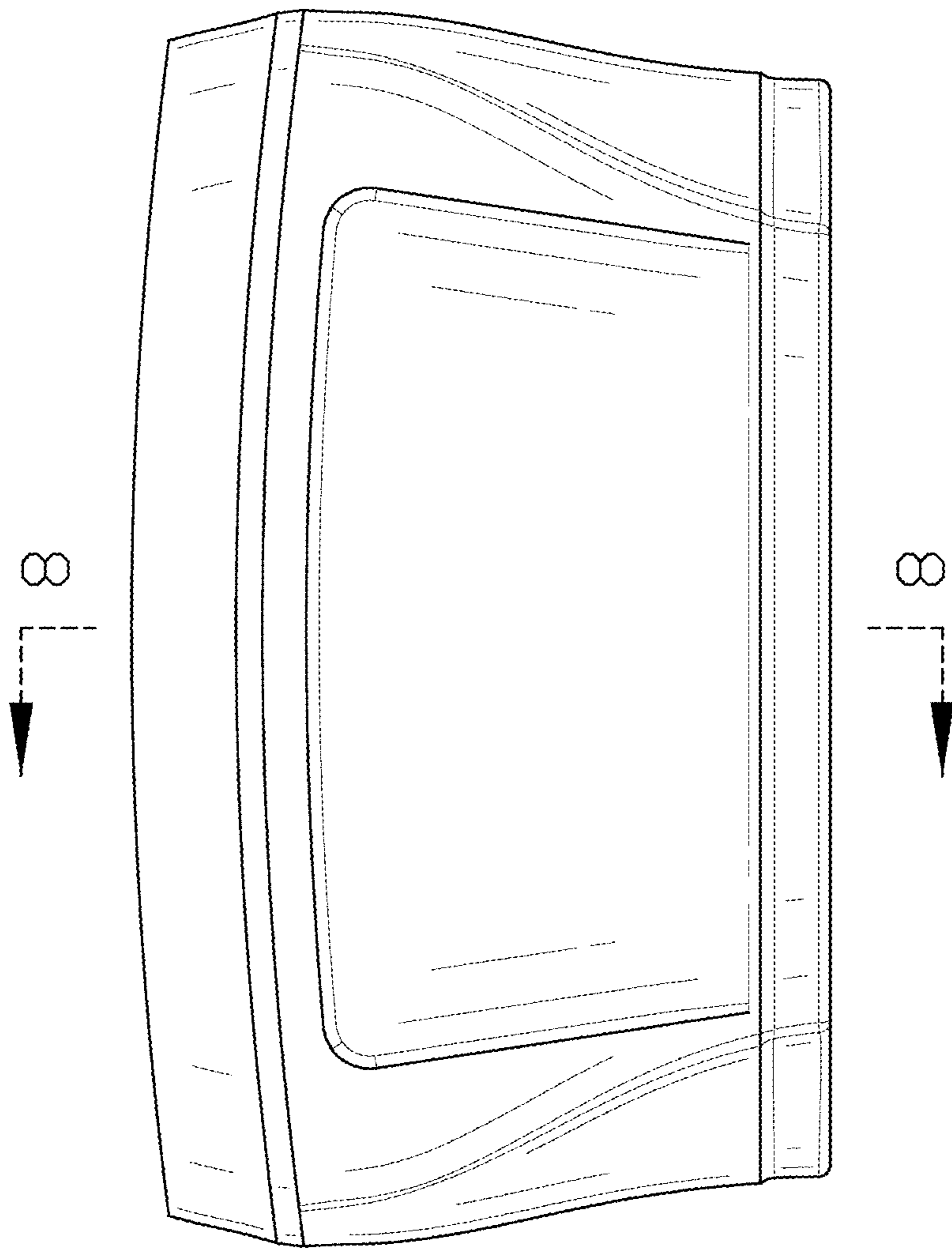


FIG.2

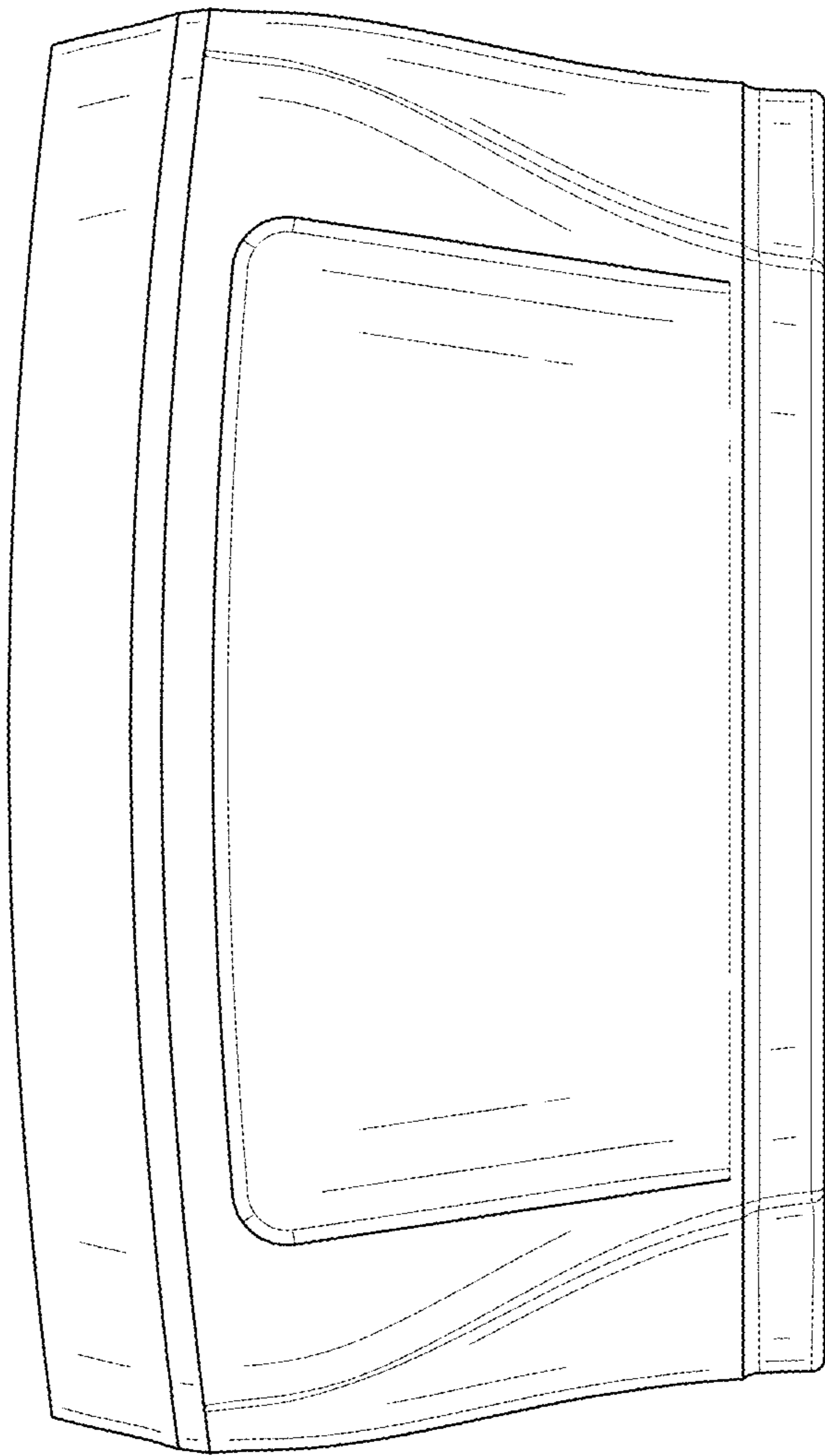


FIG. 3

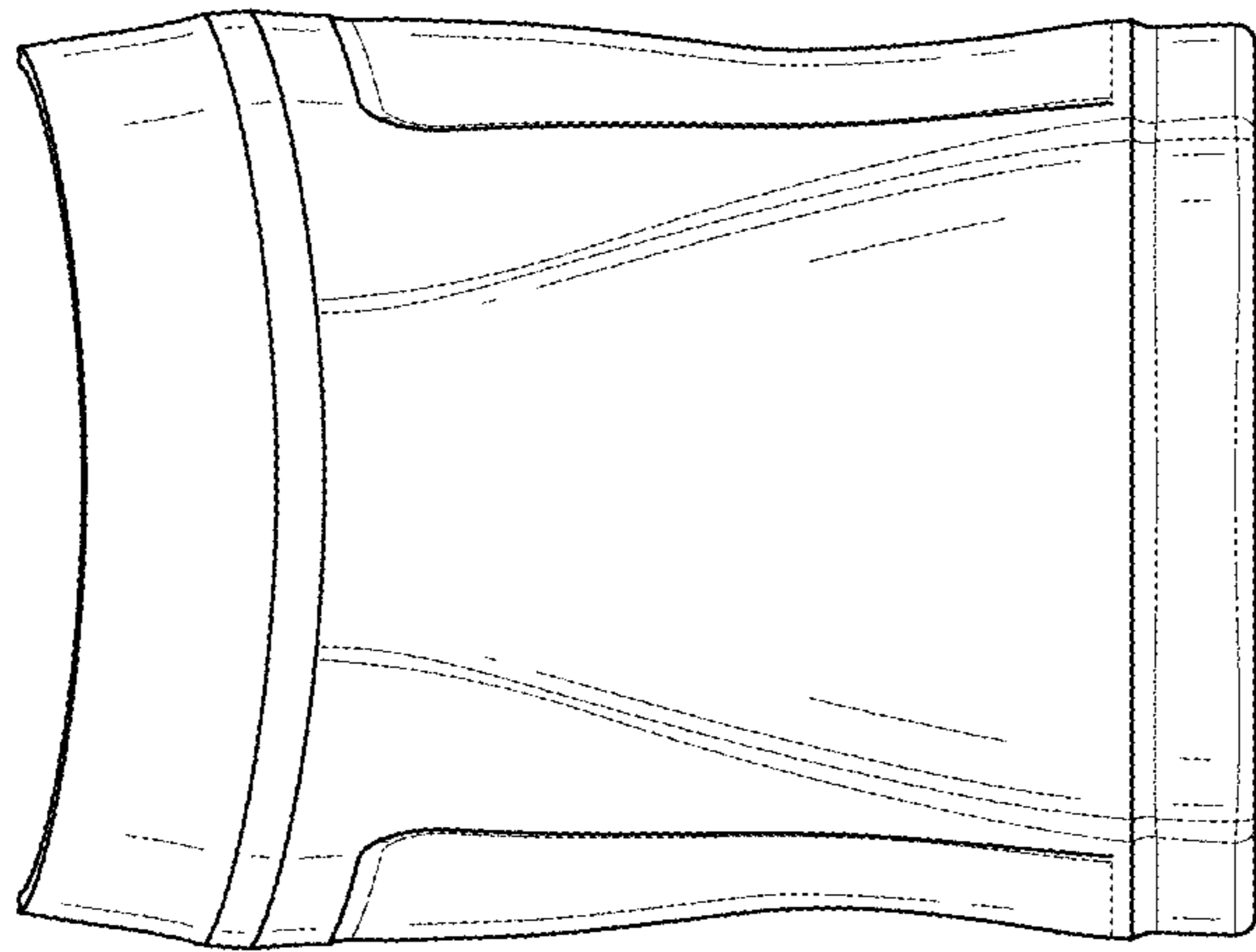


FIG. 4

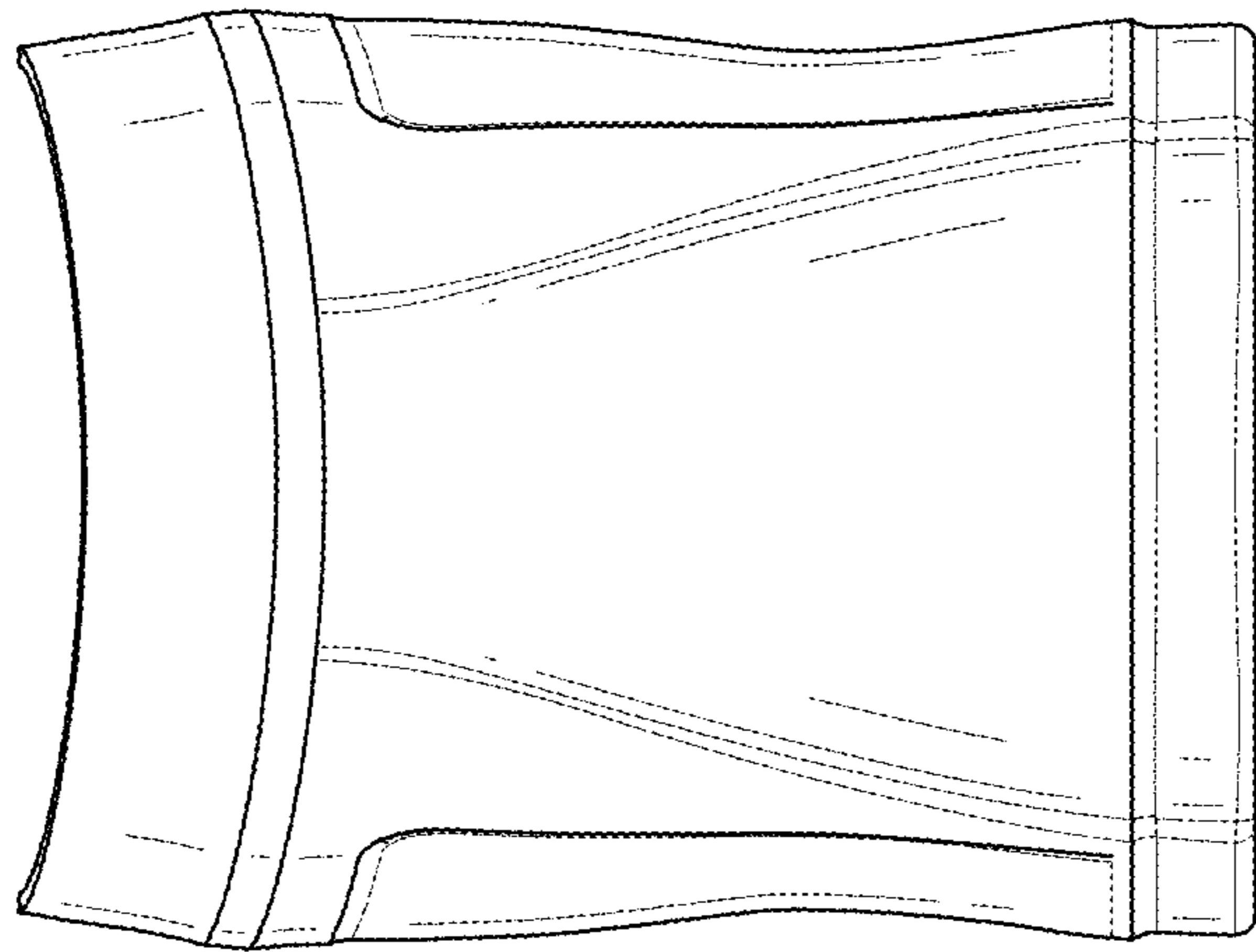


FIG. 5

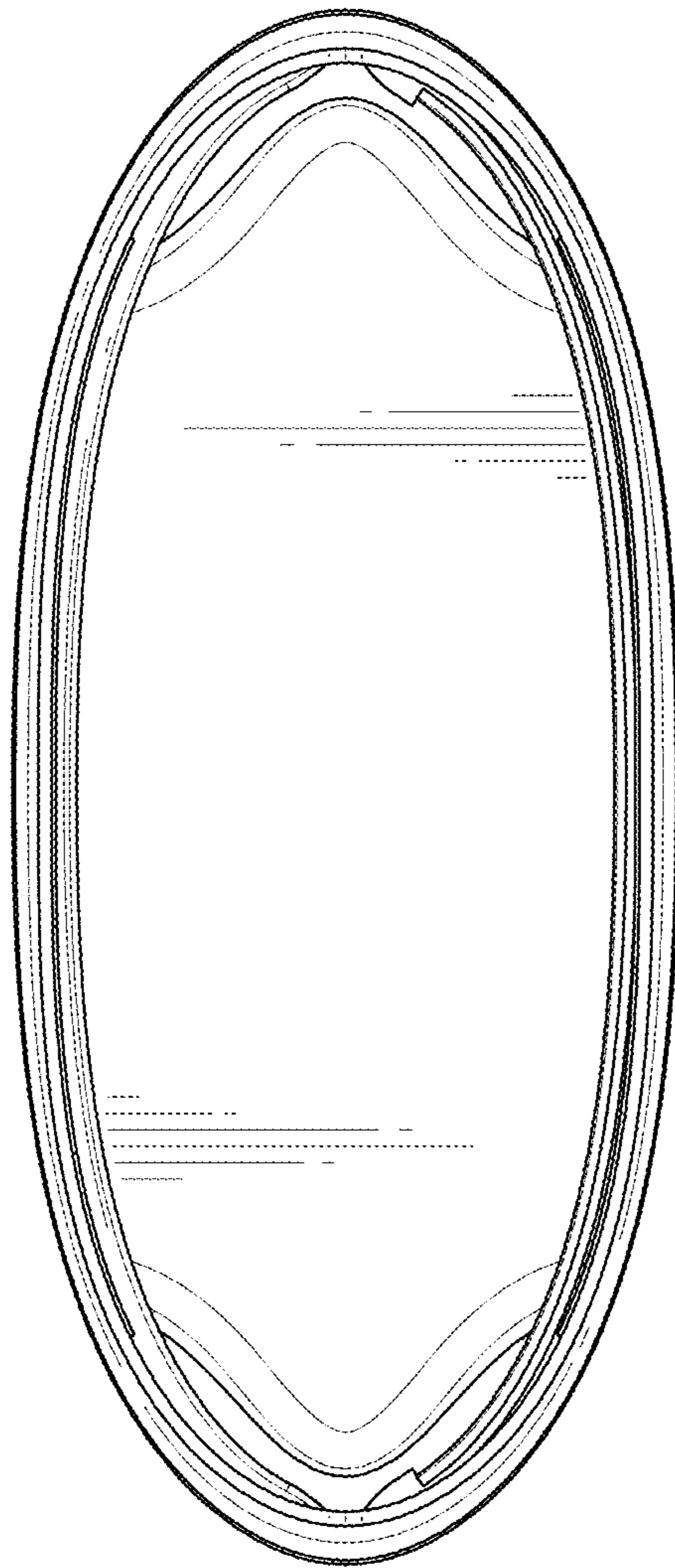


FIG. 6

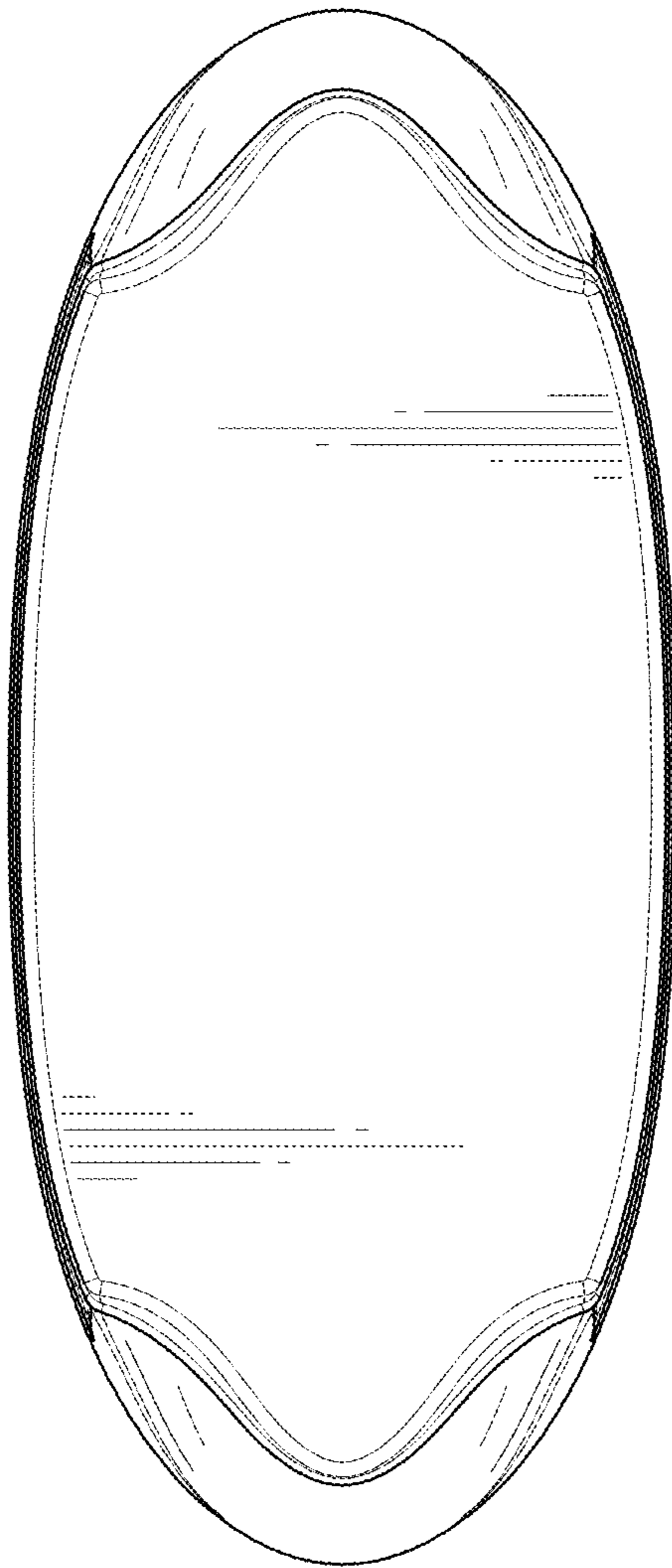


FIG. 7

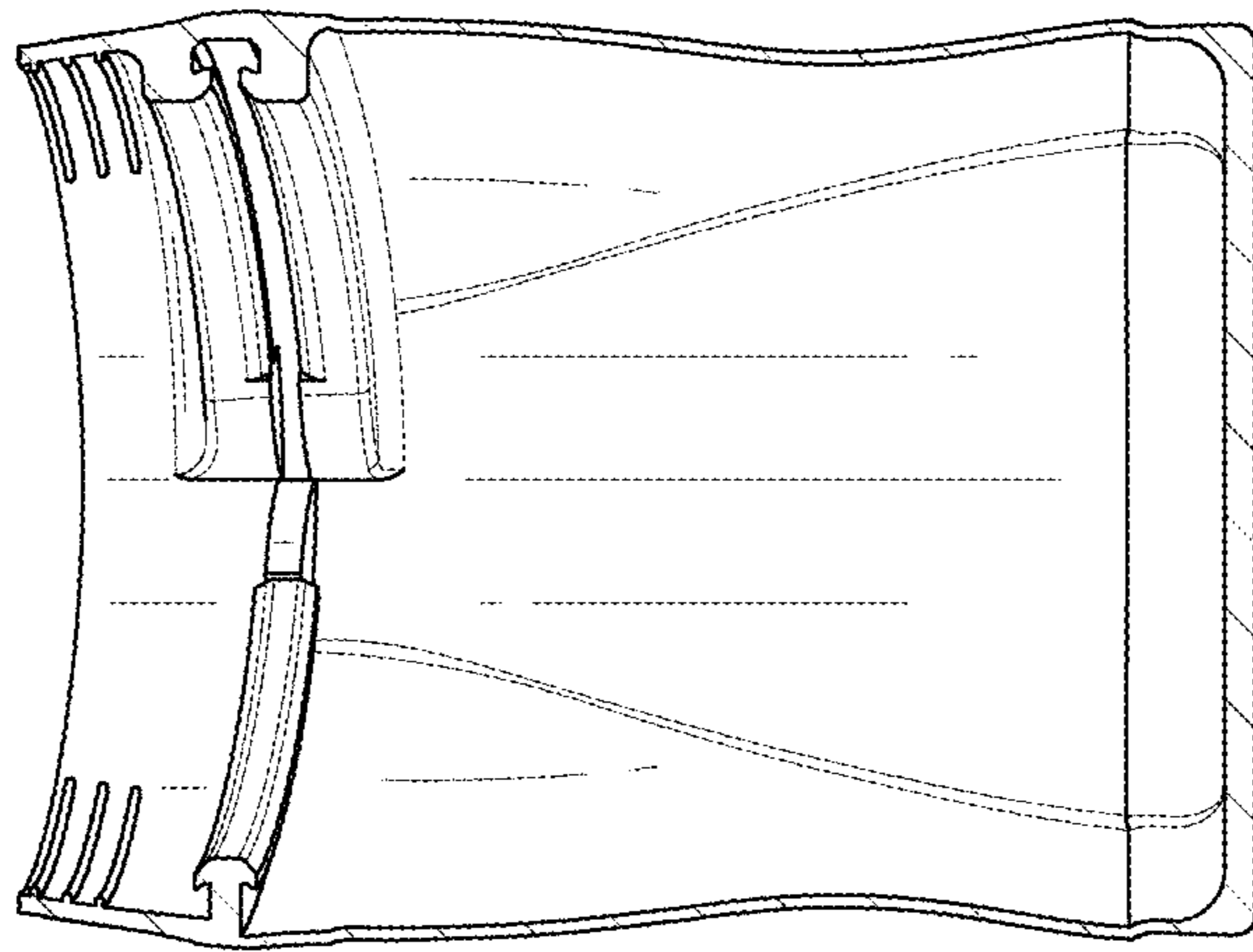


FIG. 8