



US00D953812S

(12) **United States Design Patent**
Walters

(10) **Patent No.:** **US D953,812 S**
(45) **Date of Patent:** **** Jun. 7, 2022**

(54) **SPICE RACK**

(71) Applicant: **Marvin Walters**, Stone Mountain, GA
(US)

(72) Inventor: **Marvin Walters**, Stone Mountain, GA
(US)

(**) Term: **15 Years**

(21) Appl. No.: **29/762,707**

(22) Filed: **Dec. 17, 2020**

(51) **LOC (13) Cl.** **07-99**

(52) **U.S. Cl.**
USPC **D7/600.1**

(58) **Field of Classification Search**
USPC D7/408-409, 550.1, 552.2, 553.1, 553.2,
D7/554.3, 590, 592, 596-597, 600.1,
D7/600.3-600.4, 601-602, 619.1, 630,
D7/632, 690, 704-705, 707, 637-638;
D6/524-525, 537, 566-567, 571, 654.11,
D6/654.18, 655.11, 675.1-675.4, 683.1,
D6/677.2, 677.5, 678.4, 692.4-692.6,
D6/696.3, 705, 705.6, 706; D9/681, 737,
D9/745, 747, 756-758, 761; D3/304-306
CPC A47F 5/01; A47L 19/04; A47K 3/281; A47K
1/09; A47B 55/02; A47B 88/90; A47B
88/40

See application file for complete search history.

(56) **References Cited**

U.S. PATENT DOCUMENTS

D371,729 S * 7/1996 White D7/600.1
5,738,425 A * 4/1998 Rosenberg A47B 88/90
312/348.3
D402,855 S * 12/1998 Zapata D7/637
D494,024 S * 8/2004 Welch D7/637
D660,085 S * 5/2012 Boone D7/553.2

(Continued)

FOREIGN PATENT DOCUMENTS

KR 300666545.0000 * 11/2012
KR 300935675.0000 * 11/2017

(Continued)

OTHER PUBLICATIONS

Bamboo Kitchen Drawer Starter Kit, The Container Store, containerstore.com, author unlisted, published on Mar. 21, 2020 per wayback machine © 2021 The Container Store, Inc., online, site visited Nov. 4, 2021. Available URL: <https://www.containerstore.com/s/kitchen/our-kitchen-starter-kits/bamboo> (Year: 2020).*

(Continued)

Primary Examiner — Lakiya G Rogers

Assistant Examiner — Altaira J Swangin

(74) *Attorney, Agent, or Firm* — Michael J. Bootcheck, LLC; Michael J. Bootcheck

(57) **CLAIM**

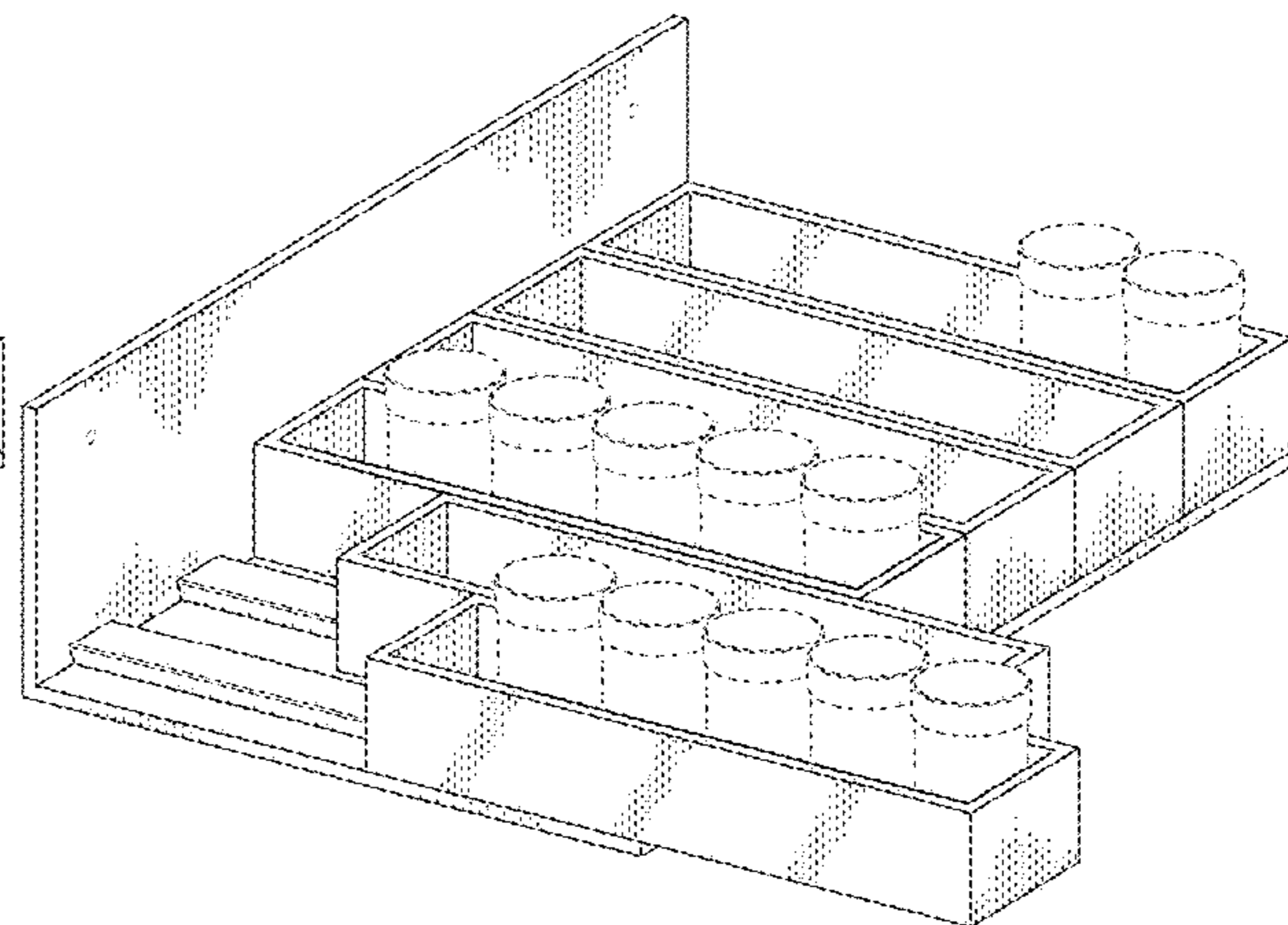
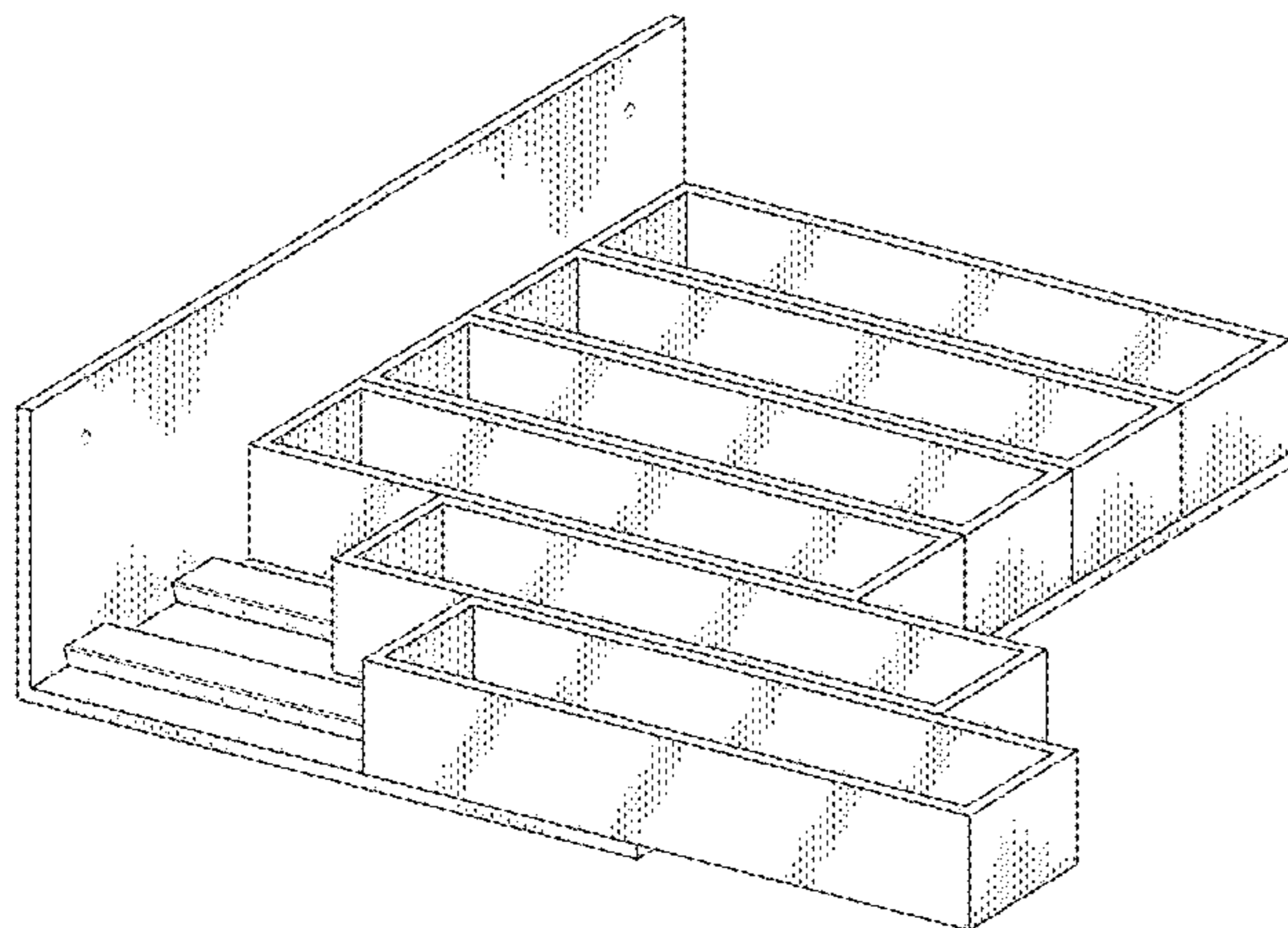
The ornamental design for a spice rack, as shown and described.

DESCRIPTION

FIG. 1 is a top perspective view of the spice rack in a state of use;
FIG. 2 is a front view thereof in another state of use;
FIG. 3 is a rear view thereof;
FIG. 4 is a side view;
FIG. 5 is a second side view thereof;
FIG. 6 is a top view thereof;
FIG. 7 is a bottom view thereof; and,
FIG. 8 is another perspective view of the spice rack, shown in a state of use with environment.

The broken lines in the drawings show portions of the spice rack and form no part of the claimed design. The additional set of broken lines in FIG. 8, showing components within the spice rack, show environment and form no part thereof.

1 Claim, 6 Drawing Sheets



(56)

References Cited

U.S. PATENT DOCUMENTS

D660,086 S * 5/2012 Buchman D7/553.2
 D687,680 S * 8/2013 Betesh D7/600.4
 D752,369 S * 3/2016 Coleman D6/675
 D779,879 S * 2/2017 Walker D7/507
 D843,791 S * 3/2019 Noe D7/637
 D886,543 S * 6/2020 Repko D7/637
 D886,544 S * 6/2020 Repko D7/637
 D898,527 S * 10/2020 Repko D7/637
 D898,528 S * 10/2020 Repko D7/637
 D908,436 S * 1/2021 Lu D7/553.2
 D923,429 S * 6/2021 Repko D7/637
 2015/0136718 A1 * 5/2015 Sabounjian A47J 31/3642
 211/85.4
 2021/0321791 A1 * 10/2021 Sun A47F 5/005

FOREIGN PATENT DOCUMENTS

KR 300981277.0000 * 11/2018
 KR 301053137.0000 * 4/2020

OTHER PUBLICATIONS

16x3x19 in Cutlery Divider Tray, Home Depot, homedepot.com, author unlisted, published on Jan. 12, 2014 per wayback machine © 2000-2021 Home Depot Product Authority, online, site visited Nov. 4, 2021. Available URL: <https://www.homedepot.com/p/Home-Decorators-Collection-16x3x19-in-Cutlery-Divide> (Year: 2014).*

Acacia Expandable Flatware Tray, Crate and Barrel, crateandbarrel.com, author unlisted, published on Jul. 15, 2021 per wayback machine © 2021 Crate and Barrel, online, site visited Nov. 30, 2021. Available from Internet, URL: <https://www.crateandbarrel.com/acacia-expandable-flatware-tray/s272815> (Year: 2021).*

Double Cutlery Drawer, brand unlisted, kitchensource.com, author unlisted, published on Oct. 2, 2017 per wayback machine © 1996-2021 kitchensource.com, online, site visited Nov. 30, 2021. Available from Internet, URL: <https://www.kitchensource.com/drawer-organizer/hrs-cd15.htm> (Year: 2017).*

* cited by examiner

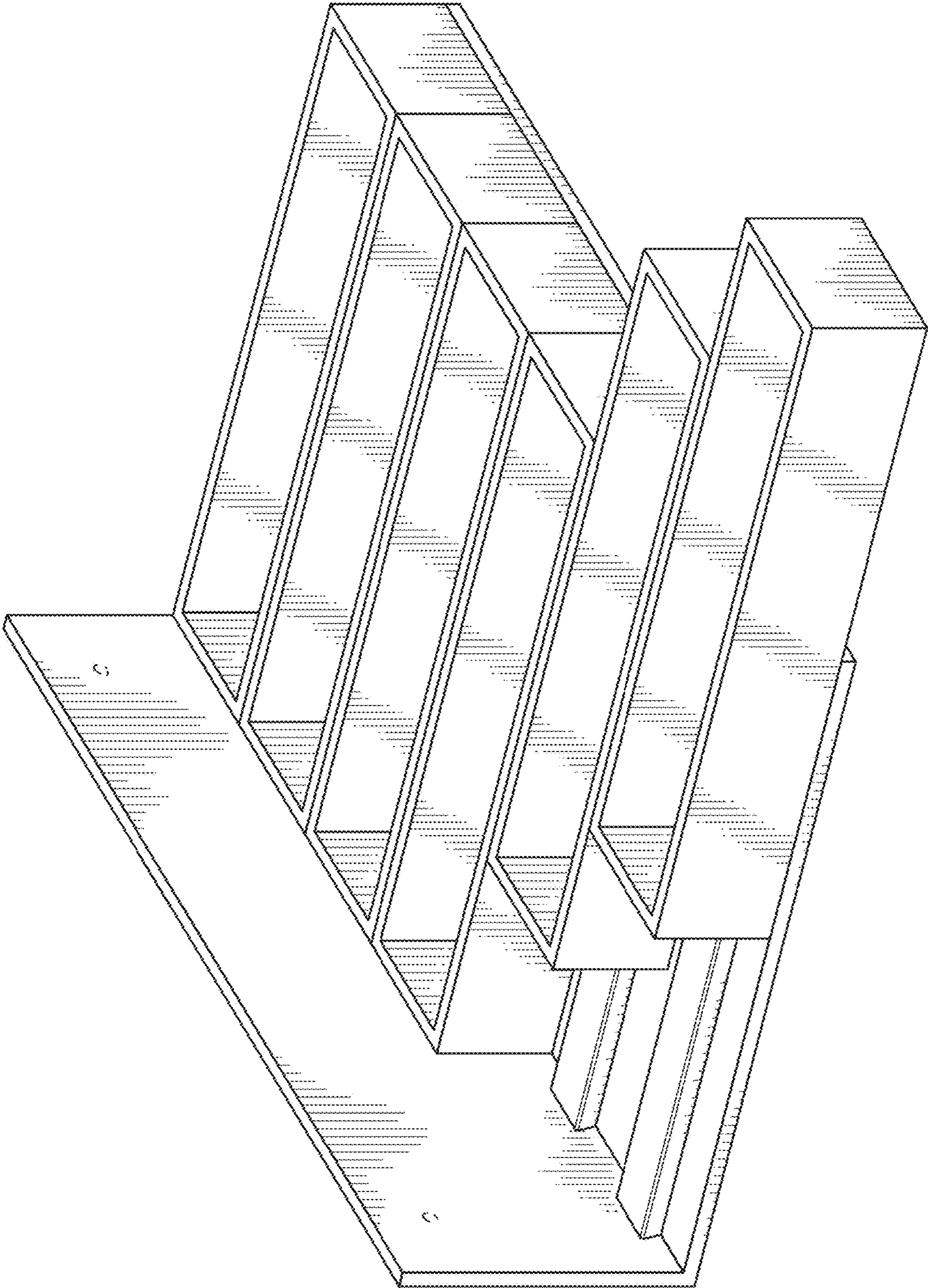


FIG. 1

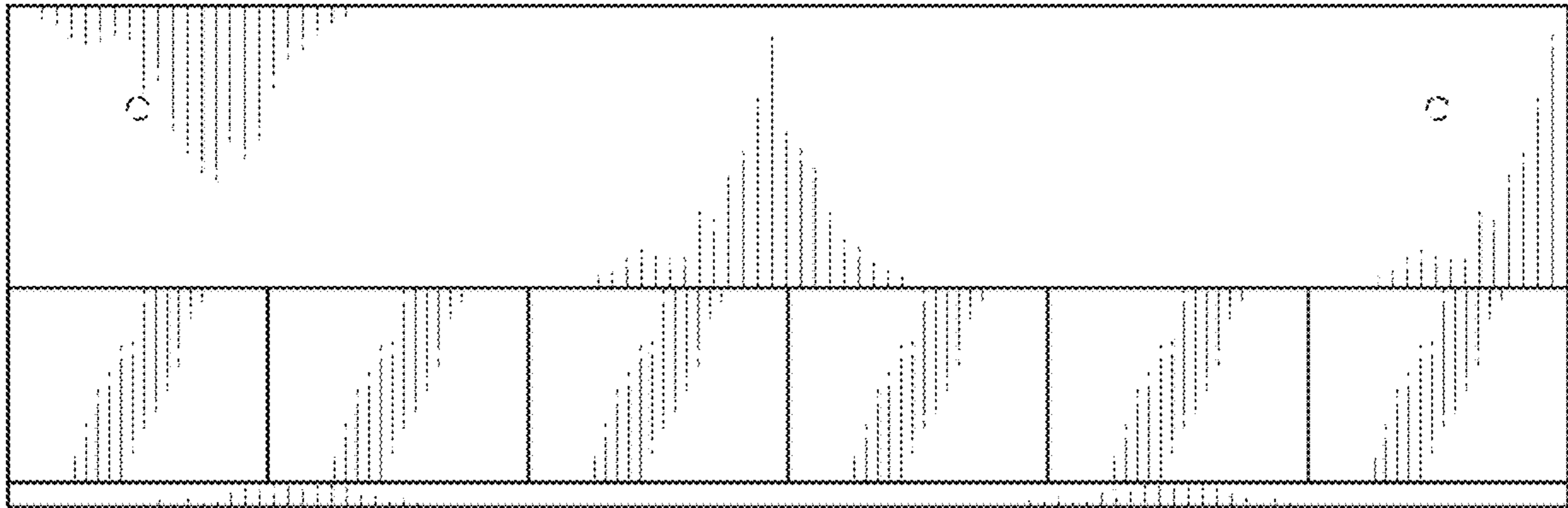


FIG. 2

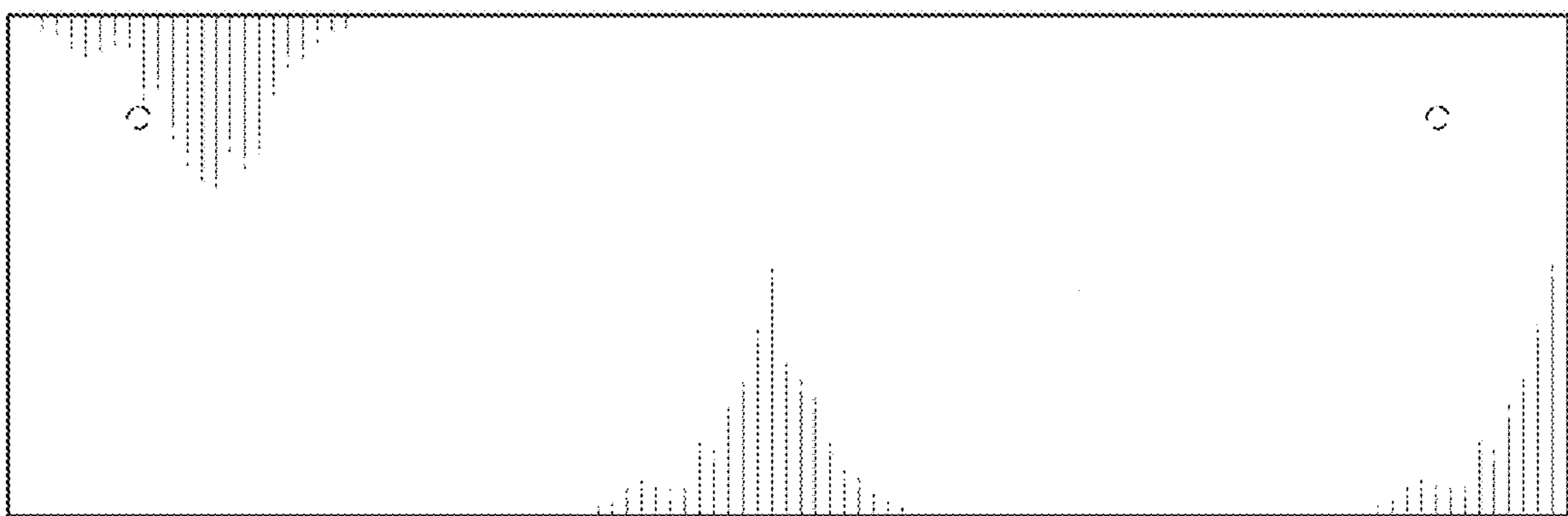


FIG. 3

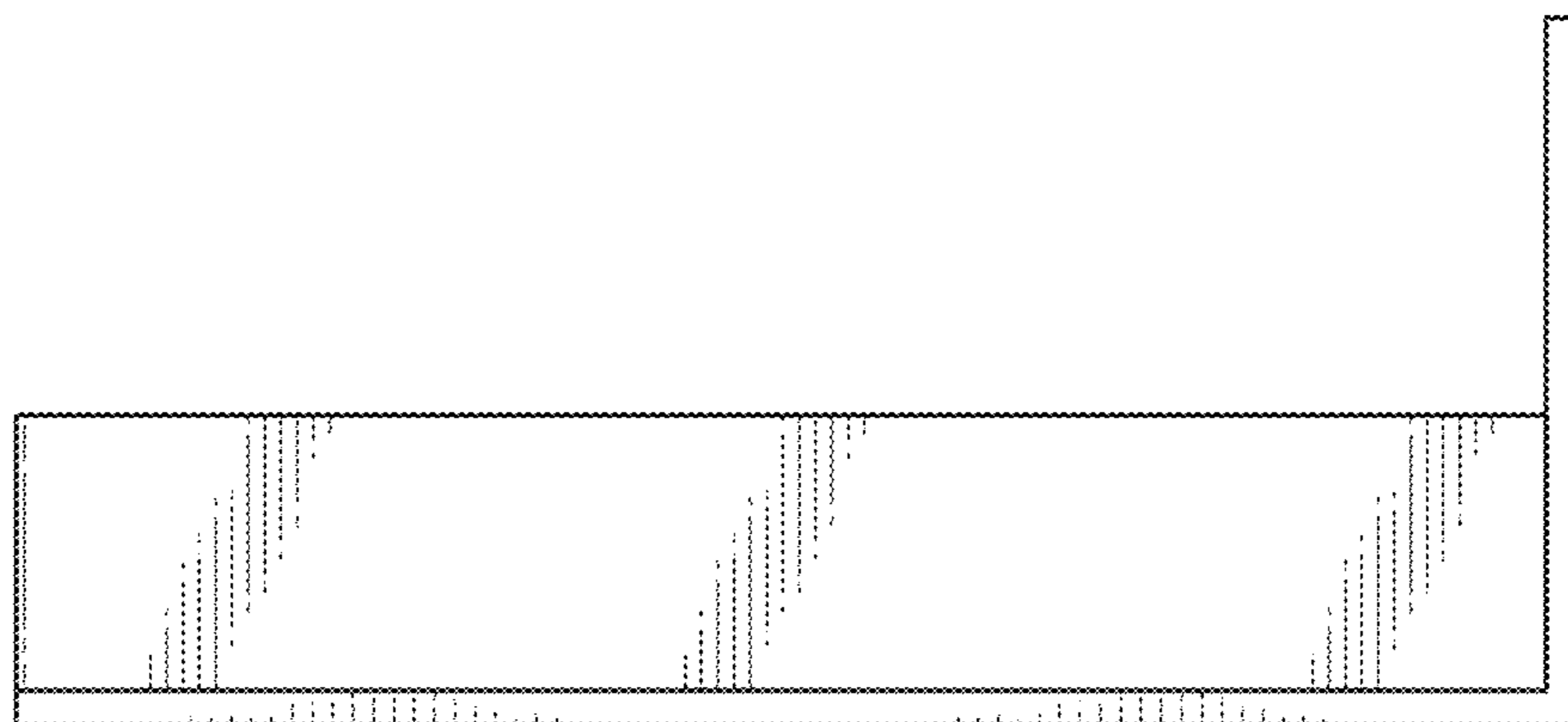


FIG. 4

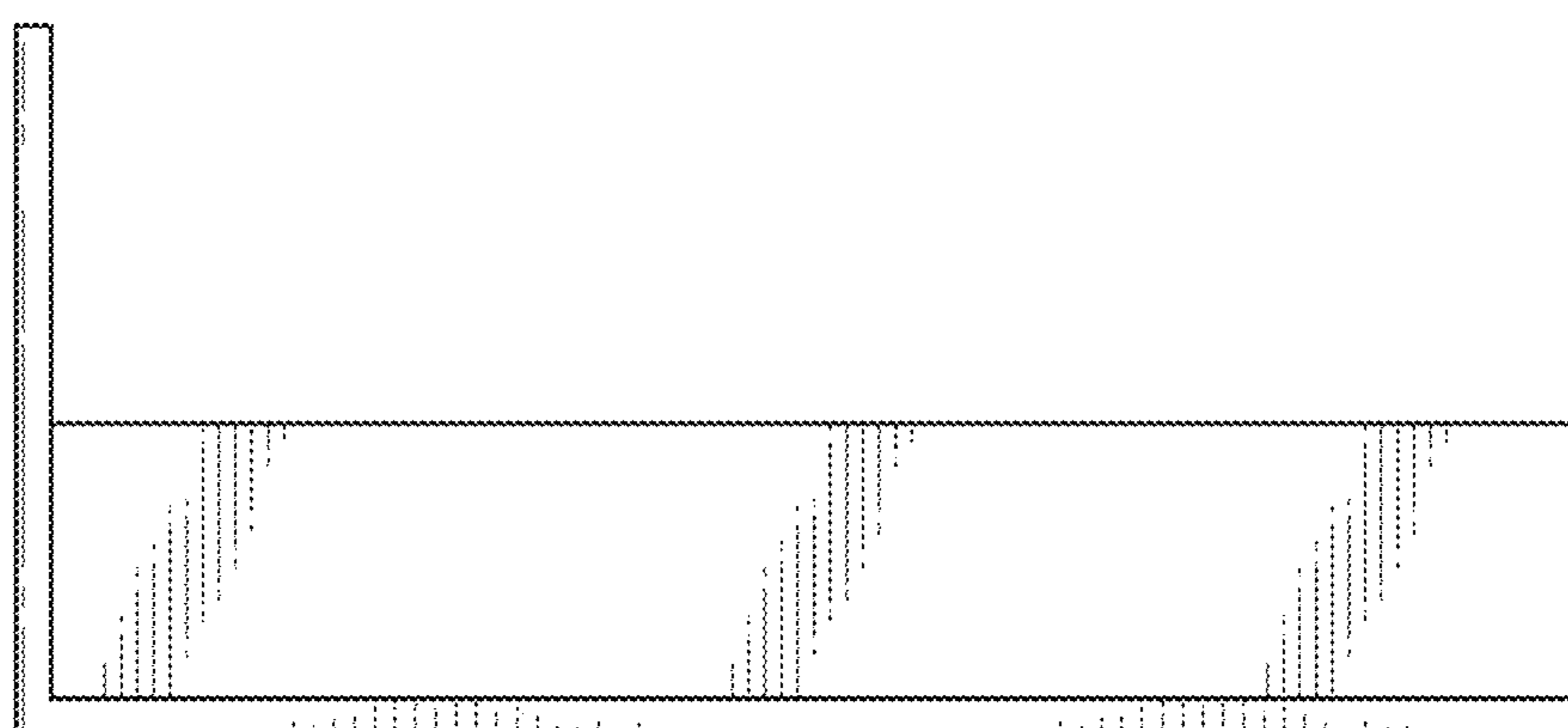


FIG. 5

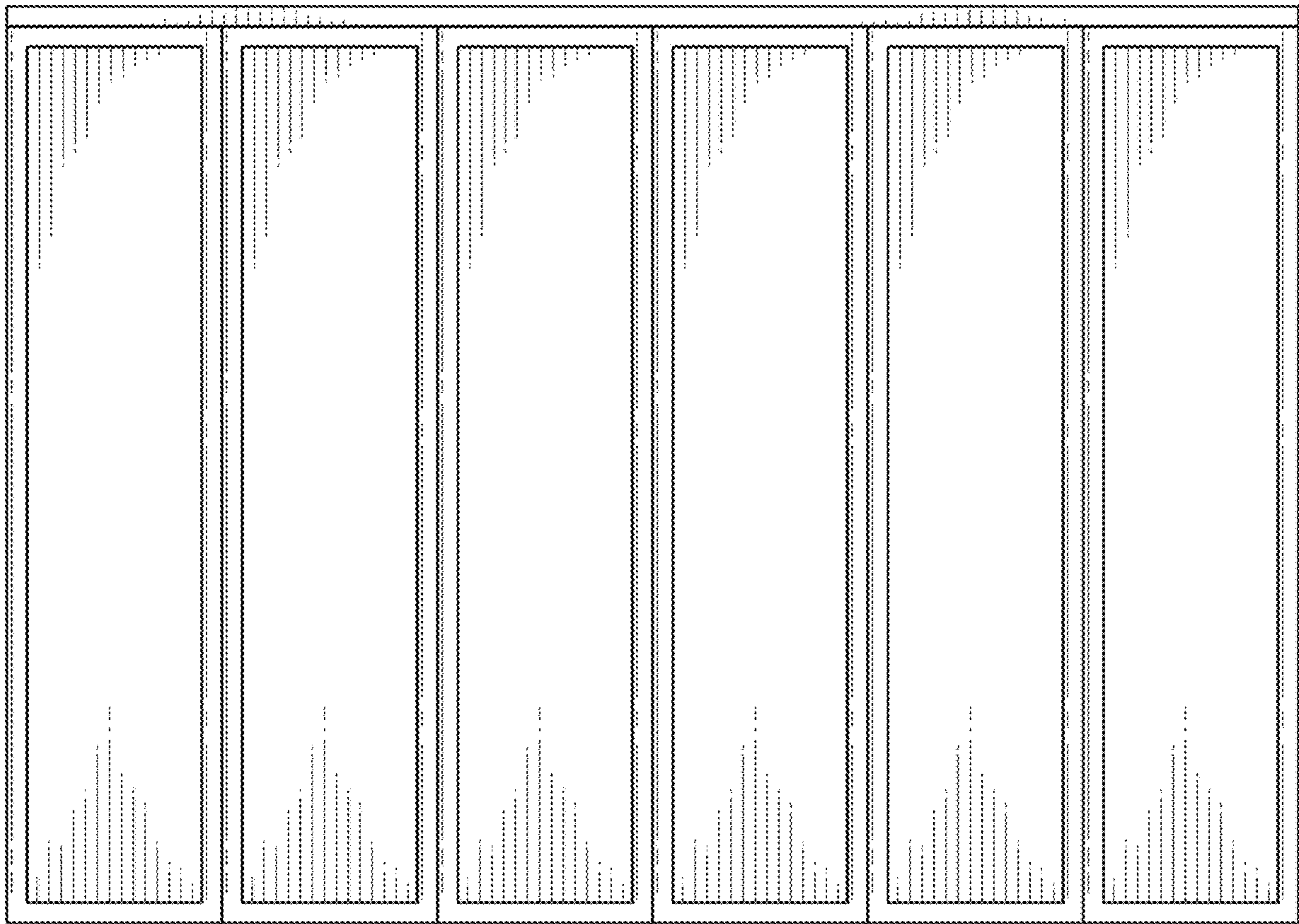


FIG. 6

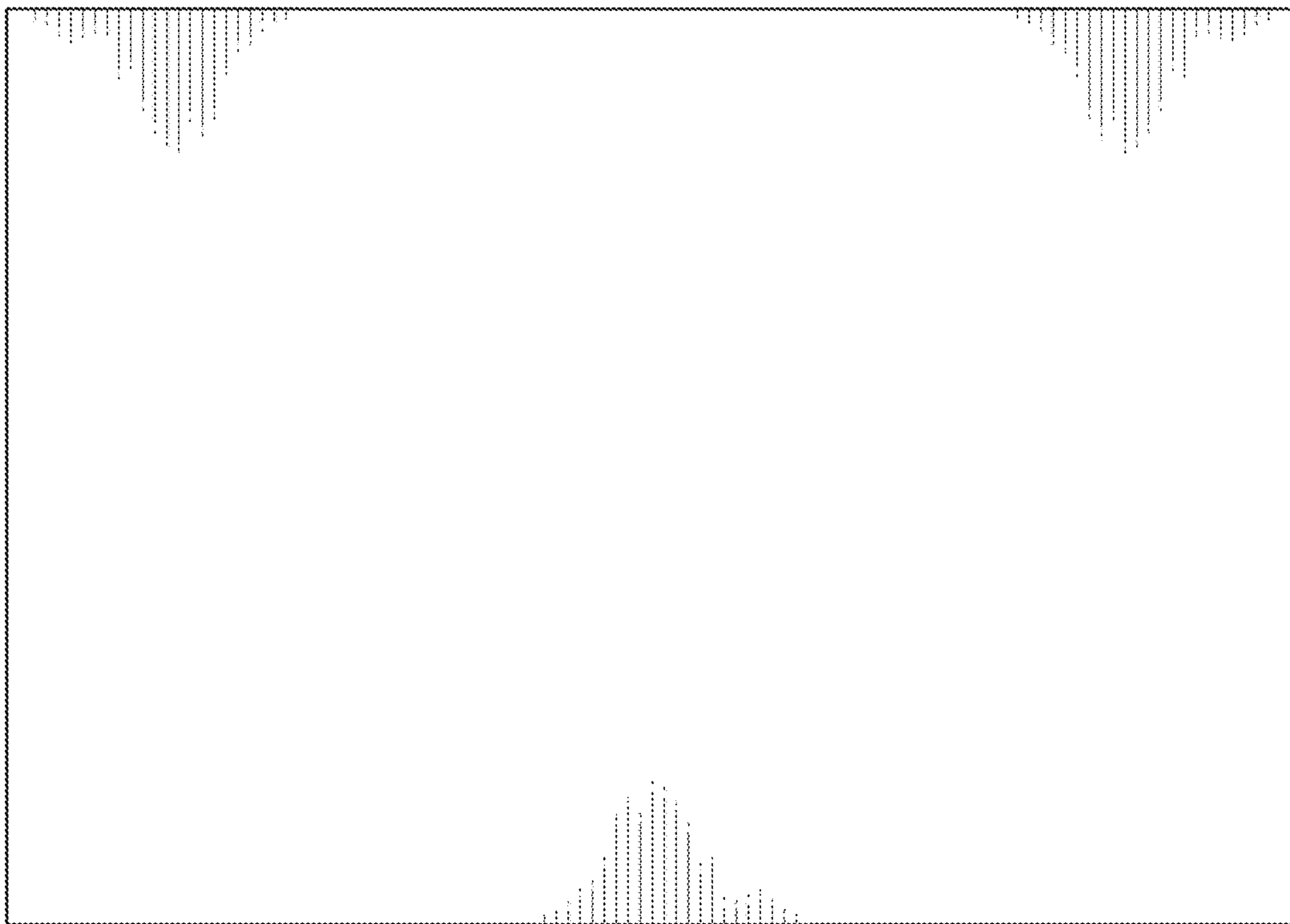


FIG. 7

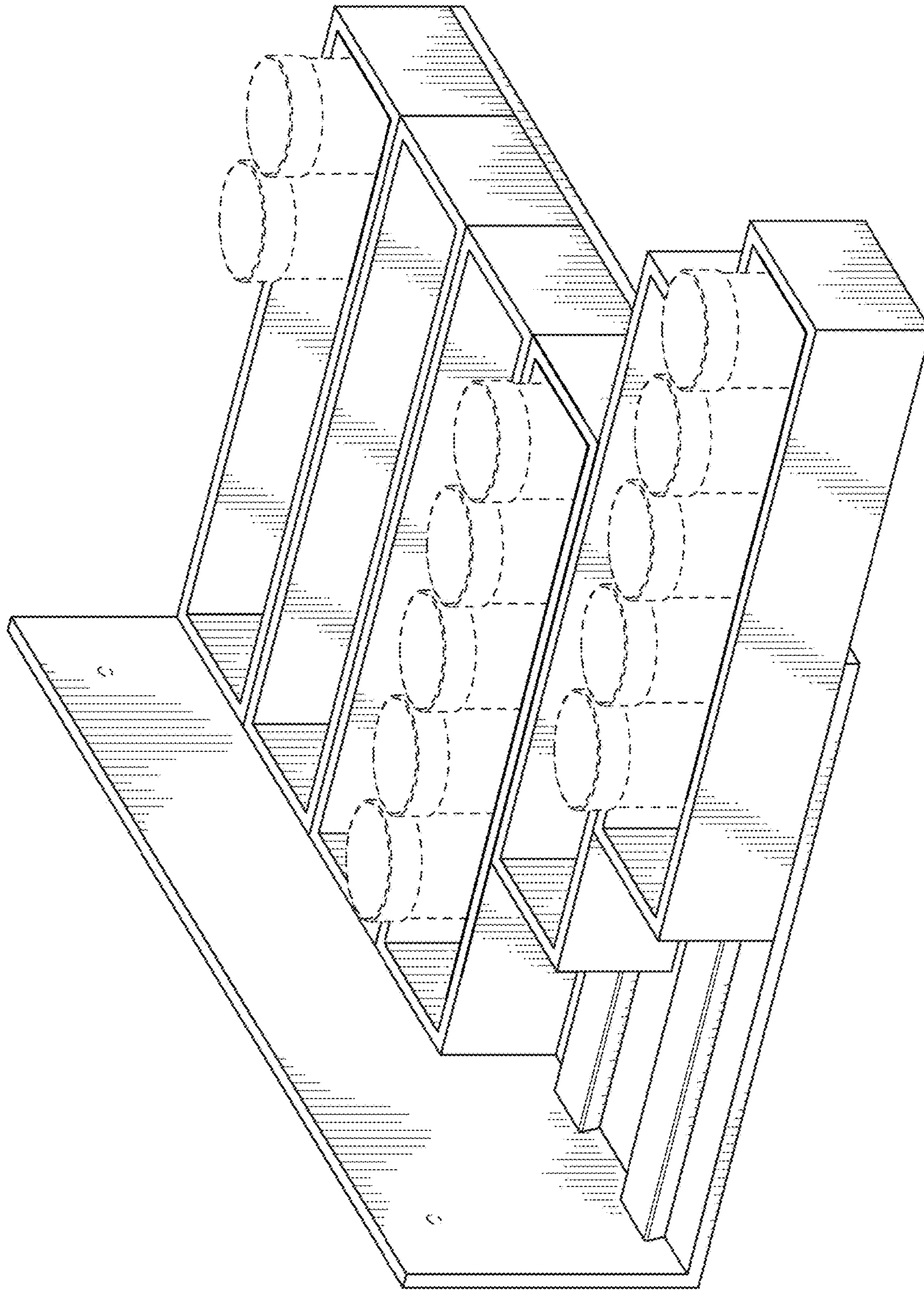


FIG. 8