



US00D953810S

(12) **United States Design Patent**
Bodum

(10) **Patent No.:** **US D953,810 S**
(45) **Date of Patent:** **** Jun. 7, 2022**

- (54) **DOUBLE WALL GLASS**
- (71) Applicant: **PI-Design AG**, Triengen (CH)
- (72) Inventor: **Jorgen Bodum**, Meggen (CH)
- (73) Assignee: **PI-Design AG**, Triengen (CH)
- (**) Term: **15 Years**
- (21) Appl. No.: **29/739,055**
- (22) Filed: **Jun. 22, 2020**

D582,724 S *	12/2008	Dretzka	D7/509
D613,624 S *	4/2010	Bodum	D10/46.2
D623,477 S *	9/2010	Ross	D7/523
D743,208 S *	11/2015	Thun	D7/509
D744,283 S *	12/2015	Thun	D7/509
D744,284 S *	12/2015	Thun	D7/509
D757,497 S *	5/2016	Bodum	D7/532
D779,884 S *	2/2017	Karussi	D7/523
D788,530 S *	6/2017	Kestenbaum	D7/532
D806,478 S *	1/2018	Struggl	D7/509
D862,986 S *	10/2019	Bodum	D7/523
D880,243 S *	4/2020	Bodum	D7/523
D884,428 S *	5/2020	Bodum	D7/523
D885,134 S *	5/2020	Bodum	D7/509

(Continued)

(30) **Foreign Application Priority Data**

Feb. 5, 2020 (WO) WIPO91737

(51) **LOC (13) Cl.** **07-01**

(52) **U.S. Cl.**
USPC **D7/509**

(58) **Field of Classification Search**
 USPC D7/300, 313, 316, 507, 509, 510, 511,
 D7/523, 531, 532, 533, 602, 605, 608,
 D7/614, 619.1, 622; D9/443, 449, 450,
 D9/500, 502, 505, 520, 528, 531, 537,
 D9/538, 540, 549, 560, 570; D10/46.2
 CPC A45F 2200/0583; A47G 19/2205; A47G
 19/2272; A47G 19/2288; A47G 19/23;
 A47G 23/16; A47J 41/00; A47J 43/00;
 A47J 47/00; A47J 47/02; A47J 47/08;
 B65D 1/265; B65D 81/3865; B65D
 81/3453; B65D 3/22

See application file for complete search history.

(56) **References Cited**

U.S. PATENT DOCUMENTS

D523,693 S *	6/2006	Bodum	D7/509
D553,437 S *	10/2007	Bodum	D7/509
D568,103 S *	5/2008	Bodum	D7/509
D577,260 S *	9/2008	Bodum	D7/509
D581,739 S *	12/2008	Bodum	D7/509

OTHER PUBLICATIONS

Teabloom Modern Insulated Glass Cups, Amazon.com, First available date: Sep. 15, 2021. Retrieved from the internet Mar. 23, 2022<URL:https://www.amazon.com/Teabloom-Modern-Insulated-Glass-Cups/dp/B09G941MK9/ (Year: 2021).*

Primary Examiner — Joseph Kukella
Assistant Examiner — Darryl J Dardenne
(74) *Attorney, Agent, or Firm* — McDonnell Boehnen Hulbert & Berghoff LLP

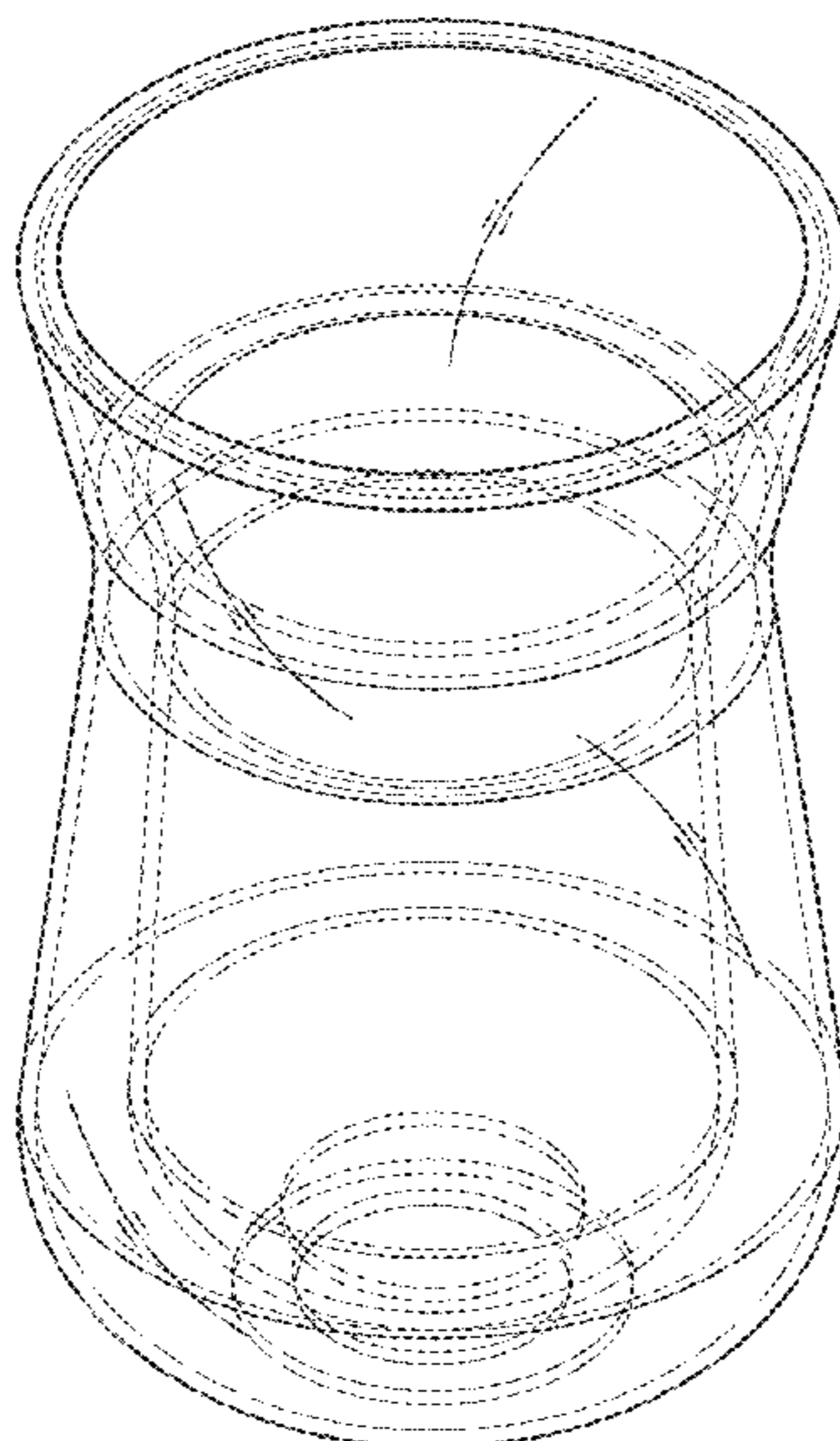
(57) **CLAIM**

The ornamental design for a double wall glass, as shown and described.

DESCRIPTION

FIG. 1 is a perspective view of a double wall glass showing my new design;
FIG. 2 is a front view thereof;
FIG. 3 is a rear view thereof;
FIG. 4 is a left side view thereof;
FIG. 5 is a right side view thereof;
FIG. 6 is a top view thereof; and,
FIG. 7 is a bottom view thereof.

1 Claim, 7 Drawing Sheets



(56)

References Cited

U.S. PATENT DOCUMENTS

D895,366 S * 9/2020 Perrulli D7/532
D927,927 S * 8/2021 Grassy D7/400
D928,559 S * 8/2021 Grassy D7/400

* cited by examiner

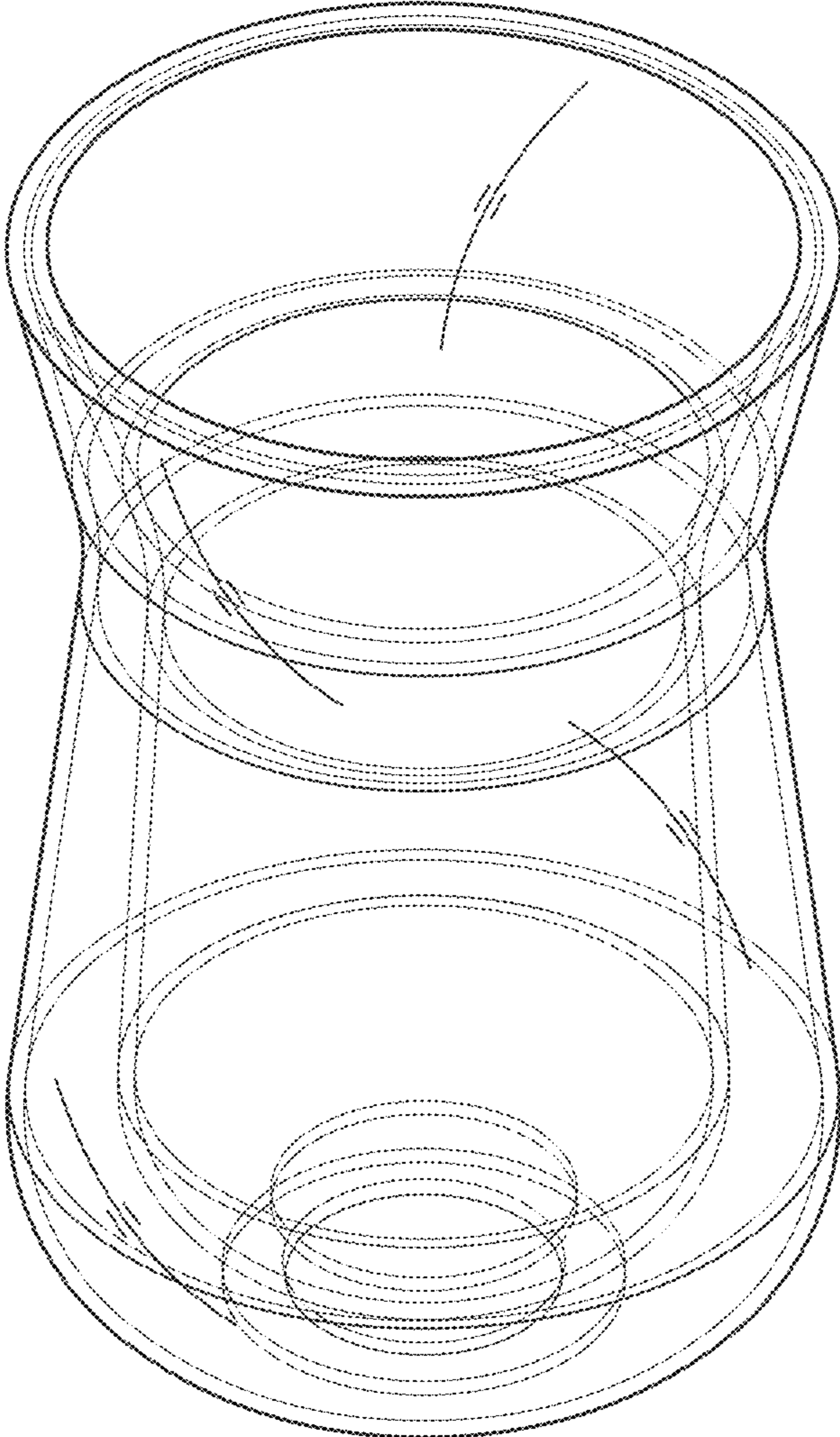


FIG. 1

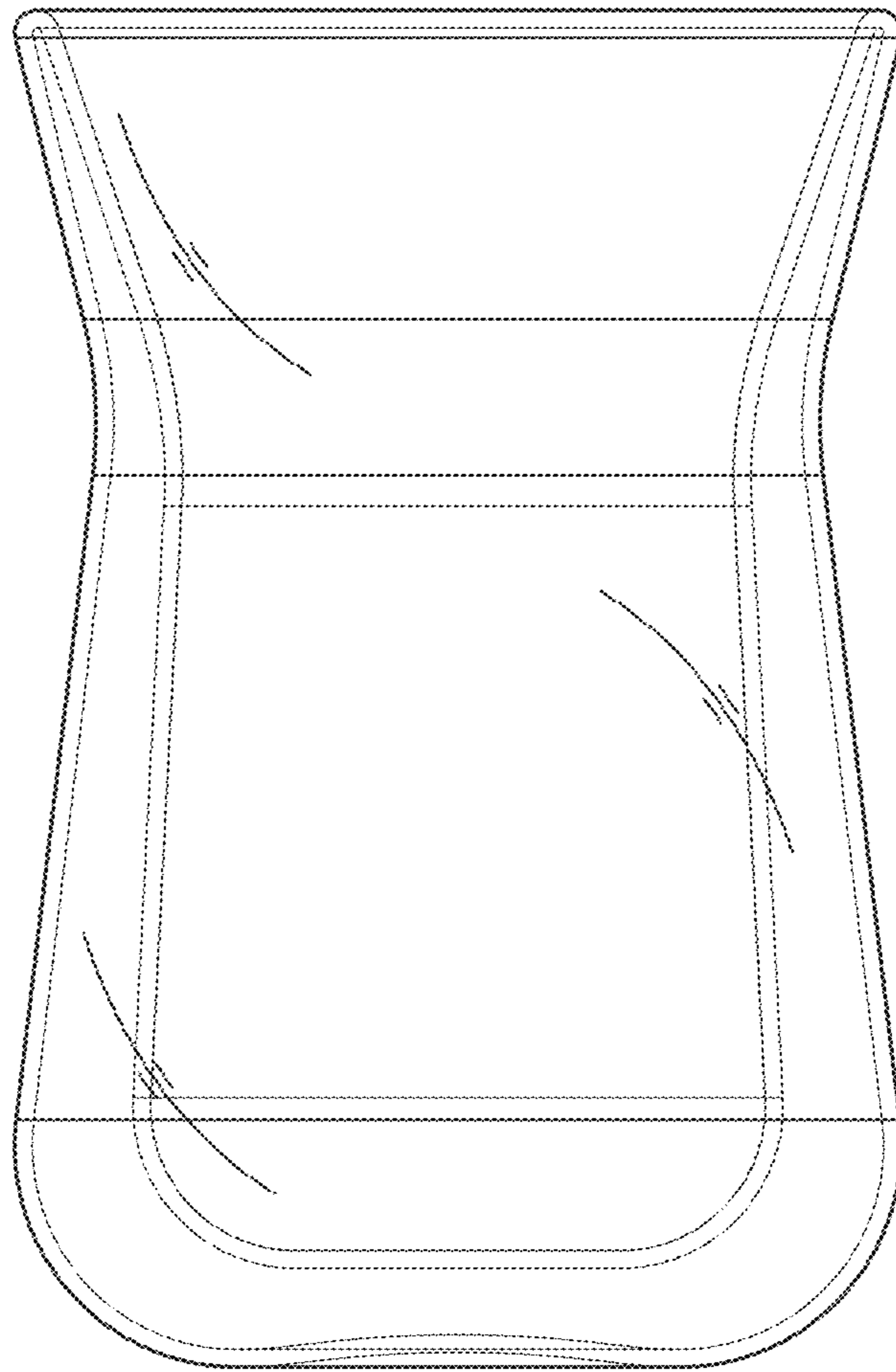


FIG. 2

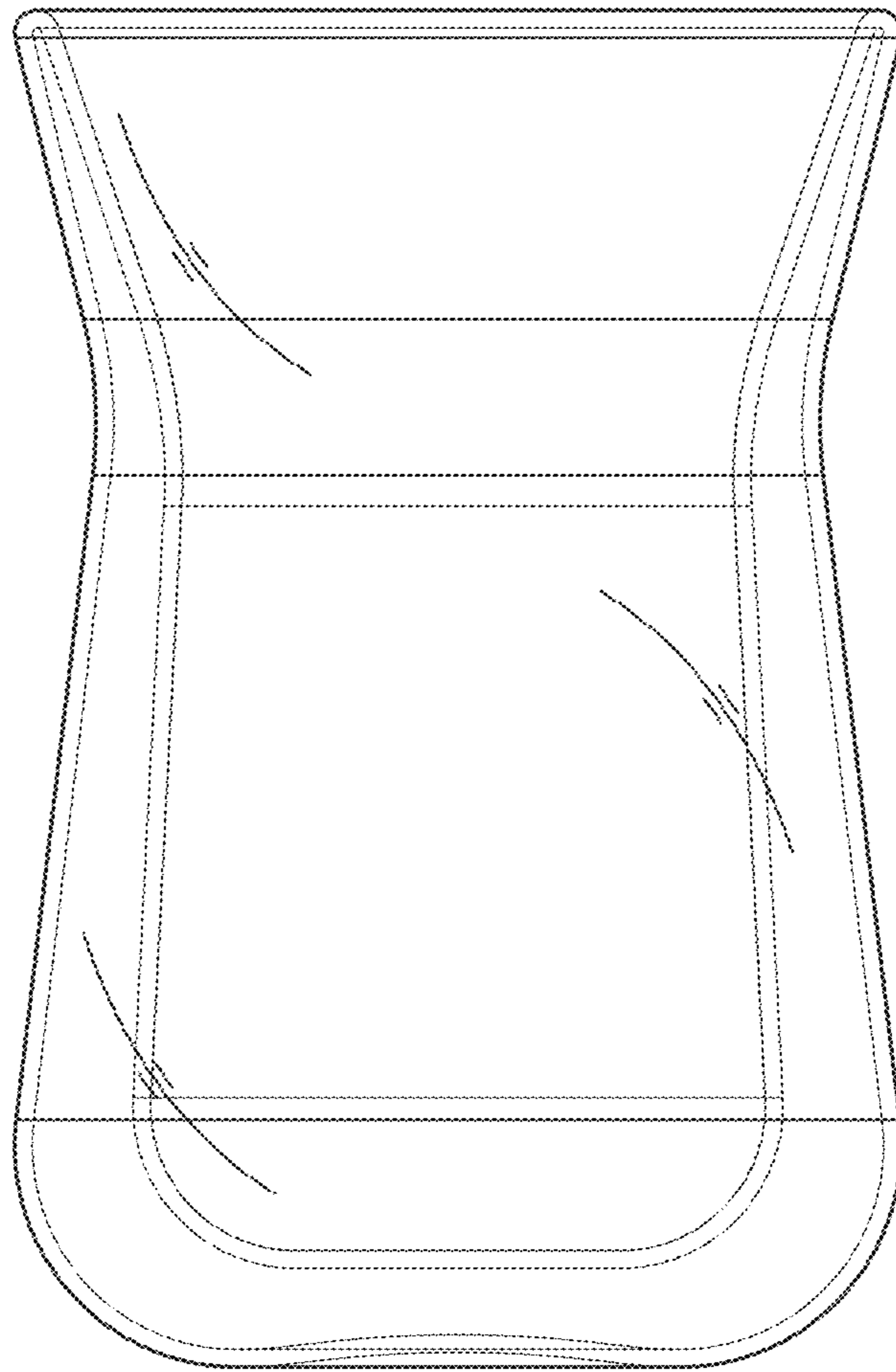


FIG. 3

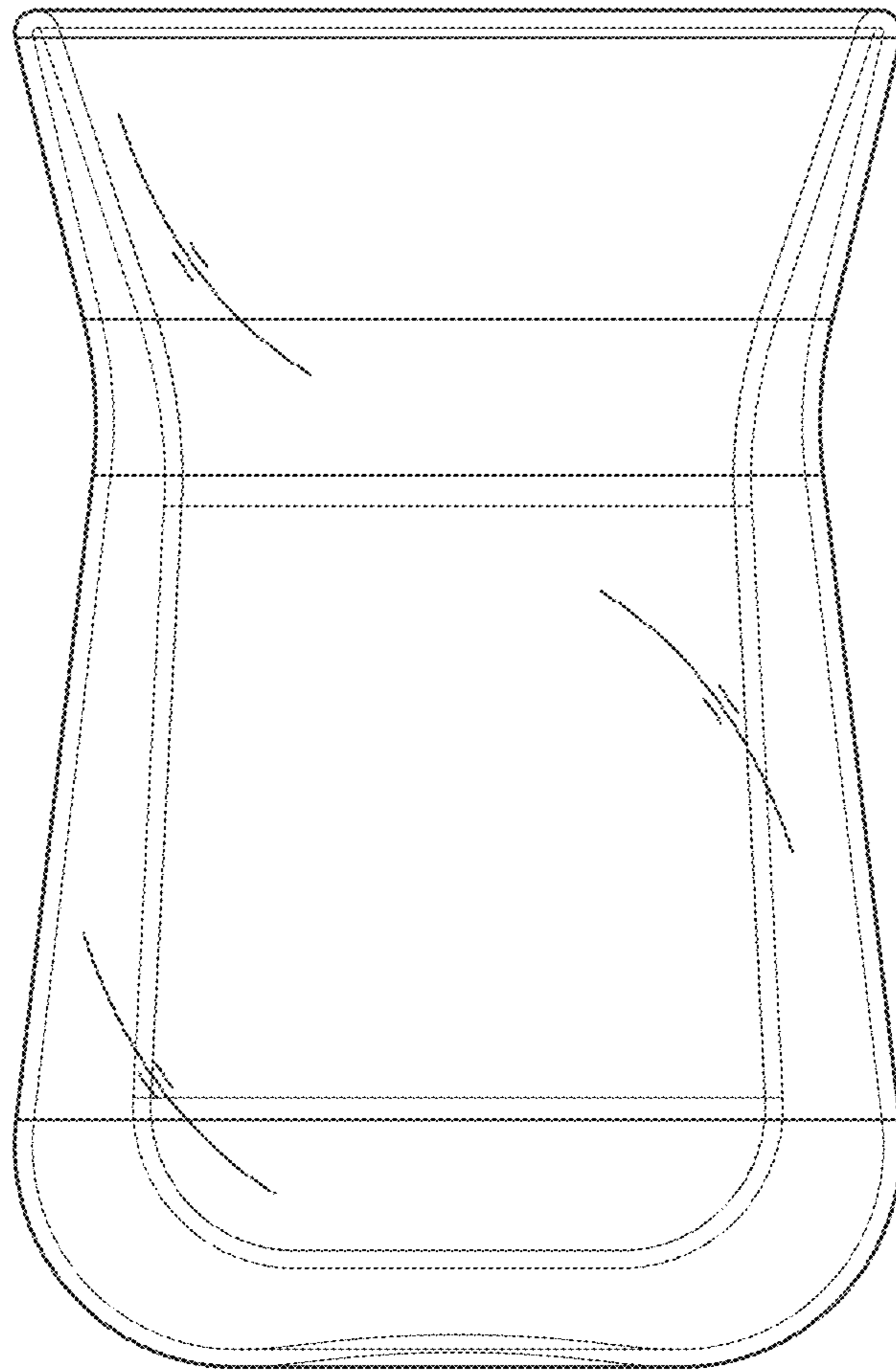


FIG. 4

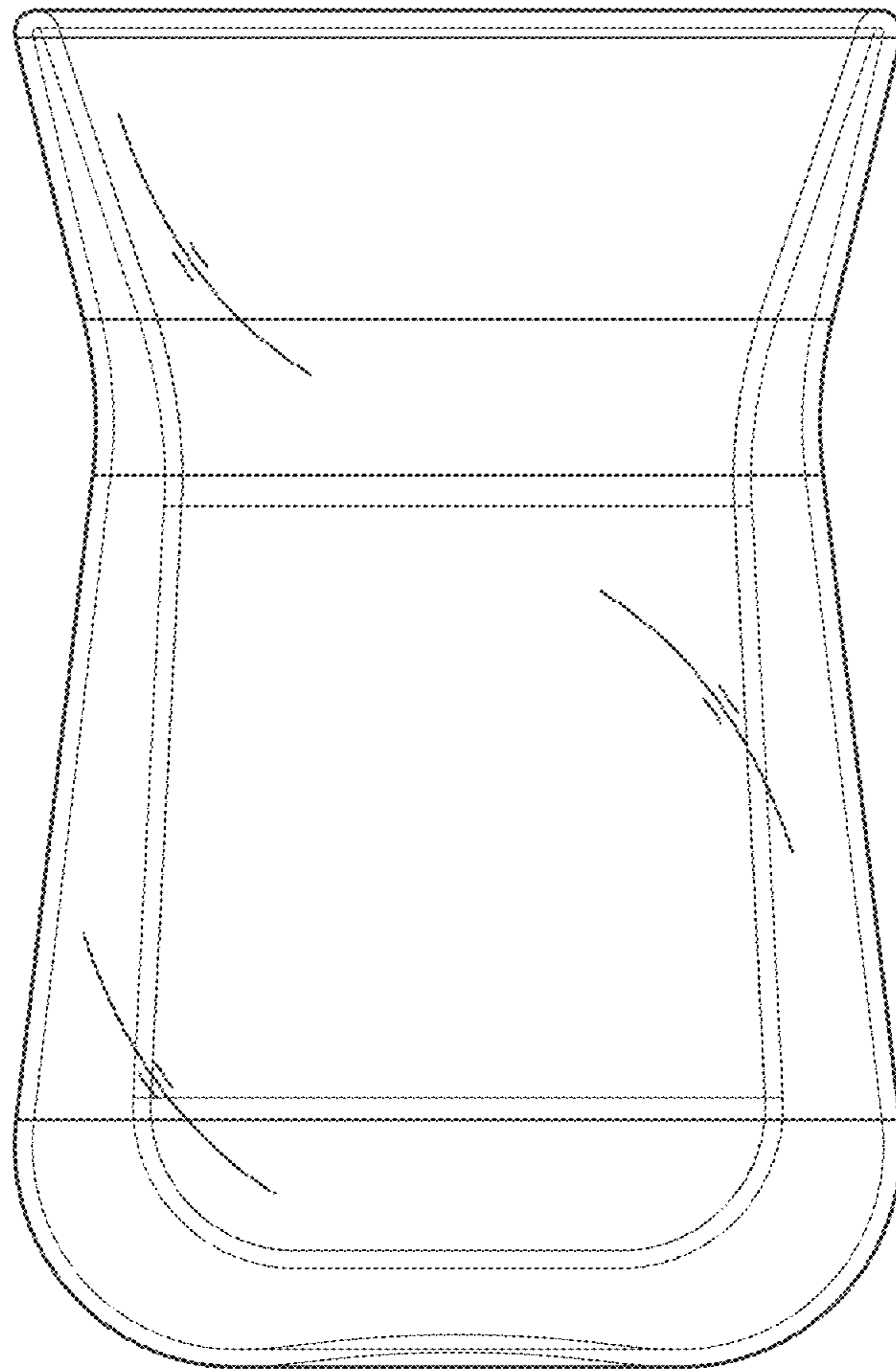


FIG. 5

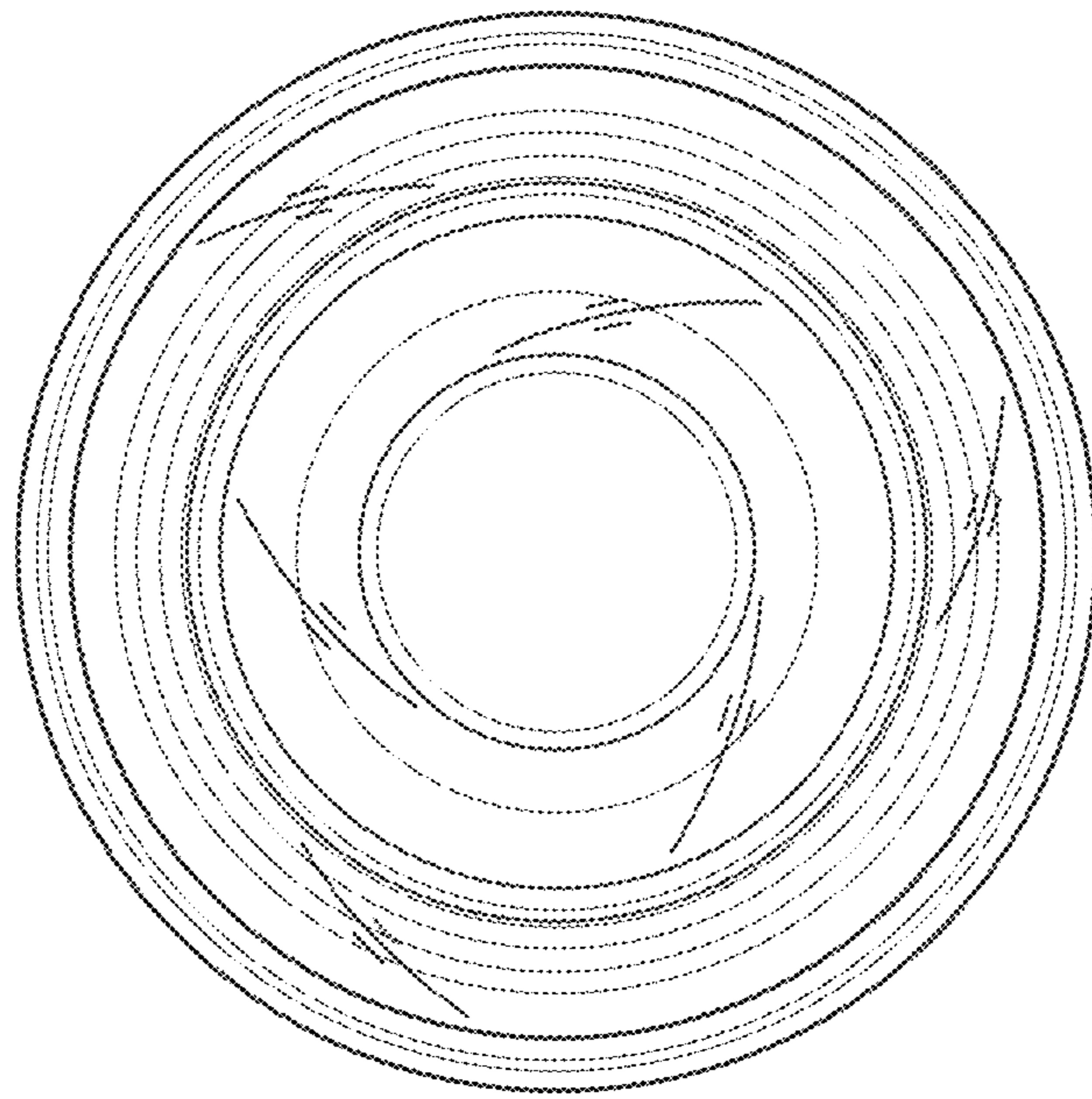


FIG. 6

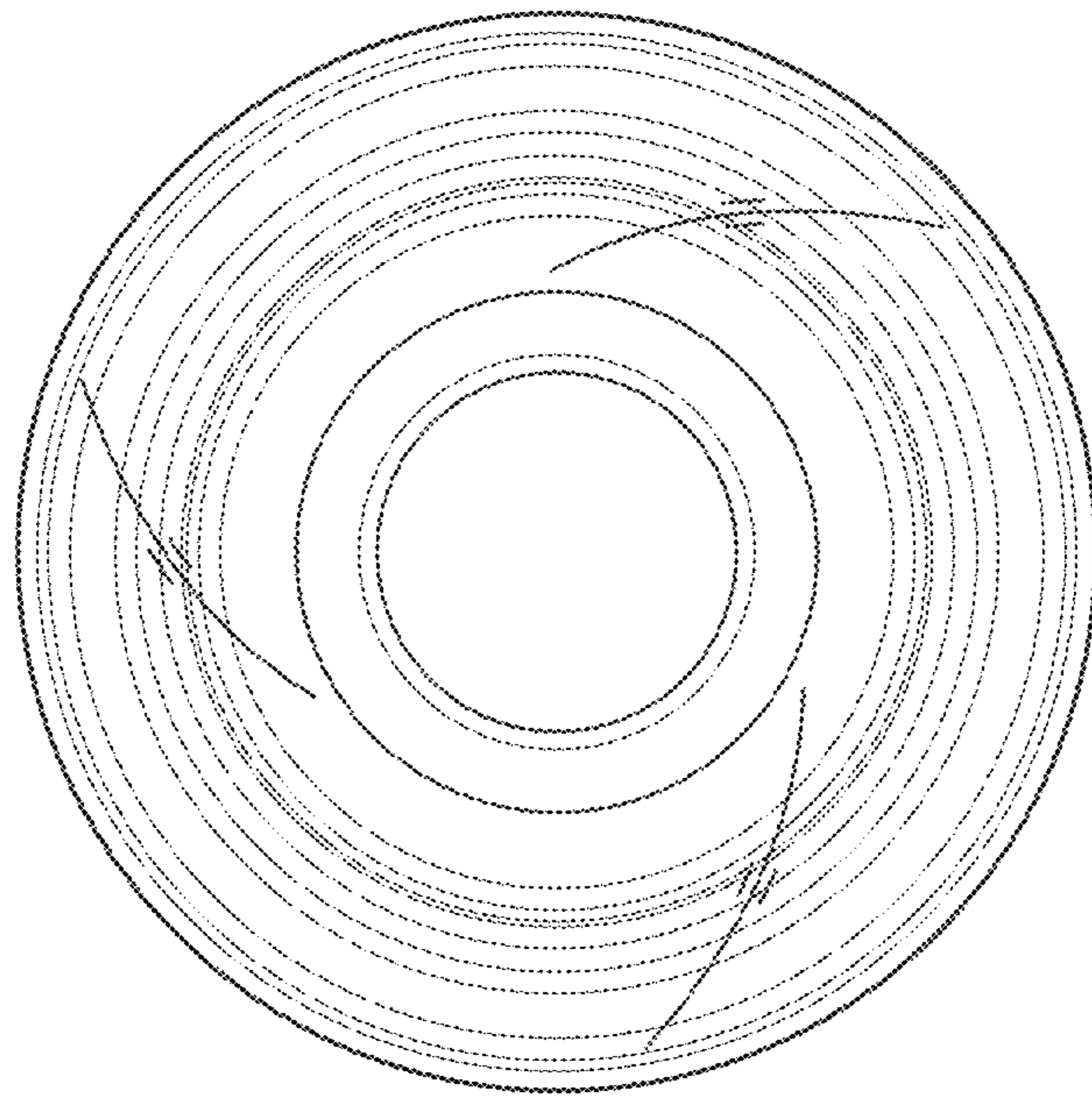


FIG. 7