



US00D953808S

(12) **United States Design Patent**  
**Hansen**

(10) **Patent No.:** **US D953,808 S**  
(45) **Date of Patent:** **\*\* Jun. 7, 2022**

- (54) **RESIDENTIAL STOVE WRAP**
- (71) Applicant: **William L. Hansen**, Rancho Santa Margarita, CA (US)
- (72) Inventor: **William L. Hansen**, Rancho Santa Margarita, CA (US)

4,517,955 A 5/1985 Ehrlich  
 4,547,642 A 10/1985 Smith  
 4,922,888 A 5/1990 Bryan et al.  
 5,036,831 A 8/1991 Ray  
 5,115,797 A 5/1992 Hurner  
 D345,891 S 4/1994 Blanco  
 D350,167 S 8/1994 Klawitter

(Continued)

(\*\*) Term: **15 Years**

**FOREIGN PATENT DOCUMENTS**

(21) Appl. No.: **29/787,695**

EM 002715417-0004 \* 7/2015  
 ES D0528117-01 \* 4/2018 ..... F23N 1/007

(22) Filed: **Jun. 8, 2021**

(Continued)

**Related U.S. Application Data**

(62) Division of application No. 29/523,132, filed on Apr. 7, 2015, now Pat. No. Des. 921,428.

(51) **LOC (13) Cl.** ..... **07-99**

(52) **U.S. Cl.**  
USPC ..... **D7/407**

(58) **Field of Classification Search**

USPC ..... D7/402-408, 339-340, 346-349,  
 D7/350.1-351, 323, 330-338  
 CPC .... H05B 6/763; H05B 6/6414; H05B 6/6408;  
 Y02B 40/14; Y02B 40/143; Y02B  
 40/146; F24C 15/02; F24C 1/00; F24C  
 14/00; F24C 3/00; F24C 5/00; F24C  
 7/00; A47J 37/07; A47J 37/06

See application file for complete search history.

(56) **References Cited**

**U.S. PATENT DOCUMENTS**

119,066 A 9/1871 Van  
 185,757 A 12/1876 King  
 1,536,016 A 4/1925 Kavanagh  
 D165,742 S 1/1952 Culver, Jr.  
 D207,265 S 3/1967 Blumenthal  
 3,509,605 A 5/1970 More  
 3,702,112 A 11/1972 Keppler  
 D250,872 S 1/1979 Meunier  
 D267,770 S 2/1983 Fischer

**OTHER PUBLICATIONS**

“Atwood Mobile Products Launches Stove Wrap,” Mar. 6, 2015, rvbusiness.com, site visited Dec. 16, 2020, URL: <https://rvbusiness.com/atwood-mobile-products-launches-stove-wrap/> (Year: 2015).\*

(Continued)

*Primary Examiner* — Eric L Goodman  
*Assistant Examiner* — Sarah L Smith  
 (74) *Attorney, Agent, or Firm* — Maschoff Brennan

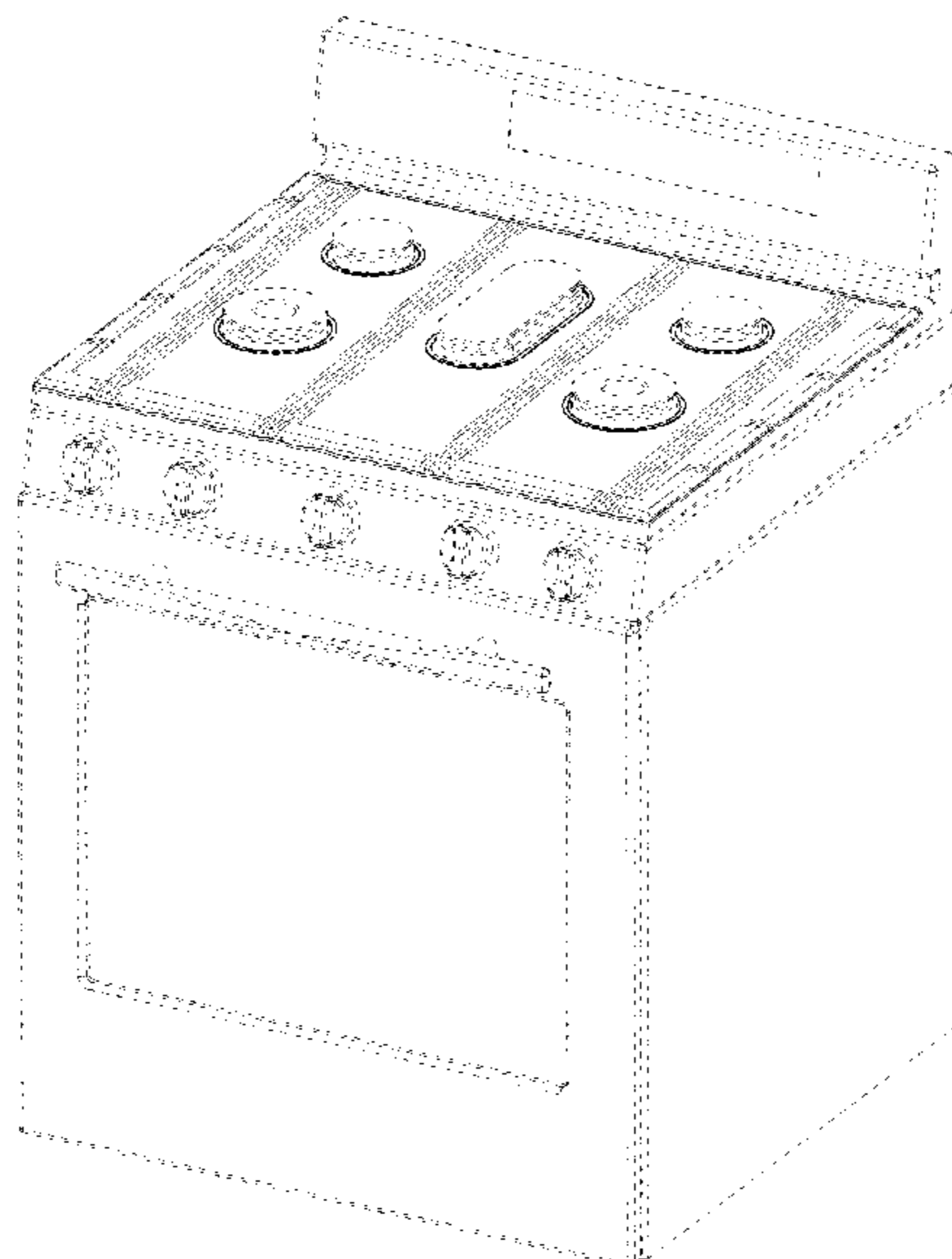
(57) **CLAIM**

The ornamental design for a residential stove wrap, as shown and described.

**DESCRIPTION**

FIG. 1 is an upper perspective view of a residential stove wrap, illustrating the residential stove wrap in an example operating environment;  
 FIG. 2 is a top view or a bottom view thereof;  
 FIG. 3 is a side view thereof; and,  
 FIG. 4 is a front view or a rear view thereof.  
 The broken lines showing a stove form no part of the claimed design.

**1 Claim, 3 Drawing Sheets**



(56)

References Cited

U.S. PATENT DOCUMENTS

5,353,781 A 10/1994 Calvillo  
 5,653,221 A 8/1997 Luken  
 D386,945 S \* 12/1997 Mendoza ..... F23D 14/06  
 D7/402  
 D396,989 S 8/1998 Deo  
 6,119,678 A 9/2000 Marchand  
 6,198,080 B1 3/2001 Rice  
 D441,604 S \* 5/2001 Valdez ..... D7/406  
 D450,527 S 11/2001 Busalt  
 D451,332 S 12/2001 Busalt  
 D462,872 S 9/2002 Chiang  
 D464,229 S 10/2002 Baldwin  
 D482,931 S 12/2003 Staebler  
 6,686,576 B1 2/2004 Yang  
 D511,936 S 11/2005 Becker  
 D513,684 S 1/2006 Jackovin  
 D513,922 S 1/2006 Grutzke  
 D536,207 S 2/2007 Ostlund  
 D536,208 S 2/2007 Ostlund  
 D557,069 S 12/2007 Shin  
 D568,673 S 5/2008 Tanaka  
 D578,823 S 10/2008 Kim  
 D610,863 S \* 3/2010 Kim ..... D7/340  
 D653,900 S \* 2/2012 Kim ..... D7/340  
 D655,128 S \* 3/2012 Kim ..... D7/340  
 D685,602 S \* 7/2013 Lee ..... D7/340  
 D697,358 S \* 1/2014 Kim ..... D7/340  
 D700,469 S \* 3/2014 Reay ..... D7/340  
 D701,413 S 3/2014 Hill  
 D707,073 S 6/2014 Hill  
 8,978,637 B2 \* 3/2015 Ryu ..... F23D 14/06  
 126/39 K  
 D745,805 S \* 12/2015 Hansen ..... F23D 14/06  
 D7/407  
 D781,096 S \* 3/2017 Kim ..... D7/340  
 D785,398 S \* 5/2017 Kim ..... D7/340

D786,005 S \* 5/2017 Kim ..... D7/340  
 D786,608 S \* 5/2017 Cho ..... D7/340  
 D786,609 S \* 5/2017 Cho ..... D7/340  
 D814,230 S \* 4/2018 Choi ..... D7/346  
 D840,738 S \* 2/2019 Chung ..... D7/340  
 D889,185 S \* 7/2020 Kim ..... D7/340  
 D896,018 S \* 9/2020 Harrell ..... D7/346  
 D920,027 S \* 5/2021 Harrell ..... D7/346  
 D921,428 S 6/2021 Hansen  
 D928,546 S \* 8/2021 Han ..... D7/340  
 D929,788 S \* 9/2021 Kim ..... D7/340  
 D929,790 S \* 9/2021 Kwon ..... D7/340  
 2008/0125911 A1 5/2008 Ebrom  
 2008/0143550 A1 6/2008 Ebrom  
 2010/0044363 A1 2/2010 Butcher  
 2010/0104992 A1 \* 4/2010 Padgett ..... F23D 14/06  
 431/202  
 2010/0139638 A1 6/2010 Hargrave  
 2011/0192391 A1 8/2011 Bevilacqua  
 2013/0032133 A1 2/2013 Tisselli  
 2014/0014084 A1 1/2014 Rudolph  
 2016/0327283 A1 11/2016 Lee

FOREIGN PATENT DOCUMENTS

JP 1271881 S 4/1985  
 JP D1063493 \* 3/2000  
 JP D1271881 \* 5/2006  
 JP D1453286 \* 10/2012  
 KR 300536531.0000 \* 8/2009  
 KR 3005365310000 8/2009  
 WO WO-2011144491 A2 \* 11/2011 ..... F23N 1/007

OTHER PUBLICATIONS

U.S. Appl. No. 29/787,693, filed Jun. 8, 2021.  
 U.S. Appl. No. 29/787,696, filed Jun. 8, 2021.

\* cited by examiner

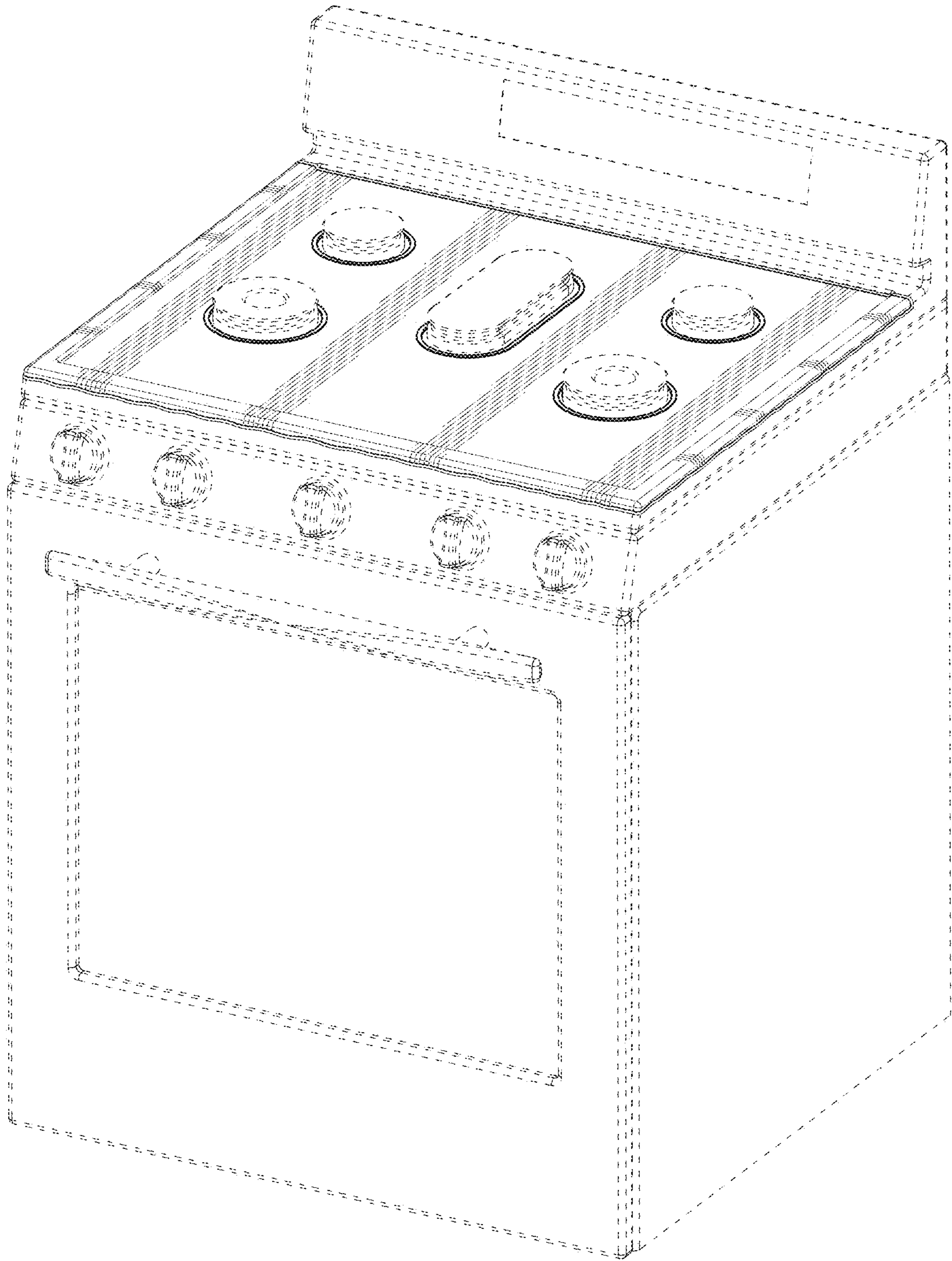


Fig. 1

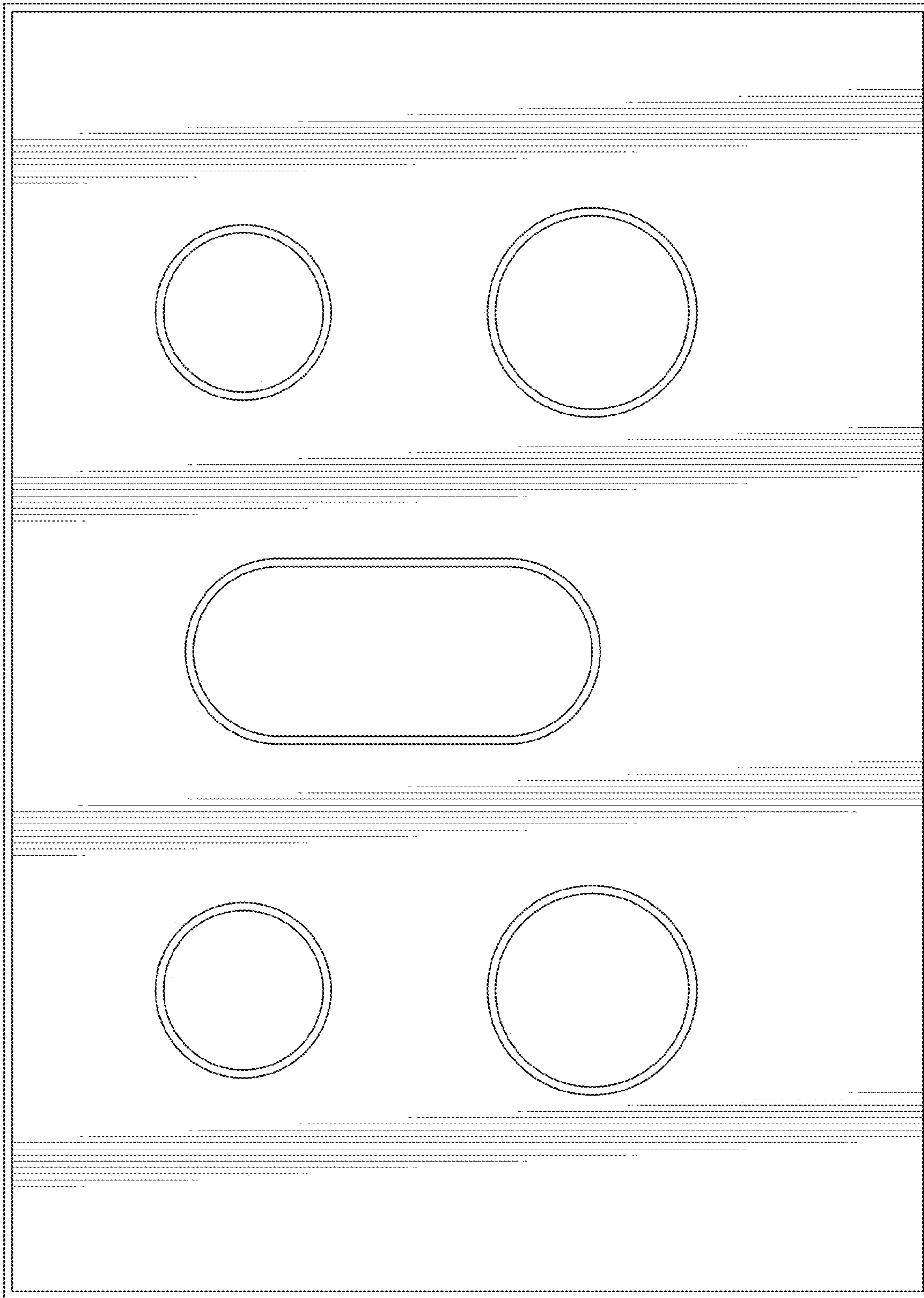


Fig. 2



**Fig. 3**



**Fig. 4**