



US00D953807S

(12) **United States Design Patent**  
**Hansen**

(10) **Patent No.:** **US D953,807 S**  
(45) **Date of Patent:** **\*\* Jun. 7, 2022**

- (54) **RESIDENTIAL STOVE WRAP**
- (71) Applicant: **William L. Hansen**, Laguna Niguel, CA (US)
- (72) Inventor: **William L. Hansen**, Laguna Niguel, CA (US)

4,517,955 A 5/1985 Ehrlich  
 4,547,642 A 10/1985 Smith  
 4,922,888 A 5/1990 Bryan et al.  
 5,036,831 A 8/1991 Ray  
 5,115,797 A 5/1992 Hurner  
 D345,891 S 4/1994 Blanco  
 D350,167 S 8/1994 Klawitter  
 (Continued)

- (\*\*) Term: **15 Years**
- (21) Appl. No.: **29/787,693**
- (22) Filed: **Jun. 8, 2021**

**FOREIGN PATENT DOCUMENTS**

EM 002715417-0004 \* 7/2015  
 ES D0528117-01 \* 4/2018  
 (Continued)

**Related U.S. Application Data**

- (62) Division of application No. 29/523,132, filed on Apr. 7, 2015, now Pat. No. Des. 921,428.
- (51) **LOC (13) Cl.** ..... **07-99**
- (52) **U.S. Cl.**  
USPC ..... **D7/407**
- (58) **Field of Classification Search**  
USPC ..... D7/402-408, 339-340, 346-349,  
D7/350.1-351, 323, 330-338  
CPC .... H05B 6/763; H05B 6/6414; H05B 6/6408;  
Y02B 40/14; Y02B 40/143; Y02B  
40/146; F24C 15/02; F24C 1/00; F24C  
14/00; F24C 3/00; F24C 5/00; F24C  
7/00; A47J 37/07; A47J 37/06  
See application file for complete search history.

**OTHER PUBLICATIONS**

“Atwood Mobile Products Launches Stove Wrap,” Mar. 6, 2015, rvbusiness.com, site visited Dec. 16, 2020, URL: <https://rvbusiness.com/atwood-mobile-products-launches-stove-wrap/> (Year: 2015).\*  
 (Continued)

*Primary Examiner* — Eric L Goodman  
*Assistant Examiner* — Sarah L Smith  
 (74) *Attorney, Agent, or Firm* — Maschoff Brennan

(57) **CLAIM**

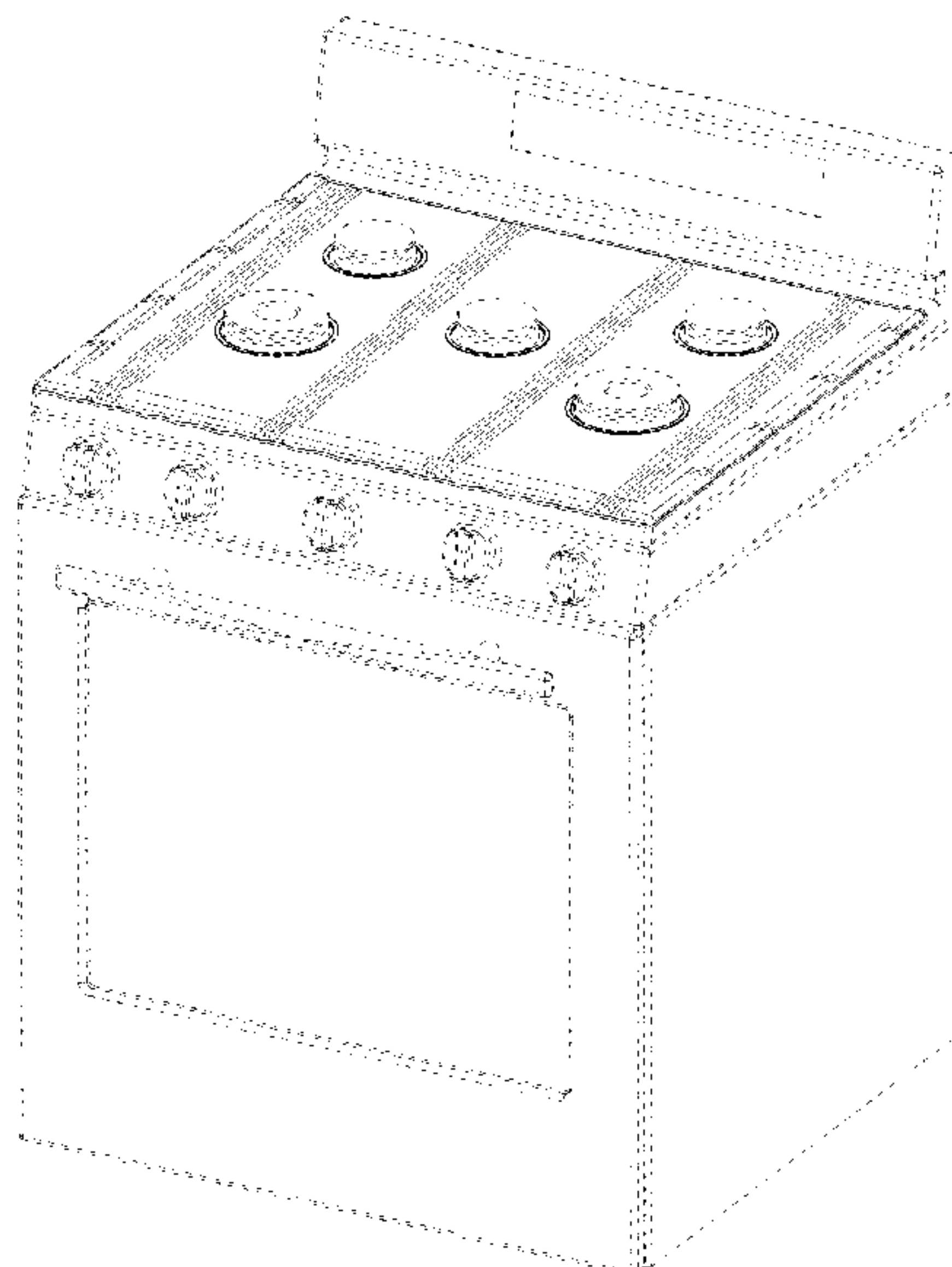
The ornamental design for a residential stove wrap, as shown and described.

**DESCRIPTION**

FIG. 1 is an upper perspective view of a residential stove wrap, illustrating the residential stove wrap in an example operating environment;  
 FIG. 2 is a top view or a bottom view thereof;  
 FIG. 3 is a side view thereof; and,  
 FIG. 4 is a front view or a rear view thereof.  
 The broken lines showing a stove form no part of the claimed design.

**1 Claim, 3 Drawing Sheets**

- (56) **References Cited**  
U.S. PATENT DOCUMENTS
- |             |         |             |
|-------------|---------|-------------|
| 119,066 A   | 9/1871  | Van         |
| 185,757 A   | 12/1876 | King        |
| 1,536,016 A | 4/1925  | Kavanagh    |
| D165,742 S  | 1/1952  | Culver, Jr. |
| D207,265 S  | 3/1967  | Blumenthal  |
| 3,509,605 A | 5/1970  | More        |
| 3,702,112 A | 11/1972 | Keppler     |
| D250,872 S  | 1/1979  | Meunier     |
| D267,770 S  | 2/1983  | Fischer     |



(56)

References Cited

U.S. PATENT DOCUMENTS

5,353,781 A 10/1994 Calvillo  
 5,653,221 A 8/1997 Luken  
 D386,945 S 12/1997 Mendoza  
 D396,989 S 8/1998 Deo  
 6,119,678 A 9/2000 Marchand  
 6,198,080 B1 3/2001 Rice  
 6,257,228 B1\* 7/2001 Braccini ..... F24C 3/085  
 126/211  
 D450,527 S 11/2001 Busalt  
 D451,332 S 12/2001 Busalt  
 D462,872 S 9/2002 Chiang  
 D464,229 S 10/2002 Baldwin  
 D482,931 S 12/2003 Staebler  
 6,686,576 B1 2/2004 Yang  
 6,712,065 B2\* 3/2004 Rummel ..... F24C 3/085  
 126/211  
 6,712,066 B1\* 3/2004 Atkinson ..... F24C 7/082  
 126/211  
 D511,936 S 11/2005 Becker  
 D513,684 S 1/2006 Jackovin  
 D513,922 S 1/2006 Grutzke  
 D536,207 S 2/2007 Ostlund  
 D536,208 S 2/2007 Ostlund  
 D551,501 S\* 9/2007 Baldwin ..... D7/408  
 D557,069 S 12/2007 Shin  
 D568,673 S 5/2008 Tanaka  
 D578,823 S\* 10/2008 Kim ..... D7/340  
 D585,241 S\* 1/2009 Geiger ..... D7/408  
 D610,863 S 3/2010 Kim  
 D685,602 S 7/2013 Lee  
 D701,413 S 3/2014 Hill  
 D707,073 S 6/2014 Hill  
 D731,845 S\* 6/2015 Kim ..... D7/340  
 D736,553 S\* 8/2015 Funnell, II ..... D7/339  
 D745,805 S 12/2015 Hansen  
 D763,616 S\* 8/2016 Kim ..... D7/340  
 D765,459 S\* 9/2016 Shoemaker ..... D7/346  
 D782,863 S\* 4/2017 Kamper ..... D7/346

D816,386 S\* 5/2018 Kim ..... D7/340  
 D849,478 S\* 5/2019 Pionek ..... F24C 3/124  
 D7/406  
 D859,054 S\* 9/2019 Kim ..... F24C 3/085  
 D7/340  
 10,605,462 B2\* 3/2020 Todd ..... F24C 3/124  
 D896,018 S\* 9/2020 Harrell ..... F24C 15/325  
 D7/346  
 D919,363 S\* 5/2021 Pionek ..... F24C 7/082  
 D7/406  
 D920,027 S\* 5/2021 Harrell ..... F24C 3/085  
 D7/346  
 D921,428 S 6/2021 Hansen  
 2004/0200825 A1\* 10/2004 Ahuja ..... F24C 15/325  
 219/446.1  
 2008/0125911 A1 5/2008 Ebrom  
 2008/0143550 A1 6/2008 Ebrom  
 2010/0044363 A1 2/2010 Butcher  
 2010/0139638 A1 6/2010 Hargrave  
 2011/0192391 A1 8/2011 Bevilacqua  
 2013/0032133 A1 2/2013 Tisselli  
 2014/0014084 A1 1/2014 Rudolph  
 2016/0327283 A1 11/2016 Lee  
 2017/0227231 A1\* 8/2017 Pionek ..... F24C 3/124  
 2017/0254543 A1 9/2017 Peterson

FOREIGN PATENT DOCUMENTS

JP D1063493 \* 3/2000  
 JP D1271881 \* 5/2006  
 JP D1453286 \* 10/2012  
 KR 300536531.0000 \* 8/2009  
 KR 3005365310000 8/2009

OTHER PUBLICATIONS

U.S. Appl. No. 29/787,695, filed Jun. 8, 2021.  
 U.S. Appl. No. 29/787,696, filed Jun. 8, 2021.

\* cited by examiner

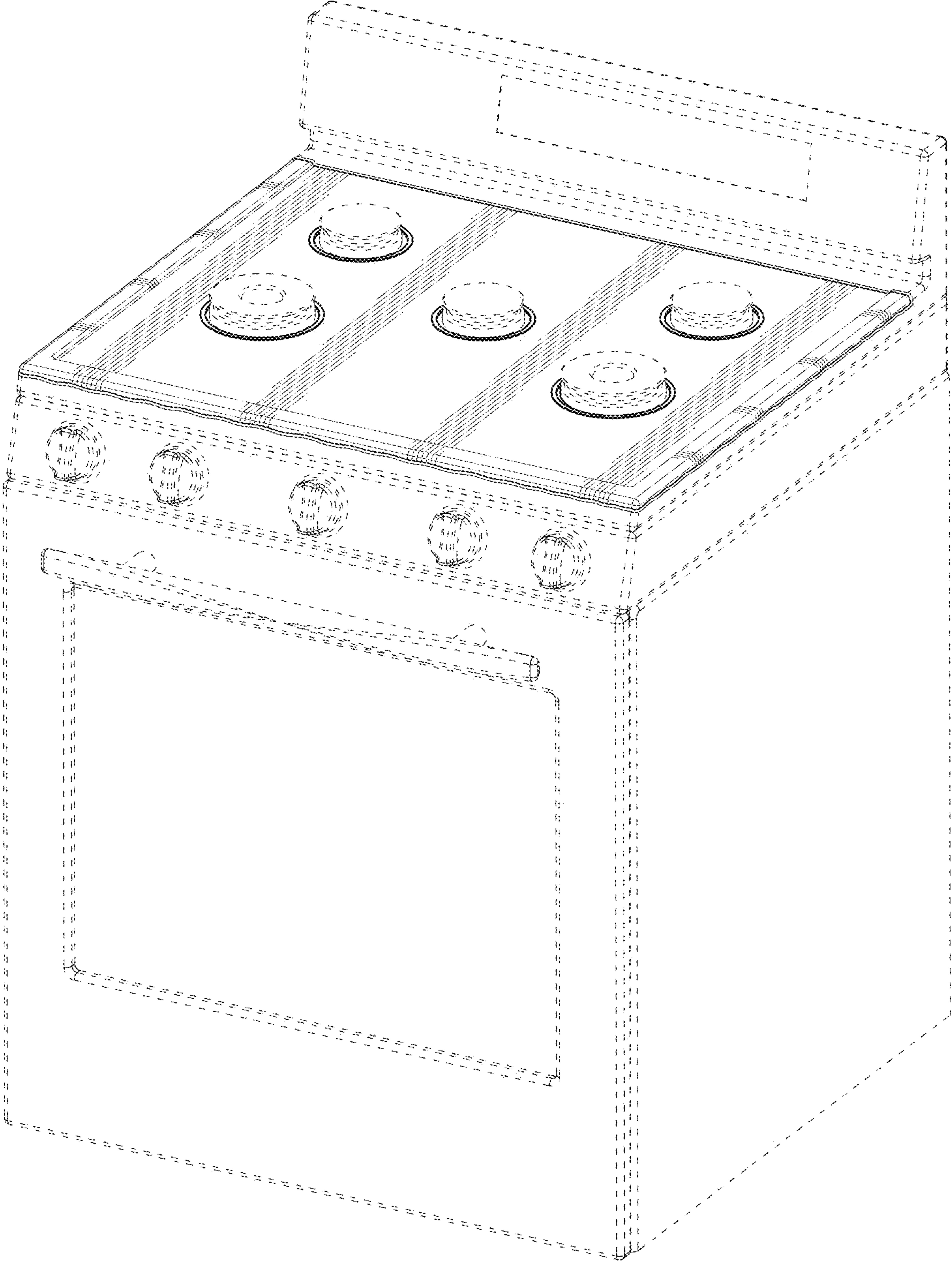


Fig. 1



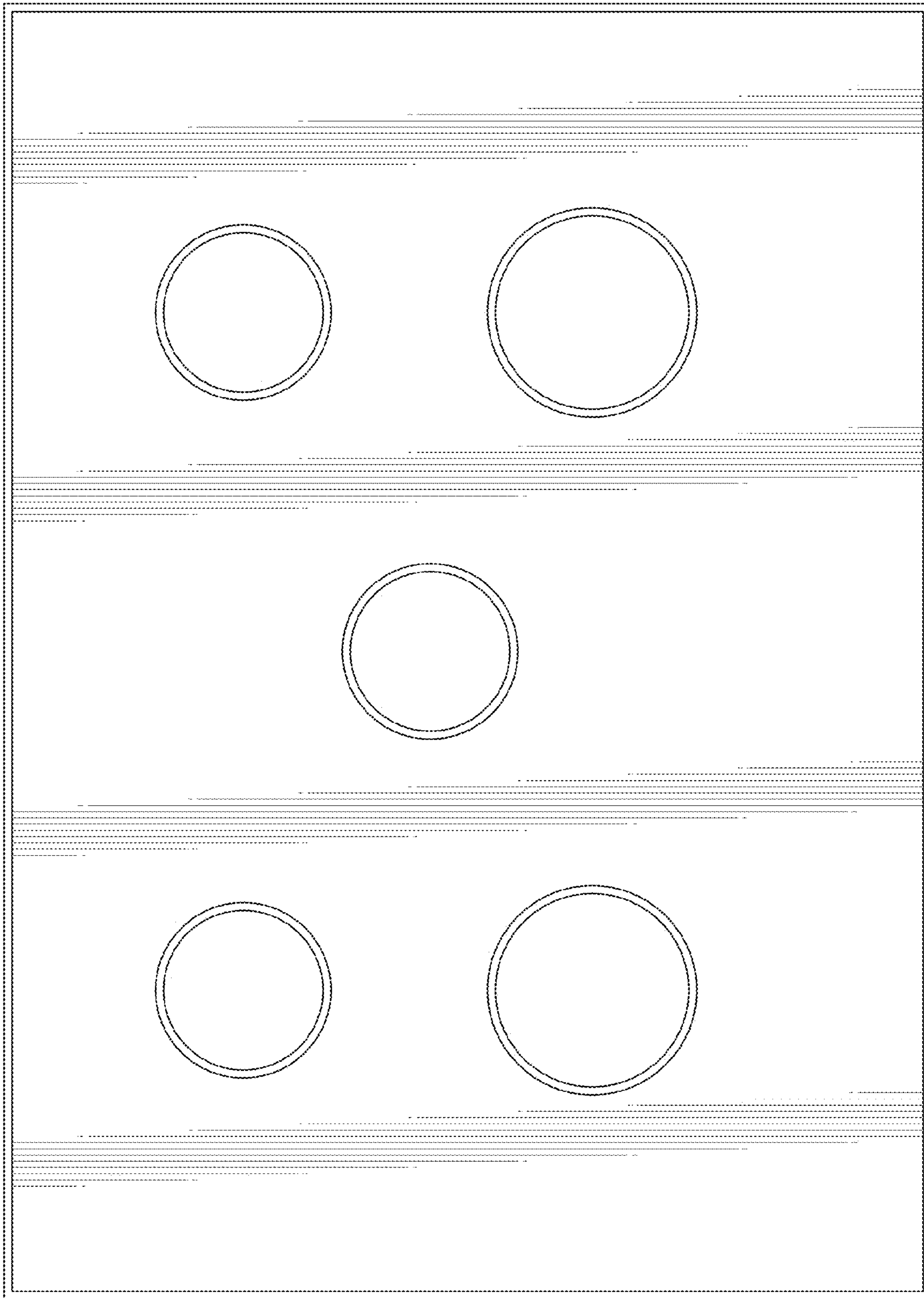


Fig. 2



Fig. 3



Fig. 4