



US00D953806S

(12) **United States Design Patent** (10) **Patent No.:** **US D953,806 S**  
**Wu** (45) **Date of Patent:** **\*\* Jun. 7, 2022**

(54) **LID OF BARBECUE STOVE**

(71) Applicant: **Pro-Iroda Industries, Inc.**, Taichung (TW)

(72) Inventor: **Wei Cheng Wu**, Taichung (TW)

(73) Assignee: **Pro-Iroda Industries, Inc.**, Taichung (TW)

(\*\*) Term: **15 Years**

(21) Appl. No.: **29/713,769**

(22) Filed: **Nov. 19, 2019**

(51) **LOC (13) Cl.** ..... **07-02**

(52) **U.S. Cl.**  
USPC ..... **D7/405**

(58) **Field of Classification Search**  
USPC ..... D7/402-409, 332-337, 339-341,  
D7/346-349, 352, 354-355, 362-363,  
D7/338; D6/552  
CPC ..... F24C 15/16; F24C 15/12; F24C 15/10;  
F24C 7/083; F24C 3/082; F24C 3/085;  
A47J 37/07; A47J 37/0704  
See application file for complete search history.

(56) **References Cited**

**U.S. PATENT DOCUMENTS**

D473,102 S	*	4/2003	Zhu	.....	D7/332
D507,927 S	*	8/2005	Nipke	.....	D7/334
D516,369 S	*	3/2006	Zhang	.....	D7/337
D525,818 S	*	8/2006	Chung	.....	D7/332
D577,254 S	*	9/2008	Chung	.....	D7/402
D662,762 S	*	7/2012	Chung	.....	D7/337
D691,850 S	*	10/2013	Bodum	.....	D7/402
D708,478 S	*	7/2014	Pai	.....	D7/402
D712,202 S	*	9/2014	Chung	.....	D7/402
D753,956 S	*	4/2016	Yang	.....	D7/402
D862,967 S	*	10/2019	Workman	.....	D7/332
D919,352 S	*	5/2021	Li	.....	D7/354

**OTHER PUBLICATIONS**

CN Patent Serial No. 305684745, Lid (barbecue grill is used), Weicheng Wu, Pro-Iroda Industries Inc, published Apr. 7, 2020, [retrieved on Dec. 15, 2021], Retrieved from the Internet via Orbit.\*  
EU Patent Serial No. 007743158-0001, Barbecues (part of -), Wei Cheng Wu, Pro-Iroda Industries Inc, published Mar. 19, 2020, [retrieved on Dec. 15, 2021], Retrieved from the Internet via Orbit.\*  
GB Patent Serial No. 9007743158-0001, Barbecues (part of -), Pro-Iroda Industries Inc, published Mar. 9, 2020, [retrieved on Dec. 15, 2021], Retrieved from the Internet via Orbit.\*

\* cited by examiner

*Primary Examiner* — Sheryl Lane

*Assistant Examiner* — Nicole C Shiflet

(74) *Attorney, Agent, or Firm* — Alan D. Kamrath; Karin L. Williams; Mayer & Williams PC

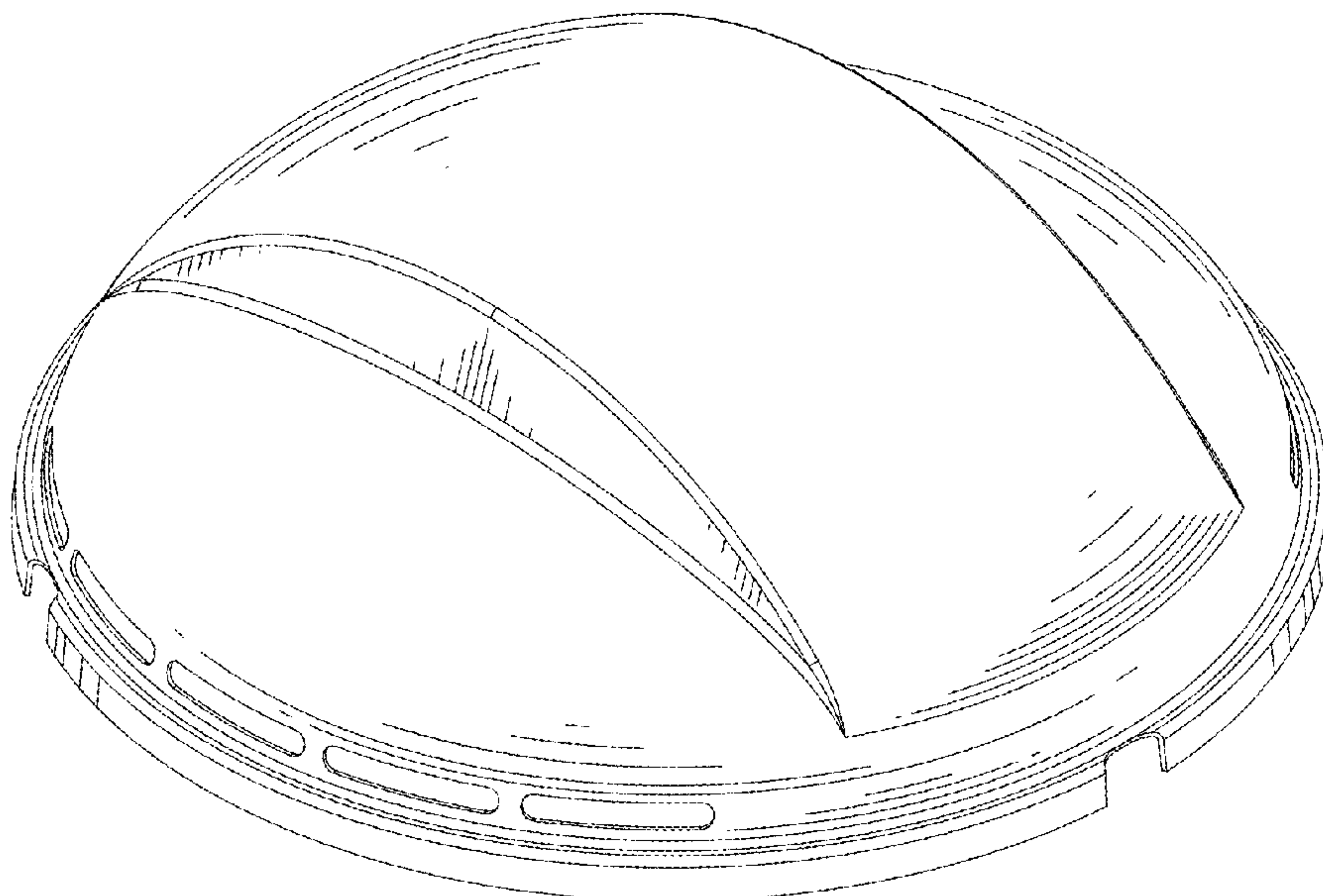
(57) **CLAIM**

The ornamental design for a lid of barbecue stove, as shown and described.

**DESCRIPTION**

FIG. 1 is a perspective view of a lid of barbecue stove showing my new design;  
FIG. 2 is a front view thereof;  
FIG. 3 is a rear view thereof;  
FIG. 4 is a left view thereof;  
FIG. 5 is a right view thereof;  
FIG. 6 is a top view thereof;  
FIG. 7 is a bottom view thereof; and,  
FIG. 8 is another perspective view thereof showing the design in use with a barbecue stove.  
The broken lines depict environment and form no part of the claimed design.

**1 Claim, 8 Drawing Sheets**



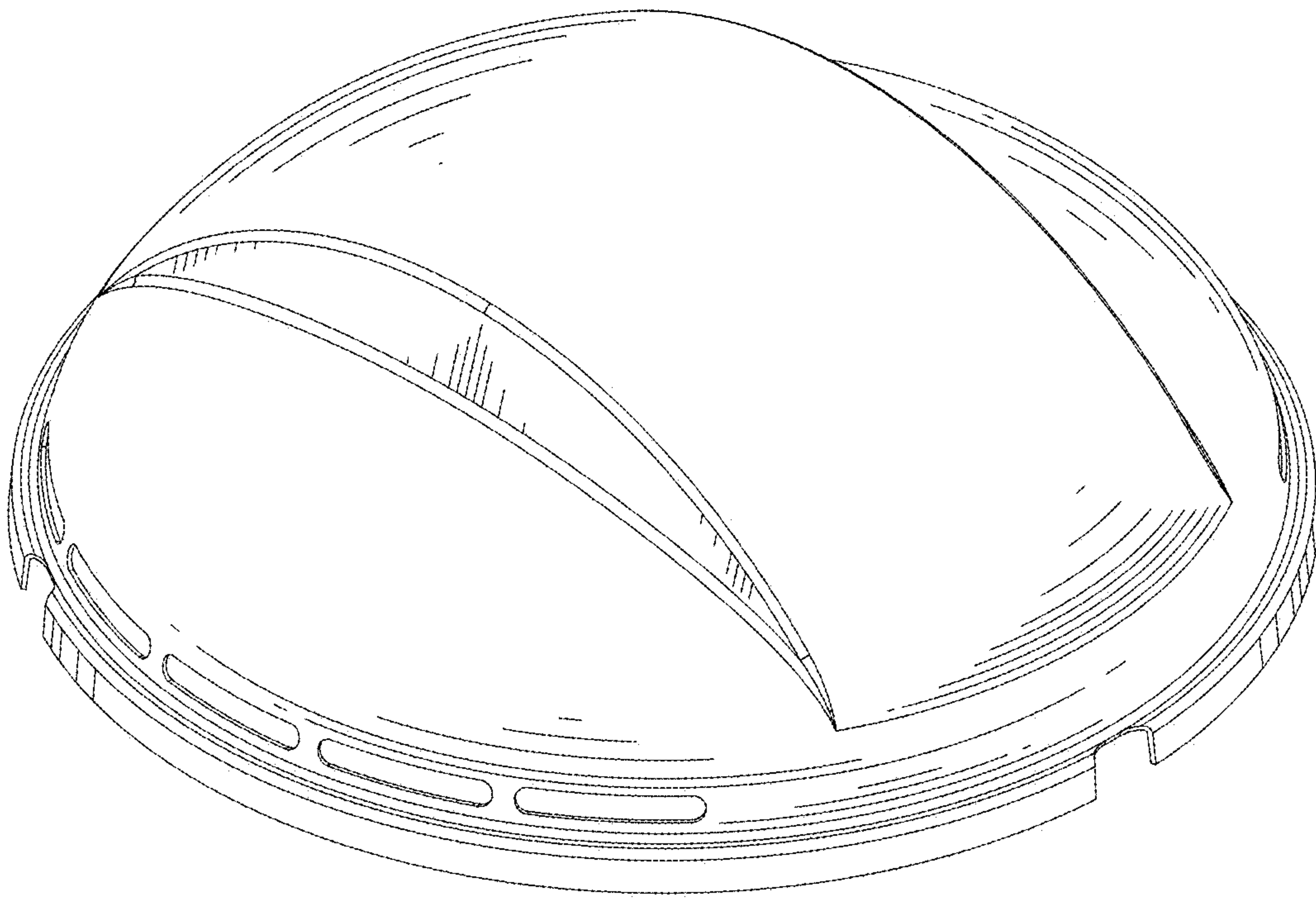


FIG.1

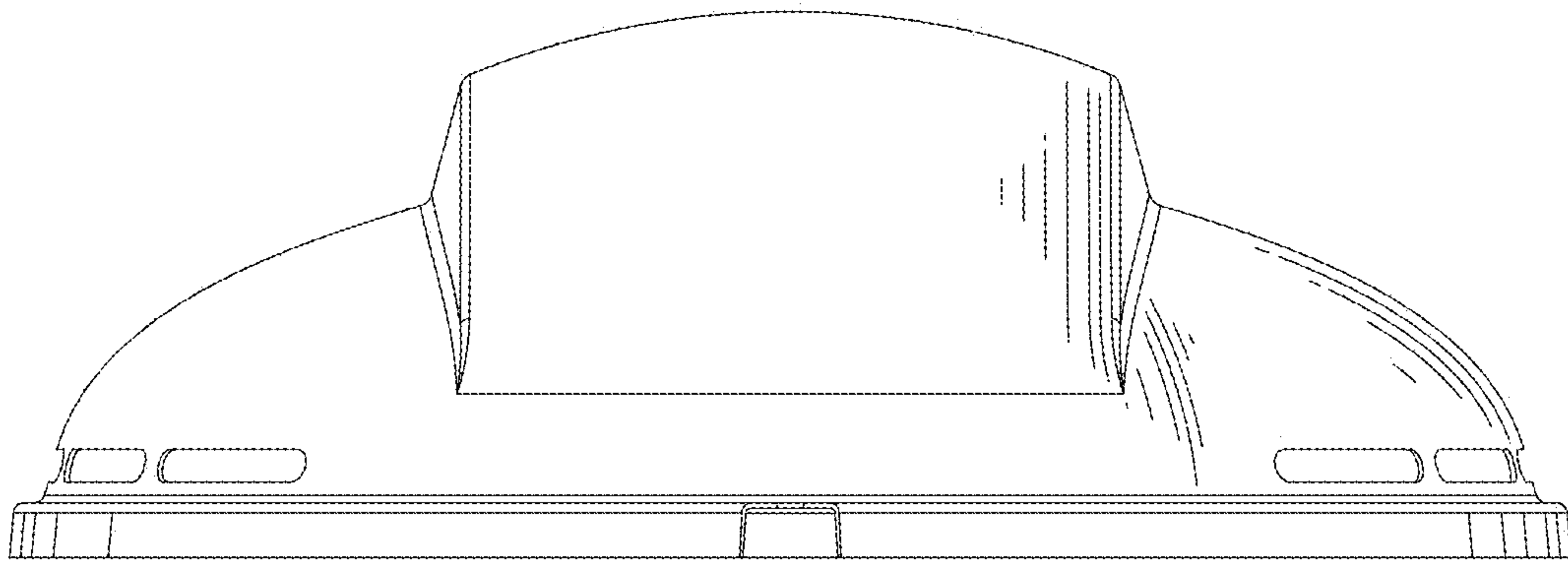


FIG.2

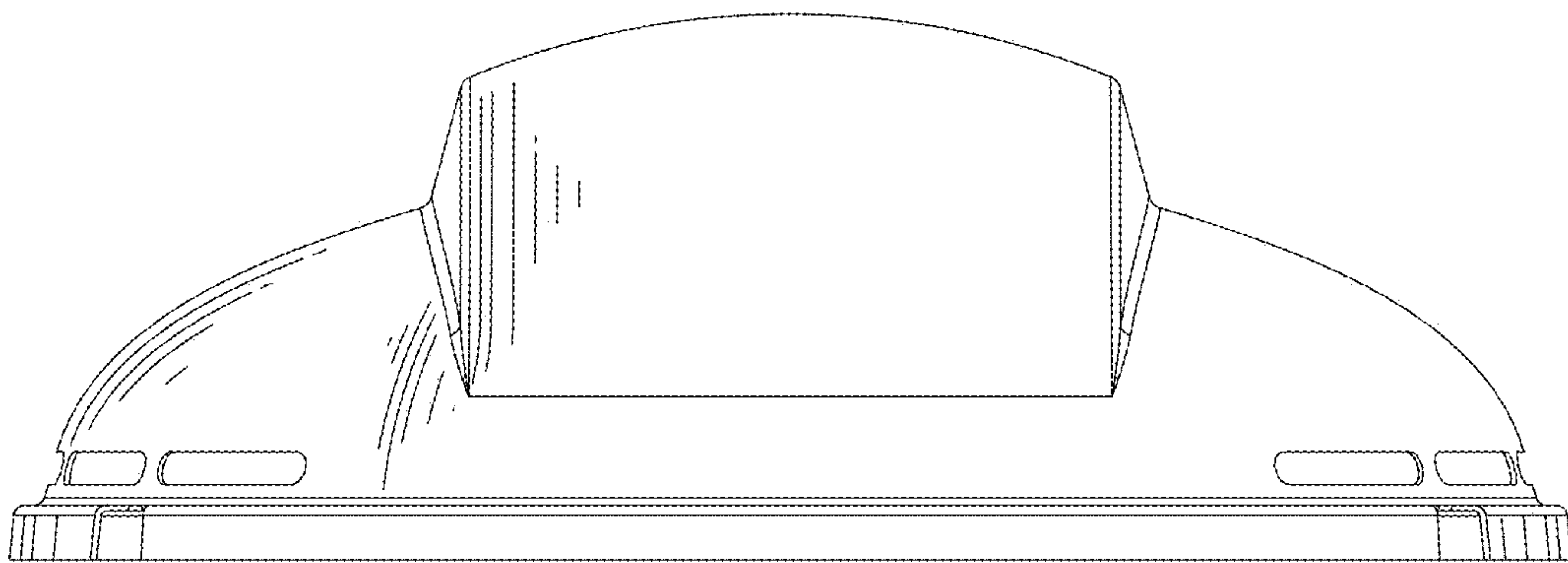


FIG.3

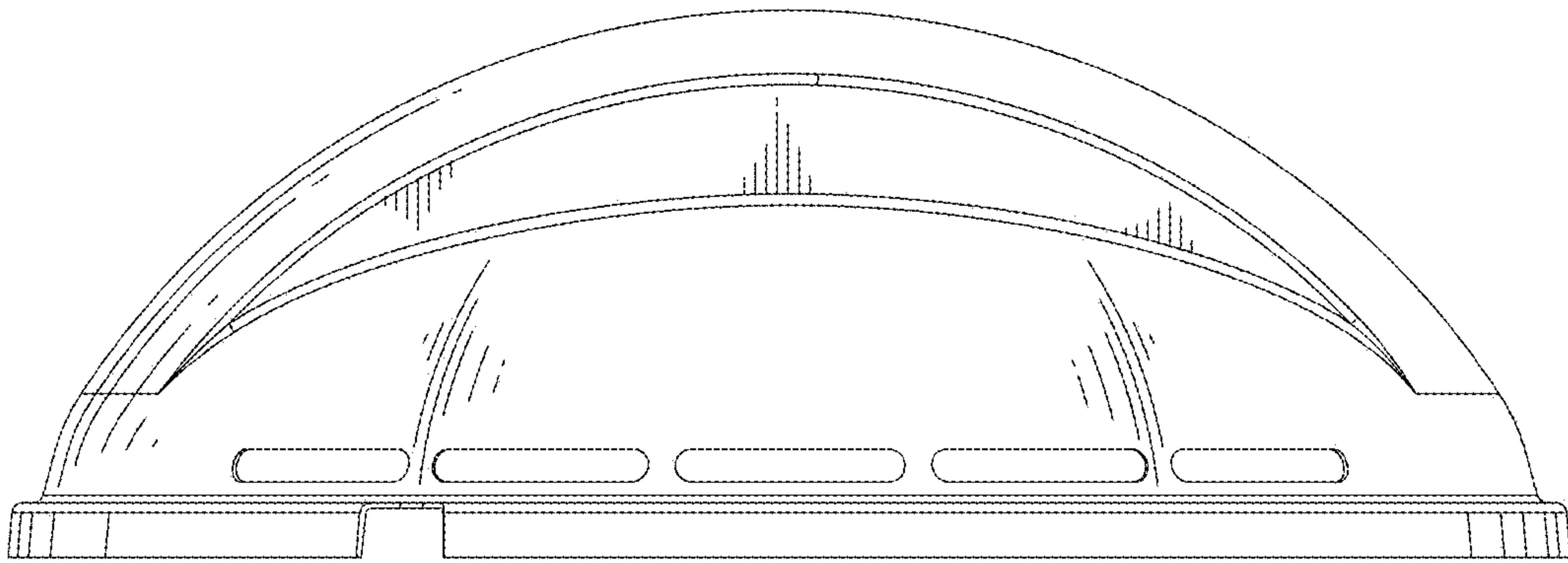


FIG.4

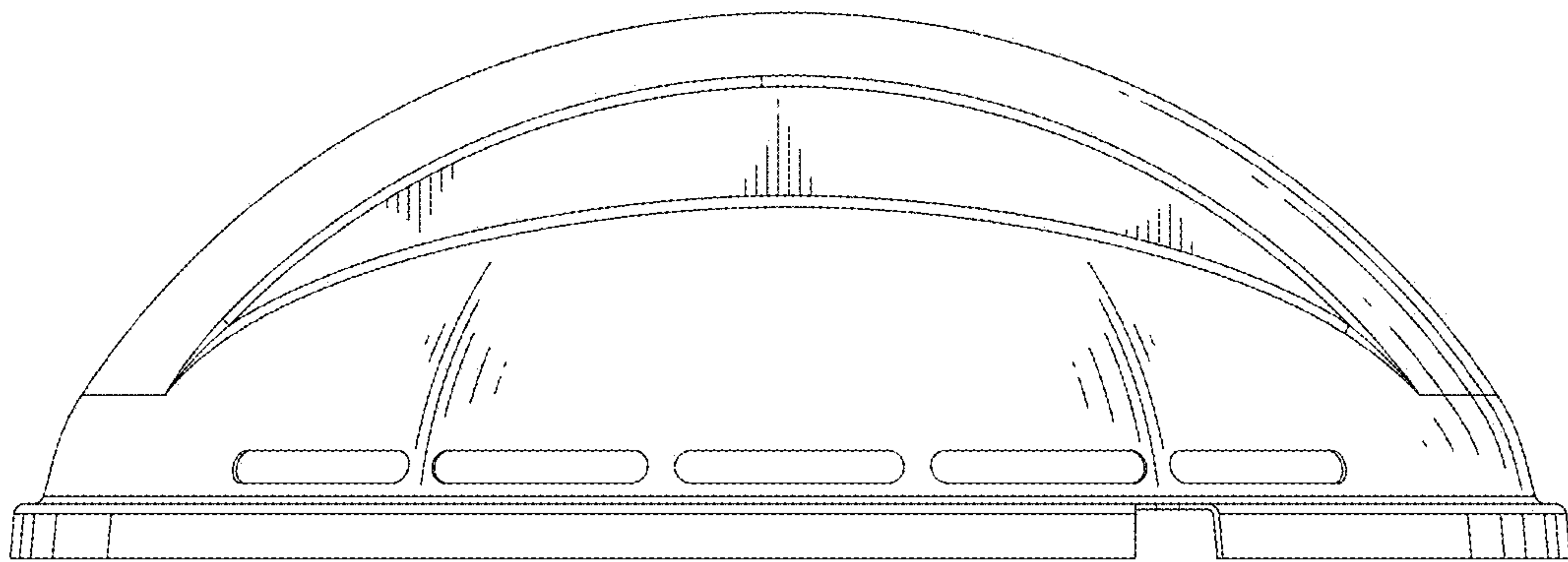


FIG.5



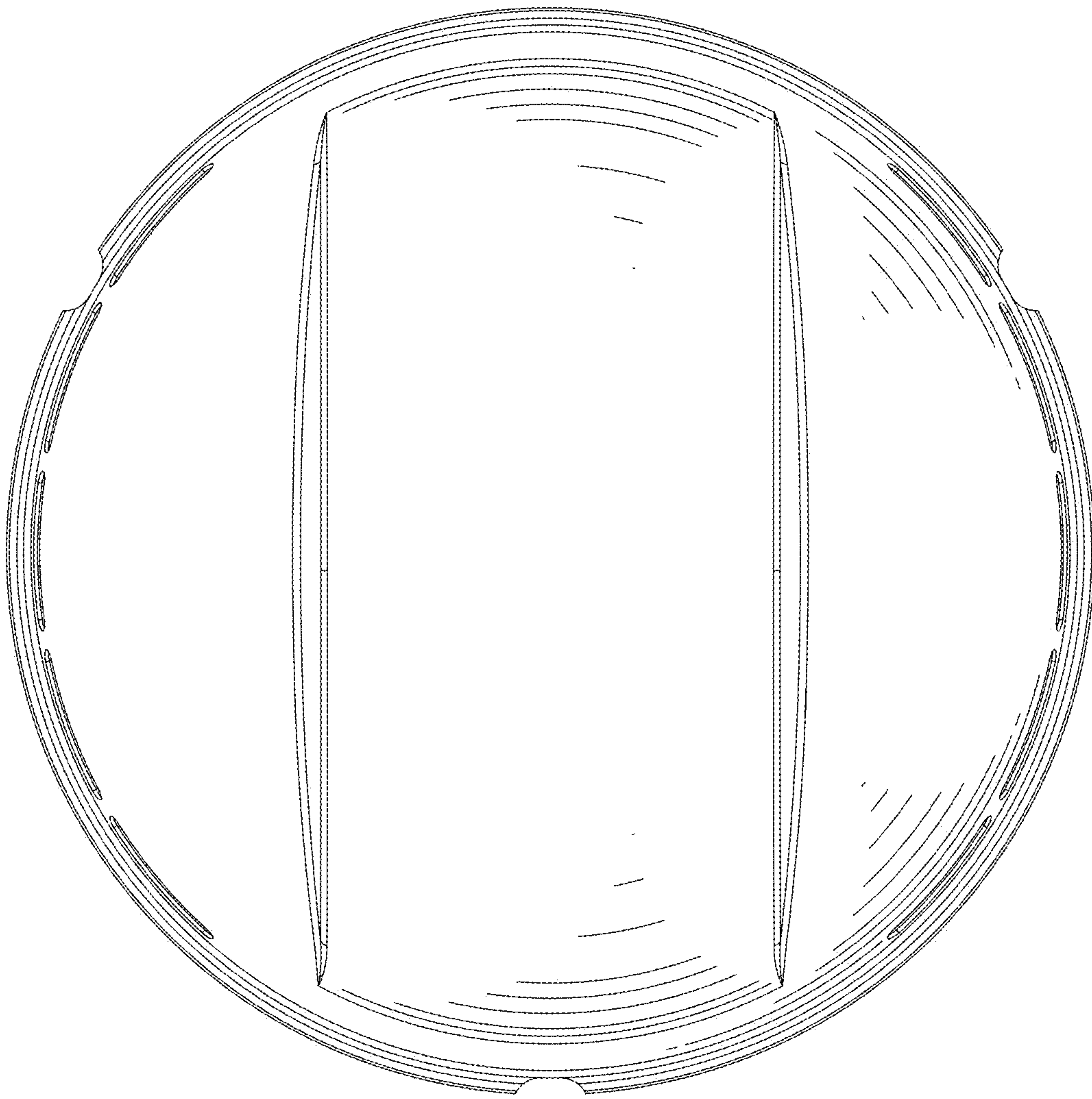


FIG.6

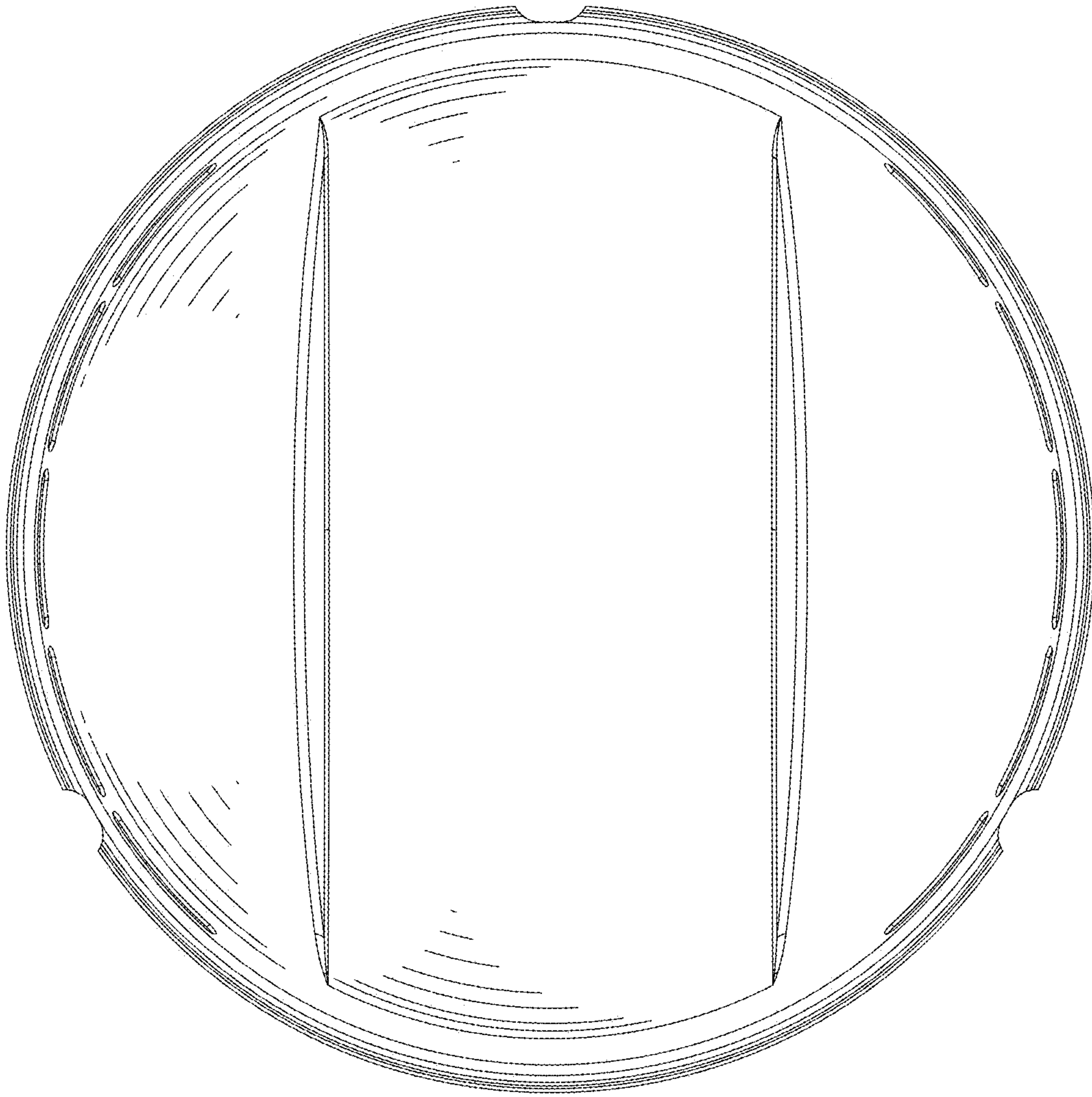


FIG.7



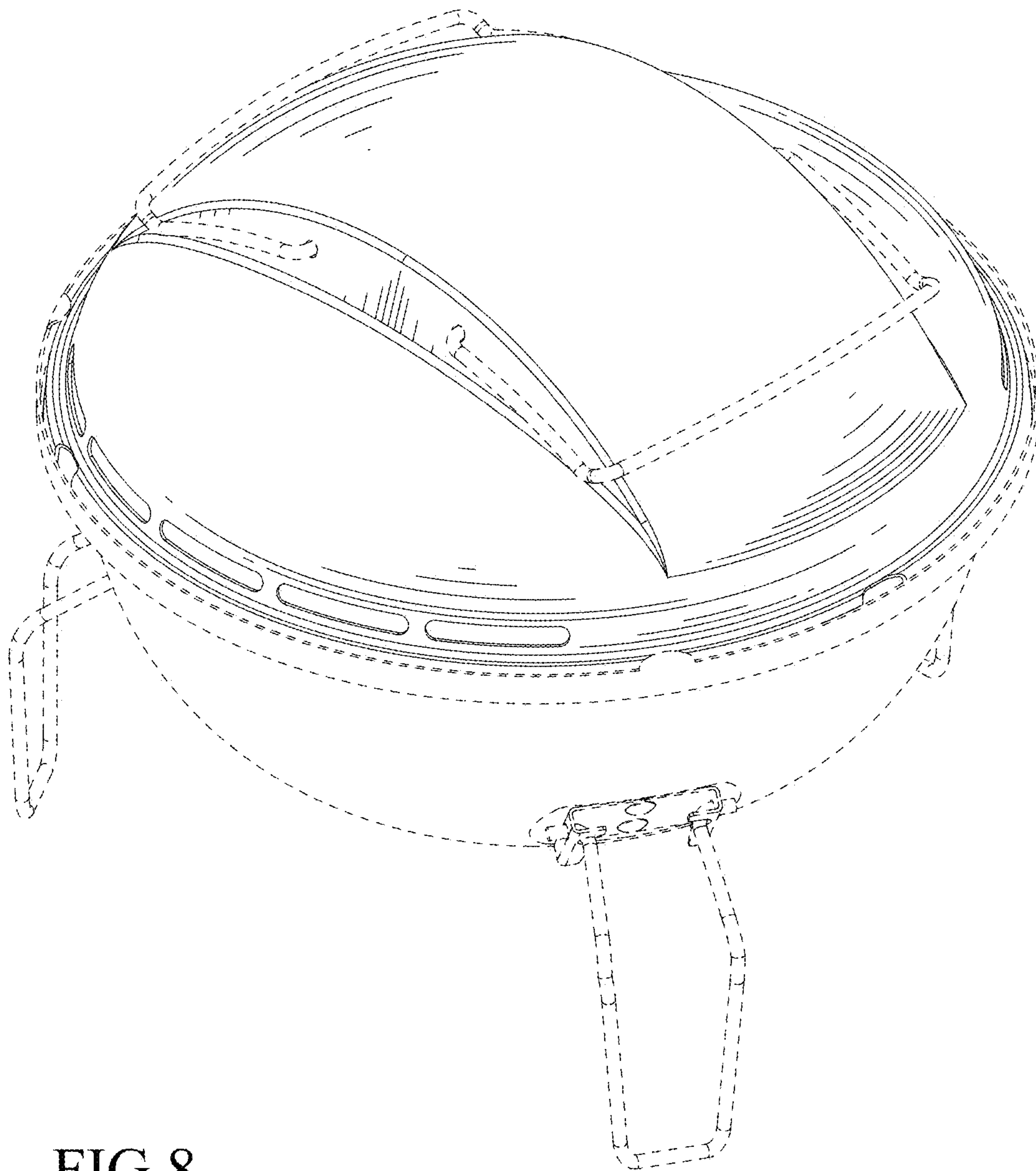


FIG.8