



US00D953805S

(12) **United States Design Patent**  
**Liang**

(10) **Patent No.:** **US D953,805 S**

(45) **Date of Patent:** **\*\* Jun. 7, 2022**

(54) **KNIFE HANDLE**

(71) Applicant: **Feifeng Liang**, Yangjiang (CN)

(72) Inventor: **Feifeng Liang**, Yangjiang (CN)

(\*\*) Term: **15 Years**

(21) Appl. No.: **29/786,894**

(22) Filed: **Jun. 3, 2021**

(51) **LOC (13) Cl.** ..... **07-03**

(52) **U.S. Cl.**

USPC ..... **D7/401.2**; D7/649

(58) **Field of Classification Search**

USPC ..... D7/393-395, 401.2, 642-652, 693,  
D7/695-696; D8/80, 93, 97-100, 107,  
D8/300, 321; D22/117-118

CPC ..... A01B 1/20; A01B 1/22; A22C 25/006;  
A47G 21/06; A47G 21/065; A61B  
17/3211; A61B 17/3213; B21D 53/64;  
B25G 3/36; B25G 1/102; B26B 1/00;  
B26B 1/08; B26B 1/10; B26B 3/00;  
B26B 3/02; B26B 3/03; B26B 3/04;  
B26B 3/06; B26B 5/00; B26B 5/001;  
B26B 5/007; B26B 7/00; B26B 7/005;  
B26B 9/00; B26B 9/02; B26B 11/00;  
B26B 11/006; B26B 17/00; B26B 17/006;  
B26B 29/02

See application file for complete search history.

(56) **References Cited**

**U.S. PATENT DOCUMENTS**

D557,081 S	*	12/2007	Hadj-Chikh	.....	D7/649
D649,841 S	*	12/2011	Lo	.....	D7/649
D770,850 S	*	11/2016	Keating	.....	D7/649
D773,891 S	*	12/2016	Liu	.....	D7/649
D807,696 S	*	1/2018	Liu	.....	D7/649
D831,419 S		10/2018	Liu		
D831,420 S		10/2018	Liu		
D832,044 S		10/2018	Gauss		

D853,187 S		7/2019	Berger		
D856,751 S		8/2019	Elie		
D871,136 S		12/2019	Brouillac		
D871,137 S		12/2019	Brouillac		
D874,873 S		2/2020	Chen		
D881,644 S		4/2020	Liu		
D885,127 S		5/2020	Lin		
D891,882 S	*	8/2020	Almazan	.....	D7/649
D920,056 S	*	5/2021	Chen	.....	D7/649
D925,301 S	*	7/2021	Liang	.....	D7/649
D926,517 S	*	8/2021	Liu	.....	D7/649

**OTHER PUBLICATIONS**

Grand Sharp Store Butcher Knife. Date First Available on Amazon.com Mar. 29, 2021. <https://www.amazon.com/dp/B08X499PCH/ref> (Year: 2021).\*  
<https://www.amazon.com/dp/B08X499PCH>; Mar. 29, 2021.

(Continued)

*Primary Examiner* — Ricky Pham

(74) *Attorney, Agent, or Firm* — Rumit Ranjit Kanakia

(57)

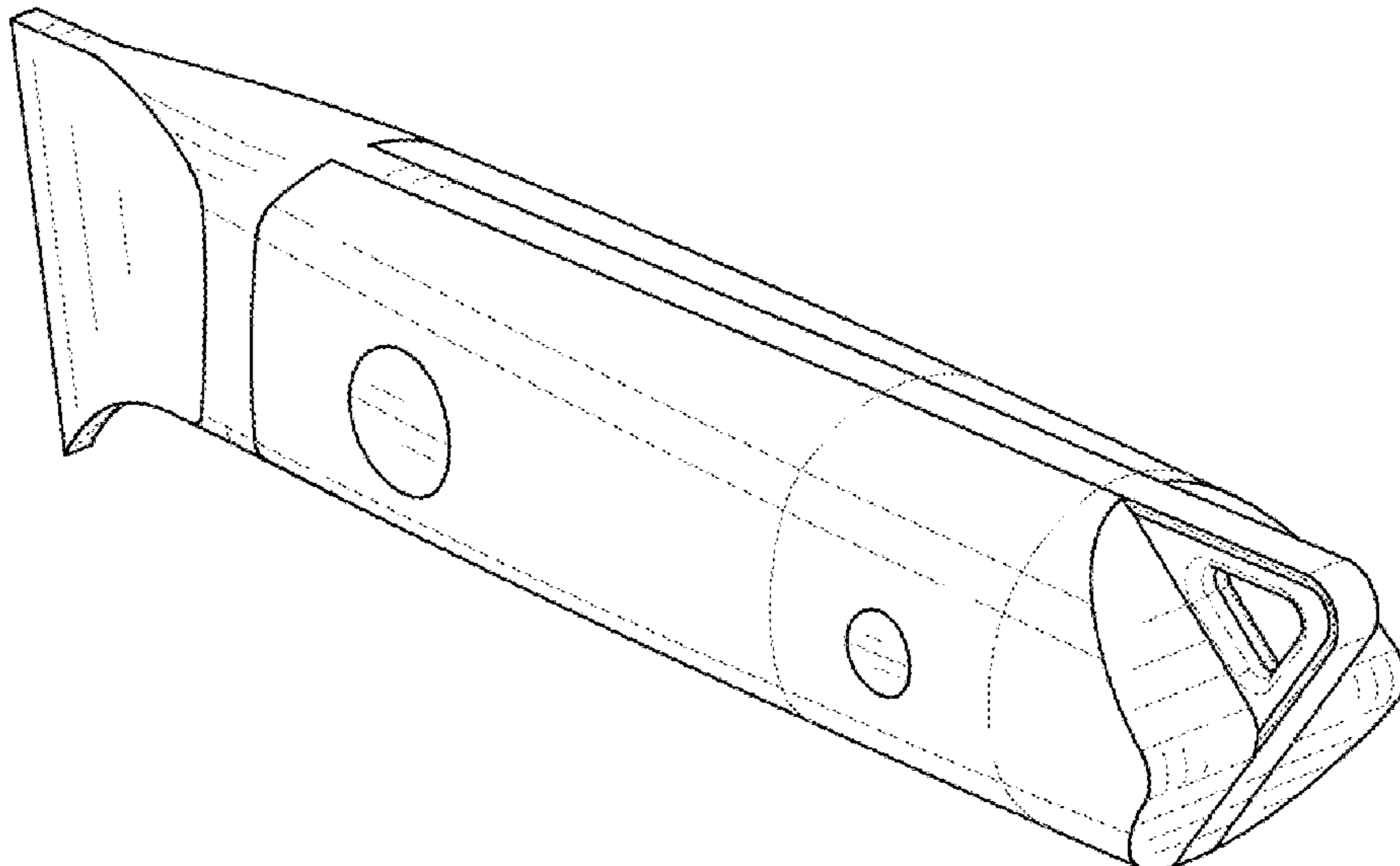
**CLAIM**

The ornamental design for a knife handle, as shown and described.

**DESCRIPTION**

FIG. 1 is a front elevational view of a knife handle showing my new design;  
FIG. 2 is a rear elevational view thereof; and  
FIG. 3 is a left elevational view thereof;  
FIG. 4 is a right side view thereof;  
FIG. 5 is a top side view thereof;  
FIG. 6 is a bottom plan view thereof; and,  
FIG. 7 is a perspective view of a knife handle showing my new design.  
The broken lines in the figures are for the purposes of illustrating portions of the knife handle, which form no part of the claimed design.

**1 Claim, 7 Drawing Sheets**



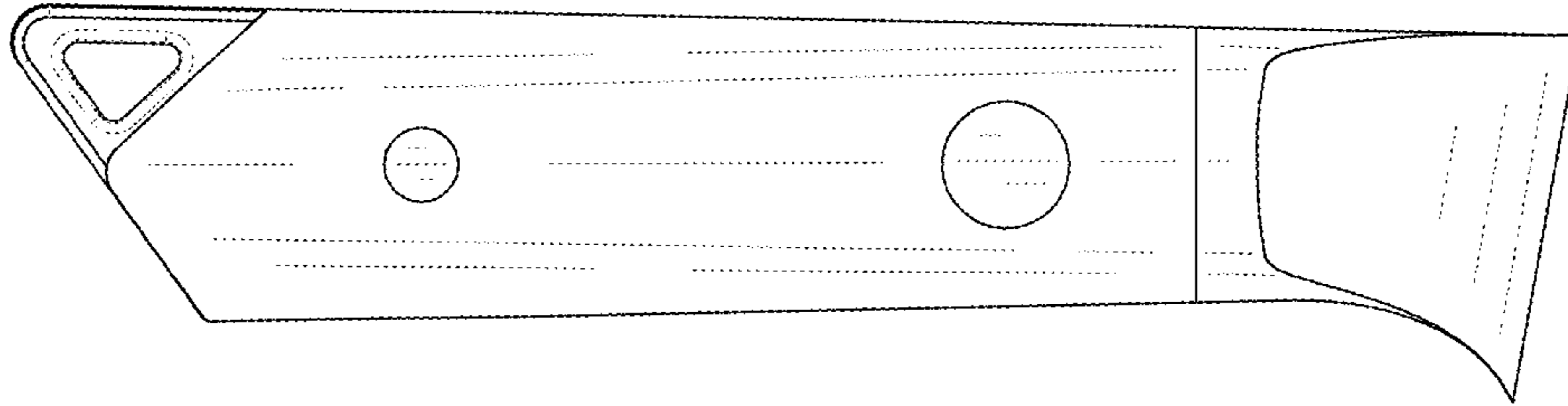
(56)

**References Cited**

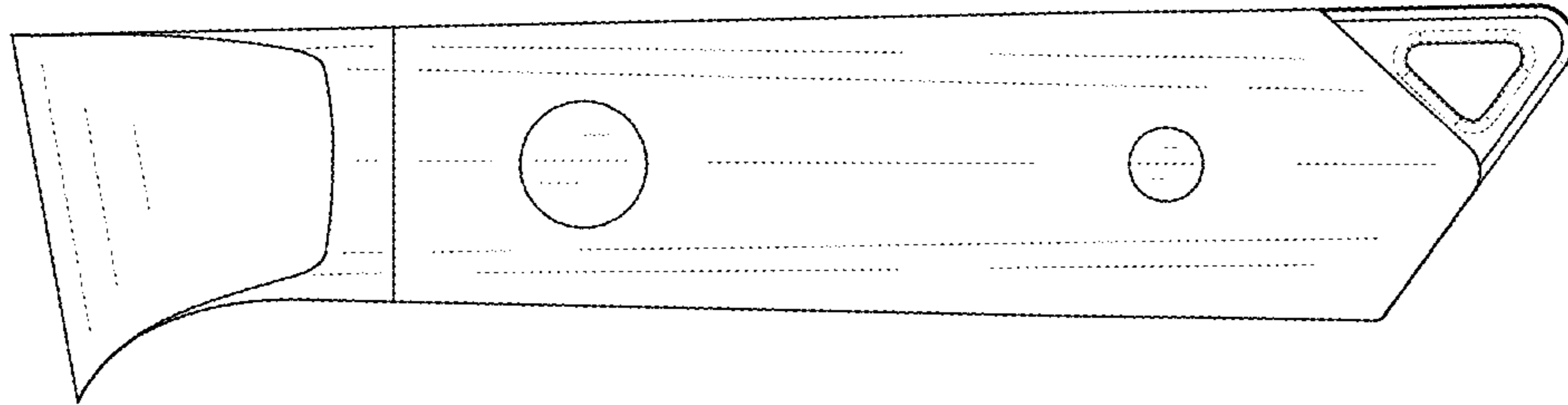
OTHER PUBLICATIONS

Grand Sharp, [Full Tang]Butcher Knife Handmade Forged Kitchen 8" Chef Knife Grandsharp Pro Razor Sharp Serbian Clad High Carbon Steel Vegetable Chopping Cutting Meat Cleaver with Leather Sheath-Ebony Wood Handle, Mar. 29, 2021, Amazon.com, USA (last accessed on Jun. 3, 2021).

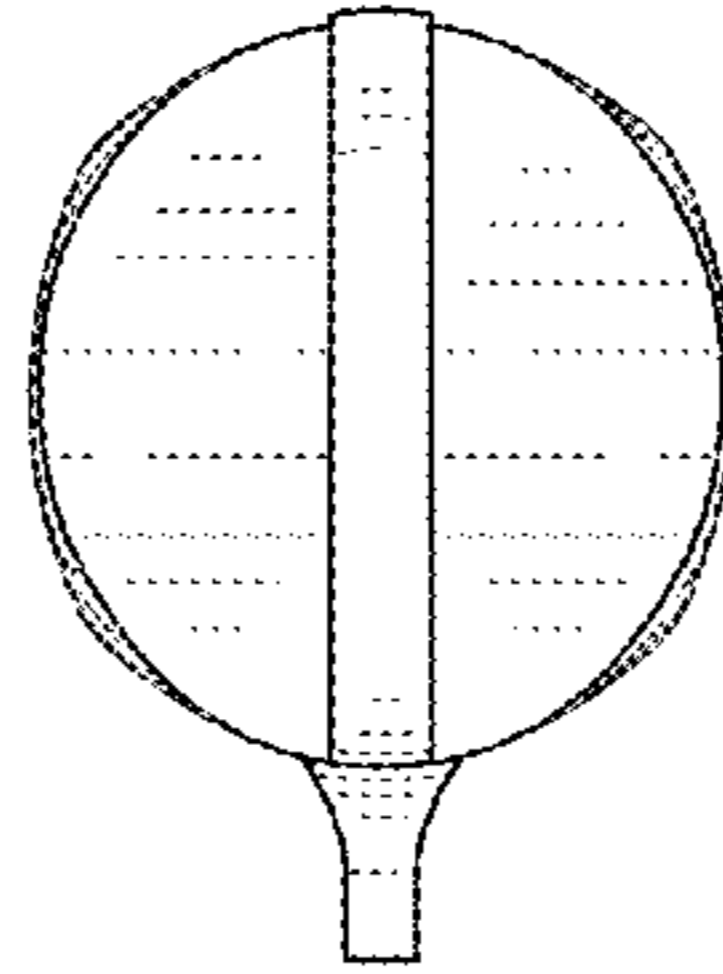
\* cited by examiner



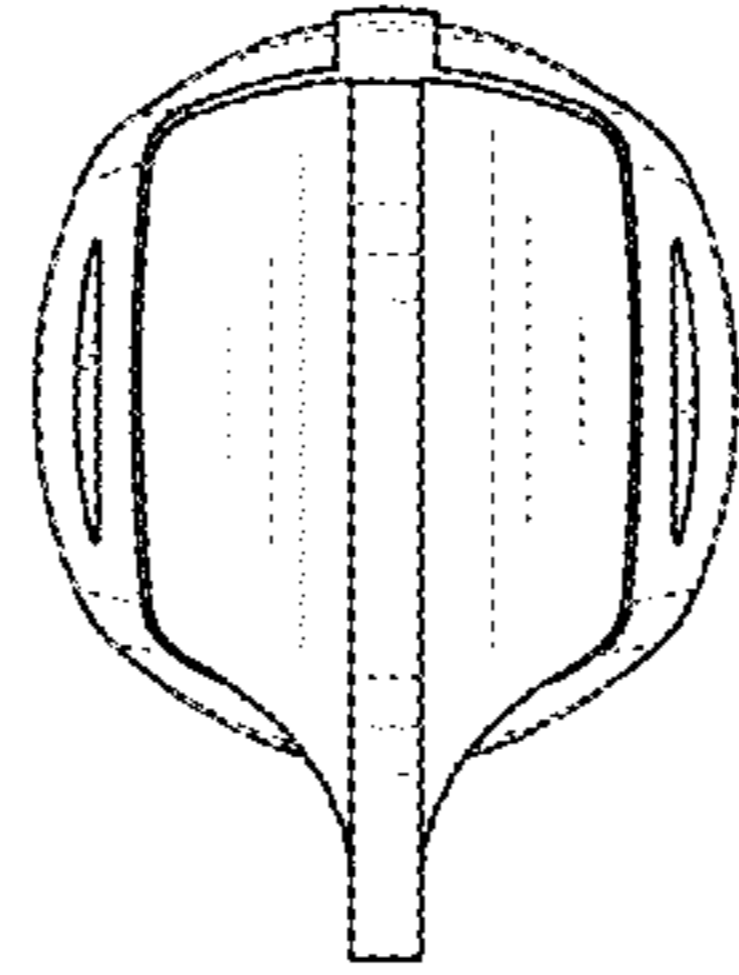
**FIG. 1**



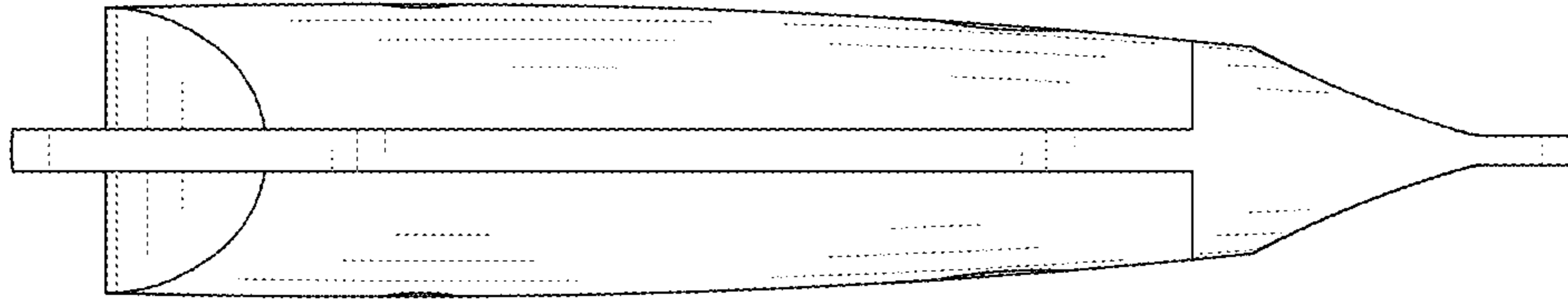
***FIG. 2***



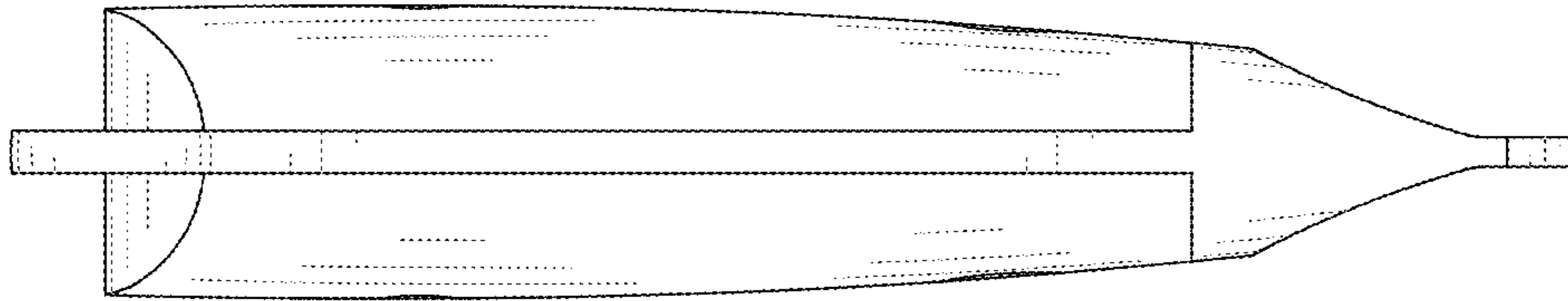
***FIG. 3***



***FIG. 4***

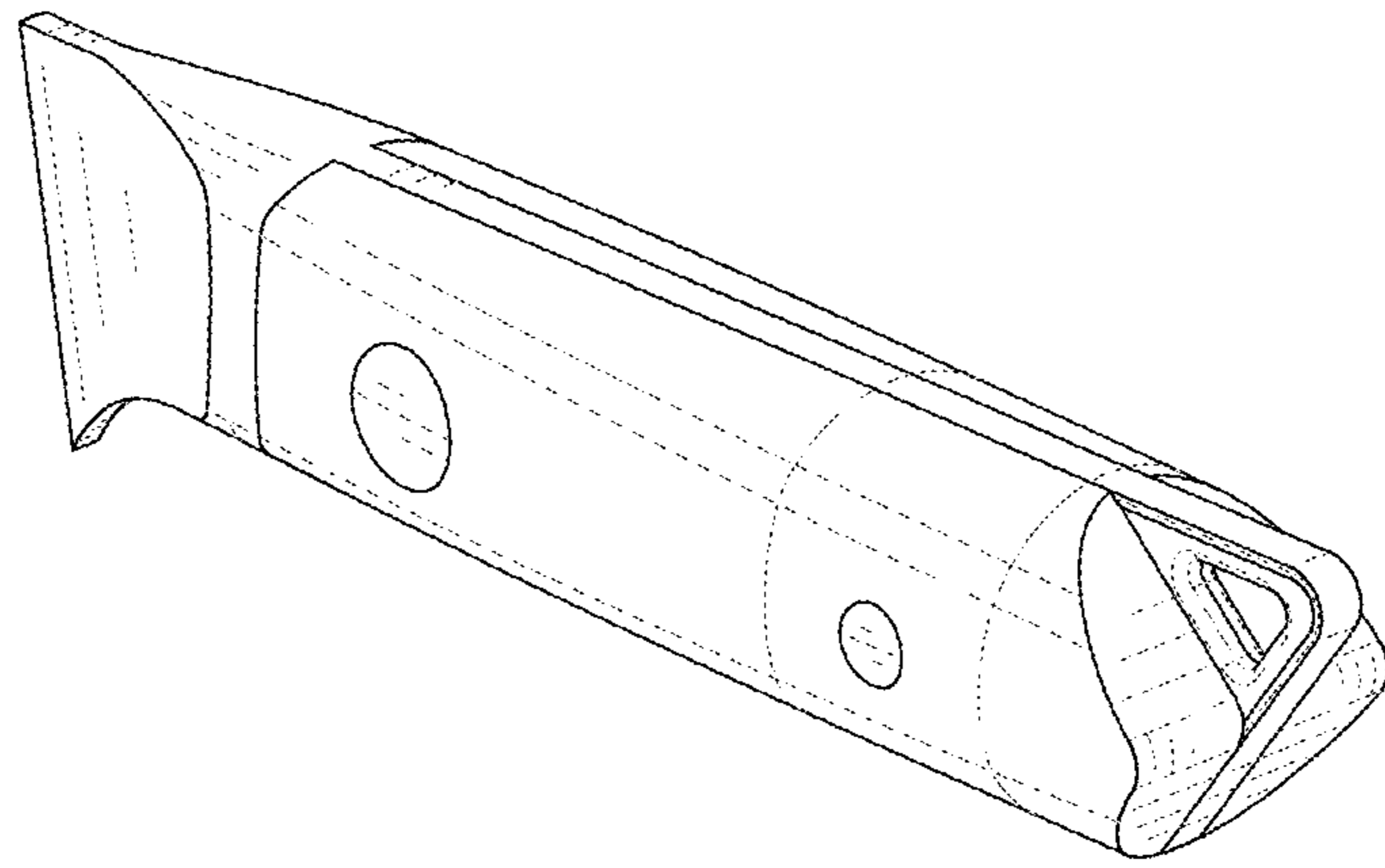


**FIG. 5**



**FIG. 6**





***FIG. 7***