



US00D953803S

(12) **United States Design Patent** (10) **Patent No.:** **US D953,803 S**  
**Fedorak et al.** (45) **Date of Patent:** **\*\* Jun. 7, 2022**

(54) **BEVERAGE CAPSULE RECEIVING ADAPTOR**

(71) Applicant: **BARTESIAN INC.**, Kitchener (CA)

(72) Inventors: **Bryan Neil Stephen Fedorak**, Waterloo (CA); **Jason Neevel**, Santa Clara, CA (US); **Kristopher Christensen**, Oakville (CA); **Jacob Edding**, East York (CA); **Art De Guzman**, Toronto (CA); **Nicol Alexander Boyd**, Kennedy Town (HK); **Jeffrey George Dayman**, Waterloo (CA); **Kevin William Appleby**, Kitchener (CA); **Tomas Wilhelm Rosen**, Lidingö (SE); **David R. Hawks**, Glen Allen, VA (US); **Matthew T. Carley**, Richmond, VA (US)

(73) Assignee: **BARTESIAN INC.**, Kitchener (CA)

(\*\*) Term: **15 Years**

(21) Appl. No.: **29/810,177**

(22) Filed: **Oct. 1, 2021**

**Related U.S. Application Data**

(62) Division of application No. 29/738,621, filed on Jun. 18, 2020, which is a division of application No. 29/653,902, filed on Jun. 19, 2018, now Pat. No. Des. 890,569.

(51) **LOC (13) Cl.** ..... **07-99**

(52) **U.S. Cl.**  
USPC ..... **D7/400**

(58) **Field of Classification Search**  
 USPC ..... D7/300, 387, 397, 399, 400, 401, 602, D7/619.1, 667; D23/209  
 CPC ..... A47J 27/21058; A47J 31/40; A47J 31/41; A47J 31/44; A47J 47/00; A47G 19/12; A47G 19/14; A47G 19/145; B01D 35/02; B65B 39/00; B65D 47/06

See application file for complete search history.

(56) **References Cited**

U.S. PATENT DOCUMENTS

D513,152 S *	12/2005	Cahen .....	D7/399
D539,643 S *	4/2007	Abel .....	D9/414
D700,475 S *	3/2014	Avigdor .....	D7/400
D703,039 S *	4/2014	Hansen .....	D9/429
D747,139 S *	1/2016	Rondelli .....	D7/400

(Continued)

OTHER PUBLICATIONS

Bartesian Inc., Design U.S. Appl. No. 29/738,621, Entitled "Beverage Capsule Receiving Adaptor", filed Jun. 18, 2020.

(Continued)

*Primary Examiner* — Andrew Kerr

(74) *Attorney, Agent, or Firm* — Perry + Currier

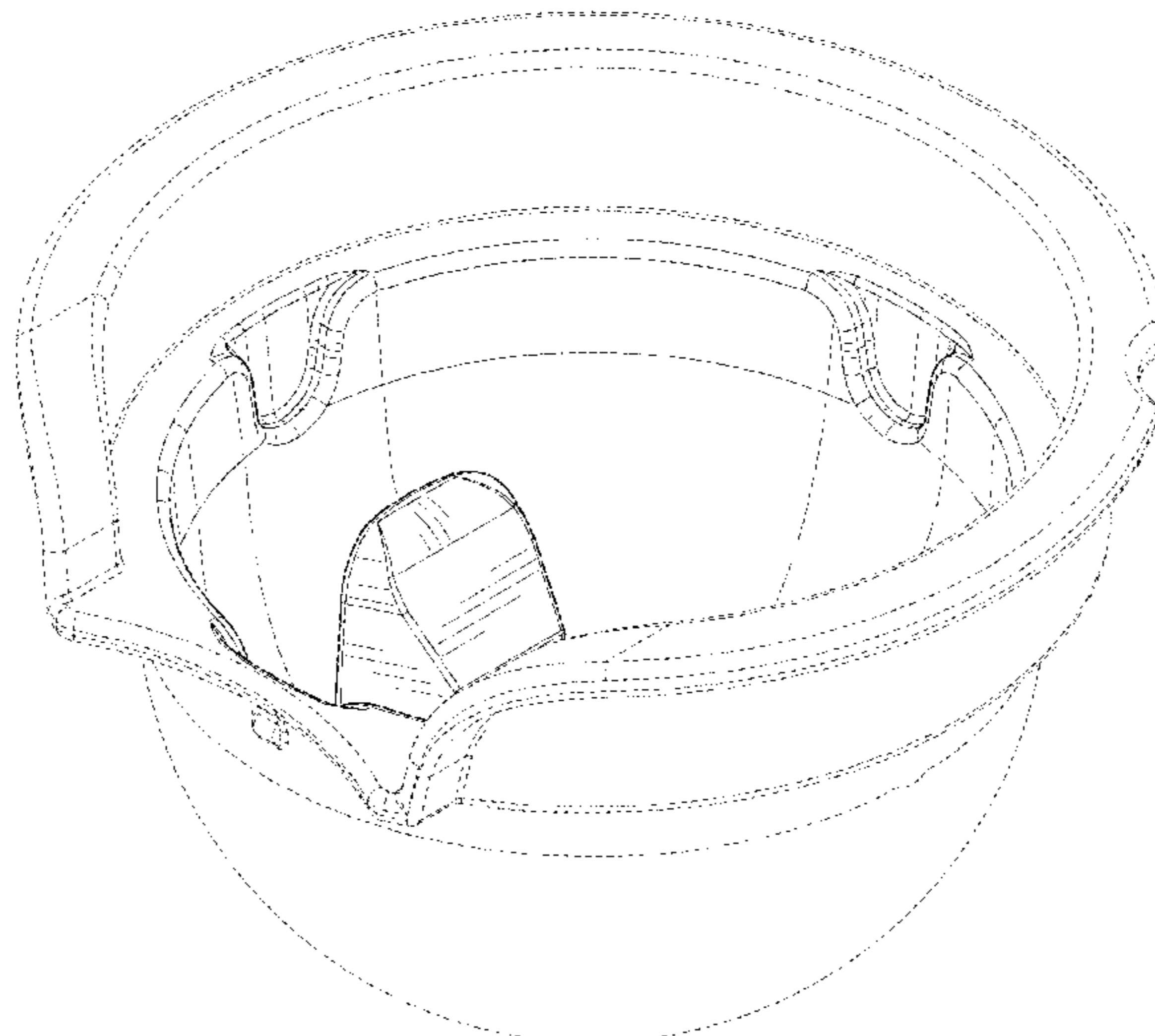
(57) **CLAIM**

What is claimed is the ornamental design for a beverage capsule receiving adaptor, as shown and described.

**DESCRIPTION**

FIG. 1 shows a top perspective view of a beverage capsule receiving adaptor, showing our new design.  
 FIG. 2 shows a bottom perspective view thereof.  
 FIG. 3 shows another top perspective view thereof.  
 FIG. 4 shows a left side elevation view thereof.  
 FIG. 5 shows a front side elevation view thereof.  
 FIG. 6 shows a right side elevation view thereof.  
 FIG. 7 shows a rear side elevation view thereof.  
 FIG. 8 shows a top plan view thereof; and,  
 FIG. 9 shows a bottom plan view thereof.  
 The broken lines in the drawings depict portions of the beverage capsule receiving adaptor that form no part of the claimed design.

**1 Claim, 9 Drawing Sheets**



(56)

**References Cited**

U.S. PATENT DOCUMENTS

D766,078 S \* 9/2016 Hansen ..... D9/416  
D782,908 S \* 4/2017 Bentkovski ..... D9/449  
D796,898 S \* 9/2017 Robotti ..... D7/400  
D800,497 S \* 10/2017 Fedorak ..... D7/397  
D844,379 S \* 4/2019 Simonazzi ..... D7/400  
D853,843 S \* 7/2019 Michailides ..... D9/449  
D876,299 S \* 2/2020 Sunde ..... D12/180  
2004/0188374 A1 \* 9/2004 Ochoa Laburu ... B65D 47/0828  
215/235  
2015/0056331 A1 \* 2/2015 Rivera ..... B65D 85/8043  
426/82  
2015/0274412 A1 \* 10/2015 Bisio ..... B65D 85/8046  
426/115  
2016/0362246 A1 \* 12/2016 Garcin ..... A47J 31/407

OTHER PUBLICATIONS

Bartesian Inc., Design U.S. Appl. No. 29/653,902, Entitled "Beverage Capsule Receiving Adaptor", filed Jun. 19, 2018.

\* cited by examiner

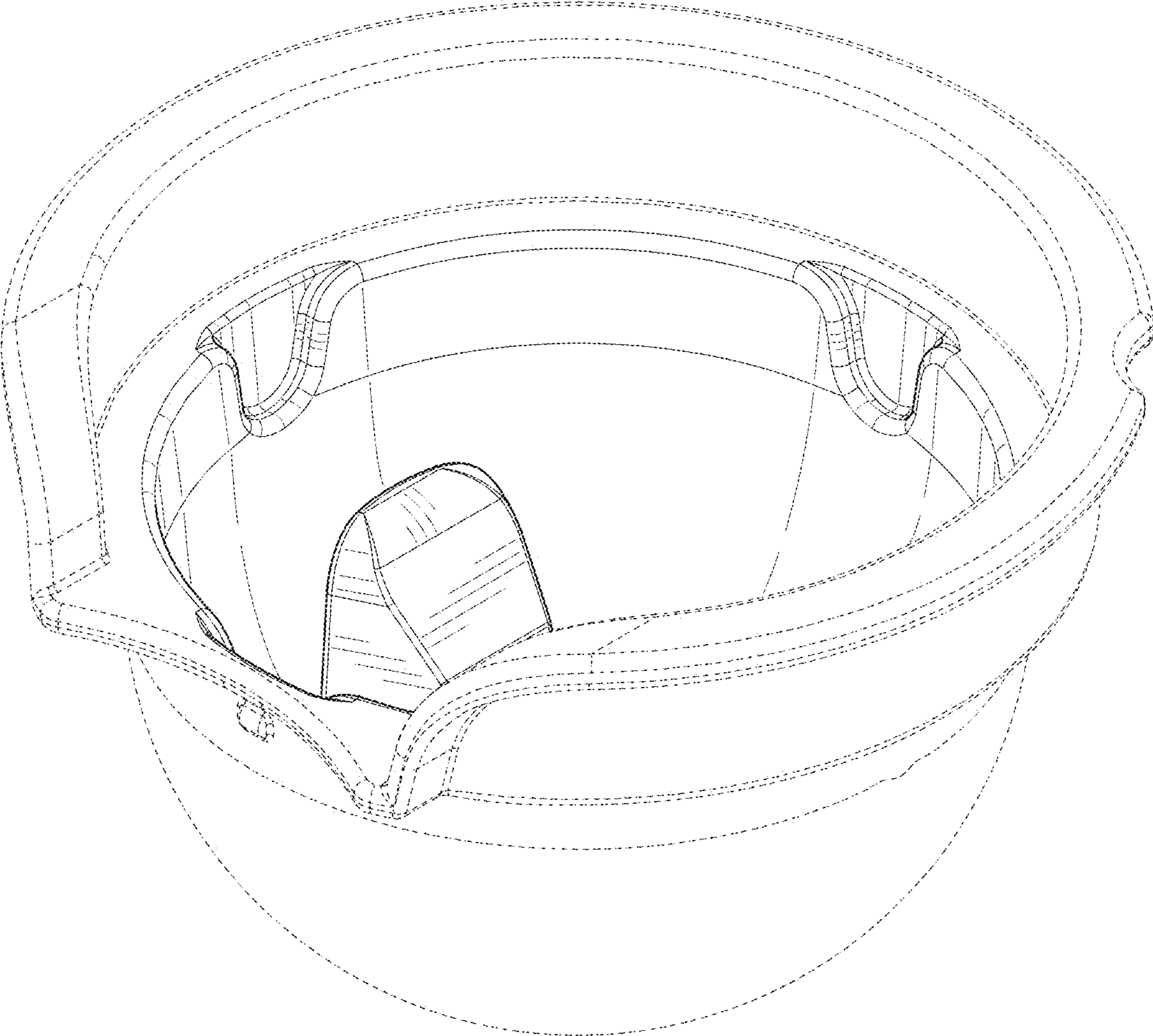


FIG. 1

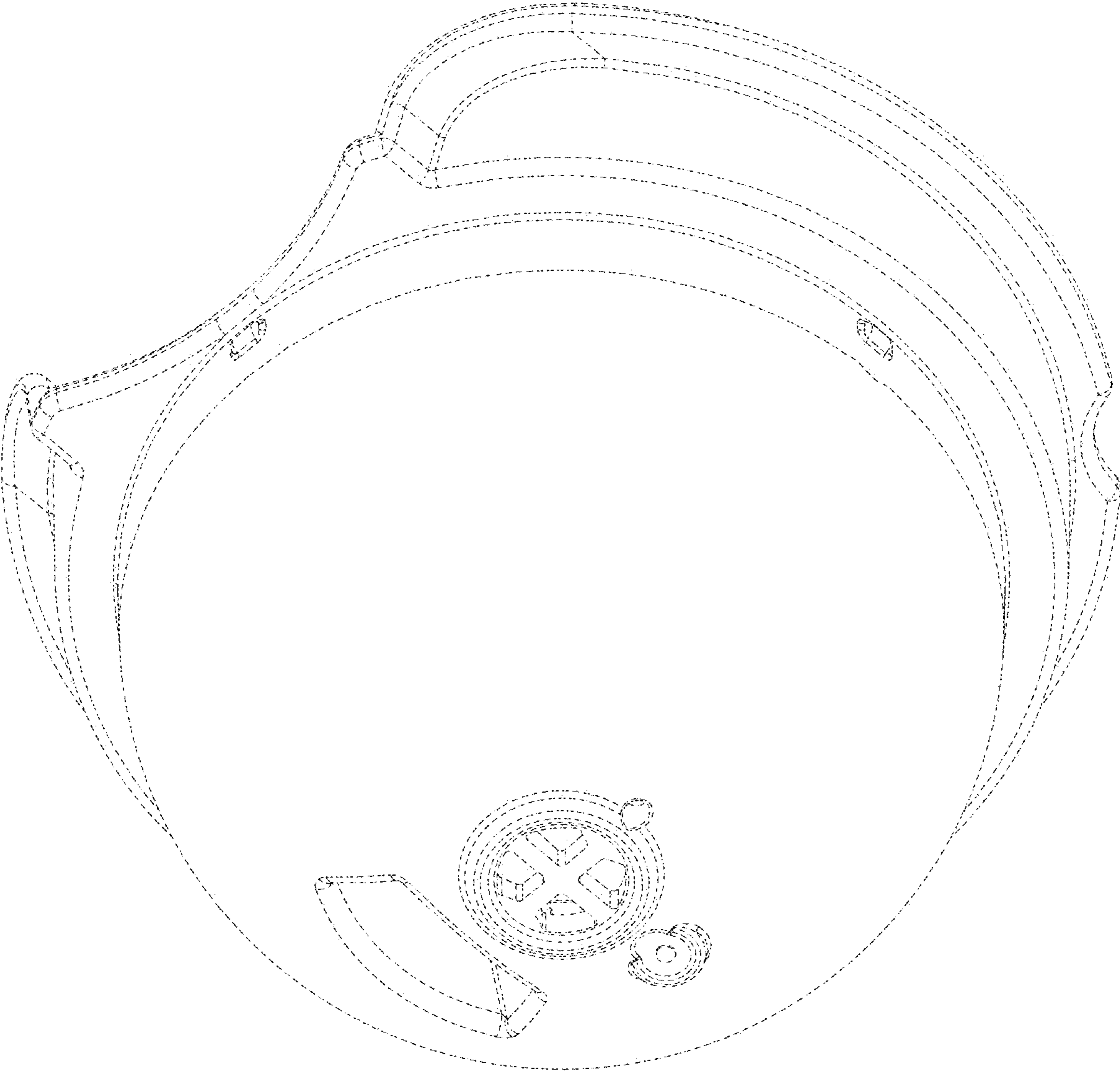


FIG. 2

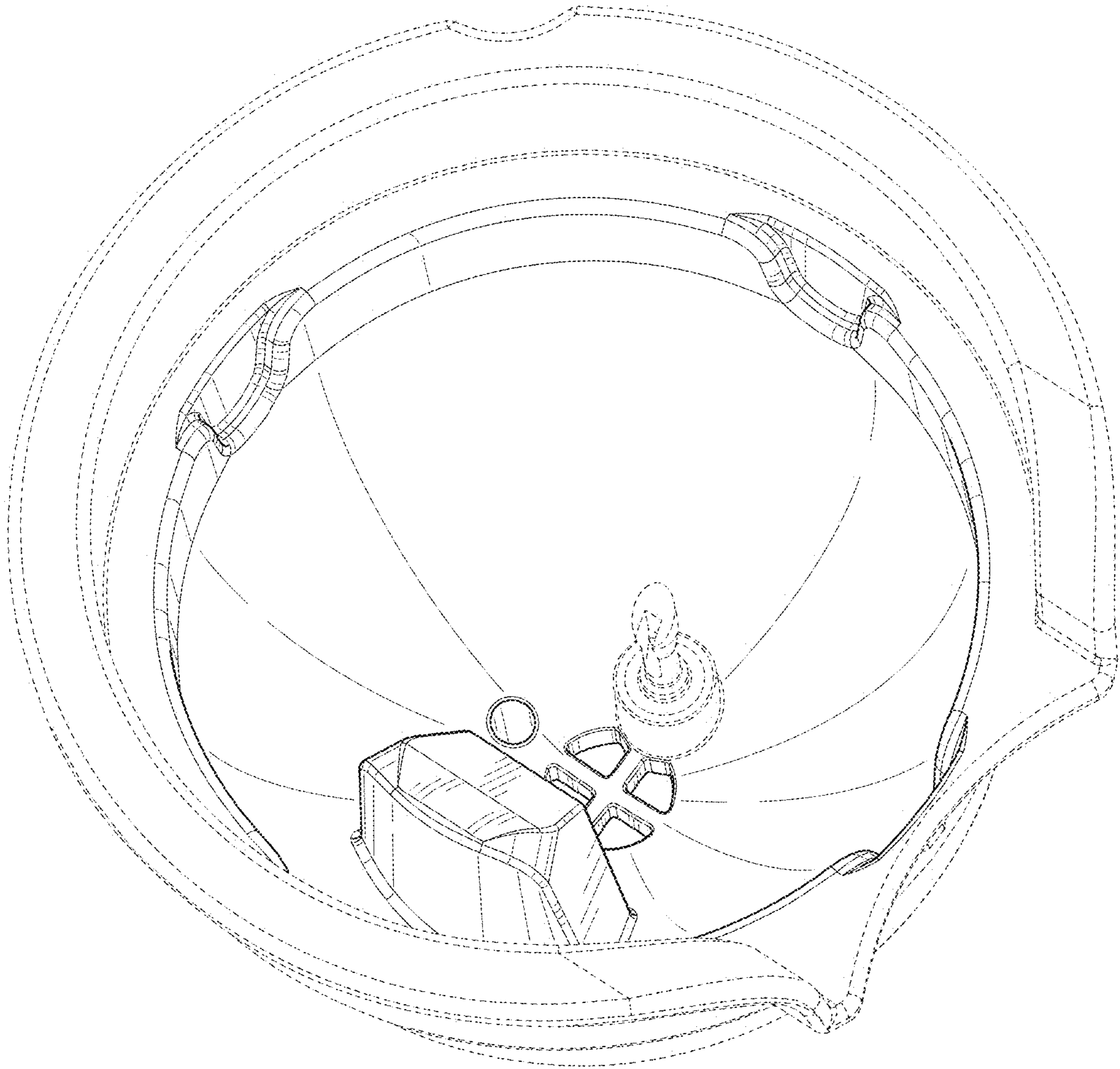


FIG. 3

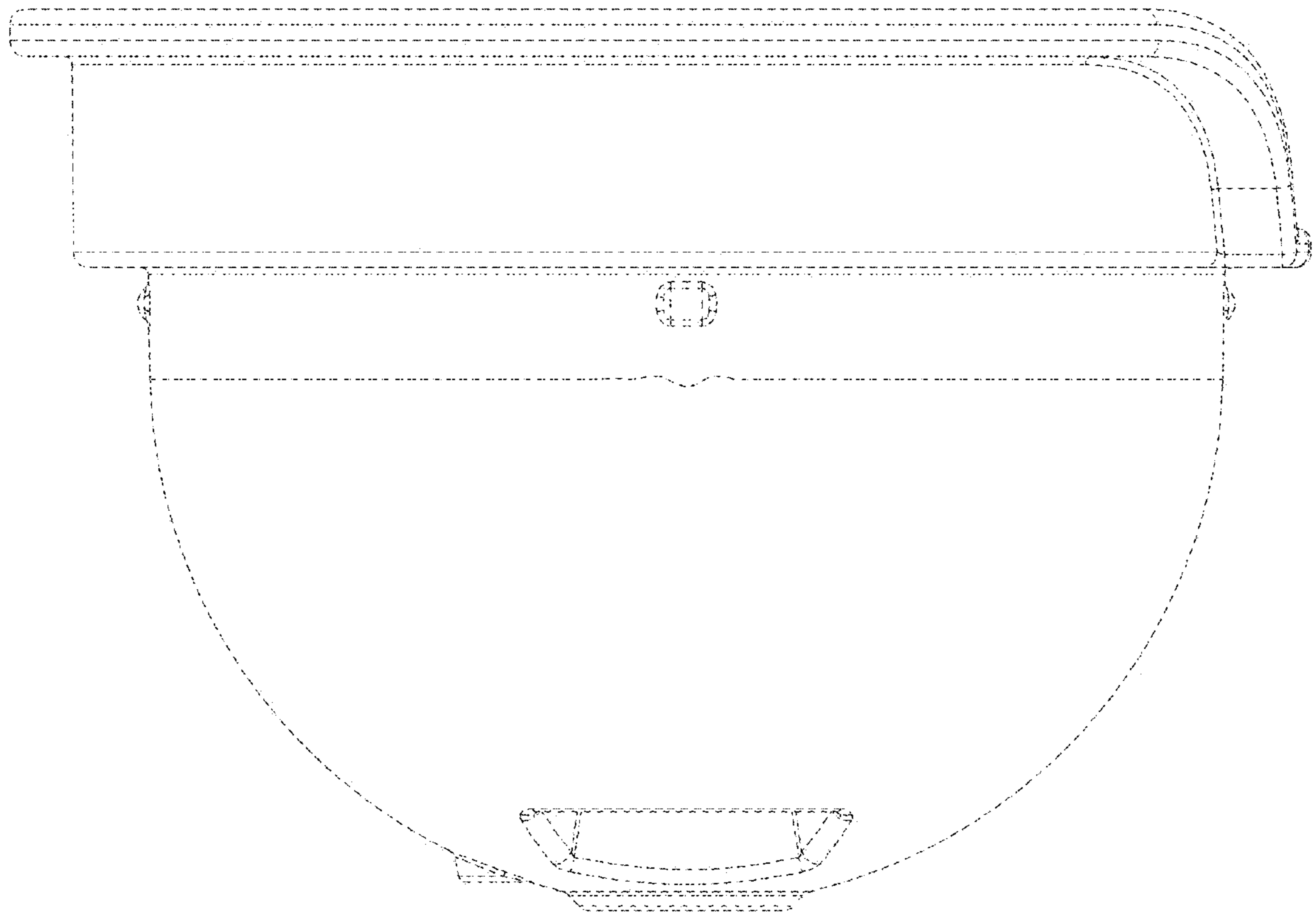


FIG. 4

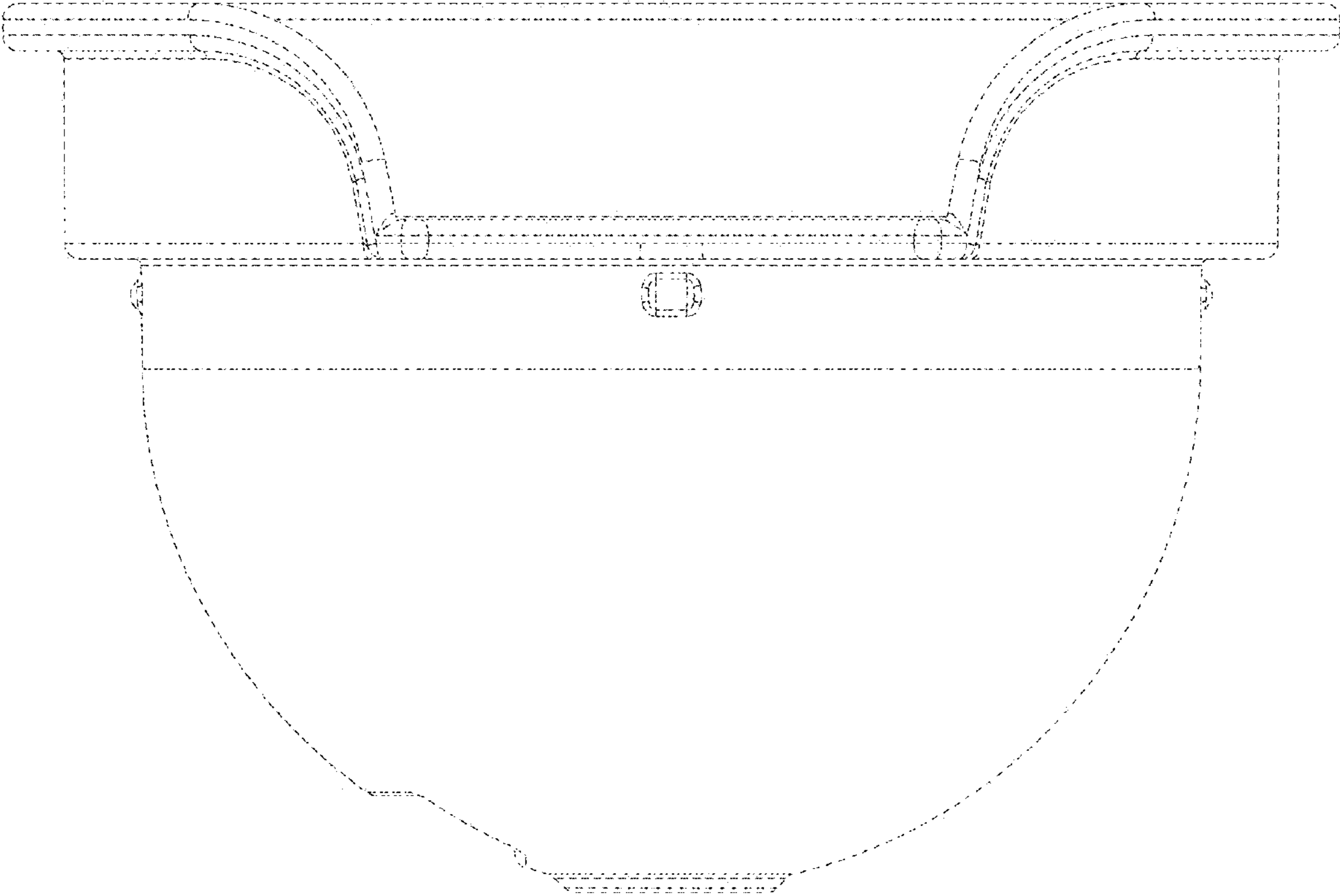


FIG. 5

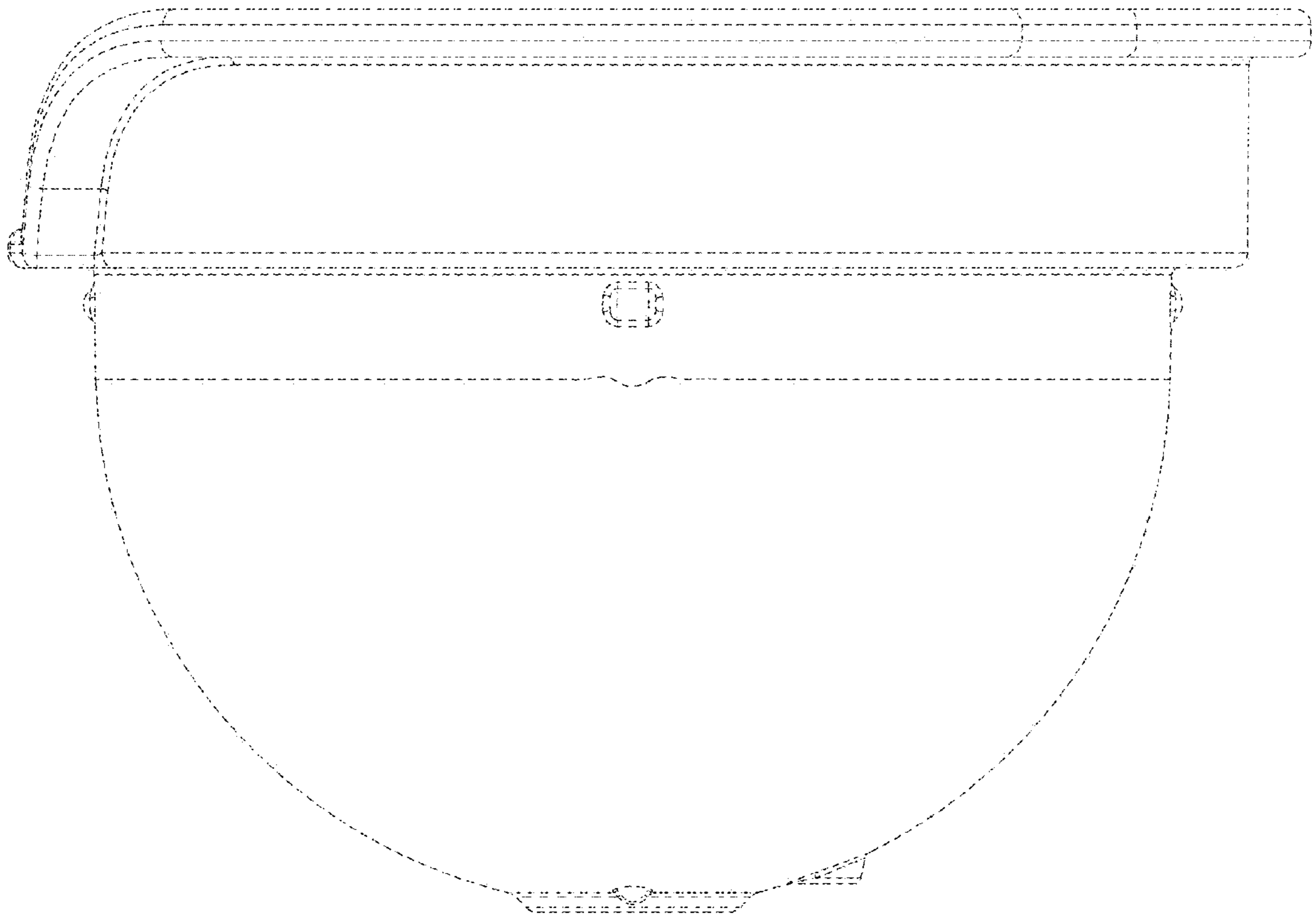


FIG. 6



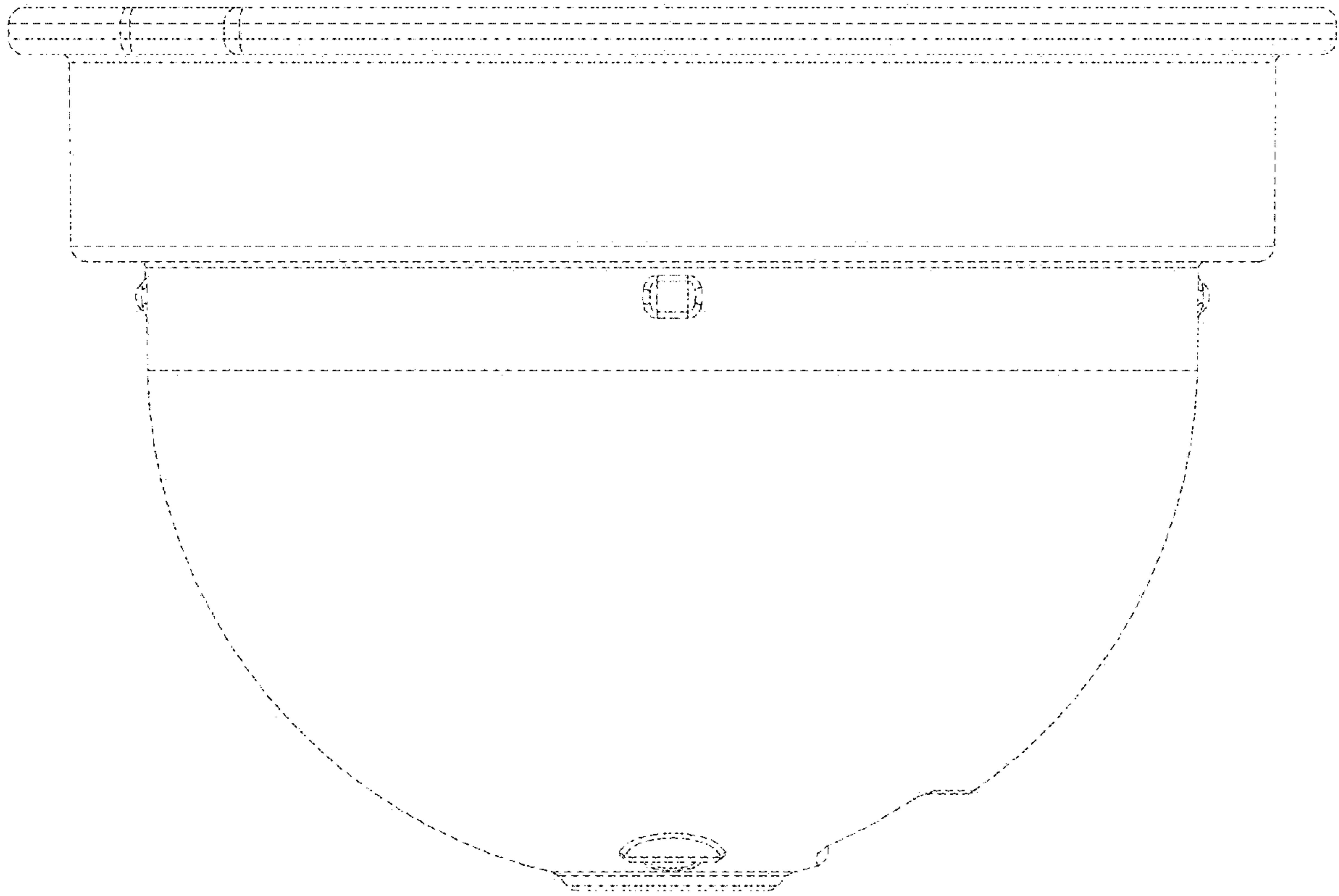


FIG. 7

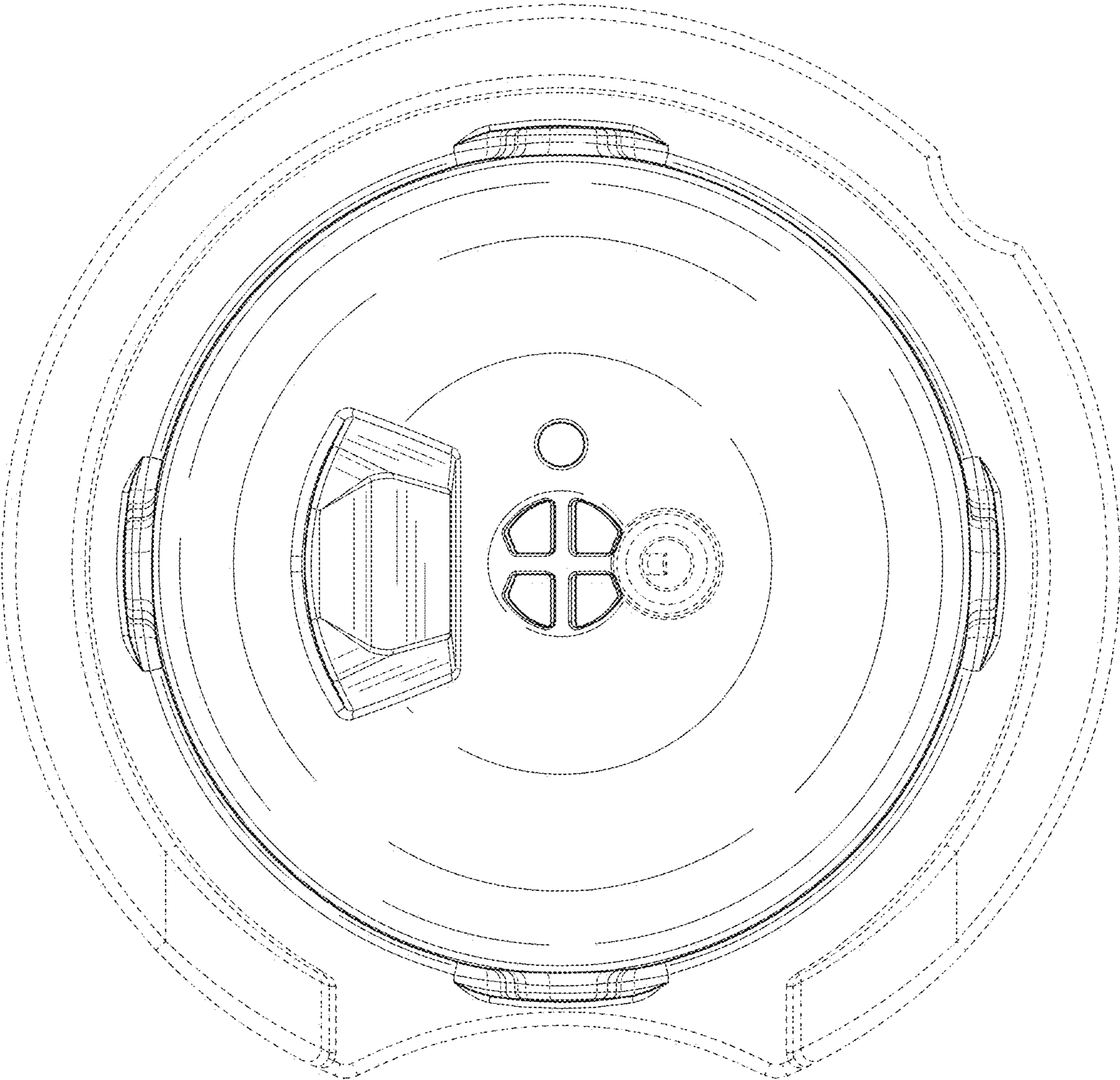


FIG. 8

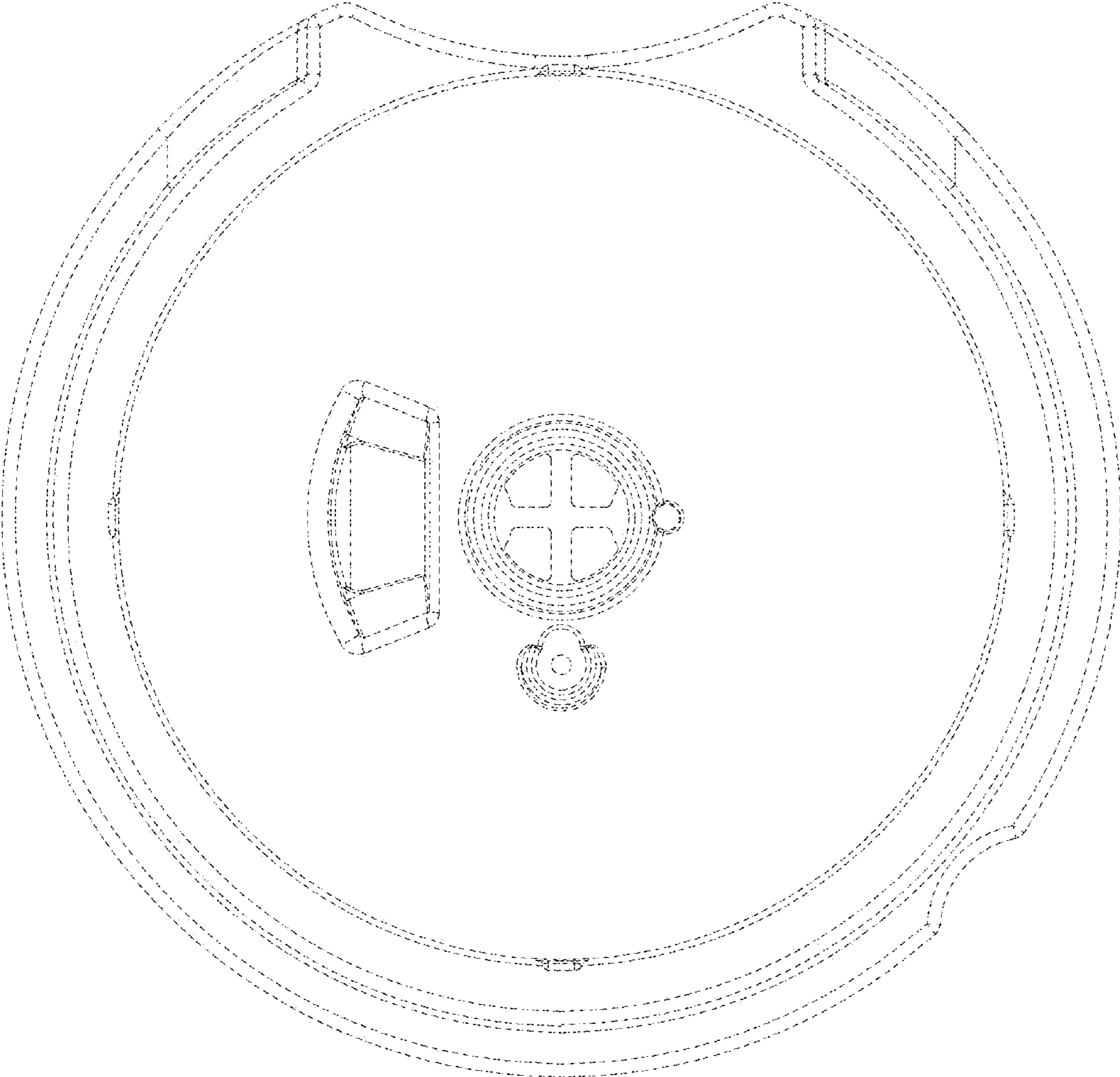


FIG. 9