



US00D953801S

(12) **United States Design Patent**
Ong et al.

(10) **Patent No.:** **US D953,801 S**
(45) **Date of Patent:** **** Jun. 7, 2022**

(54) **POUR OVER BREWING DEVICE**
(71) Applicant: **ESPRO, Inc.**, Vancouver (CA)
(72) Inventors: **Cary Ong**, Richmond (CA);
Christopher R. McLean, Vancouver
(CA); **Bruce A. Constantine**, North
Attleboro, MA (US); **Jordan Sciberras**,
Vancouver (CA)

2,738,722 A 3/1956 Schlumbohm
2,786,577 A 3/1957 Schlumbohm
2,897,970 A 8/1959 Schlumbohm
D203,854 S * 2/1966 Douglas D7/400
4,027,582 A 6/1977 O'Connell
D266,860 S * 11/1982 Nelson D21/717
4,417,504 A 11/1983 Yamamoto
4,560,475 A 12/1985 Kataoka
4,577,080 A 3/1986 Grossman
4,999,470 A 3/1991 Fuchs, Jr.
(Continued)

(73) Assignee: **Espro, Inc.**, Vancouver (CA)

(**) Term: **15 Years**

(21) Appl. No.: **29/702,441**

(22) Filed: **Aug. 19, 2019**

(51) **LOC (13) Cl.** **07-02**

(52) **U.S. Cl.**
USPC **D7/399; D7/400**

(58) **Field of Classification Search**
USPC D7/300, 387, 397, 399, 400, 401, 500,
D7/533, 536, 590, 600.1, 600.2, 600.4,
D7/601, 602, 619.1, 667, 704, 700;
D6/677, 677.5, 680, 682; D9/416, 424,
D9/425, 427-429, 438, 443, 454, 500,
D9/516, 520; D15/150; D23/200;
D24/122

CPC .. A47J 31/00; A47J 31/02; A47J 31/06; A47J
31/0605; A47J 31/061; A47J 31/0636;
A47J 31/0642; A47J 31/0663; A47J
31/0668; A47J 31/0689; A47J 31/08;
A47J 31/20; A47J 31/44; A47J
2031/0694; A47J 31/0626; B65D
85/8043; B65D 85/8046

See application file for complete search history.

(56) **References Cited**

U.S. PATENT DOCUMENTS

2,241,368 A 5/1941 Schlumbohm
2,681,154 A 6/1954 Schlumbohm
2,693,883 A 11/1954 Schlumbohm

OTHER PUBLICATIONS

Design No. 3007728830000, Nov. 20, 2014—Korean Intellectual
Property Office (KIPO) Publication Date—Nov. 27, 2014 Owner—X
Factory Co Ltd, Designer—Kim Chul Woo WIPO, available at
<https://www3.wipo.int/designdb/en/index.jsp> (Year: 2014).*

(Continued)

Primary Examiner — Mary Ann Calabrese
Assistant Examiner — Natalya M Rapundalo
(74) *Attorney, Agent, or Firm* — Winthrop & Weinstine,
P.A.

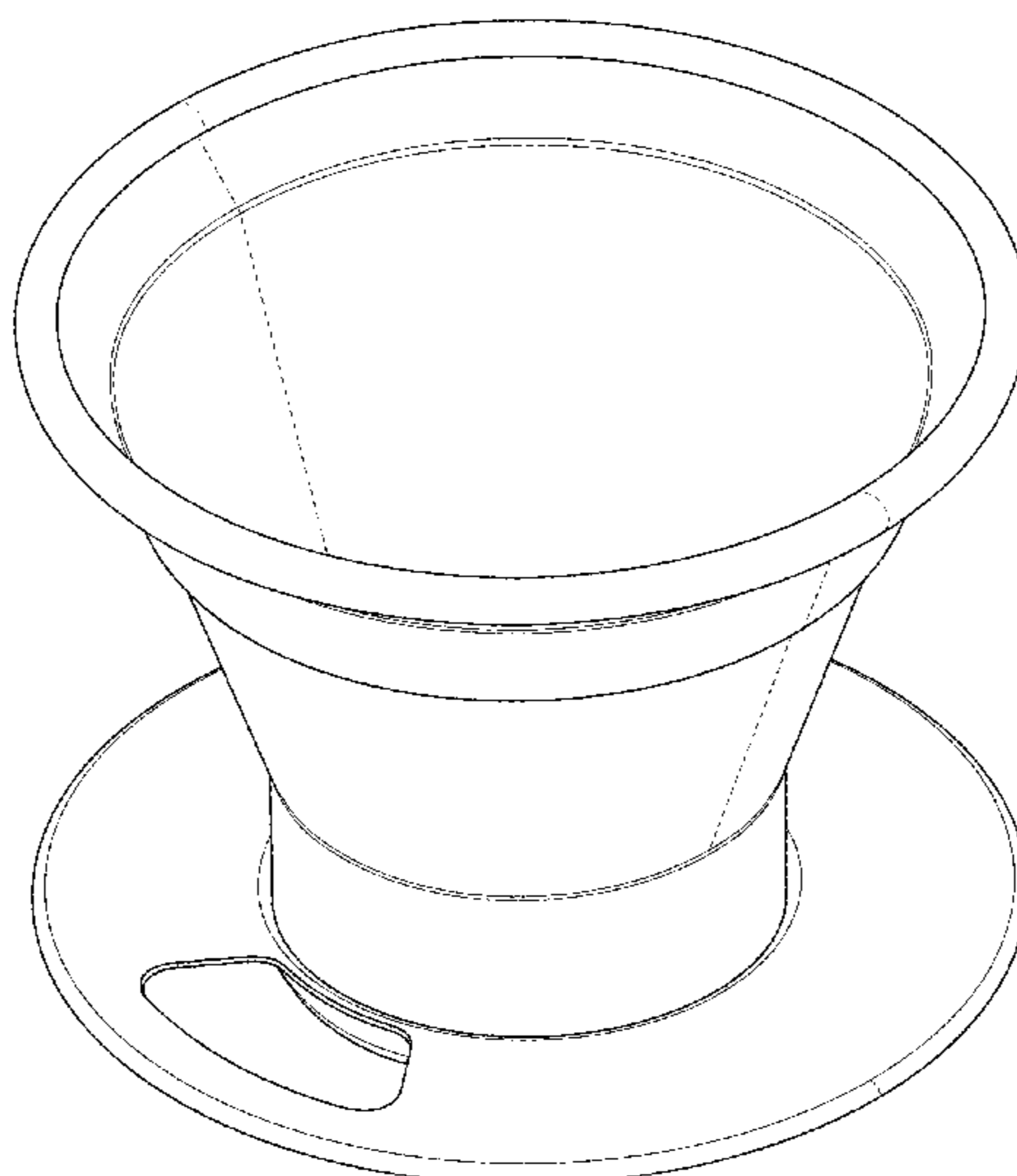
(57) **CLAIM**

The ornamental design for a pour over brewing device, as
shown and described.

DESCRIPTION

FIG. 1 is a front view of the pour over brewing device in
accordance with the present disclosure;
FIG. 2 is a left side view thereof;
FIG. 3 is a right side view thereof;
FIG. 4 is a rear view thereof;
FIG. 5 is a top view thereof;
FIG. 6 is a bottom view thereof; and,
FIG. 7 is a top, isometric view thereof.
The broken lines in the drawings represent portions of the
pour over brewing device and form no part of the claimed
design.

1 Claim, 7 Drawing Sheets



(56)

References Cited

U.S. PATENT DOCUMENTS

5,064,980 A 11/1991 Grossman et al.
 5,243,164 A 9/1993 Erickson et al.
 5,545,879 A 8/1996 Brotz
 D521,329 S * 5/2006 Bodum D7/400
 D533,641 S * 12/2006 Singtoroj D23/249
 D571,163 S * 6/2008 Gillan D7/602
 D580,696 S 11/2008 Bodum
 7,856,922 B2 12/2010 Tjen
 7,926,414 B1 4/2011 Wolcott et al.
 8,051,767 B2 11/2011 Gerber
 8,217,663 B2 3/2012 Nottingham et al.
 D690,992 S 10/2013 Ball
 D717,110 S * 11/2014 De Leo D7/400
 D717,123 S * 11/2014 Epstein A47J 31/0626
 D760,537 S 7/2016 Hertaus
 D764,865 S 8/2016 Hertaus
 D764,866 S 8/2016 Hertaus
 9,526,368 B2 12/2016 Sacks
 D780,510 S 3/2017 Bornt
 D790,915 S 7/2017 Yeh
 D791,535 S 7/2017 Yeh
 D803,620 S 11/2017 Yeh
 9,861,225 B1 1/2018 Sachs
 D809,338 S 2/2018 Mikami
 D812,433 S * 3/2018 Kwok D7/553.4
 9,949,591 B2 4/2018 Beilock et al.
 D817,089 S 5/2018 Gross et al.
 10,016,088 B2 7/2018 Gross et al.
 D828,089 S 9/2018 Schueler et al.
 D841,395 S 2/2019 Adams, Jr. et al.
 10,264,909 B2 4/2019 Hertaus
 D847,564 S 5/2019 Best
 10,278,534 B2 5/2019 Miller
 D852,567 S 7/2019 Chen
 D873,608 S * 1/2020 de Martrin-Donos D7/400
 D883,045 S * 5/2020 Fudge D7/700
 D911,105 S * 2/2021 Park D7/400
 D915,135 S * 4/2021 Lin A47J 31/0626
 D928,559 S * 8/2021 Grassy D7/400
 D937,626 S * 12/2021 Ong D7/400
 2004/0083897 A1 5/2004 Park

2009/0178572 A1* 7/2009 Wolcott A47J 31/0626
 99/323
 2011/0303094 A1 12/2011 Lown
 2017/0181565 A1 1/2017 Nam
 2017/0360251 A1 12/2017 Miller
 2018/0064283 A1* 3/2018 Hertaus A47J 31/0626
 2018/0116441 A1 5/2018 Kuempel et al.
 2018/0249857 A1 9/2018 Weng
 2019/0191914 A1* 6/2019 Schillheim A47J 31/02
 2021/0212499 A1* 7/2021 DallAglio A47J 31/0663

OTHER PUBLICATIONS

ESPRO Bloom Pour Over Coffee Brewer, first available Aug. 1, 2020, Amazon, [online], [site visited Apr. 7, 2021], Available from internet URL: <https://www.amazon.com/ESPRO-BLOOM-Pour-Over-Stainless/dp/B011WU31KW> (Year: 2020).
 Design No. 007699392-0001, Feb. 18, 2020—European Union Intellectual Property Office (EUIPO) Publication Date—Feb. 20, 2020 Owner—ESPRO, Inc., Designer—Christopher R. McLean et al. DesignView, available at www.tmdn.org/tmdsview-web/welcome (Year: 2020).
 Design No. D1670684, Oct. 2, 2020—Japan Intellectual Property Office (JIPO) Publication Date—Oct. 19, 2020 Owner—ESPRO, Inc., Designer—Christopher R. McLean et al. WIPO, available at <https://www3.wipo.int/designdb/en/index.jsp> (Year: 2020).
 Bloom Pour Over Brewer, ESPRO, [online], [site visited Apr. 7, 2021], Available from internet URL: <https://www.espro.com/catalog/pour-over> (Year: 2021).
 Design No. 306295539, Jan. 26, 2021—China National Intellectual Property Administration (CNIPA) Publication Date—Jan. 26, 2021 Owner—Suzhou LvXiao and His Friends Coffee Trade Co Ltd—Lv Xiao WIPO, available at <https://www3.wipo.int/designdb/en/index.jsp> (Year: 2021).
 December coffee dripper kickstarter article dated Aug. 6, 2018.
 December coffee dripper product summary and image (second page) from Prima Coffee.
 Online Article, Jan. 2020 “The best pour over coffee makers” (from <https://theprincela.com/best-pour-over-coffee-maker>).
 Description of Chemex coffee maker (www.wikipedia.com) printed Jul. 8, 2019.

* cited by examiner

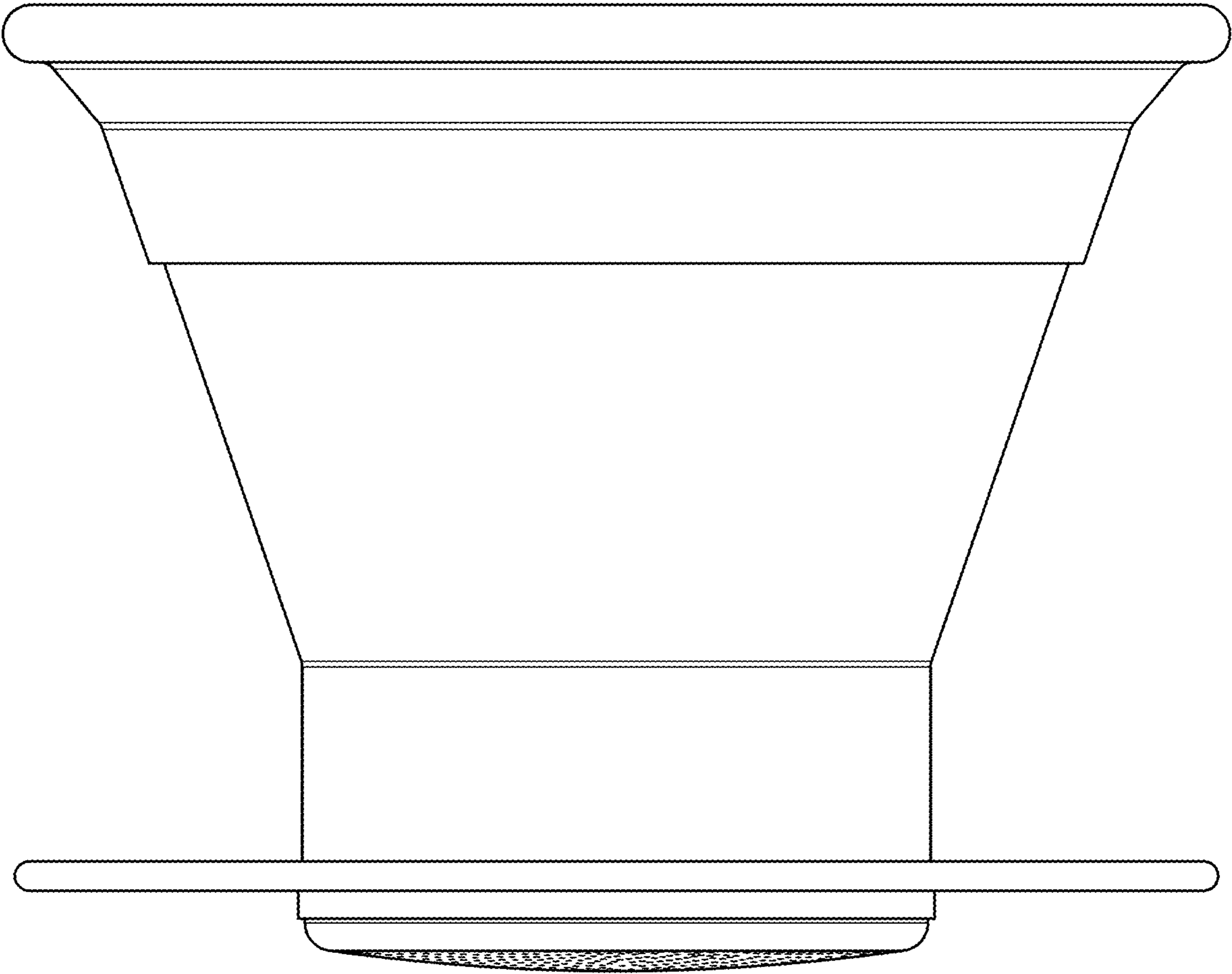


FIG. 1

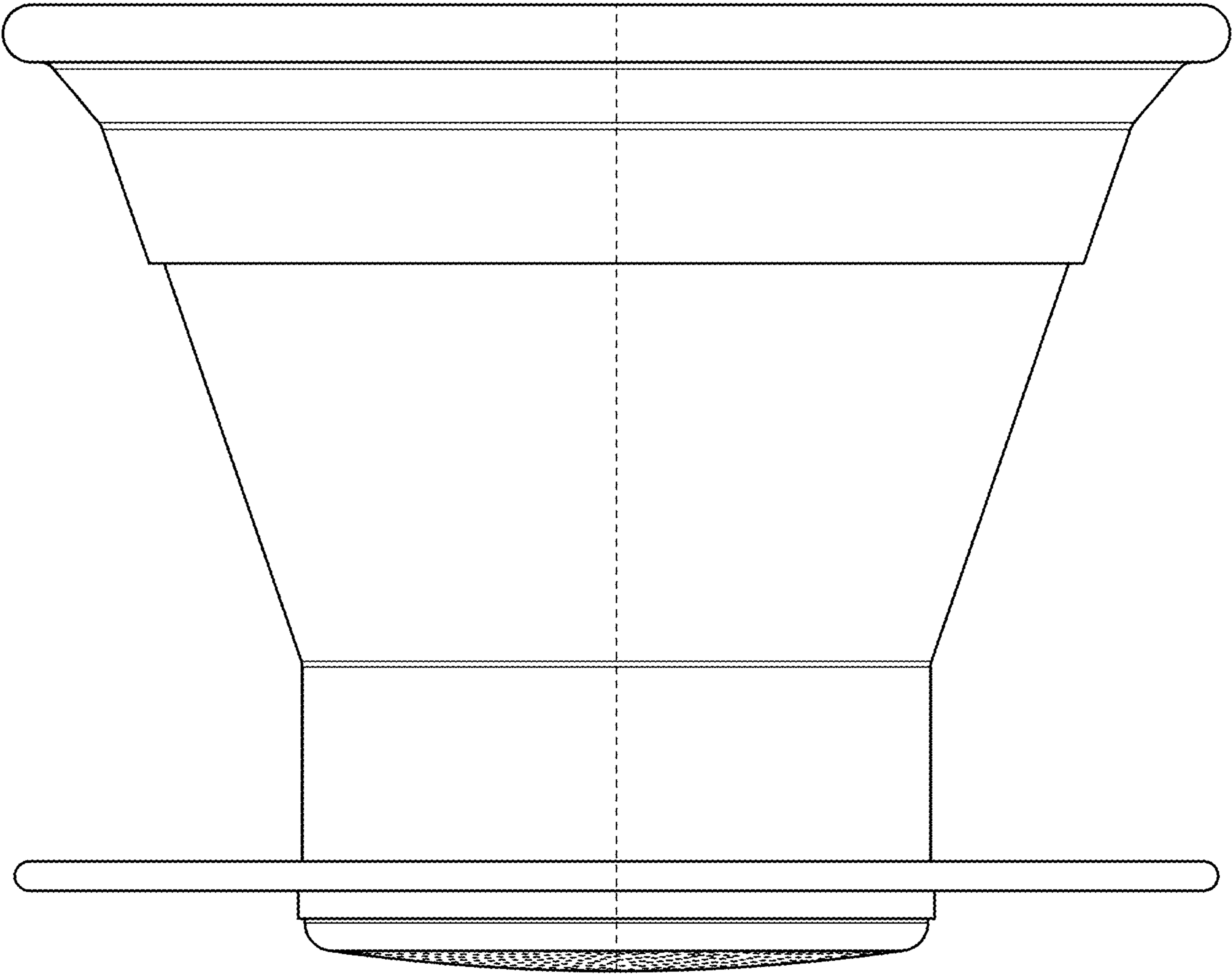


FIG. 2

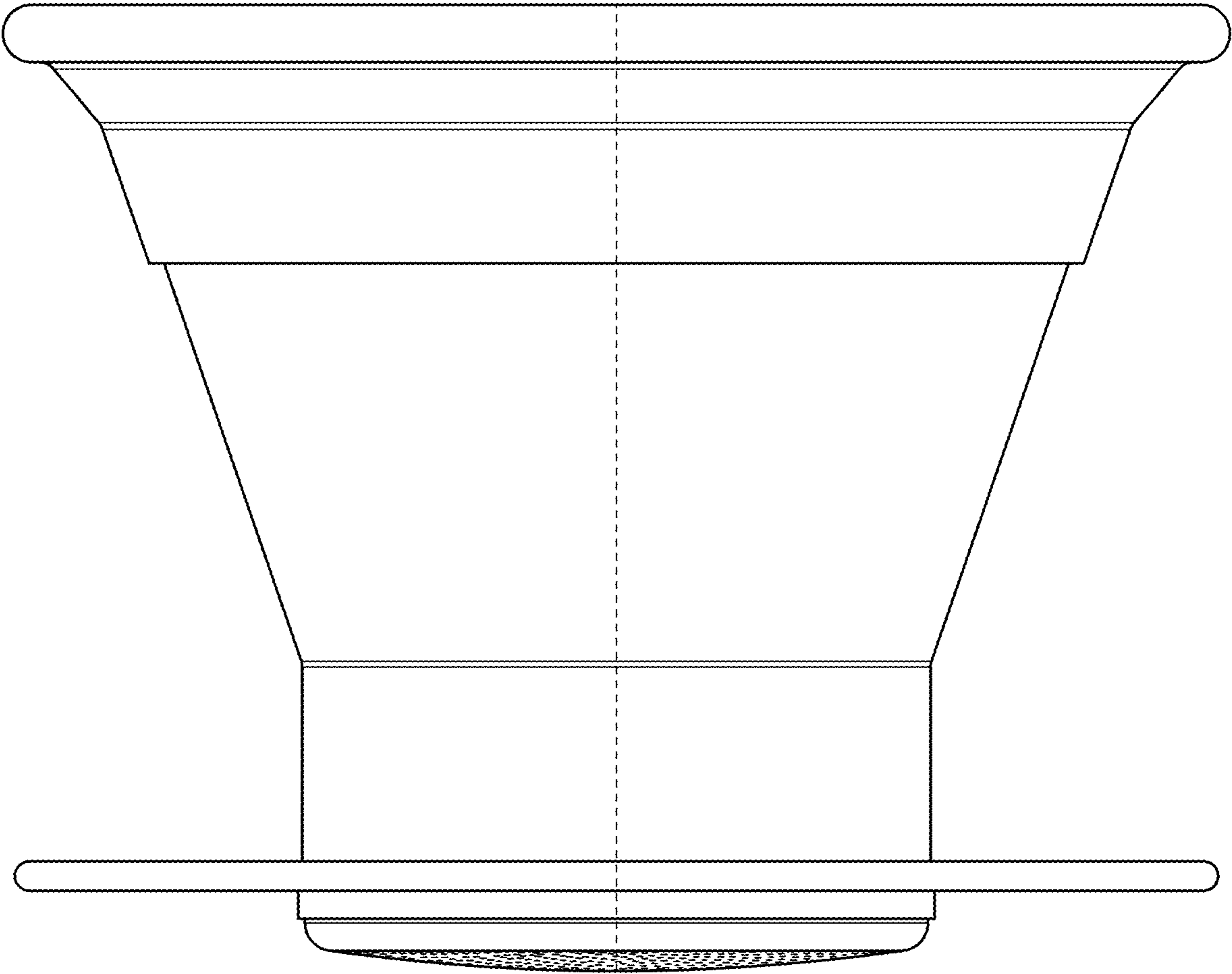


FIG. 3

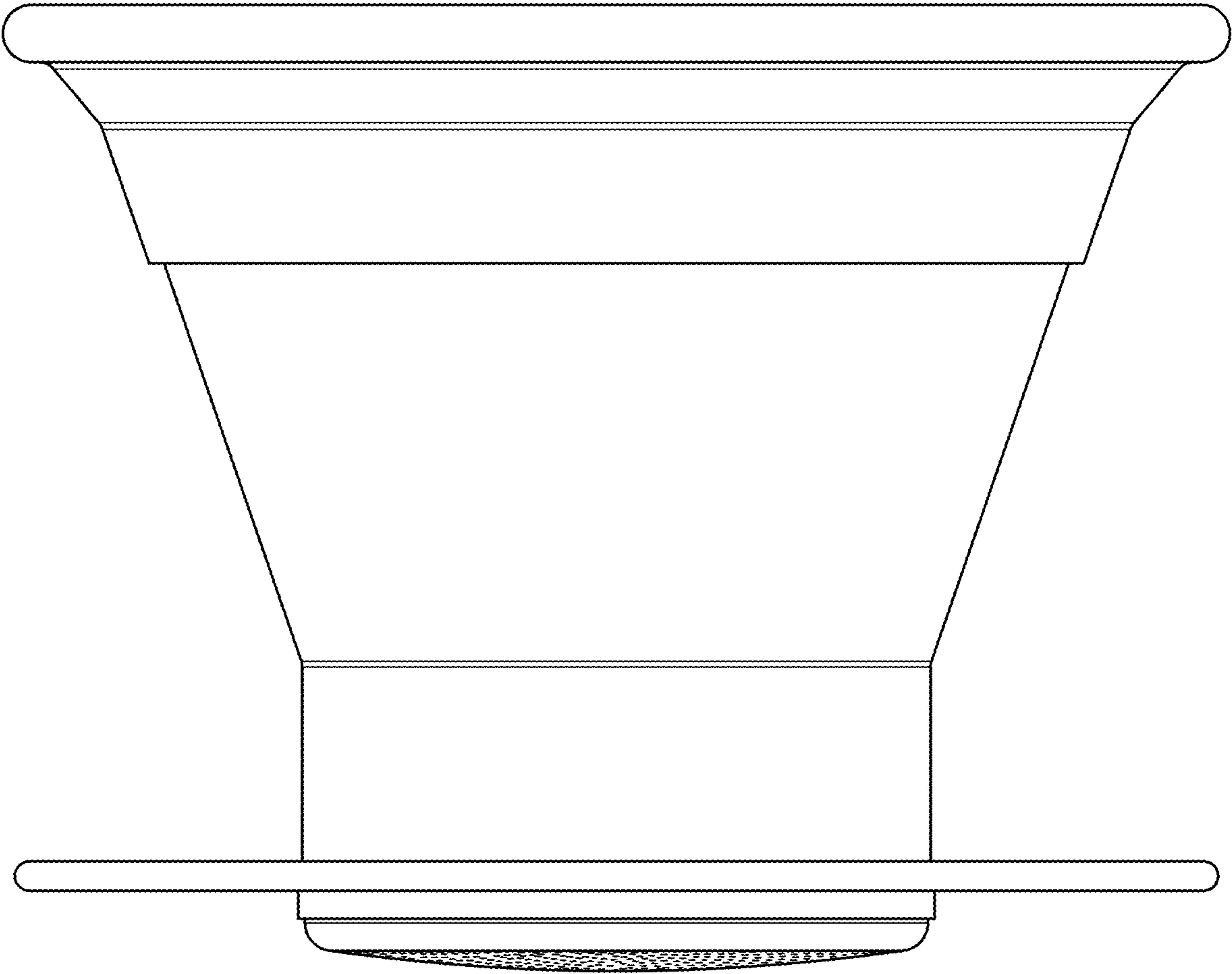


FIG. 4

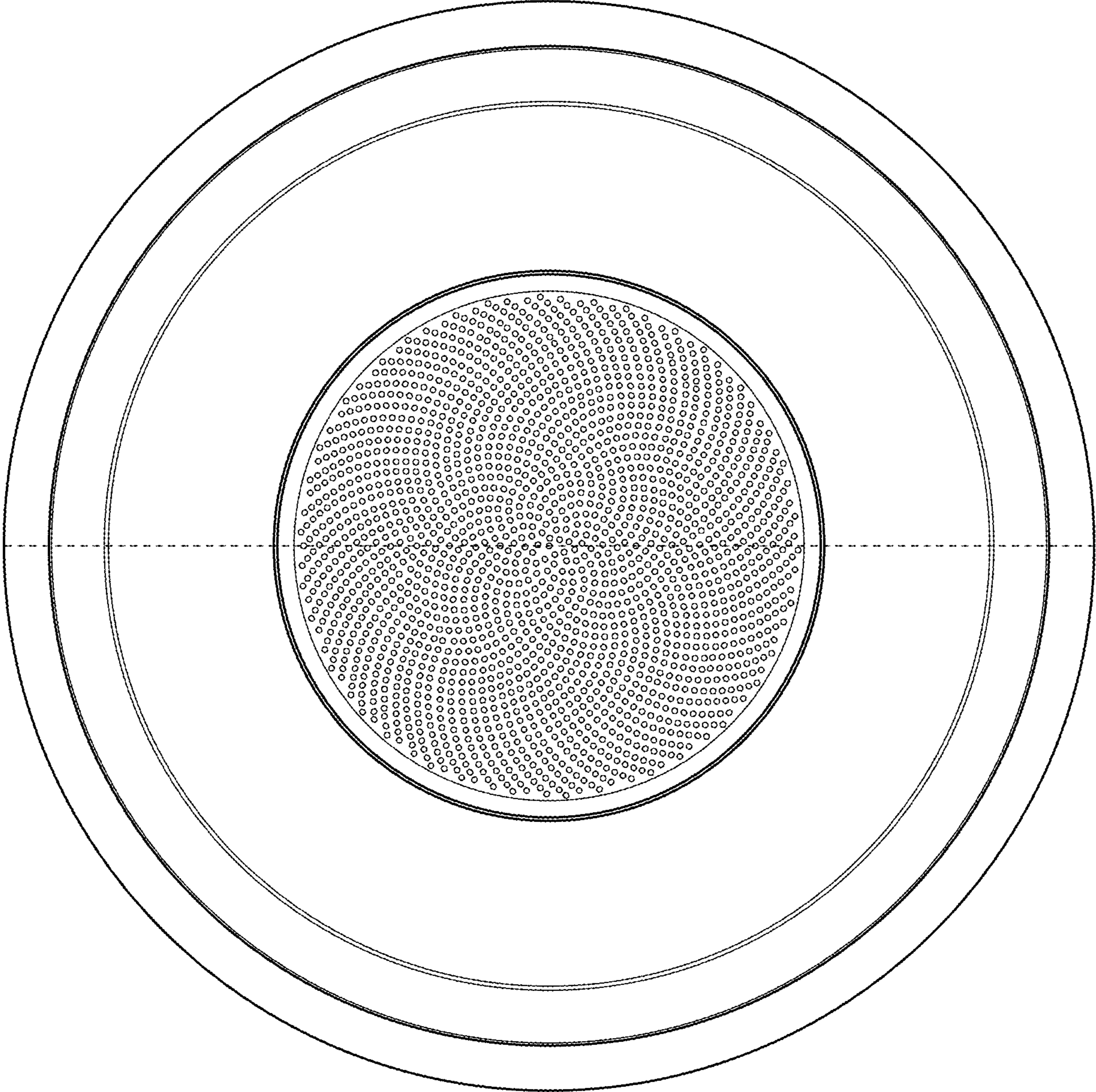


FIG. 5

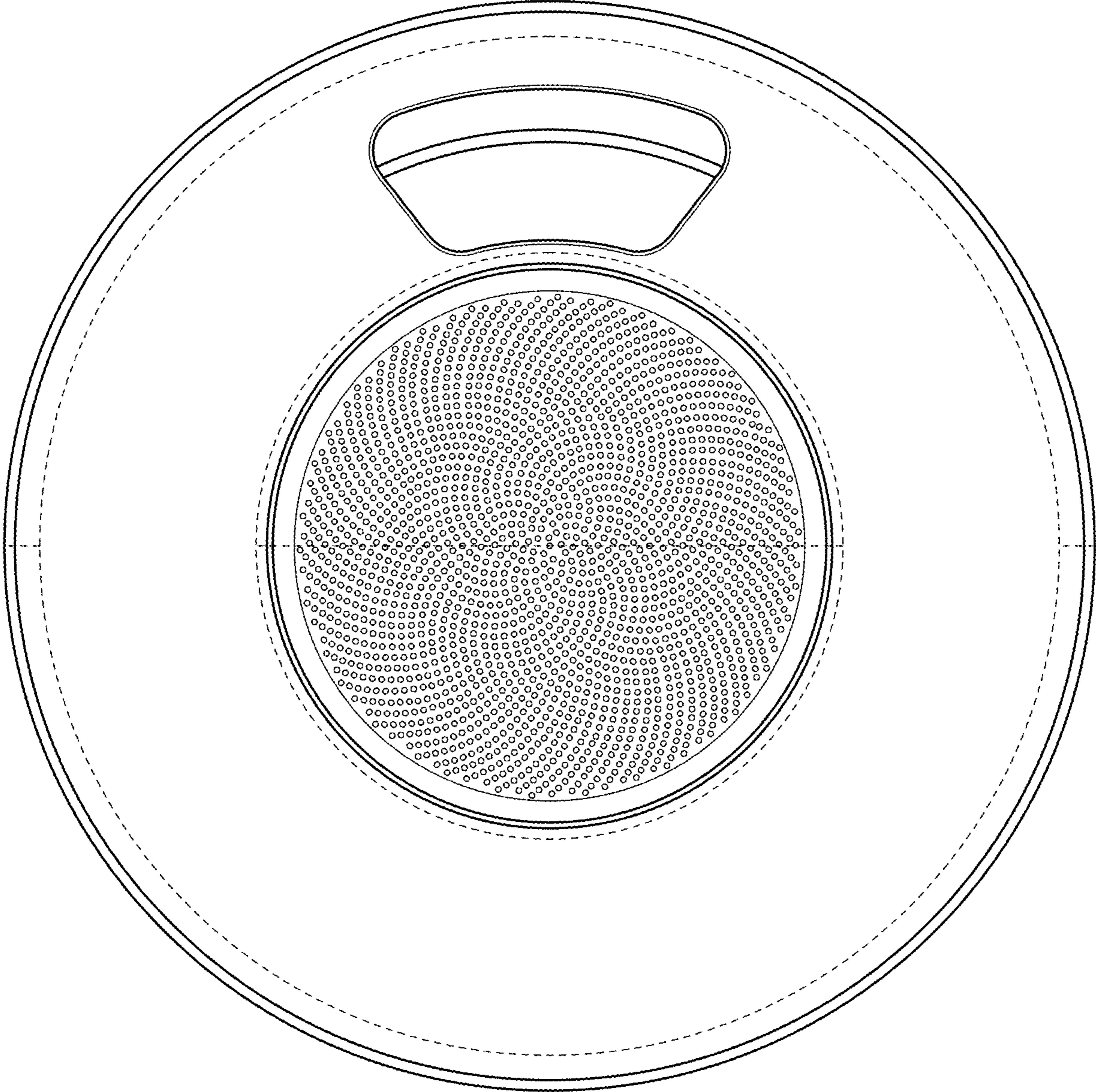


FIG. 6

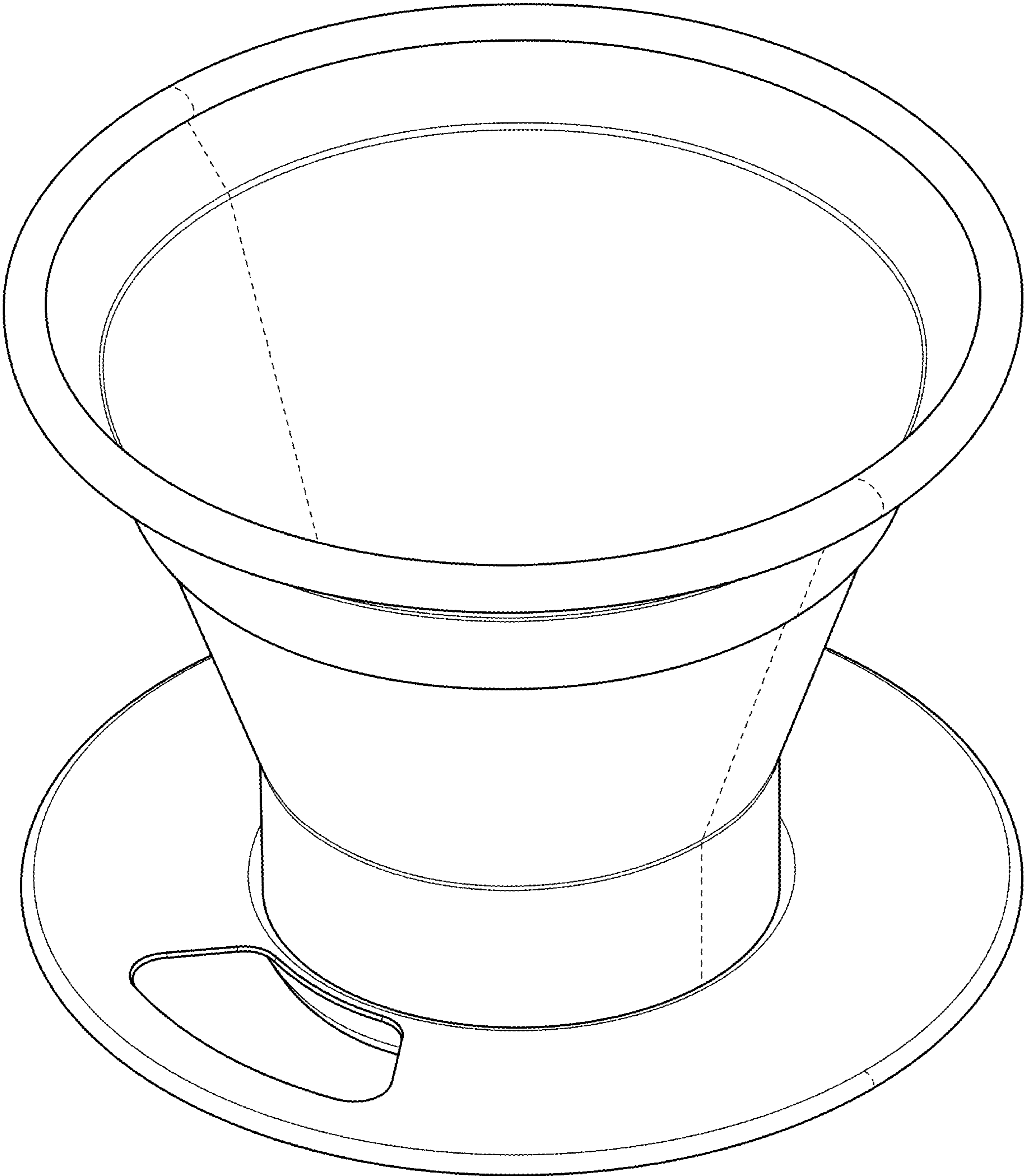


FIG. 7