



US00D953800S

(12) **United States Design Patent** (10) **Patent No.:** **US D953,800 S**
Seo et al. (45) **Date of Patent:** **** Jun. 7, 2022**

(54) **BASE UNIT FOR ELECTRIC KETTLE**

(56) **References Cited**

(71) Applicant: **LG ELECTRONICS INC.**, Seoul (KR)

U.S. PATENT DOCUMENTS

(72) Inventors: **Woonkyu Seo**, Seoul (KR); **Miyoung Kim**, Seoul (KR); **Hyun Choi**, Seoul (KR); **Hyeonjeong An**, Seoul (KR)

D650,669 S * 12/2011 Dunwoody D9/435
D683,182 S * 5/2013 de Klein D7/399
D686,878 S * 7/2013 Grasselli D7/399
(Continued)

(73) Assignee: **LG ELECTRONICS INC.**, Seoul (KR)

OTHER PUBLICATIONS

(**) Term: **15 Years**

Bodum Bistro Electric Water Kettle, first available Sep. 13, 2012, Amazon, [online], [site visited Sep. 30, 2021], Available from internet URL: <https://www.amazon.com/Bodum-Bistro-Electric-Water-Kettle/dp/B00851LRR6?th=1> (Year: 2012).*

(21) Appl. No.: **29/726,005**

(Continued)

(22) Filed: **Feb. 28, 2020**

Primary Examiner — Mary Ann Calabrese

Assistant Examiner — Natalya M Rapundalo

(30) **Foreign Application Priority Data**

(74) *Attorney, Agent, or Firm* — Birch, Stewart, Kolasch & Birch, LLP

Feb. 21, 2020 (KR) 30-2020-0007881

(51) **LOC (13) Cl.** **07-02**

(57) **CLAIM**

(52) **U.S. Cl.**
USPC **D7/397**

The ornamental design for a base unit for electric kettle, as shown and described.

(58) **Field of Classification Search**

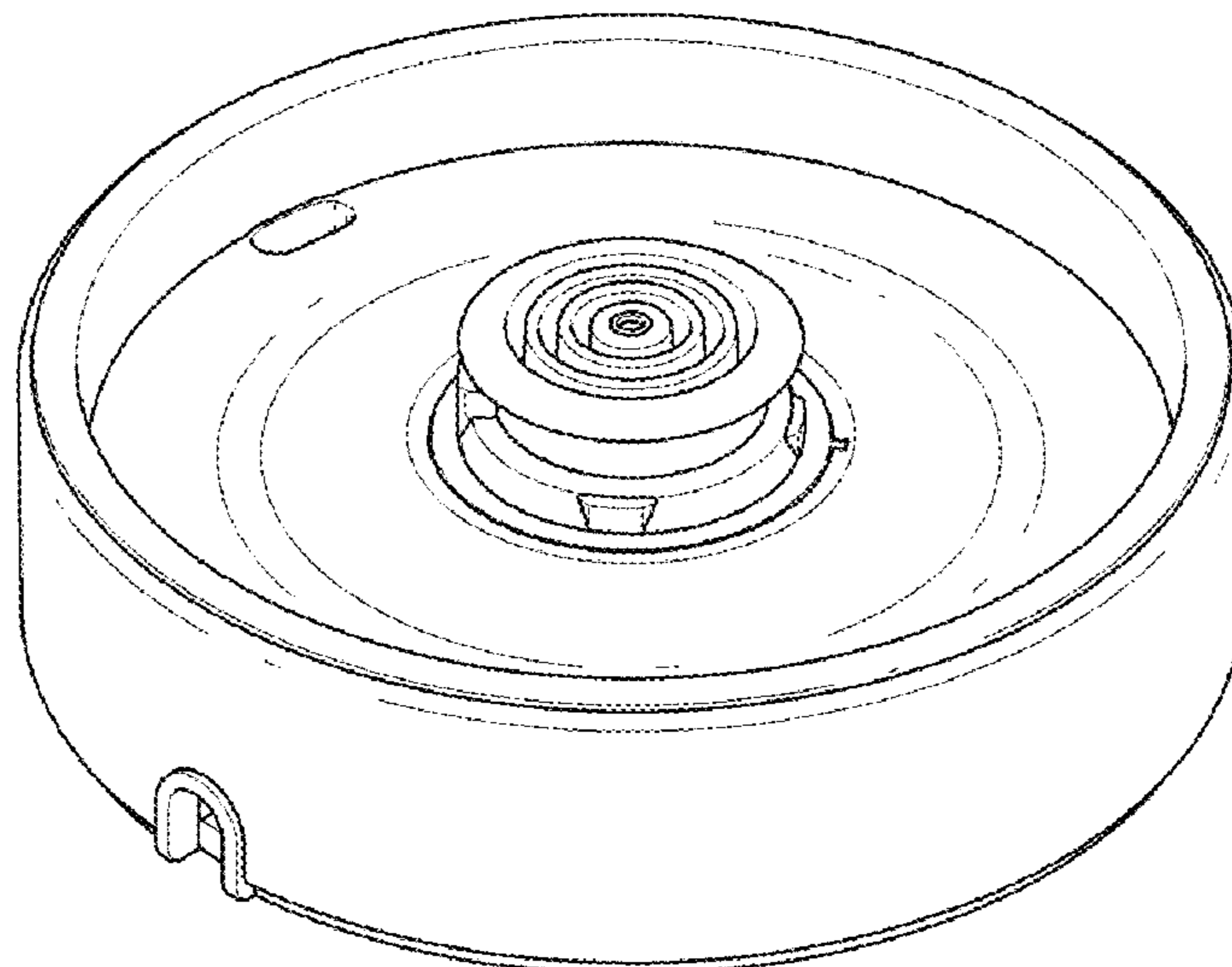
DESCRIPTION

USPC D7/300, 301–323, 354, 360, 361, 386, D7/387, 393–396.2, 397–400, 402, 509, D7/514, 533–536, 683, 688, 691; D8/300, 307; D9/431, 434–436, 504, D9/644–646, 648, 655, 656, 658; D21/523–525; 99/275; 222/129.1
CPC B67D 1/00; B67D 1/003; B67D 1/004; B67D 1/009; B67D 1/0015; B67D 1/0016; B67D 1/0021; B67D 1/0041; B67D 1/0042; B67D 1/0043; B67D 1/06; A47G 19/14; A47G 19/22; A47G 19/2205; A47G 19/2266; A47G 19/2272; A47J 27/21; A47J 27/21008; A47J 27/2105; A47J 27/21091; A47J 27/21166; A47J 27/21175; A47J 31/00; A47J 31/007; A47J 31/46

FIG. 1 is a front, right side, perspective view of a base unit for electric kettle showing our new design;
FIG. 2 is a front view thereof;
FIG. 3 is a rear view thereof;
FIG. 4 is a left side view thereof;
FIG. 5 is a right side view thereof;
FIG. 6 is a top view thereof;
FIG. 7 is a bottom view thereof; and,
FIG. 8 is a front, right side perspective view showing the claimed design in an environment of use.
The broken lines in FIG. 7 indicate portions of the article that form no part of the claimed design. The broken lines in FIG. 8 depict environment that forms no part of the claimed design.

See application file for complete search history.

1 Claim, 8 Drawing Sheets



(56)

References Cited

U.S. PATENT DOCUMENTS

D760,022 S * 6/2016 Garvey D7/399
D814,849 S * 4/2018 Lee D7/367
D815,873 S * 4/2018 Ho D7/319
D824,723 S * 8/2018 Averty A47J 36/10
D7/396.6
2005/0229788 A1 * 10/2005 White A47J 36/10
99/323
2020/0085228 A1 * 3/2020 Williamson A47G 19/16
2020/0297144 A1 * 9/2020 Ahn A47J 27/21166

OTHER PUBLICATIONS

Design No. 254094-0001, May 27, 2013—Intellectual Property India Publication Date—Apr. 11, 2014 Owner—Strix Limited a British company WIPO, available at <https://www3.wipo.int/designdb/en/index.jsp> (Year: 2014).*

Design No. 305874866, Jun. 26, 2020—China National Intellectual Property Administration Publication Date—Jun. 26, 2020 Owner—Foshan Huamiao Electric Appliance Co Ltd, Designer—Yu Guihua WIPO, available at <https://www3.wipo.int/designdb/en/index.jsp> (Year: 2020).*

* cited by examiner

FIG. 1

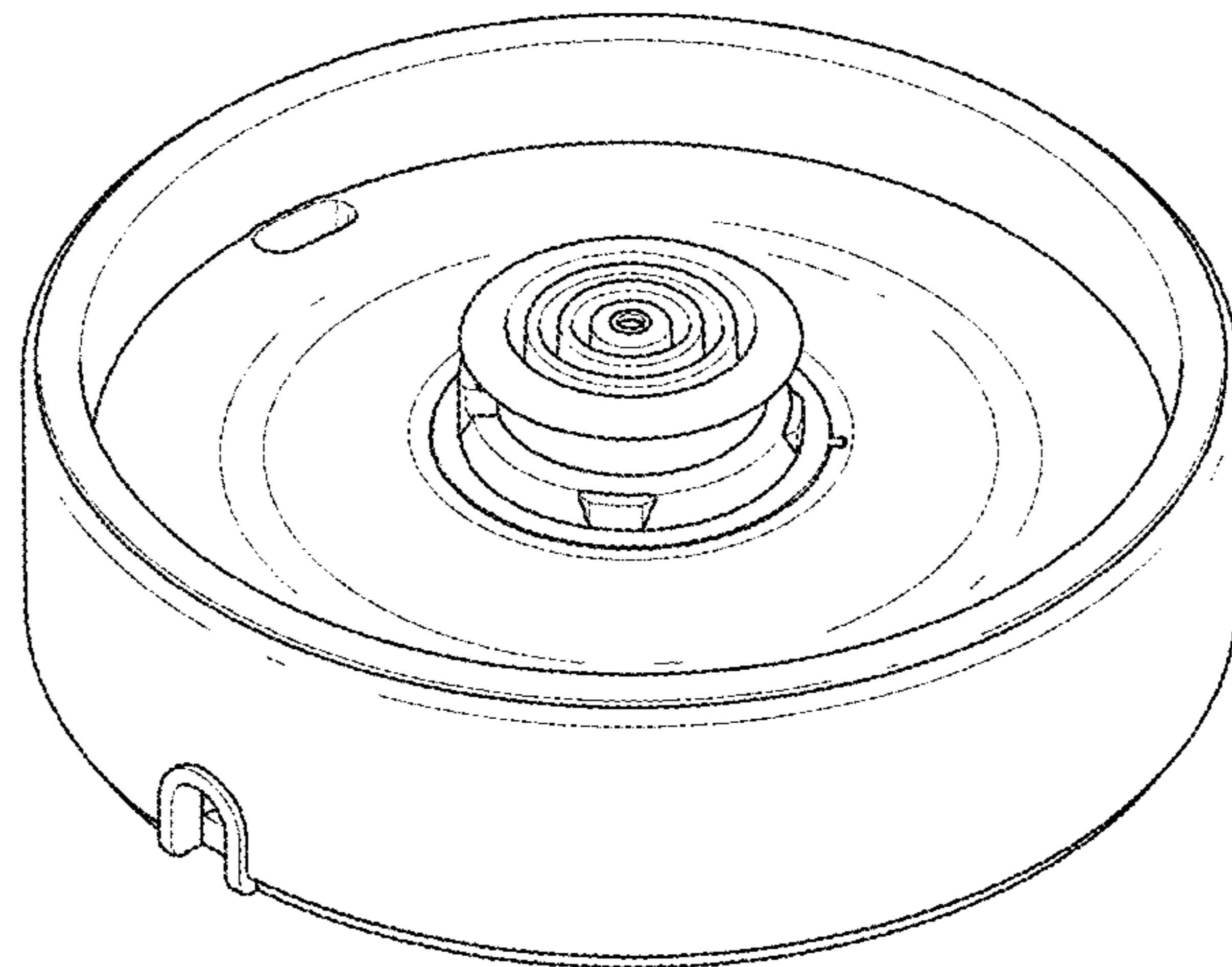


FIG. 2

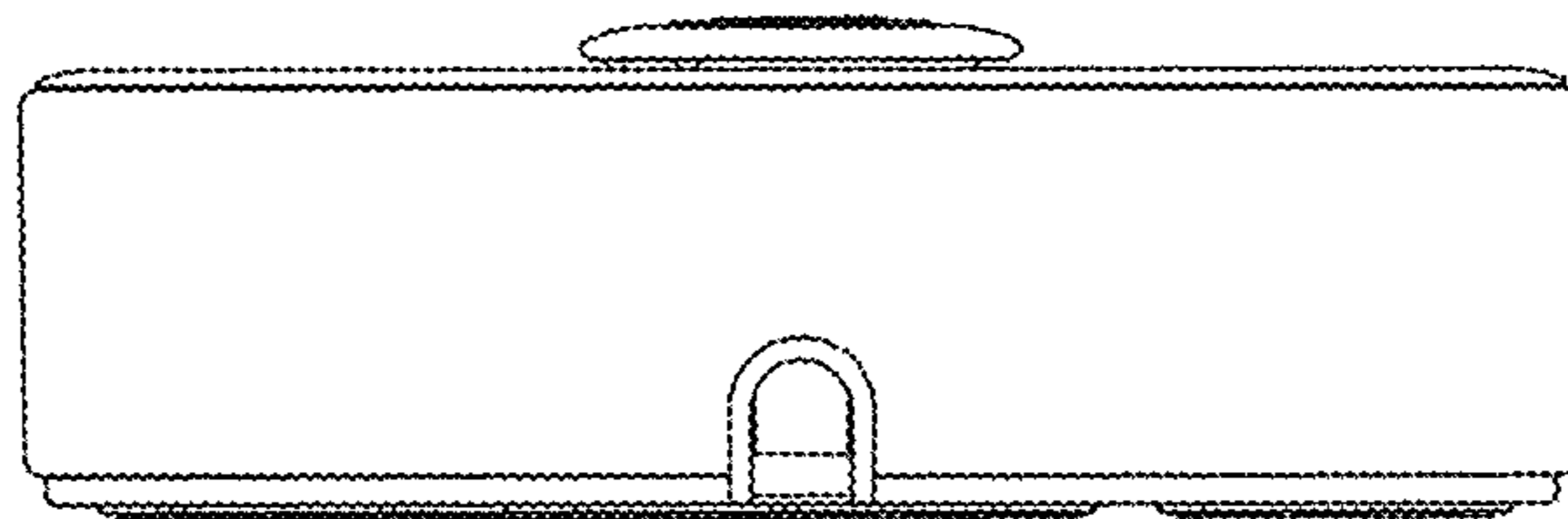


FIG. 3

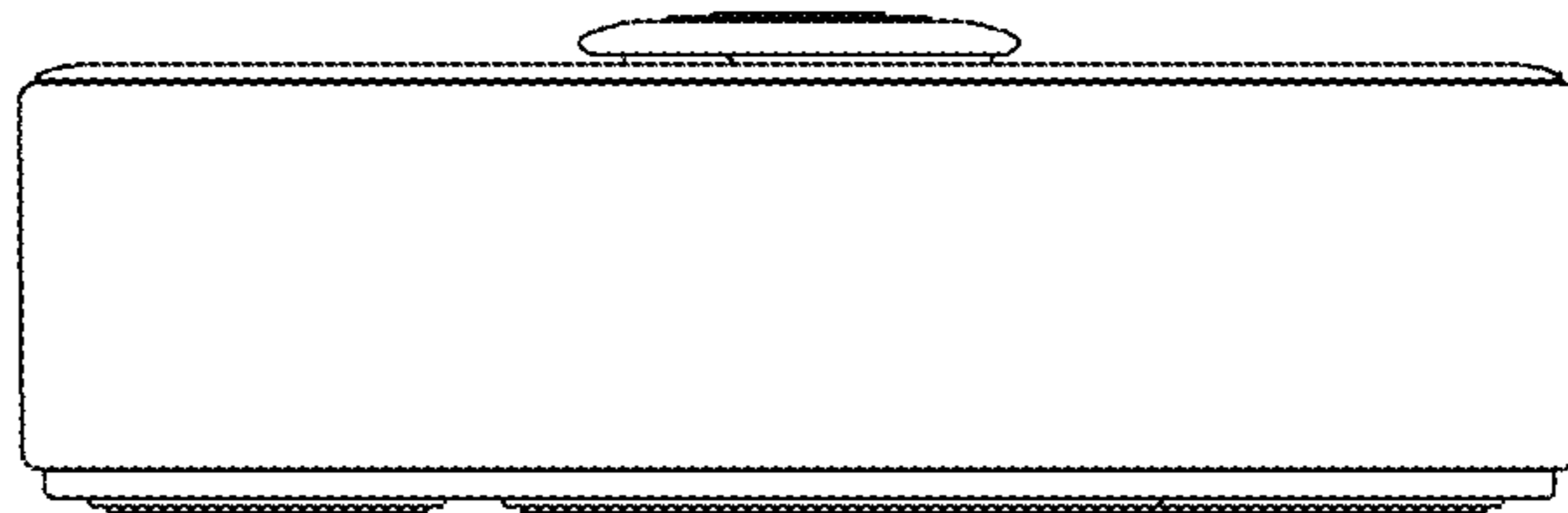


FIG. 4

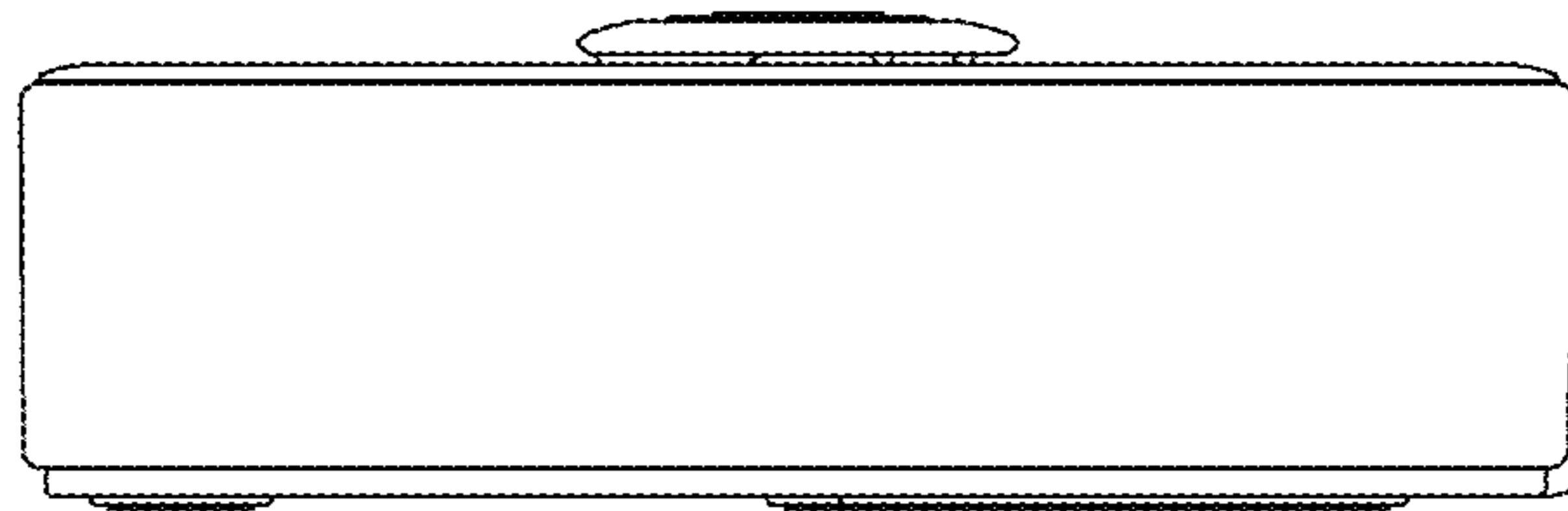


FIG. 5

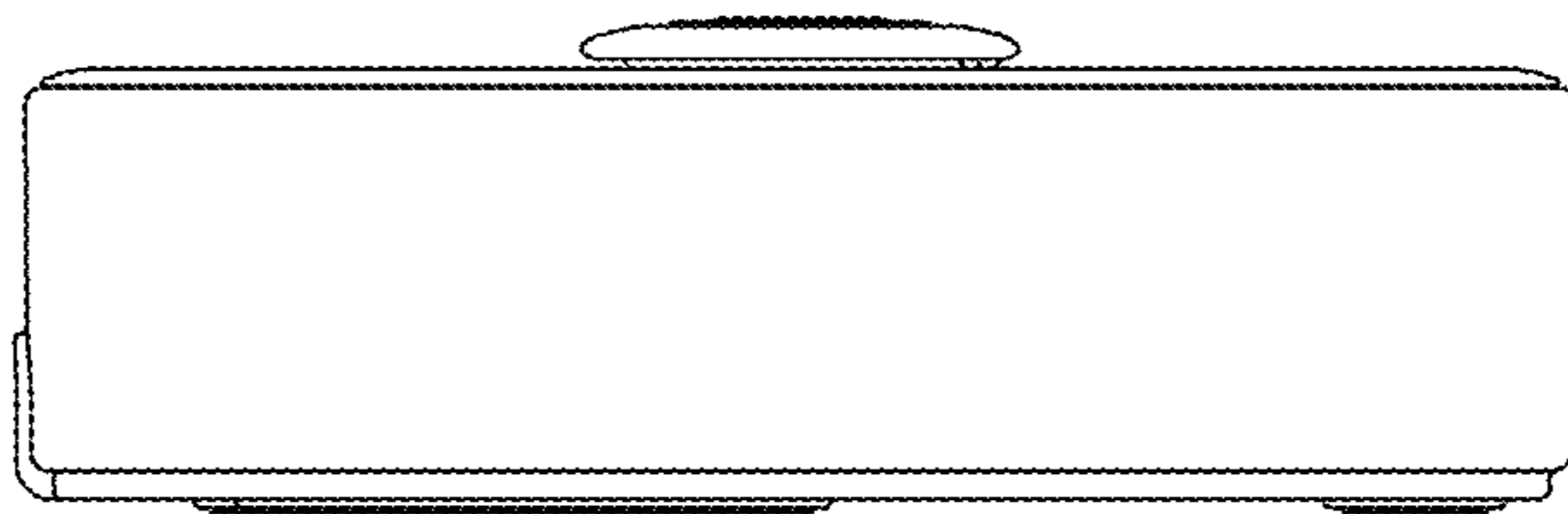


FIG. 6

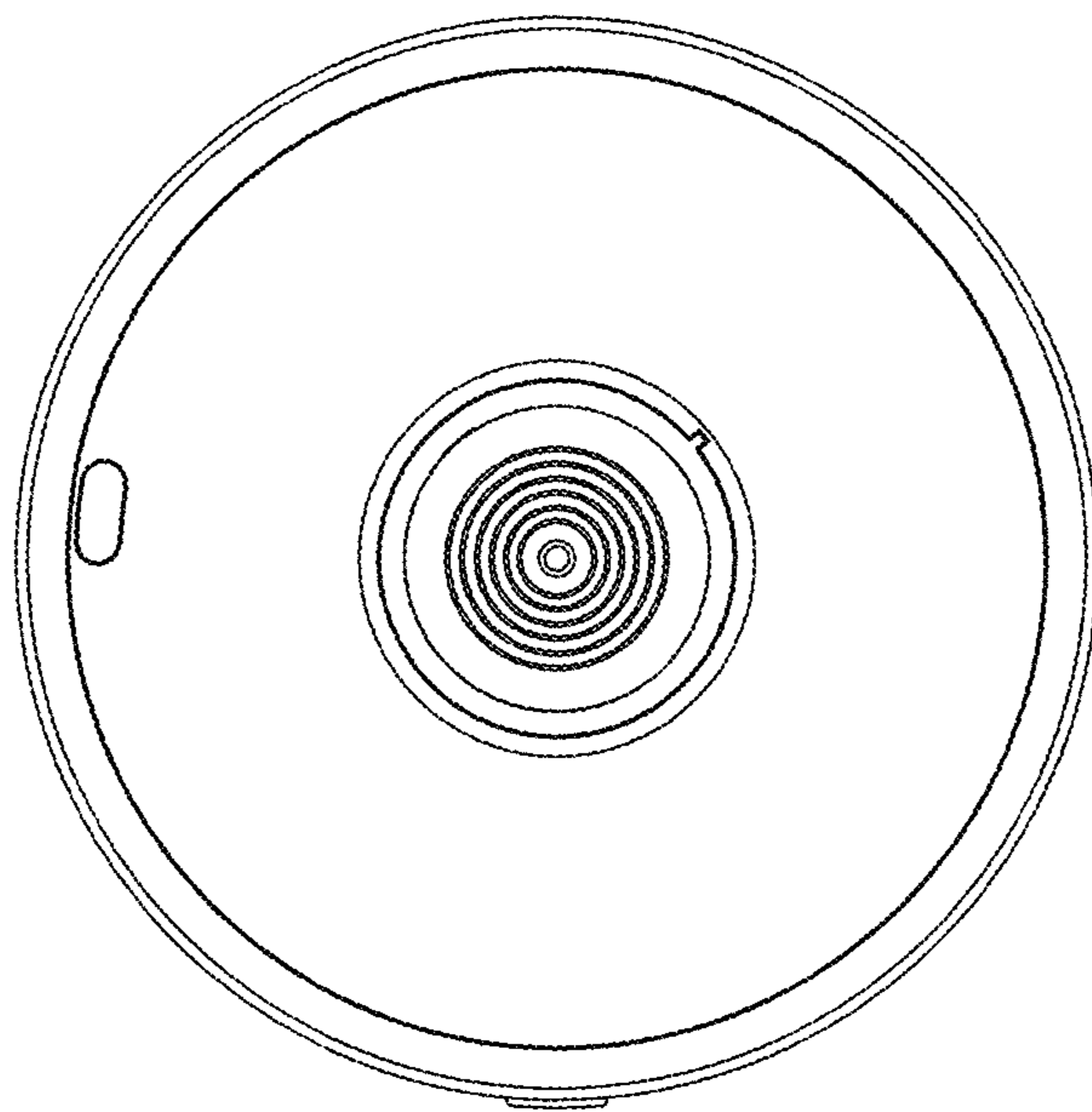


FIG. 7

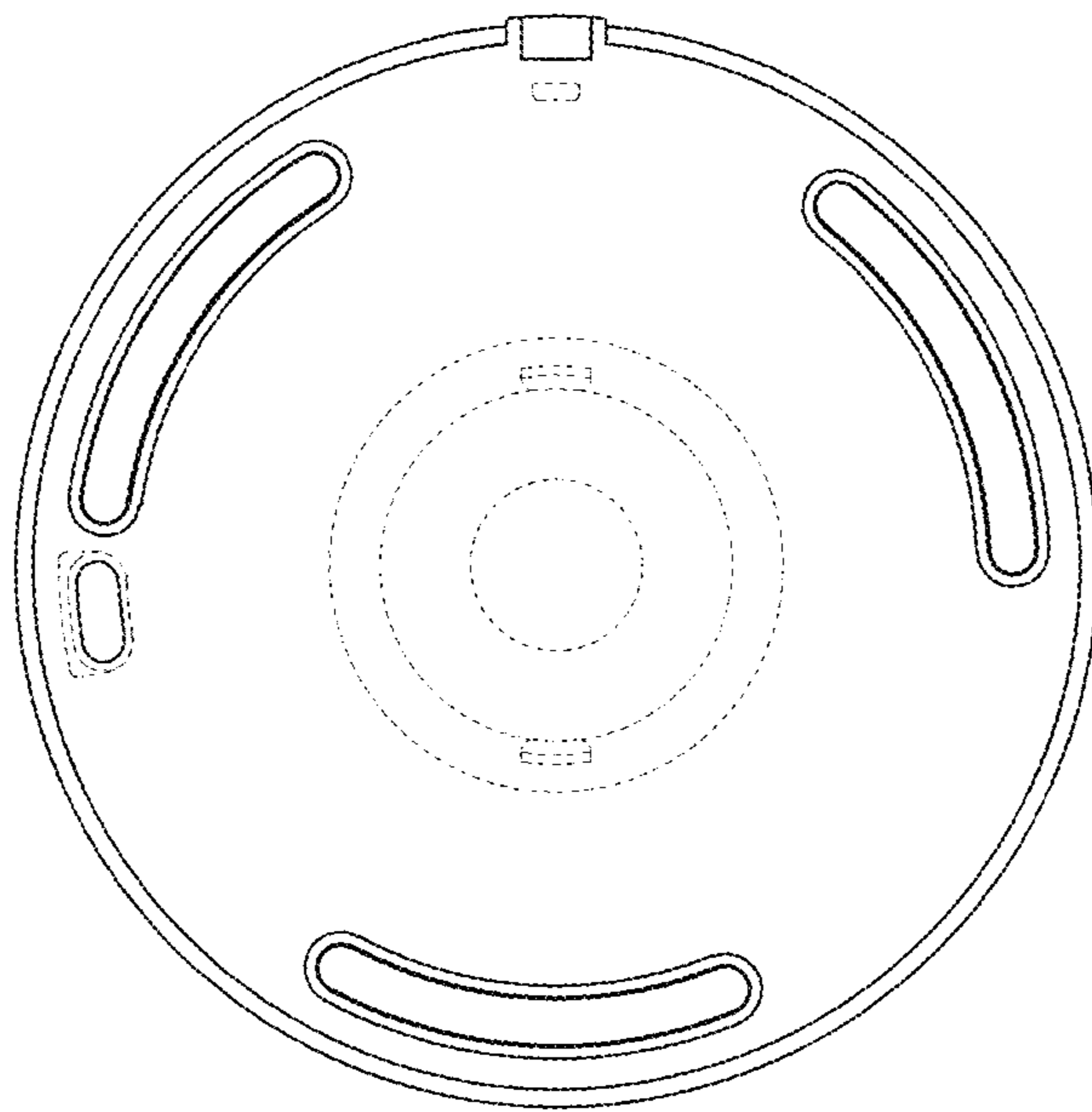


FIG. 8

