



US00D953799S

(12) **United States Design Patent** (10) **Patent No.:** **US D953,799 S**
Guleria (45) **Date of Patent:** **** Jun. 7, 2022**

- (54) **CARTRIDGE FOR A BEVERAGE DISPENSER**
- (71) Applicant: **Be the Change Labs, Inc.**, New York, NY (US)
- (72) Inventor: **Mohini Boparai Guleria**, Amsterdam (NL)
- (73) Assignee: **BE THE CHANGE LABS, INC.**, New York, NY (US)

- D588,852 S * 3/2009 Stein D7/301
- D607,272 S * 1/2010 Bodum D7/399
- D607,683 S * 1/2010 Choi D7/309
- D611,298 S * 3/2010 Freeman D7/397
- D672,188 S 12/2012 Luippold et al.
- D678,709 S * 3/2013 Sevcik D7/307
- D683,422 S * 5/2013 Choi D23/207
- 8,511,348 B2 8/2013 Lillard, Jr.

(Continued)

- (**) Term: **15 Years**
- (21) Appl. No.: **29/711,638**
- (22) Filed: **Nov. 1, 2019**

Related U.S. Application Data

- (63) Continuation-in-part of application No. 29/637,748, filed on Feb. 21, 2018, now Pat. No. Des. 867,046.

- (51) **LOC (13) Cl.** **07-99**
- (52) **U.S. Cl.**
USPC **D7/397**

- (58) **Field of Classification Search**
USPC D7/300, 304-322, 372-373, 376, D7/397-401, 415; D20/4, 5; D23/201, D23/207, 366, 209; D24/216-217, 219, D24/224; 99/292, 293; D9/428, 430, D9/432
CPC A47J 31/00; A47J 31/002; A47J 31/04; A47J 31/043; A47J 31/057; A47J 31/007; A47J 31/10; A47J 31/14; A47J 31/40; A47J 31/407; A47J 31/42; B67D 1/00; B67D 1/0043

See application file for complete search history.

- (56) **References Cited**

U.S. PATENT DOCUMENTS

- D188,528 S * 8/1960 Markley D7/313
- D318,974 S * 8/1991 Muller-Soppart D7/308

OTHER PUBLICATIONS

Rocean: World's First All-in-One Smart Water Maker, first available Apr. 9, 2018, Indiegogo, [online], [site visited Jun. 23, 2021], Available from internet URL: <https://www.indiegogo.com/projects/rocean-world-s-first-all-in-one-smart-water-maker#/> (Year: 2018).*

(Continued)

Primary Examiner — Mary Ann Calabrese

Assistant Examiner — Natalya M Rapundalo

(74) *Attorney, Agent, or Firm* — Husch Blackwell LLP

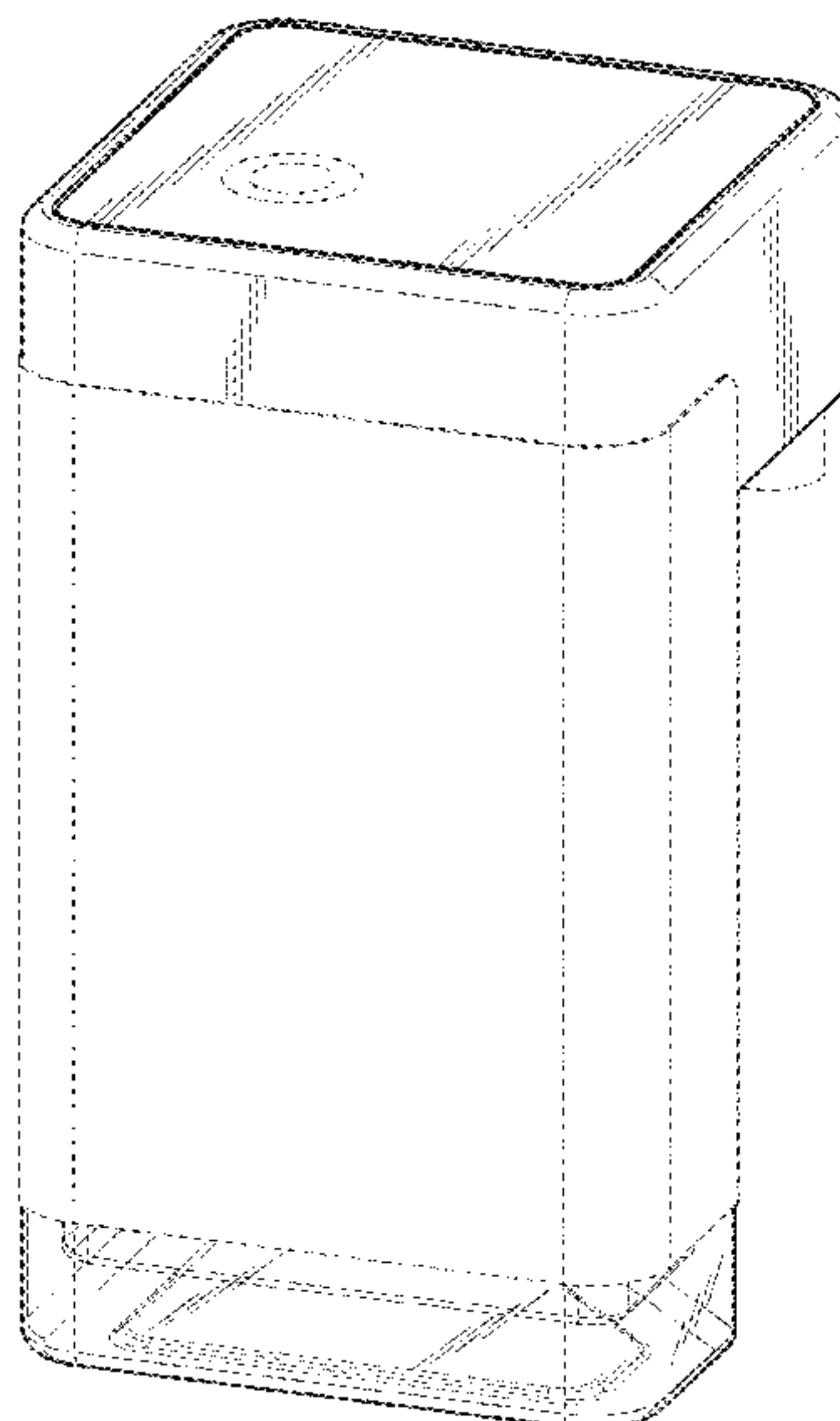
(57) **CLAIM**

The ornamental design for a cartridge for a beverage dispenser, as shown and described.

DESCRIPTION

FIG. 1 is a front perspective view of a cartridge for a beverage dispenser;
FIG. 2 is a rear perspective view thereof;
FIG. 3 is a front elevation view thereof;
FIG. 4 is a rear elevation view thereof;
FIG. 5 is a right side elevation view thereof;
FIG. 6 is a left side elevation view thereof;
FIG. 7 is a top plan view thereof; and,
FIG. 8 is a bottom plan view thereof.
The dashed lines are included for the purpose of illustrating portions of the cartridge for a beverage dispenser and form no part of the claimed design.

1 Claim, 5 Drawing Sheets



(56)

References Cited

U.S. PATENT DOCUMENTS

D690,548 S 10/2013 Andreesen
 D704,950 S * 5/2014 Bogner D6/518
 D738,153 S 9/2015 Brook
 D797,487 S 9/2017 Mangold et al.
 D813,587 S 3/2018 Rose et al.
 D823,036 S 7/2018 Kestenbaum
 D835,443 S * 12/2018 Gollnick D7/306
 D856,129 S * 8/2019 Torgersen B67D 1/0057
 D865,531 S * 11/2019 Bock-Aronson D9/414
 D867,046 S * 11/2019 Guleria D9/543
 D867,046 S * 11/2019 Guleria D7/306
 2005/0097907 A1 * 5/2005 Cleland F25D 31/002
 62/196.3
 2019/0256337 A1 * 8/2019 Bhutani B67D 1/0057

OTHER PUBLICATIONS

Elkay DSBCF180K Blubar Countertop Chilled Water Dispenser, Restaurant Supply [online], [site visited Jun. 25, 2021], Available from internet URL: <https://www.restaurantsupply.com/elkay-dsbcf180k-blubar-countertop-chilled-water-dispenser-1-3-gpm> (Year: 2021).*

Rocean | Free Your Water, Rocean, [online], [site visited Jun. 23, 2021], Available from internet URL: <https://rocean.com/> (Year: 2021).*

Design, Rocean, [online], [site visited Sep. 16, 2021], Available from internet URL: <https://rocean.com/pages/design> (Year: 2021).*

Office Action issued by the United States Patent Office for corresponding U.S. Appl. No. 29/637,748, dated Jun. 7, 2019.

* cited by examiner

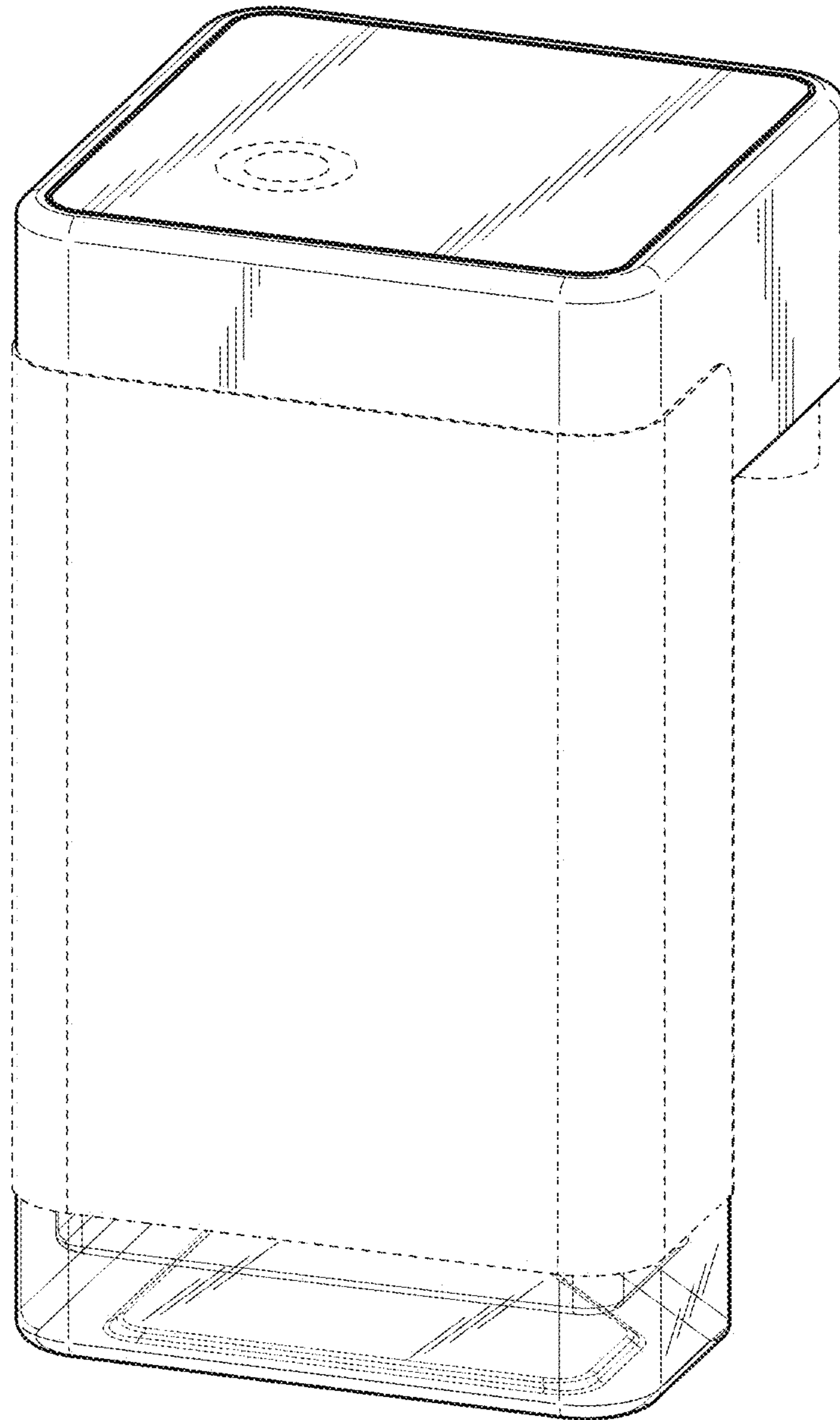


FIG. 1

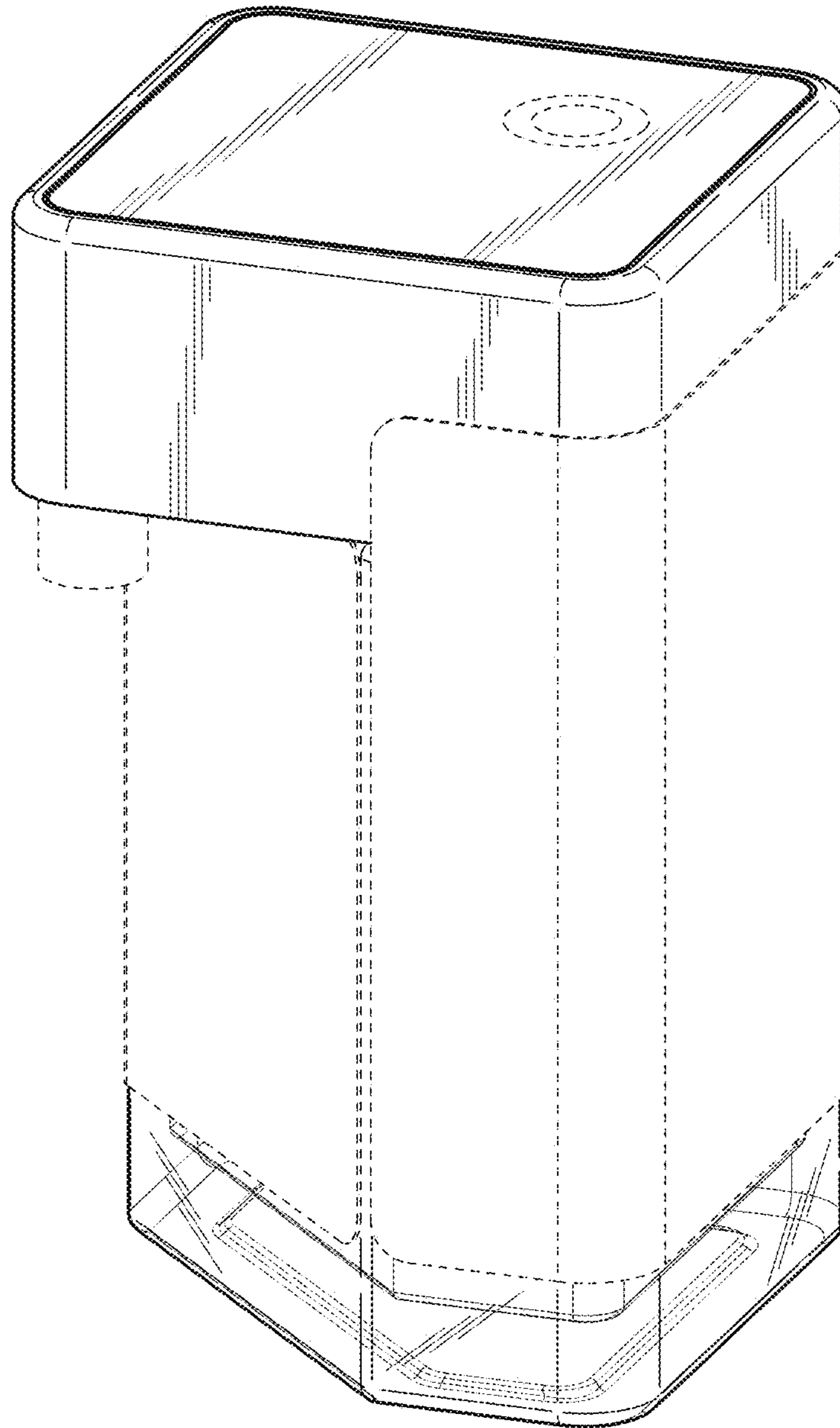


FIG. 2

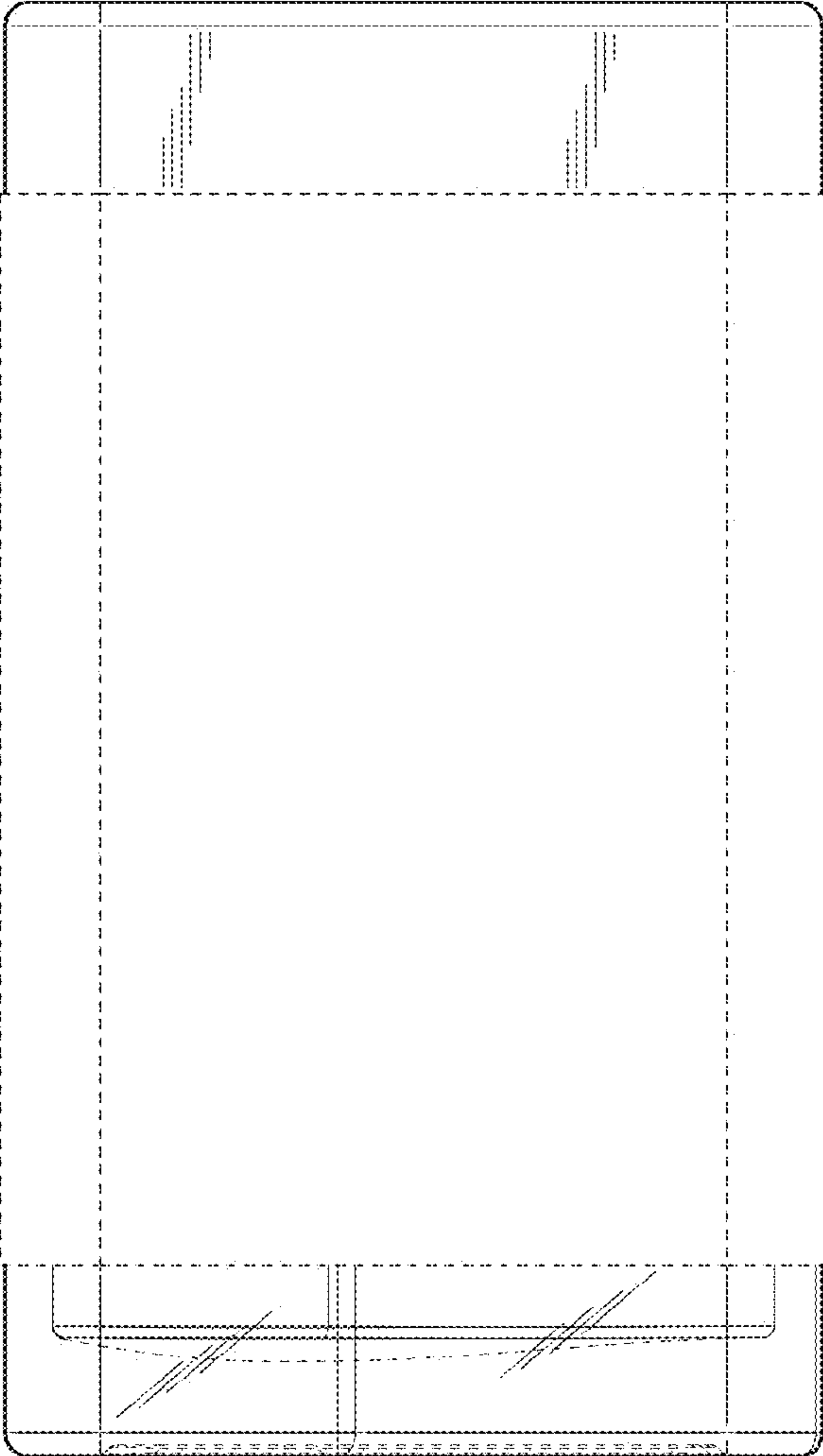


FIG. 3

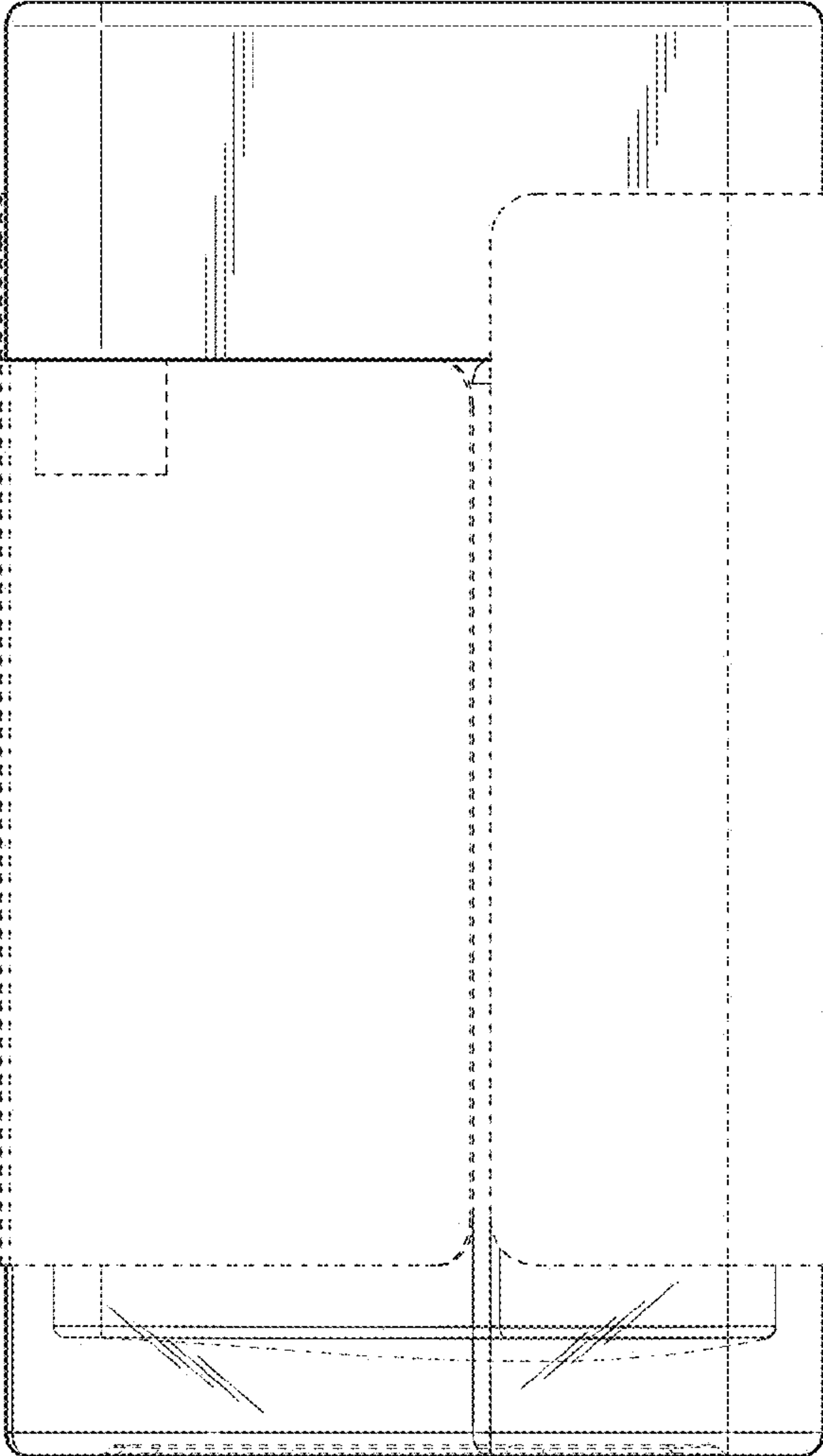


FIG. 4

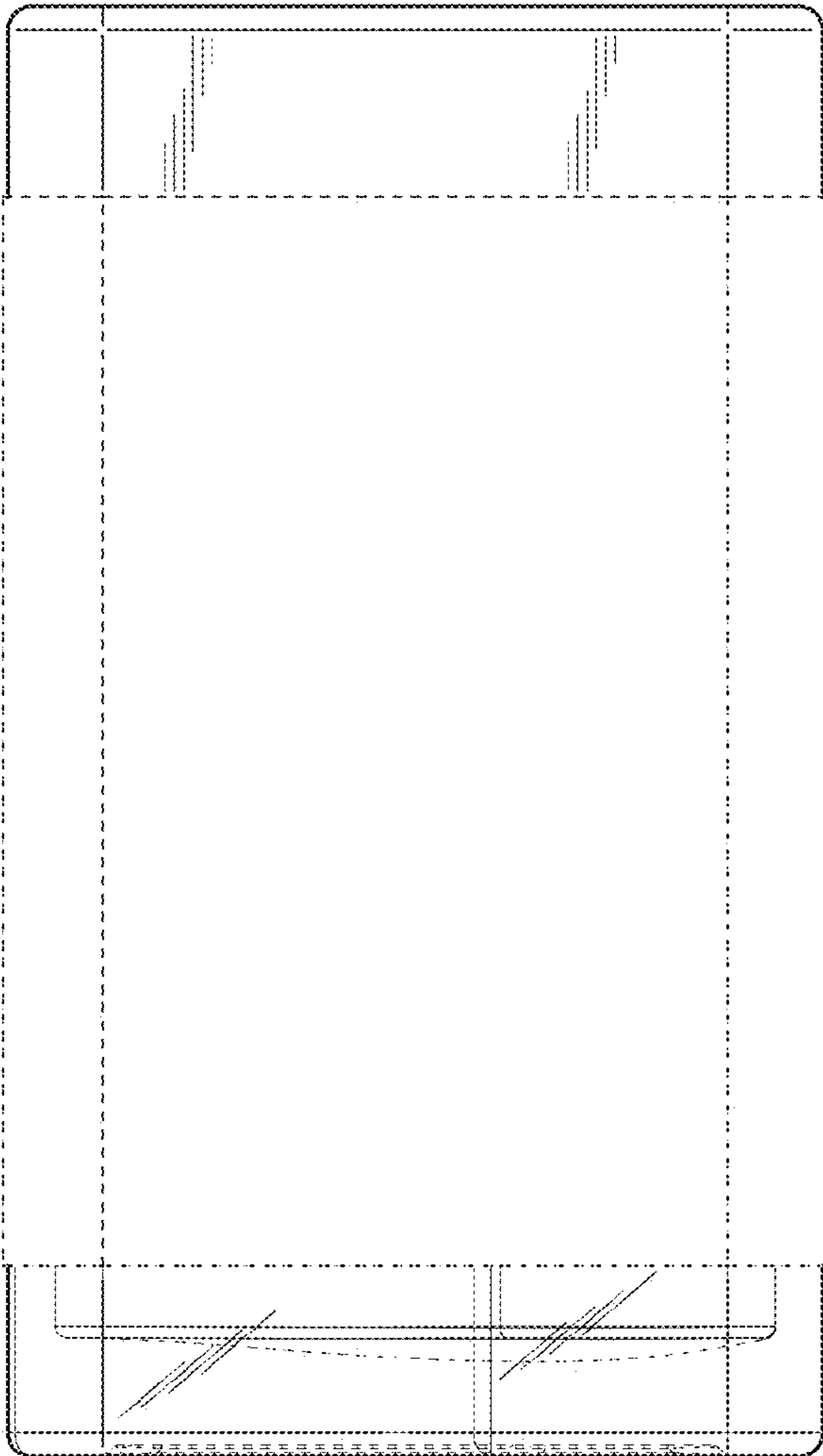


FIG. 5

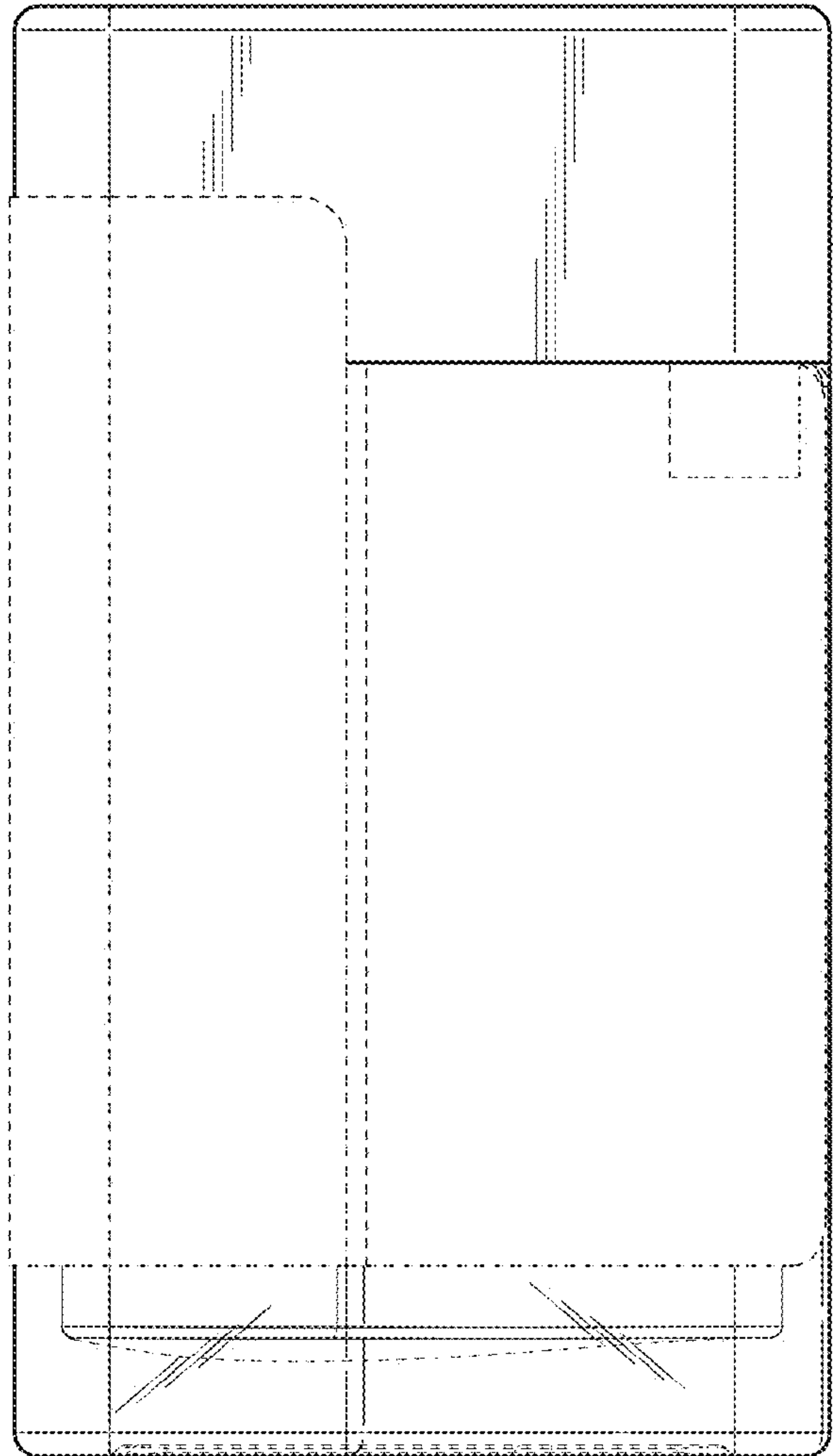


FIG. 6

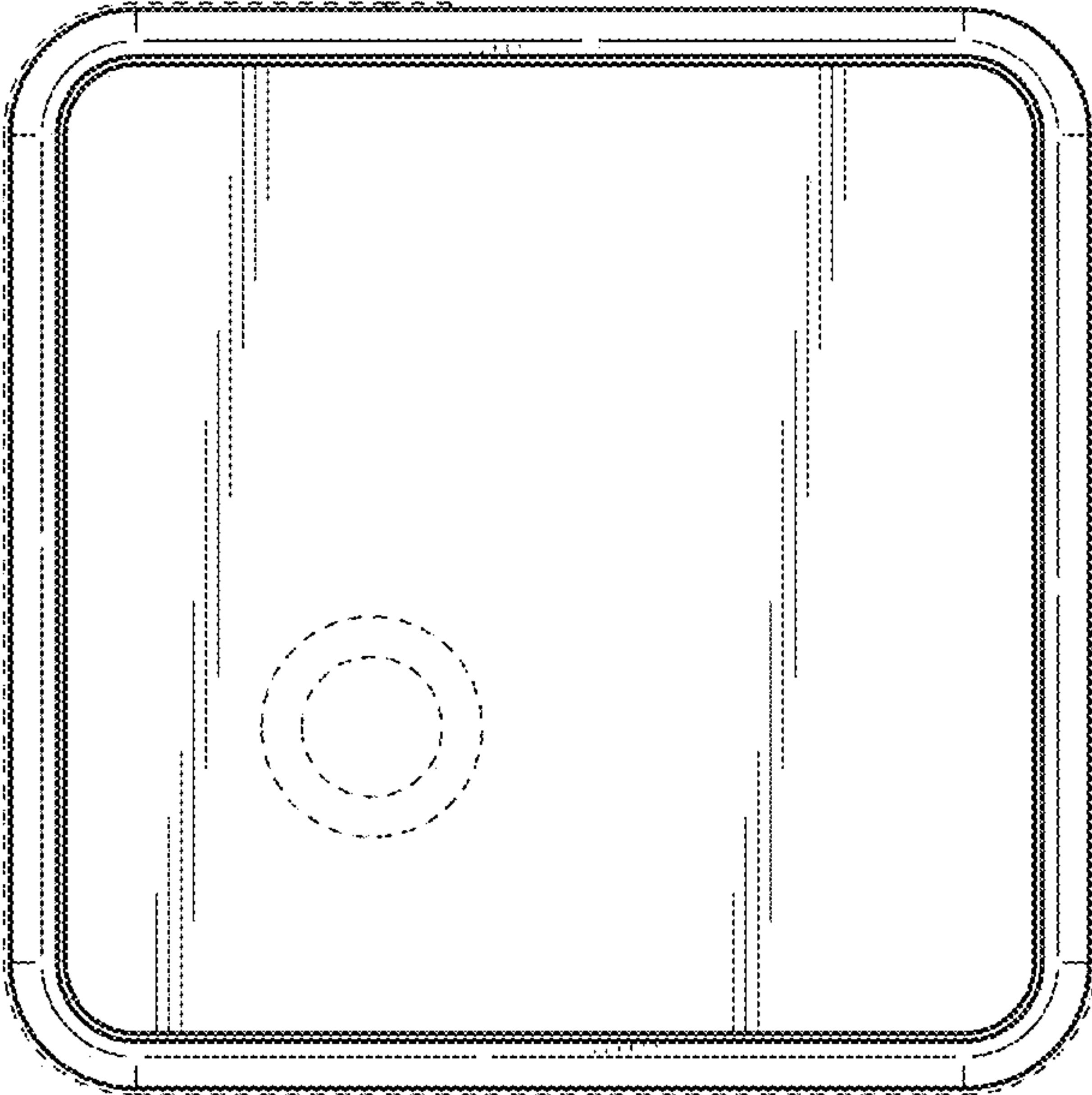


FIG. 7

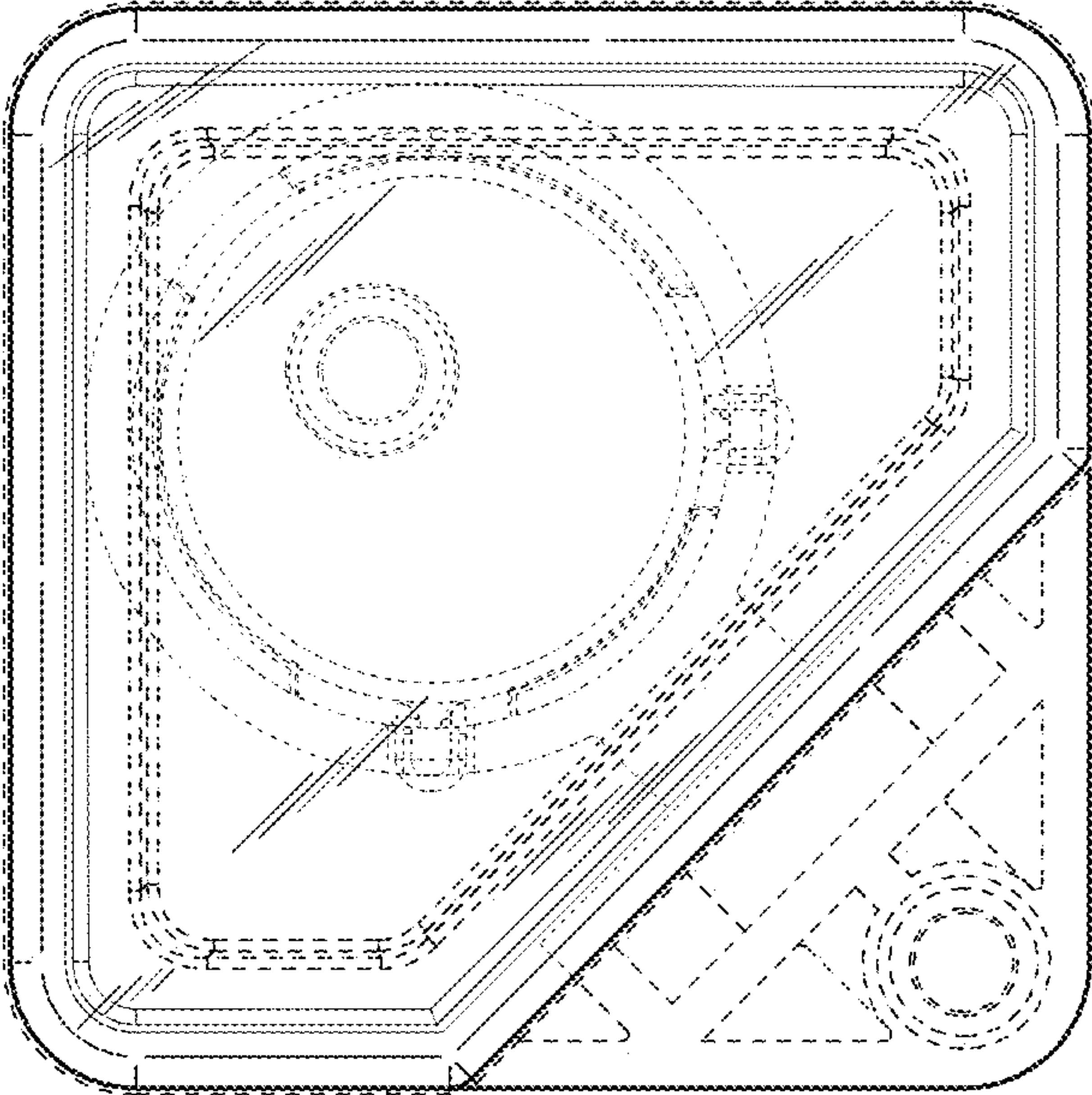


FIG. 8