



US00D953796S

(12) **United States Design Patent**
Cheng et al.

(10) **Patent No.:** **US D953,796 S**

(45) **Date of Patent:** **** Jun. 7, 2022**

(54) **KETTLE BASE**

(71) Applicants: **Han Cheng**, Chongqing (CN);
Yuenhan Chan, Hong Kong (HK)

(72) Inventors: **Han Cheng**, Chongqing (CN);
Yuenhan Chan, Hong Kong (HK)

(**) Term: **15 Years**

(21) Appl. No.: **29/716,767**

(22) Filed: **Dec. 11, 2019**

(51) **LOC (13) Cl.** **31-00**

(52) **U.S. Cl.**
USPC **D7/386; D7/376; D7/384**

(58) **Field of Classification Search**
USPC D7/319, 326, 372, 376-386, 396.6, 403,
D7/412-413, 602, 629, 665-666, 669,
D7/679, 693-694
CPC A21C 1/02; A21C 1/04; A23N 1/00; A23N
1/02; A47J 43/04; A47J 43/25; A47J
43/27; A47J 43/042; A47J 43/044; A47J
43/046; A47J 43/075; A47J 43/0722;
A47J 43/0727; B01F 3/00; B01F 3/0807;
B01F 3/0853; B01F 13/0059; B01F
13/0064; B02C 1/08; B02C 2/04; B02C
4/42; B02C 4/142; B02C 4/143; B02C
4/423; B02C 13/1835; B28C 5/10; B28C
5/12; B28C 5/14; B28C 5/16
See application file for complete search history.

(56) **References Cited**

U.S. PATENT DOCUMENTS

D348,797 S * 7/1994 Brady D7/386
D389,696 S * 1/1998 Feil D7/386

D475,238 S * 6/2003 Feil D7/376
D628,426 S * 12/2010 Hoare D7/319
D641,197 S * 7/2011 Borin D7/378
D671,356 S * 11/2012 Huang D7/378
D688,911 S * 9/2013 Chiarini D7/378
D735,523 S * 8/2015 Mishima D7/378
D824,723 S * 8/2018 Averty D7/412
D845,699 S * 4/2019 Hoff D7/378
D894,679 S * 9/2020 Cheng D7/403
D943,346 S * 2/2022 Harrod D7/399
2002/0027175 A1 * 3/2002 Capp A47J 43/046
241/199.12

* cited by examiner

Primary Examiner — Ricky Pham

(74) *Attorney, Agent, or Firm* — IPro, PLLC

(57) **CLAIM**

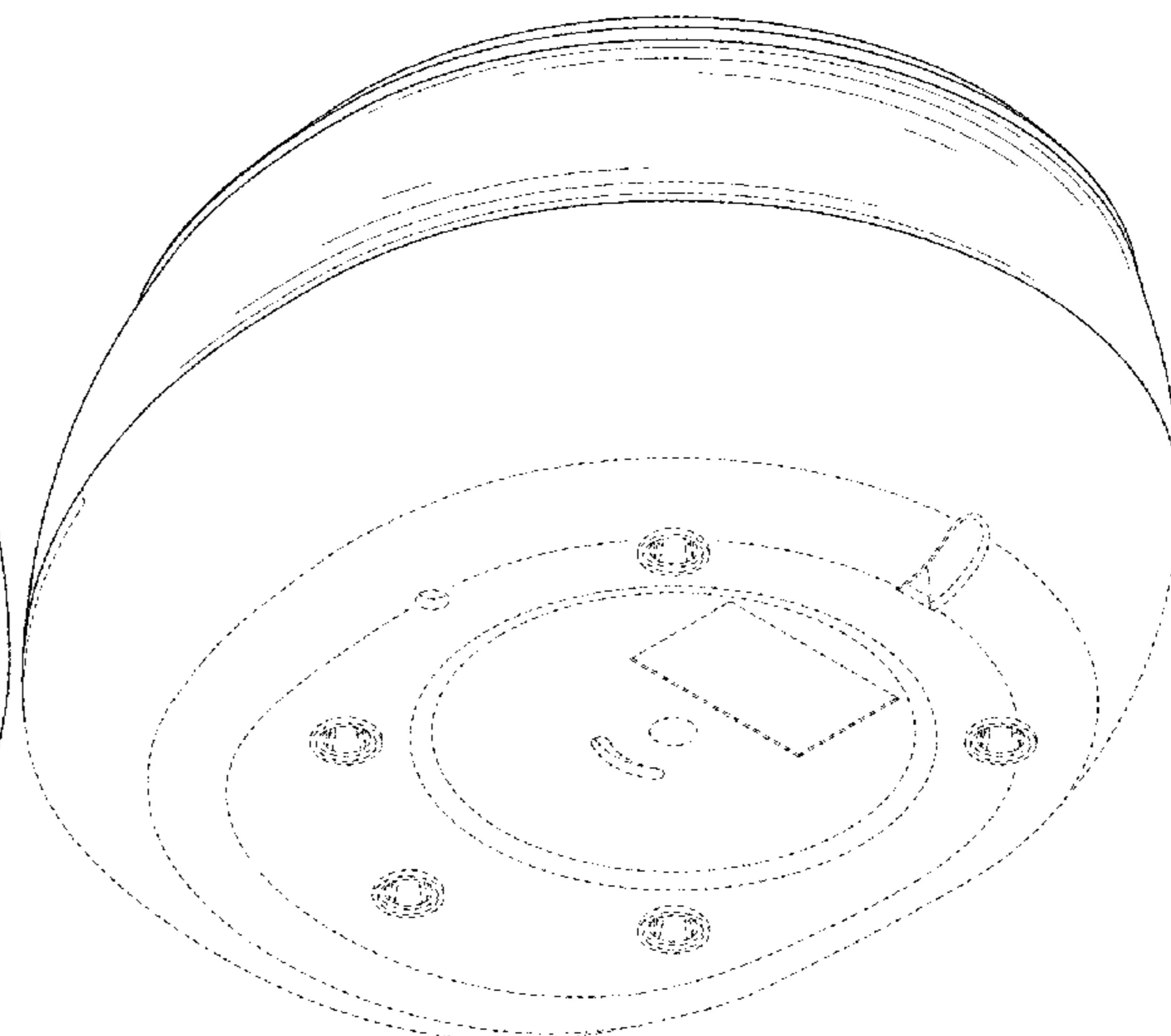
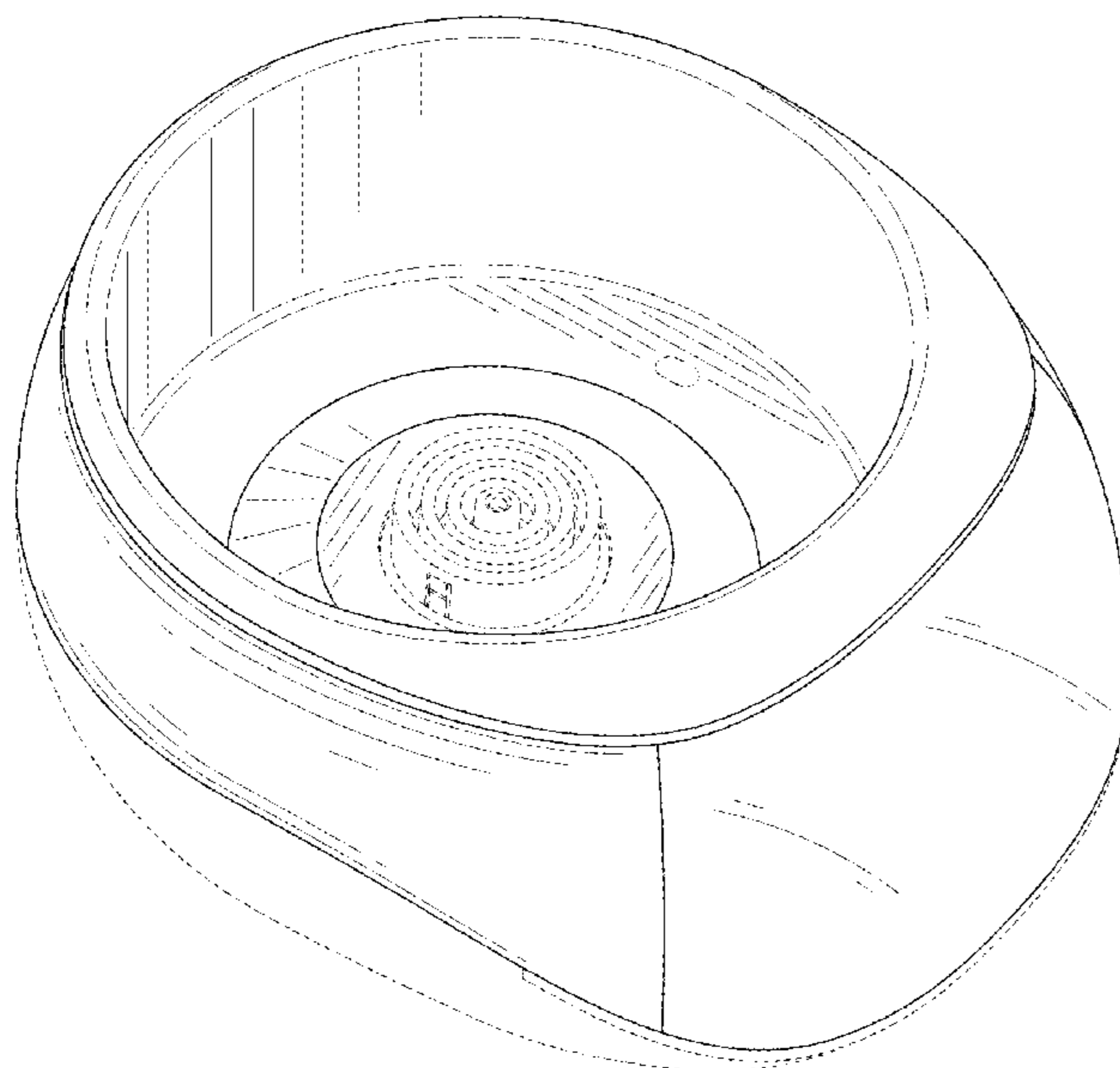
The ornamental design for a kettle base, as shown and described.

DESCRIPTION

FIG. 1 is a first perspective view of an ornamental design for a kettle base showing our new design;
FIG. 2 is a second perspective view thereof;
FIG. 3 is a front view thereof;
FIG. 4 is a rear view thereof;
FIG. 5 is a left side view thereof;
FIG. 6 is a right side view thereof;
FIG. 7 is a top view thereof; and,
FIG. 8 is a bottom view thereof.

The broken lines in the figures are for environmental purposes only and form no part of the claimed design.

1 Claim, 8 Drawing Sheets



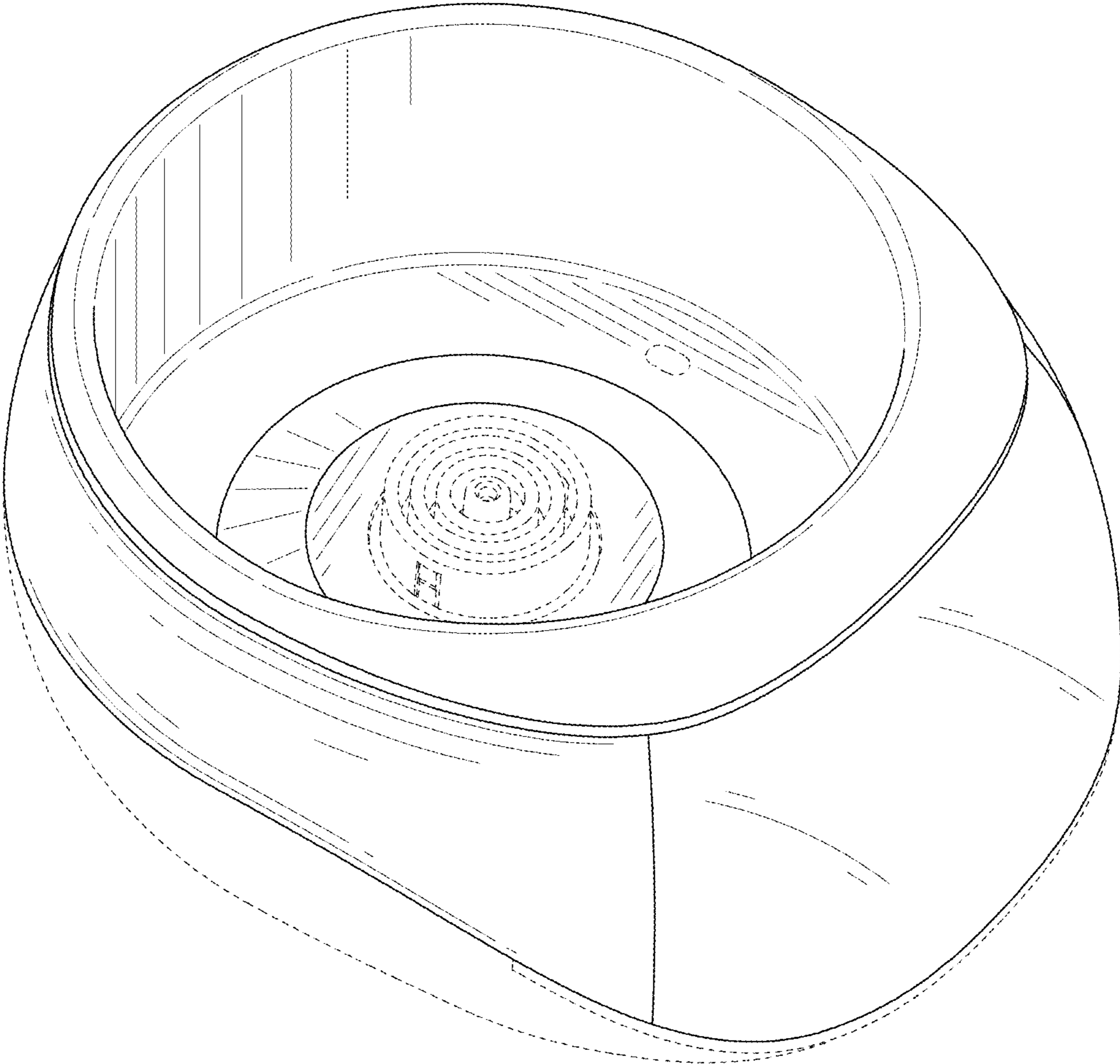


FIG. 1

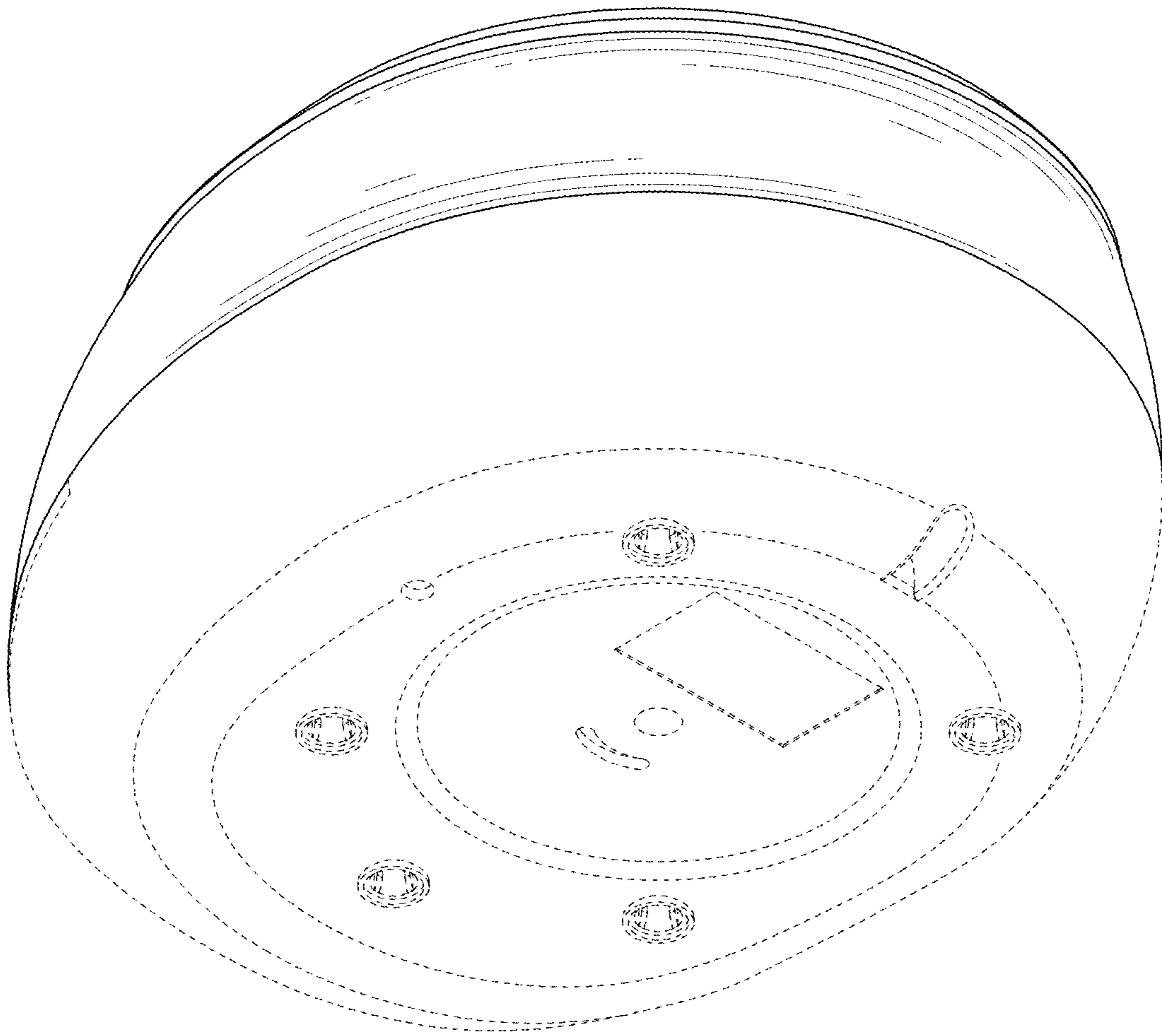


FIG. 2

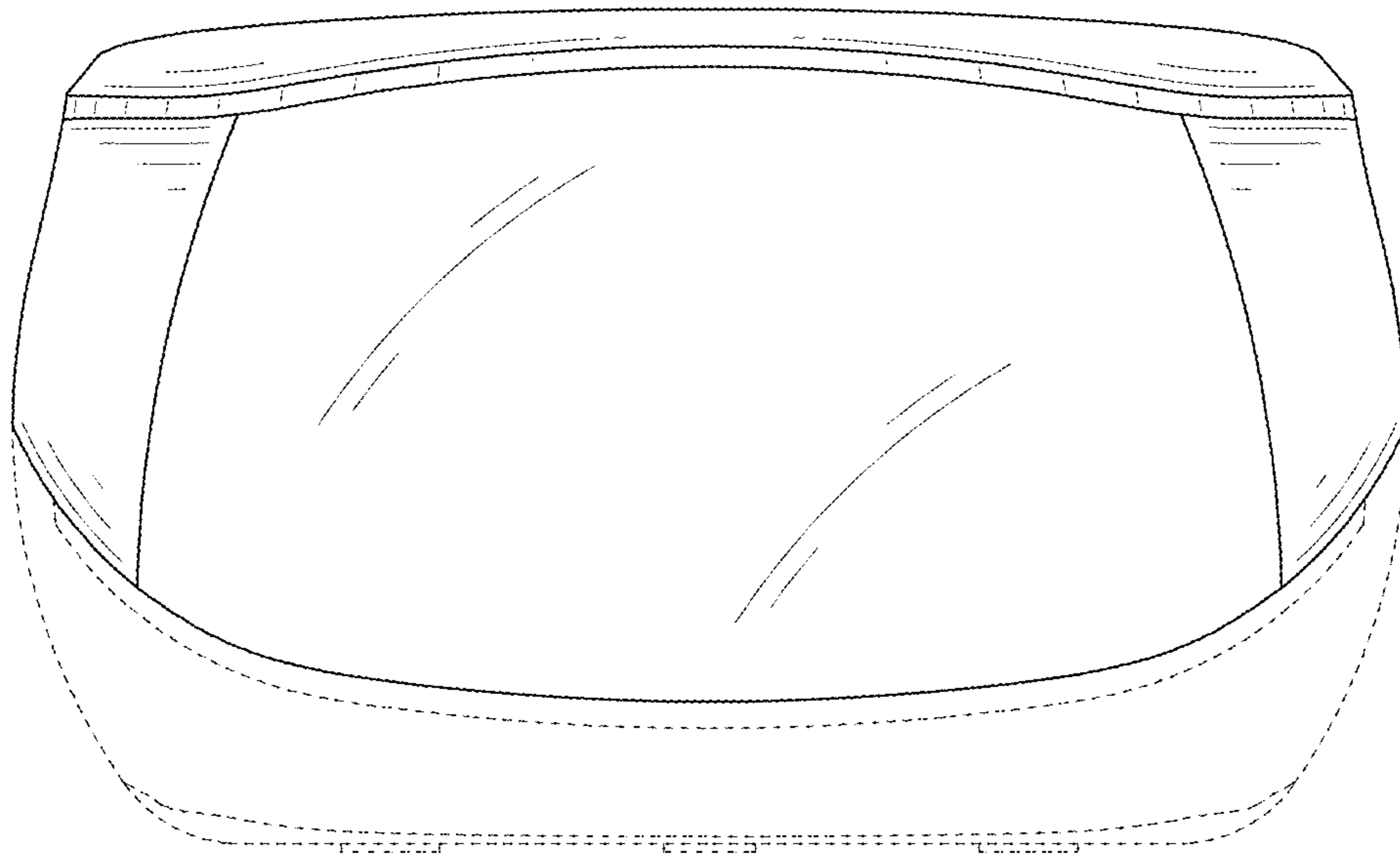


FIG. 3

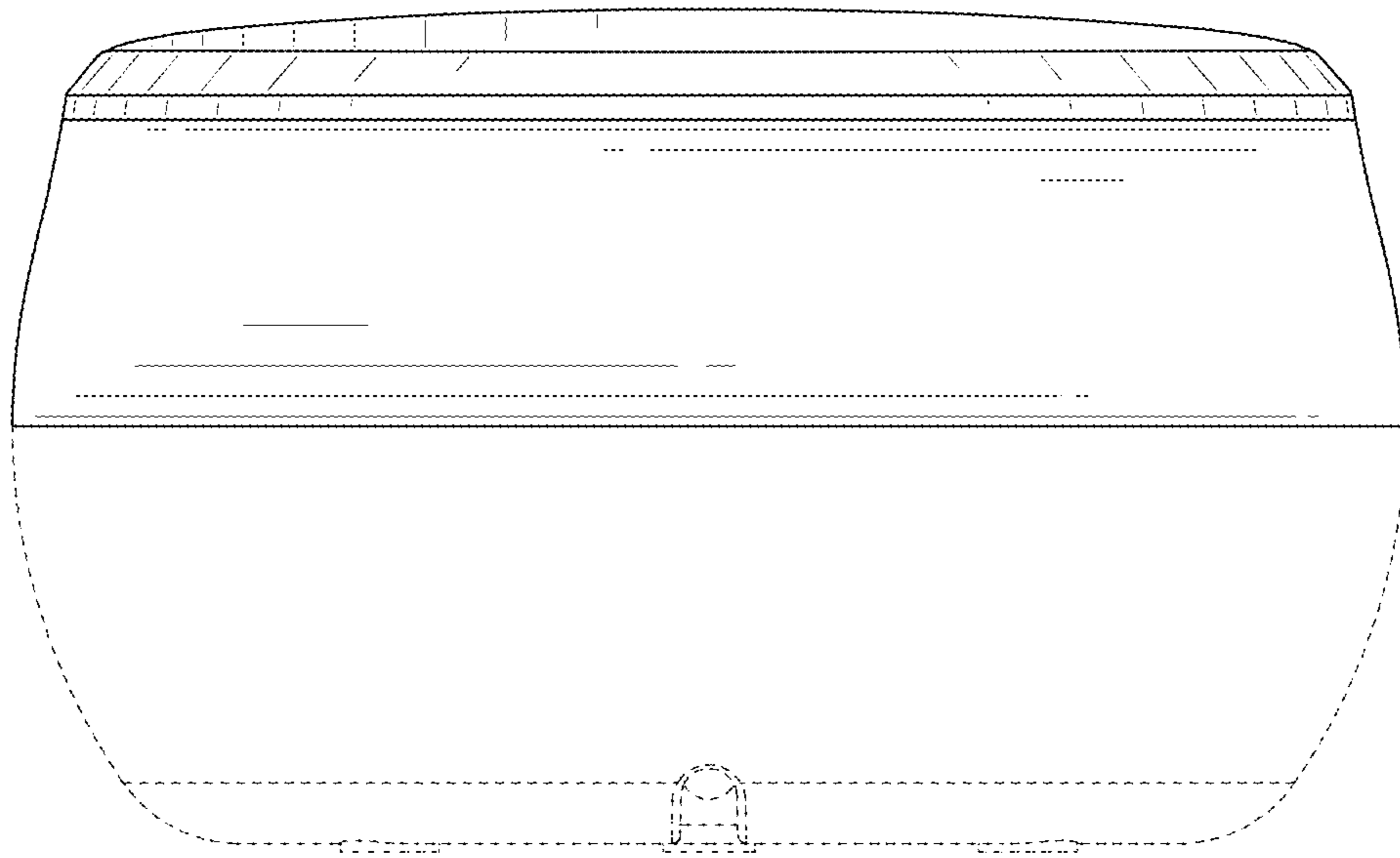


FIG. 4

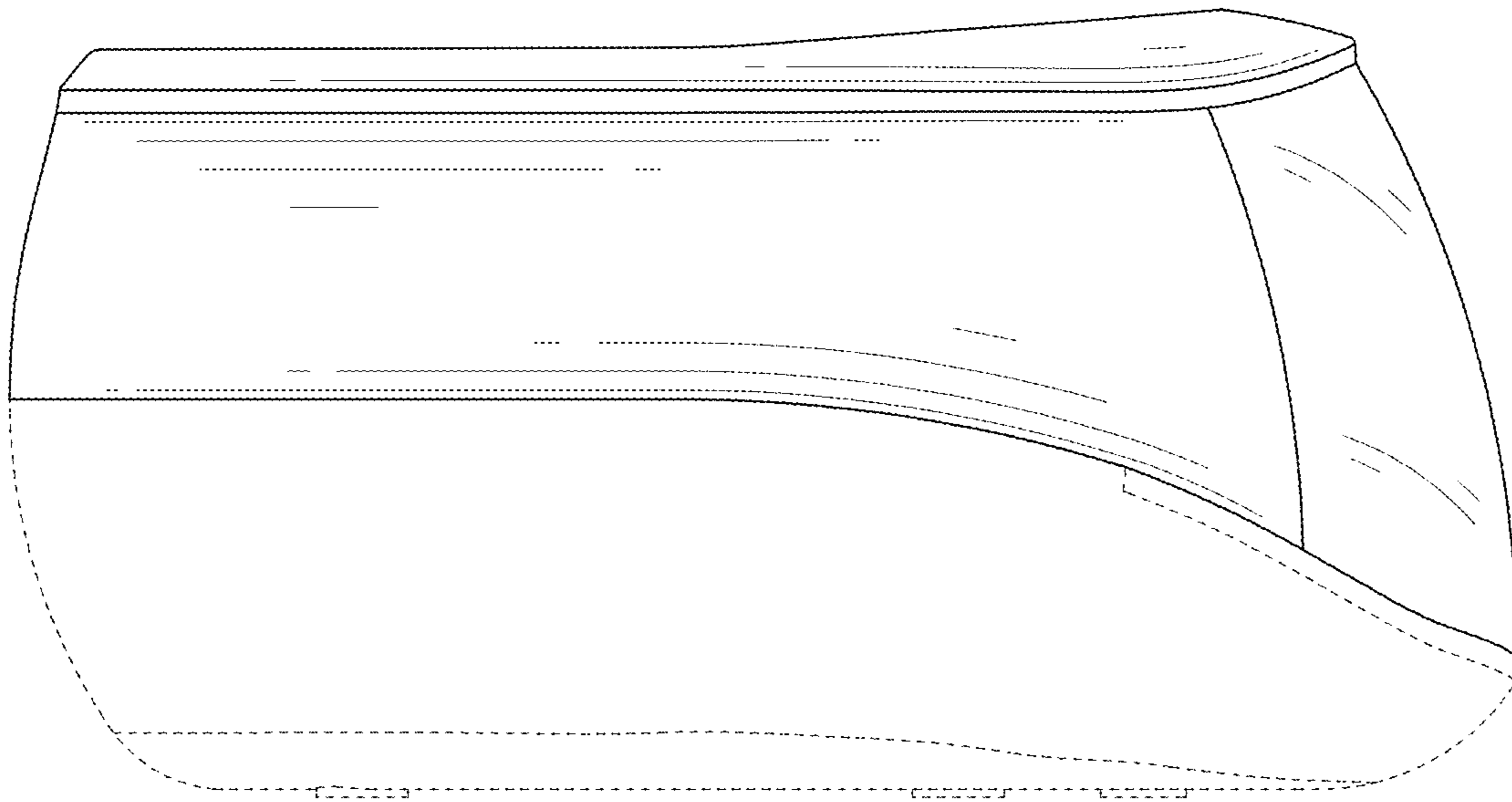


FIG. 5

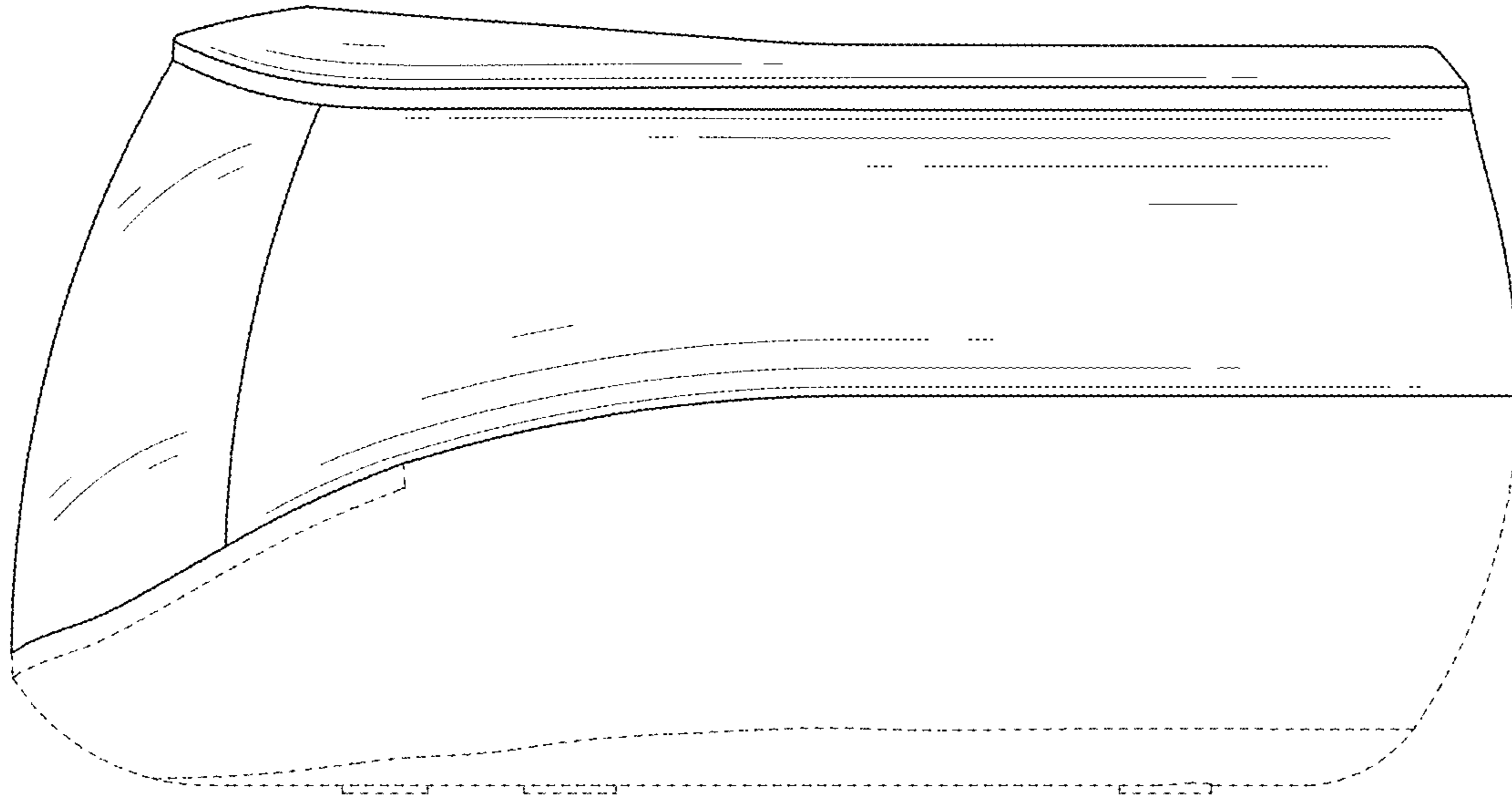


FIG. 6

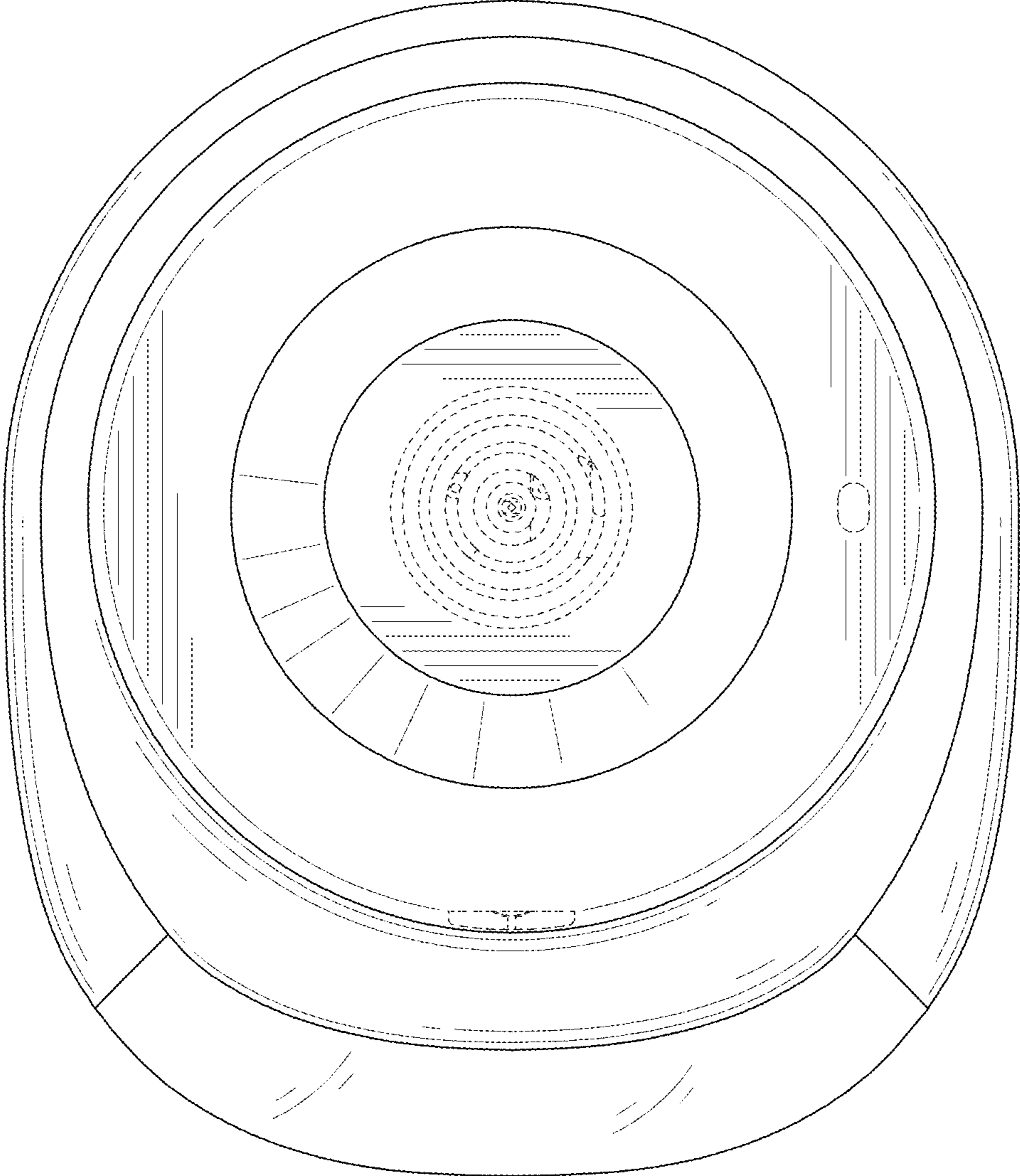


FIG. 7

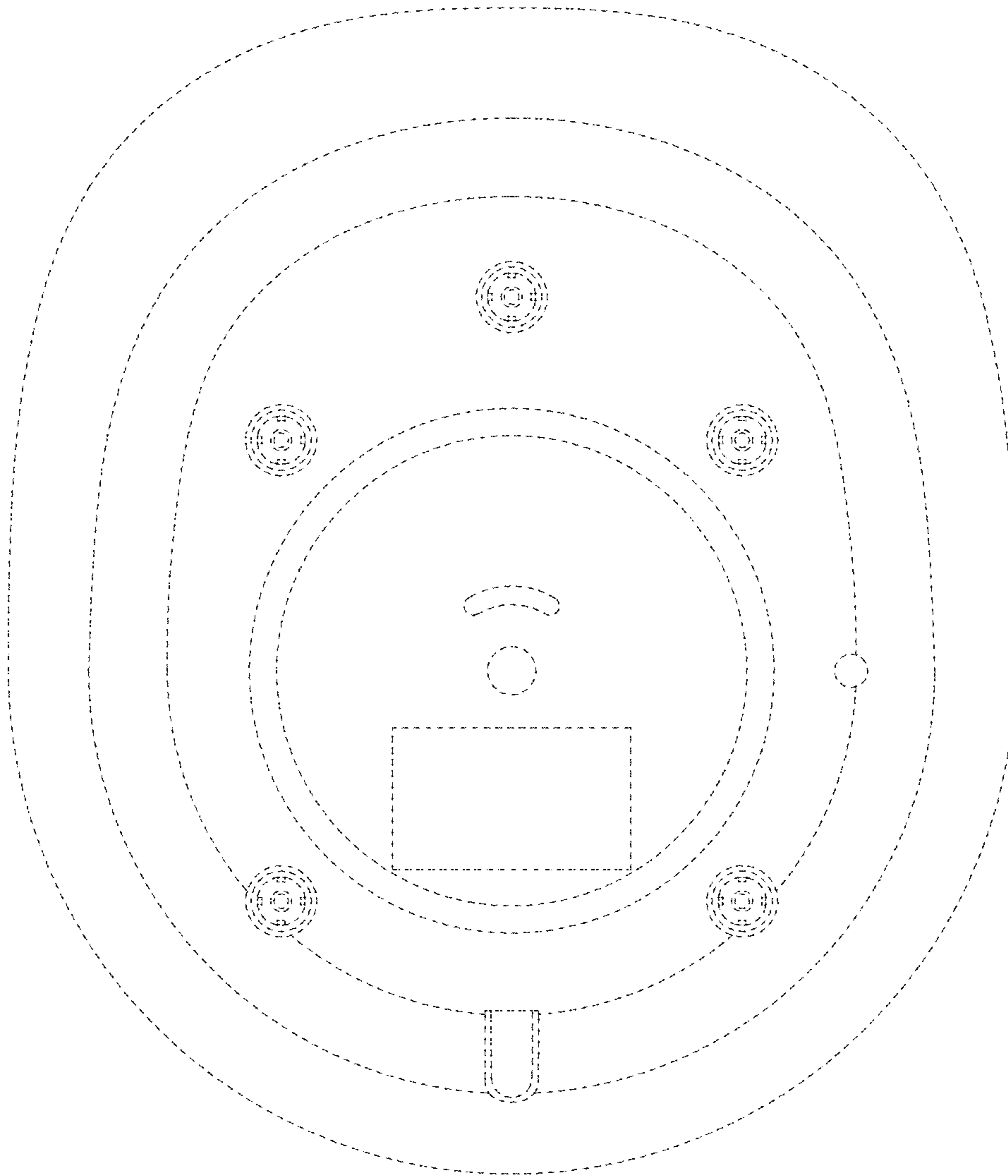


FIG. 8