



US00D953795S

(12) **United States Design Patent**
Stevenson et al.

(10) **Patent No.:** **US D953,795 S**
(45) **Date of Patent:** **** Jun. 7, 2022**

(54) **BLENDER**

(71) Applicant: **HY CITE ENTERPRISES, LLC**,
Madison, WI (US)
(72) Inventors: **Craig Stevenson**, Fitchburg, WI (US);
Aric Dichraff, Madison, WI (US); **Lu**
Shen, Johnson Creek, WI (US); **Ana E.**
Pineiro, Madison, WI (US); **Julio**
Angel Salva Alvarez, Madison, WI
(US); **Jitae Kim**, Daegu (KR); **Chang**
H. Kim, Schaumburg, IL (US); **Morad**
Ghassemian, Oak Park, IL (US)

(73) Assignee: **Hy Cite Enterprises, LLC**, Middleton,
WI (US)

(**) Term: **15 Years**

(21) Appl. No.: **29/754,932**

(22) Filed: **Oct. 15, 2020**

(51) **LOC (13) Cl.** **31-00**

(52) **U.S. Cl.**
USPC **D7/378; D7/376; D7/386; D7/412;**
D7/413

(58) **Field of Classification Search**

USPC D7/372, 376–386, 412–413, 602, 629,
D7/665–666, 669, 679, 693–694
CPC A21C 1/02; A21C 1/04; A23N 1/00; A23N
1/02; A47J 43/04; A47J 43/25; A47J
43/27; A47J 43/042; A47J 43/044; A47J
43/046; A47J 43/075; A47J 43/0711;
A47J 43/0722; A47J 43/0727; B01F 3/00;
B01F 3/0807; B01F 3/0853; B01F
13/0059; B01F 13/0064; B02C 1/08;
B02C 2/04; B02C 4/42; B02C 4/142;
B02C 4/143; B02C 4/423; B02C 13/1835;
B28C 5/10; B28C 5/12; B28C 5/14;
B28C 5/16

See application file for complete search history.

(56) **References Cited**

U.S. PATENT DOCUMENTS

D309,399 S 7/1990 Barnard et al.
D336,590 S 6/1993 Barnard
D345,488 S 3/1994 Barnard et al.
(Continued)

FOREIGN PATENT DOCUMENTS

CN 304267193 9/2017

OTHER PUBLICATIONS

Dash Chef Series 64 oz Blender. Date First Available on Amazon.
com Dec. 5, 2012. <https://www.amazon.com/Blender-Stainless-Digital-Cocktails-Smoothies/dp/B00AIZBMPY/ref> (Year: 2012).*
(Continued)

Primary Examiner — Ricky Pham

(74) *Attorney, Agent, or Firm* — Michael Best &
Friedrich LLP

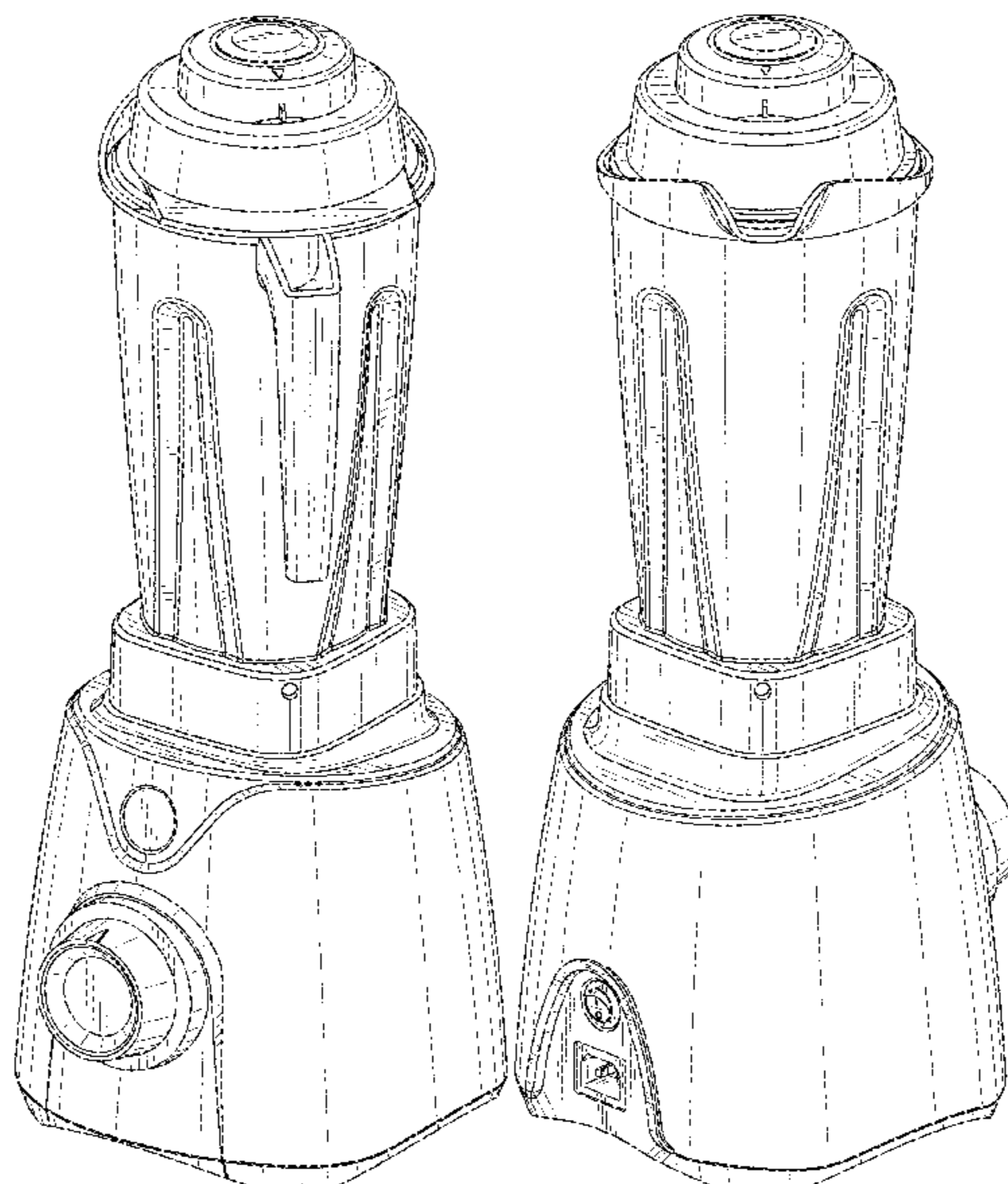
(57) **CLAIM**

We claim the ornamental design for a blender, as shown and
described.

DESCRIPTION

FIG. 1 is a first perspective view of a blender showing the
new design;
FIG. 2 is a second, opposite perspective view of the blender
shown in FIG. 1;
FIG. 3 is an elevation view of a first side of the blender
shown in FIG. 1;
FIG. 4 is an elevation view of a second side of the blender
shown in FIG. 1;
FIG. 5 is an elevation view of a first end of the blender
shown in FIG. 1;
FIG. 6 is an elevation view of a second end of the blender
shown in FIG. 1;
FIG. 7 is a top view of the blender shown in FIG. 1; and,
FIG. 8 is a bottom view of the blender shown in FIG. 1.

1 Claim, 7 Drawing Sheets



(56)

References Cited

U.S. PATENT DOCUMENTS

D424,874 S 5/2000 Anton et al.
 D480,915 S 10/2003 Kolar et al.
 D488,347 S 4/2004 Boozer et al.
 D495,925 S 9/2004 Ulanski et al.
 D513,685 S 1/2006 Katz et al.
 D527,575 S 9/2006 Ulanski et al.
 D528,363 S 9/2006 Ulanski et al.
 D528,364 S 9/2006 Kolar et al.
 D528,859 S 9/2006 Boozer et al.
 D543,072 S * 5/2007 Ting D7/378
 D551,020 S 9/2007 Kozlowski et al.
 D553,425 S * 10/2007 Steiner D7/378
 D587,526 S 3/2009 Barnard et al.
 D588,406 S 3/2009 Ulanski
 D591,558 S 5/2009 Barnard et al.
 D592,087 S 5/2009 Ohtani et al.
 D592,454 S 5/2009 Boozer et al.
 D595,084 S 6/2009 Metaxatos et al.
 D621,656 S 8/2010 Ulanski et al.
 D660,643 S 5/2012 Boozer et al.
 D662,359 S 6/2012 Boozer et al.
 D666,056 S 8/2012 Boozer et al.
 D670,532 S 11/2012 Boozer et al.

D759,424 S * 6/2016 Ou D7/378
 D771,999 S 11/2016 Kettavong et al.
 D782,865 S * 4/2017 Bazzicalupo D7/378
 D784,071 S * 4/2017 Davies D7/386
 D801,109 S * 10/2017 Lee D7/386
 D822,437 S 7/2018 Hosey et al.
 D832,029 S 10/2018 Gee, II et al.
 D845,698 S 4/2019 Gee, II et al.
 D862,975 S * 10/2019 Bodum D7/378
 D863,870 S * 10/2019 Powell D7/378
 D863,873 S 10/2019 Kettavong et al.
 D877,557 S 3/2020 Gee et al.
 D896,566 S * 9/2020 Wang D7/378
 D904,822 S * 12/2020 Koszylko D7/386
 D921,418 S * 6/2021 Thun D7/378
 D927,923 S * 8/2021 Berg D7/386
 D929,177 S * 8/2021 Finnance D7/378

OTHER PUBLICATIONS

Brazilian petition for an administrative nullity proceeding related to Brazilian Design Registration No. 30 2021 001606 0 dated Mar. 7, 2022 (12 pages including English statement of relevance).

* cited by examiner

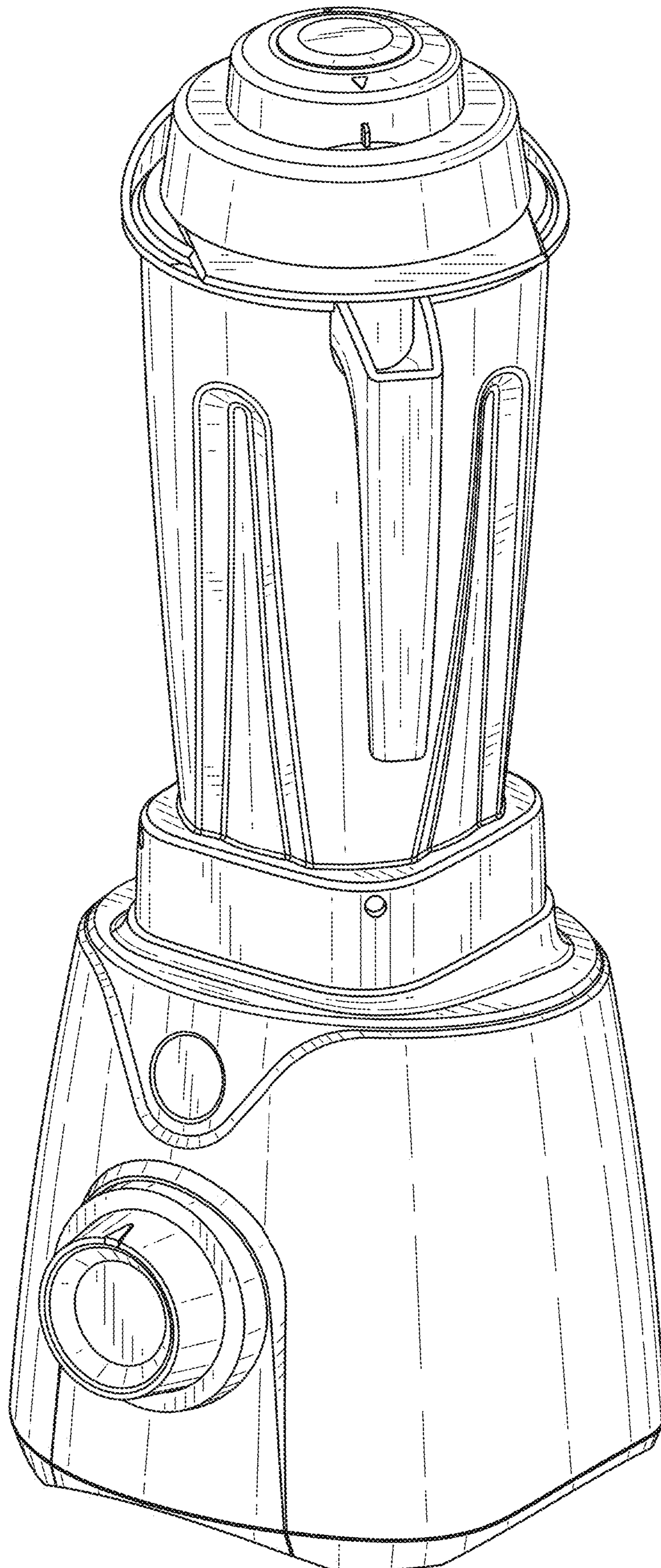


FIG. 1

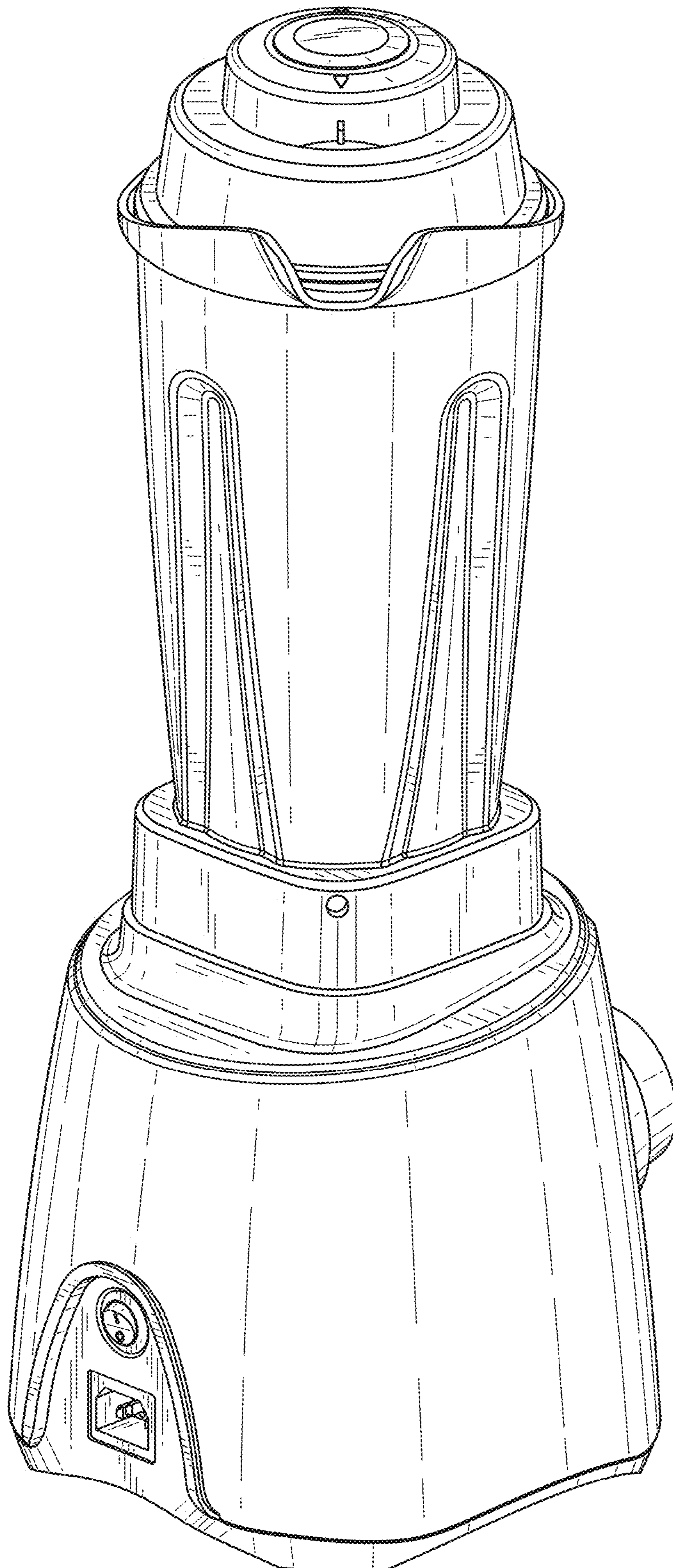


FIG. 2

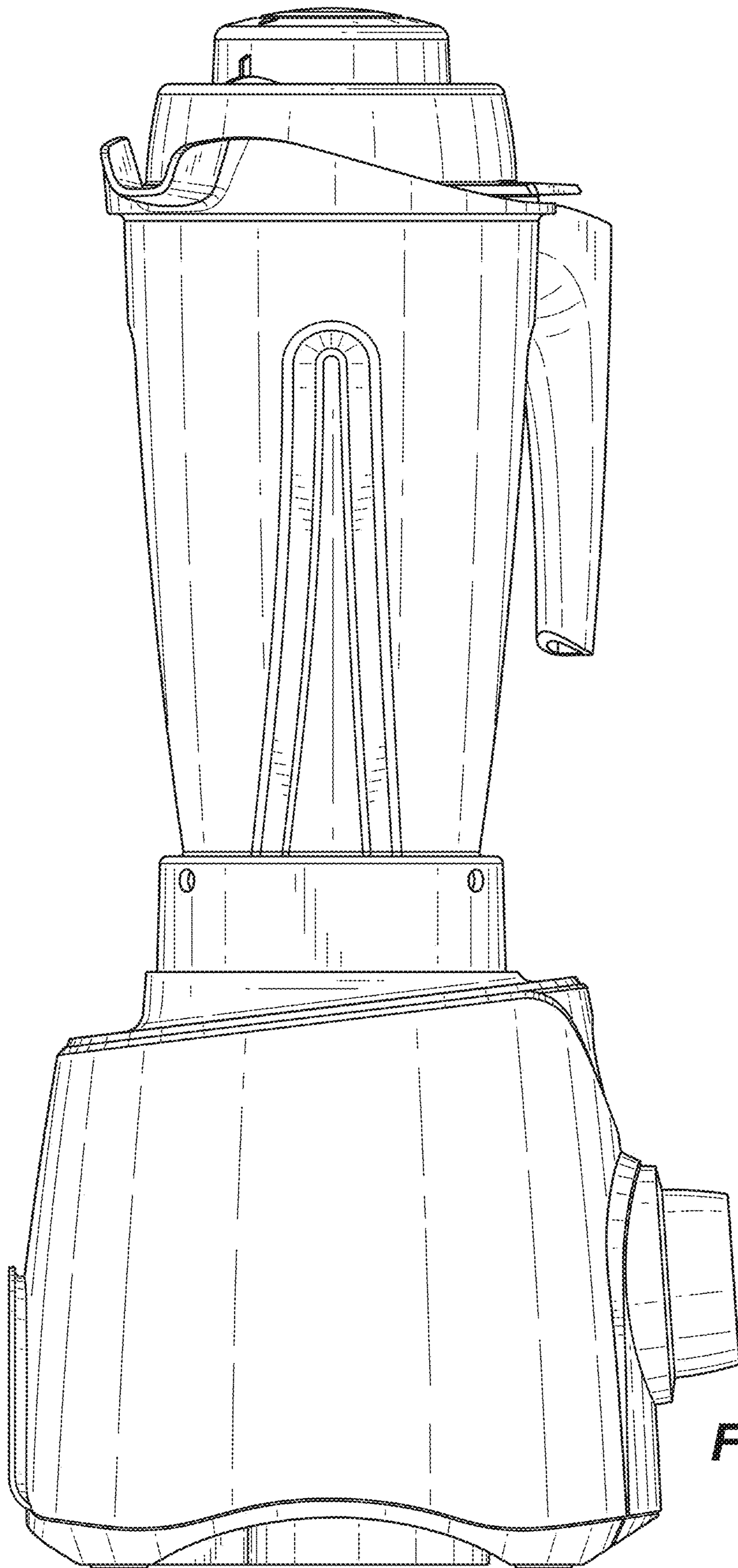


FIG. 3

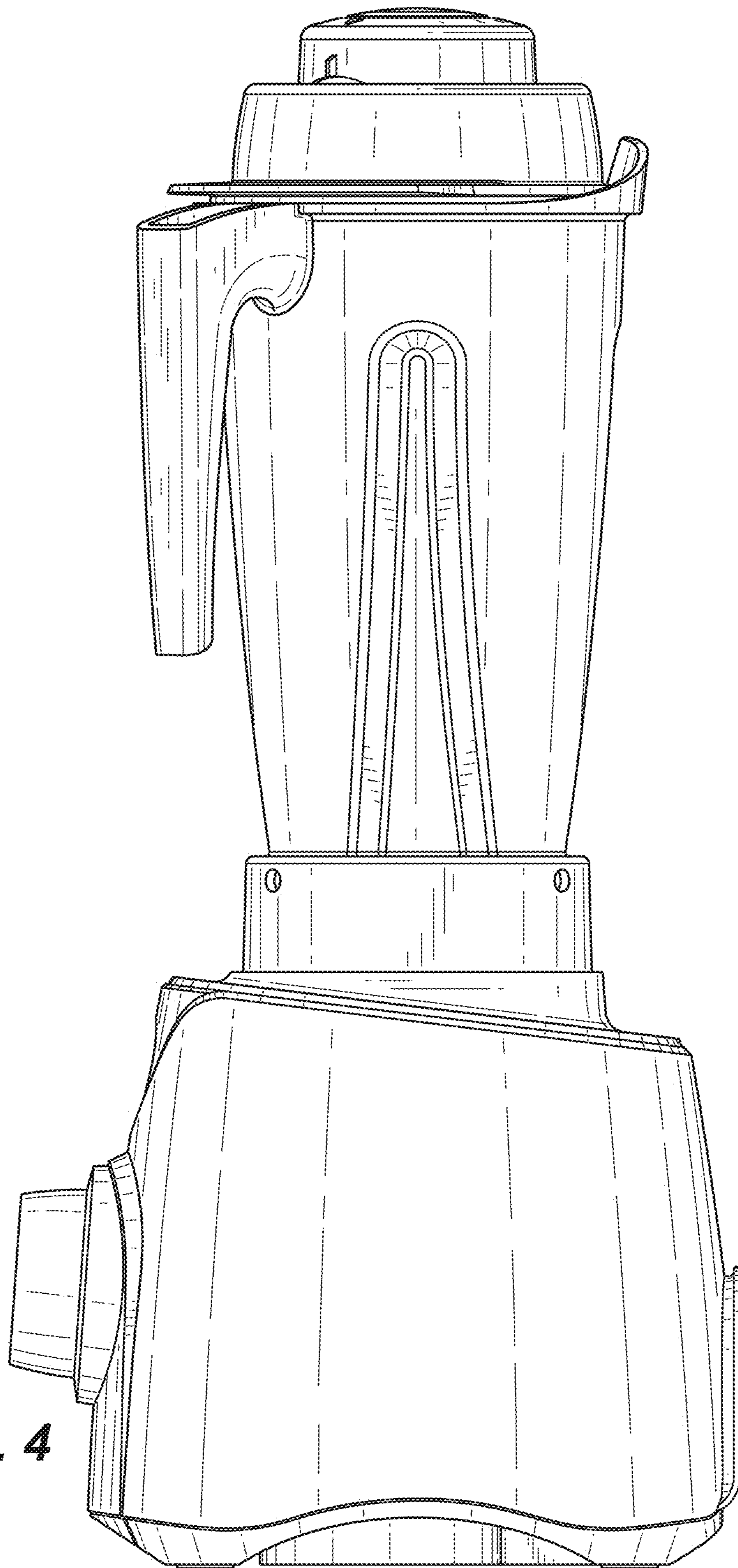


FIG. 4

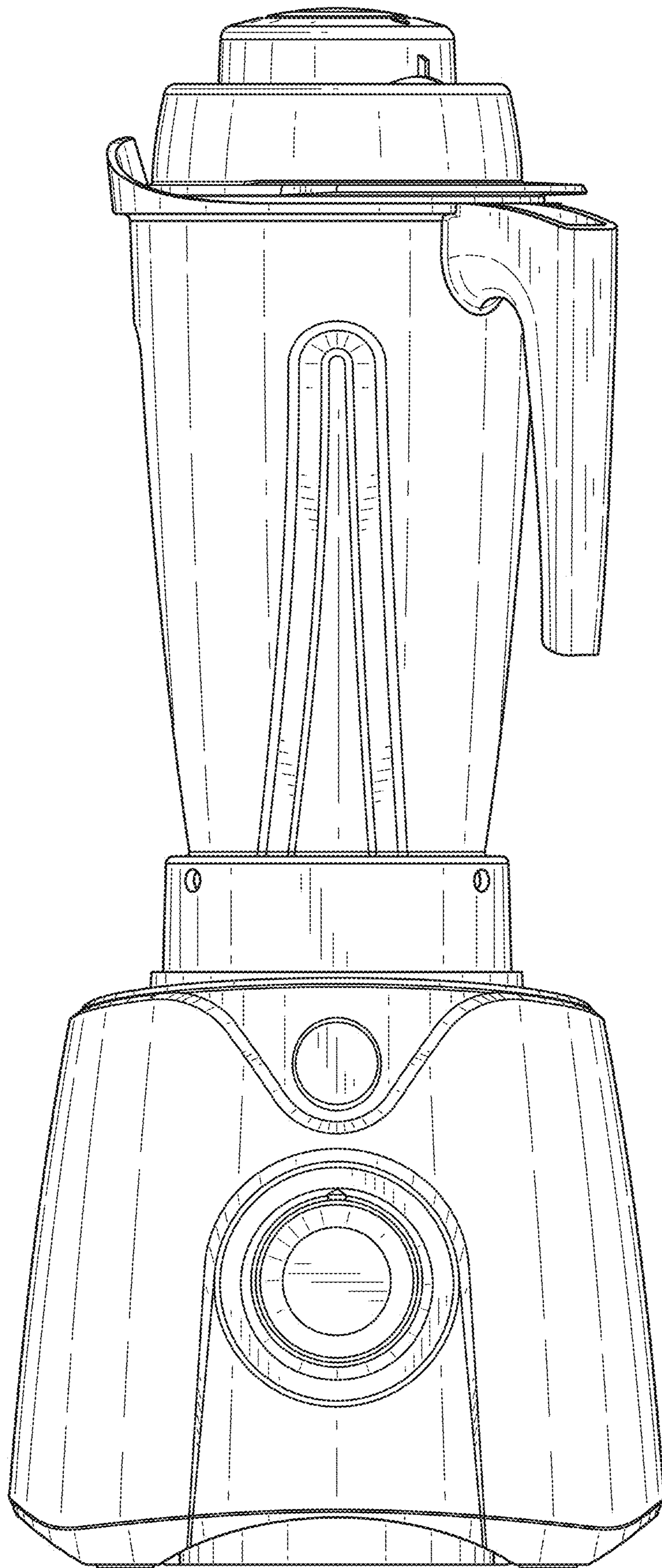


FIG. 5

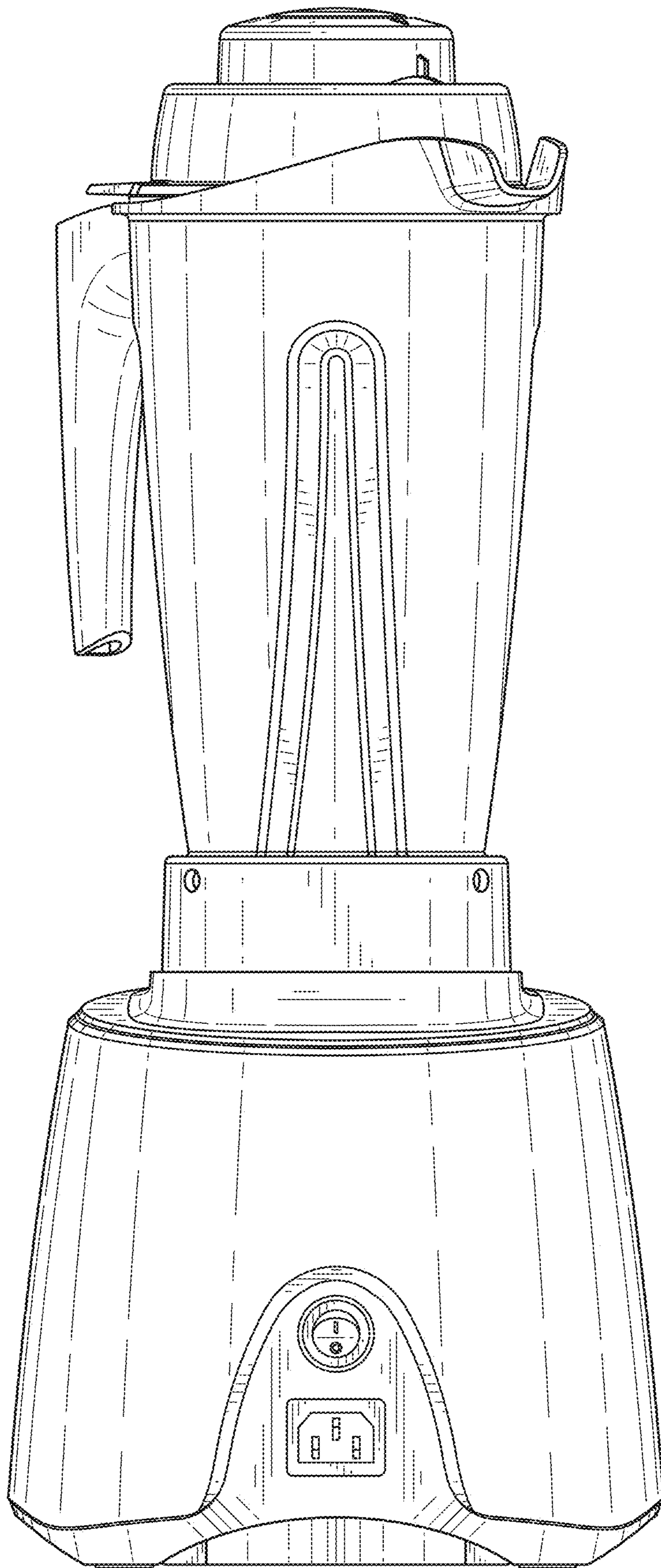


FIG. 6

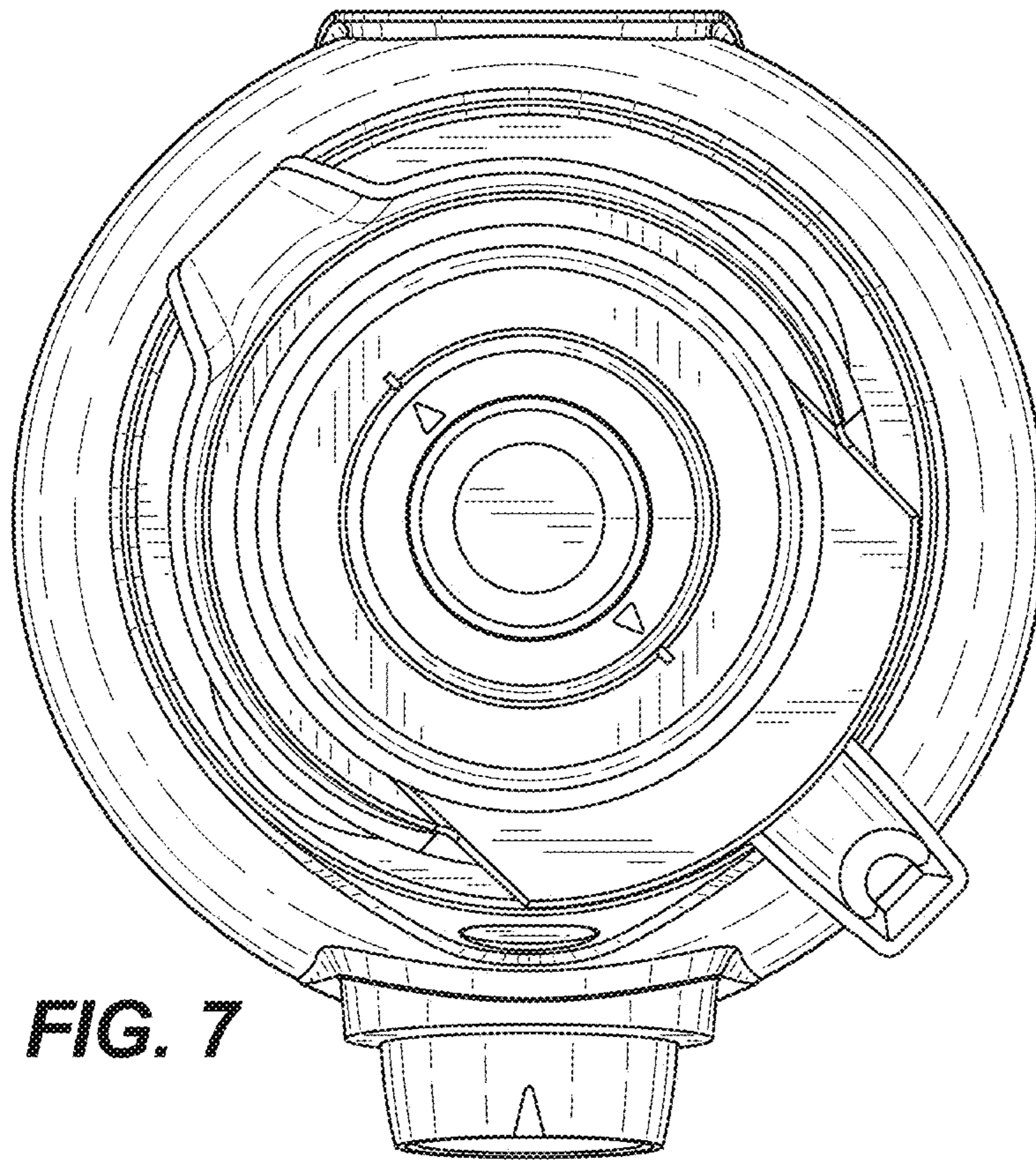


FIG. 7

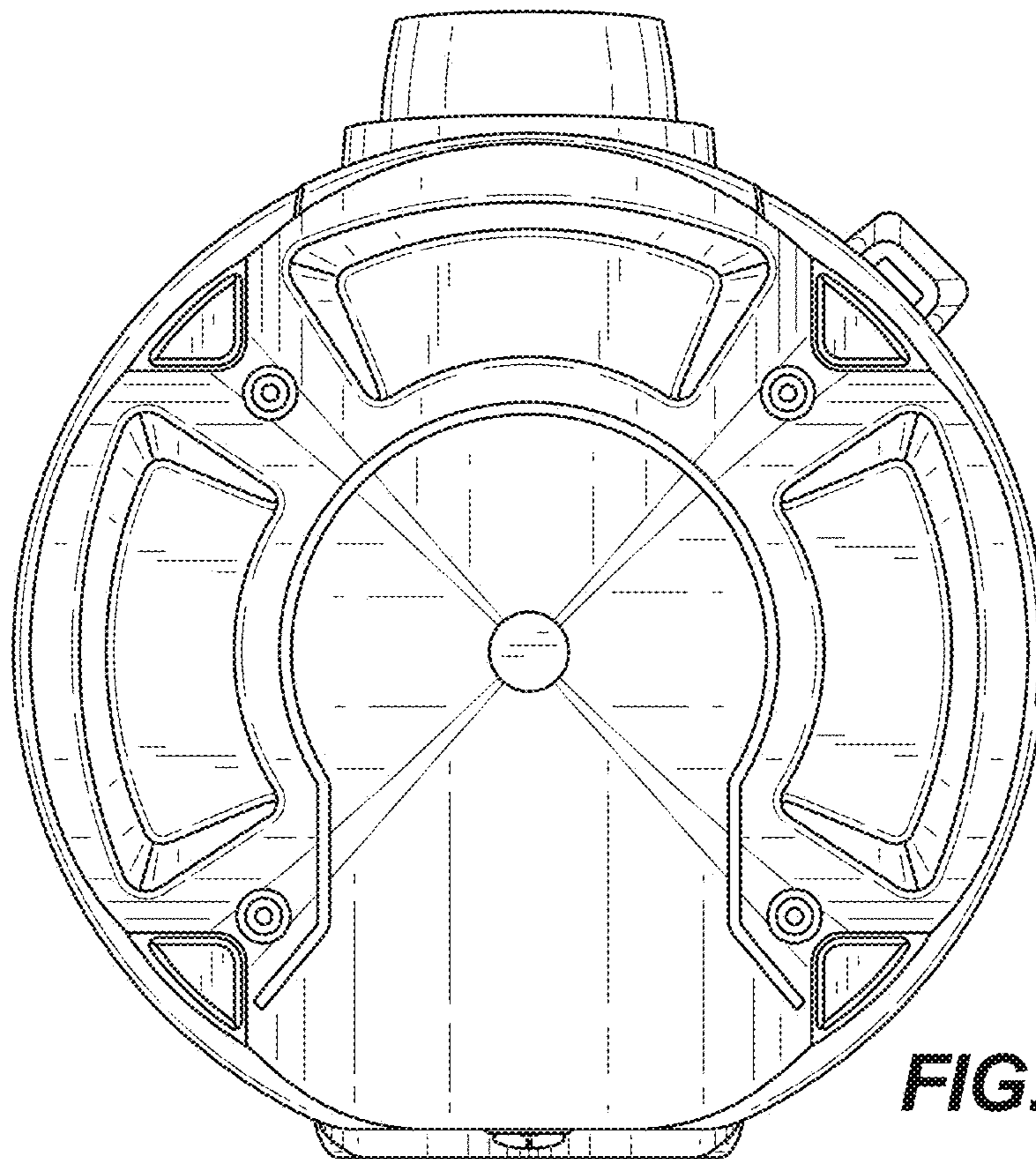


FIG. 8