



US00D953793S

(12) **United States Design Patent**
Murad

(10) **Patent No.:** **US D953,793 S**
(45) **Date of Patent:** **** Jun. 7, 2022**

- (54) **FRENCH DOOR OVEN**
- (71) Applicant: **Team International Group of America Inc.**, Miami Gardens, FL (US)
- (72) Inventor: **Uri Murad**, Hollywood, FL (US)
- (**) Term: **15 Years**
- (21) Appl. No.: **29/795,191**
- (22) Filed: **Jun. 17, 2021**

D910,363 S * 2/2021 Wong F24C 15/023
D7/350.4
2007/0039605 A1* 2/2007 Larsen F24C 15/023
126/191
2007/0039606 A1* 2/2007 Larsen F24C 15/022
126/197

(Continued)

Related U.S. Application Data

- (63) Continuation-in-part of application No. 29/715,055, filed on Nov. 27, 2019, now Pat. No. Des. 924,615.
- (51) **LOC (13) Cl.** **07-02**
- (52) **U.S. Cl.**
USPC **D7/350.1**
- (58) **Field of Classification Search**
USPC D7/323, 328, 332-337, 339, 340,
D7/347-351, 354, 387, 393, 396, 402,
D7/405-409
CPC A47J 37/00; A47J 37/06; A47J 37/0605;
A47J 37/0623; A47J 37/0629; A47J
37/0635; A47J 37/0641; A47J 37/0647;
A47J 37/0658; F24C 7/00; F24C 7/02;
F24C 7/04; F24C 15/02; F24C 15/021;
F24C 15/022; F24C 15/023; F24C
15/322; F24C 15/325
See application file for complete search history.

References Cited

U.S. PATENT DOCUMENTS

- (56) D677,971 S * 3/2013 Corriveau F24C 15/021
D7/351
- D699,504 S * 2/2014 Eades D7/351
- 9,255,712 B2 2/2016 Yantis et al.

OTHER PUBLICATIONS

Design No. 306860536, Feb. 5, 2021—China National Intellectual Property Administration (CNIPA) Publication Date—Oct. 1, 2021 Owner—Ningbo Manhua Electric Appliance Co Ltd, Designer—Sun Yizhou, et al. WIPO, available at <https://www3.wipo.int/designdb/en/index.jsp> (Year: 2021).*

(Continued)

Primary Examiner — Mary Ann Calabrese
Assistant Examiner — Natalya M Rapundalo
(74) *Attorney, Agent, or Firm* — Frank Marino

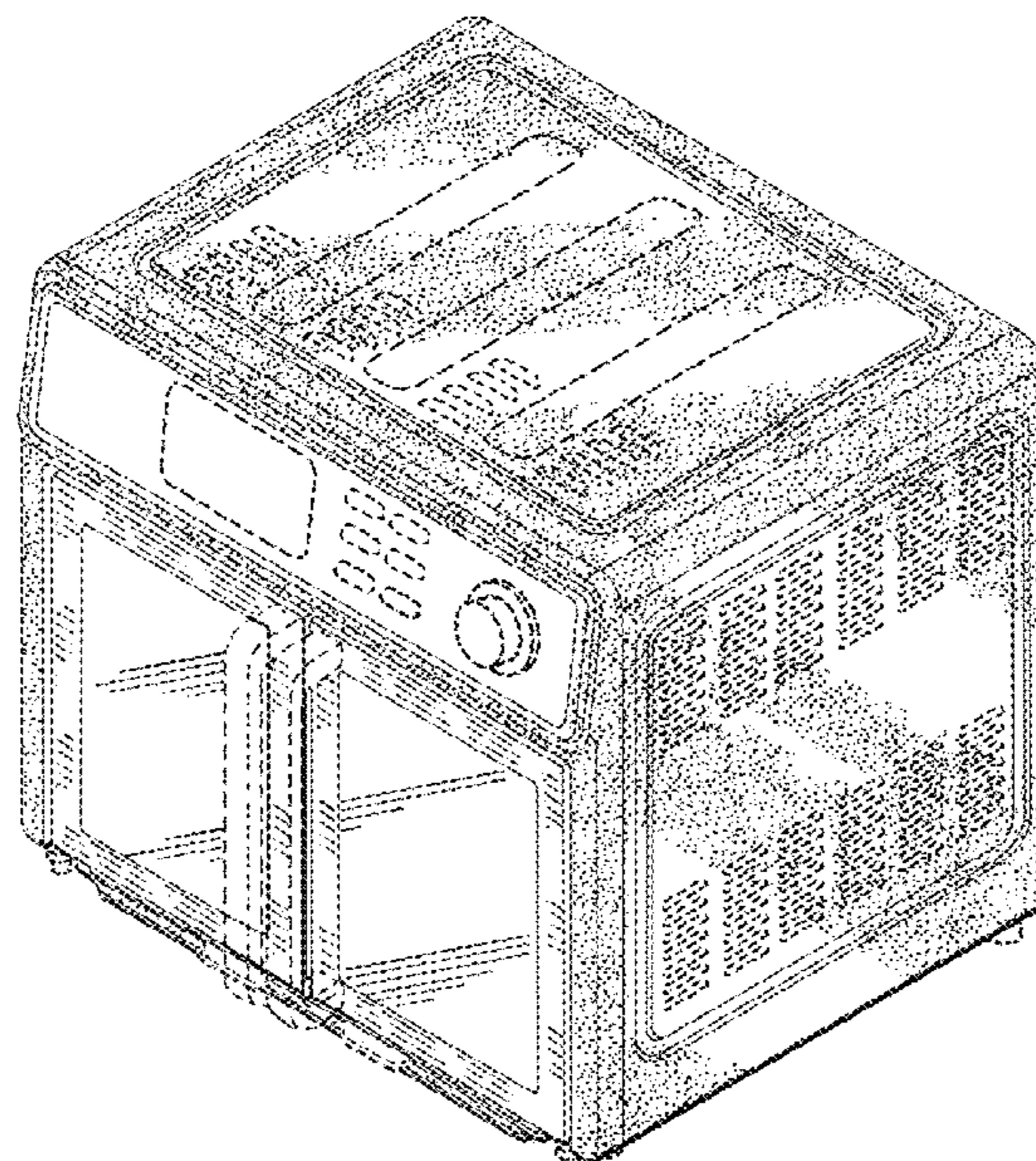
(57) **CLAIM**

The ornamental design for a French door oven, as shown and described.

DESCRIPTION

FIG. 1 is a perspective view of the French door oven according to my new design;
FIG. 2 is a front view of the French door oven of FIG. 1;
FIG. 3 is a cross-sectional view taken at Line 3-3 of FIG. 2;
FIG. 4 is a left side view of the French door oven of FIG. 1, the right side view being a mirror image thereof;
FIG. 5 is a cross-sectional view taken at Line 5-5 of FIG. 4;
FIG. 6 is a top view of the French door oven of FIG. 1;
FIG. 7 is a cross-sectional view taken at Line 7-7 of FIG. 6;
FIG. 8 is a bottom view of the French door oven of FIG. 1; and,
FIG. 9 is a rear view of the French door oven of FIG. 1.
The broken lines show portions of the French door oven and environment and form no part of the claimed design.

1 Claim, 3 Drawing Sheets



(56)

References Cited

U.S. PATENT DOCUMENTS

2009/0145031 A1* 6/2009 Collene F24C 15/023
49/113
2016/0356506 A1* 12/2016 McKee F24C 15/322
2017/0051922 A1* 2/2017 Kaiser F24C 15/021
2021/0270467 A1* 9/2021 Murad F24C 15/325
2021/0293414 A1* 9/2021 Diggins F24C 15/322
2021/0372630 A1* 12/2021 Murad F24C 15/02
2022/0065459 A1* 3/2022 Murad F24C 7/085

OTHER PUBLICATIONS

Kalorik MAXX 26 Quart Digital Air Fryer Oven Grill Deluxe, Kalorik, [online], [site visited Feb. 10, 2022], Available from internet URL: <https://www.kalorik.com/collections/maxx@-air-fryer-ovens-1/products/kalorik-maxx-26-quart-digital-air-fryer-oven-grill-deluxe-stainless-steel> (Year: 2022).*

* cited by examiner

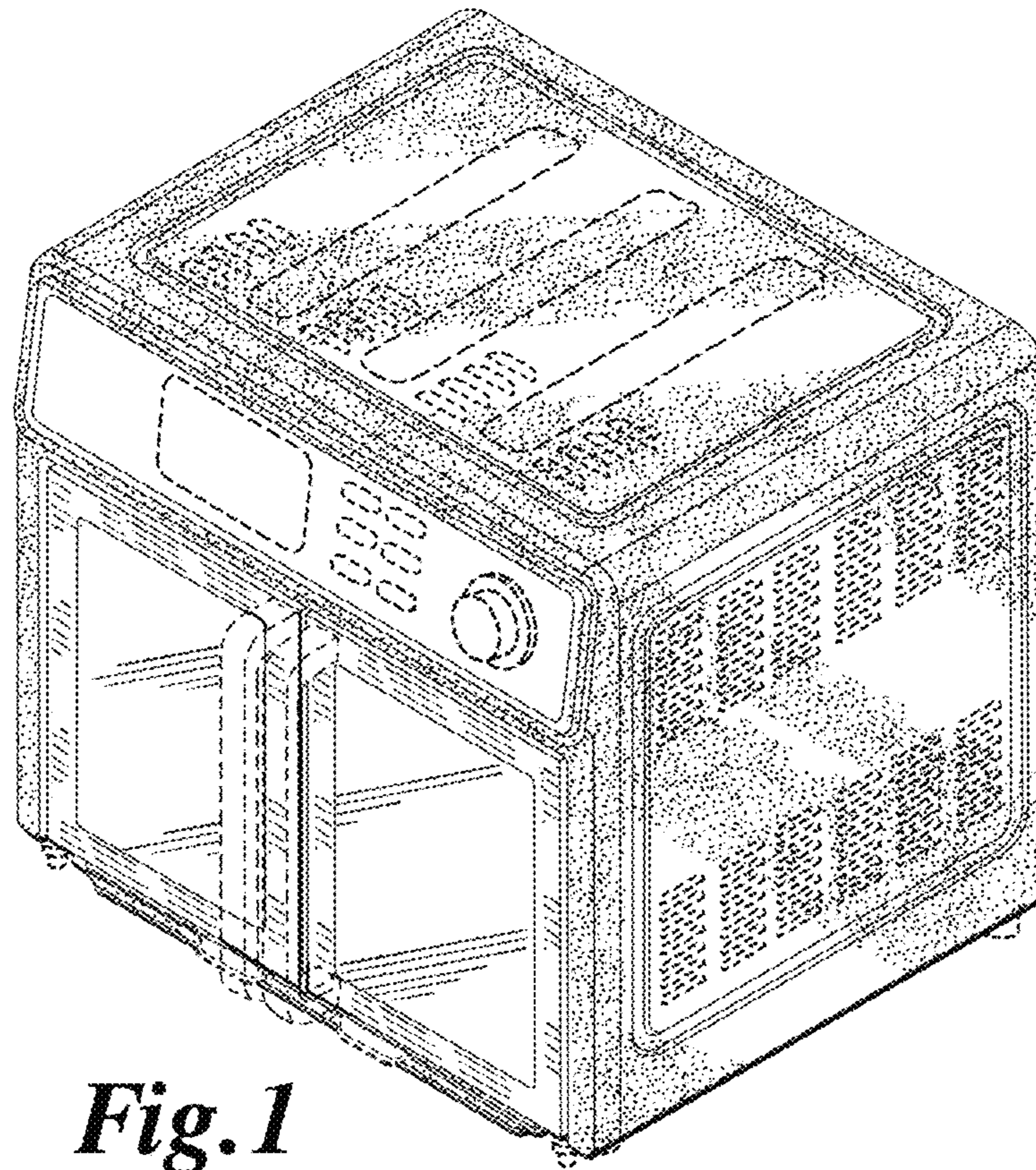


Fig. 1

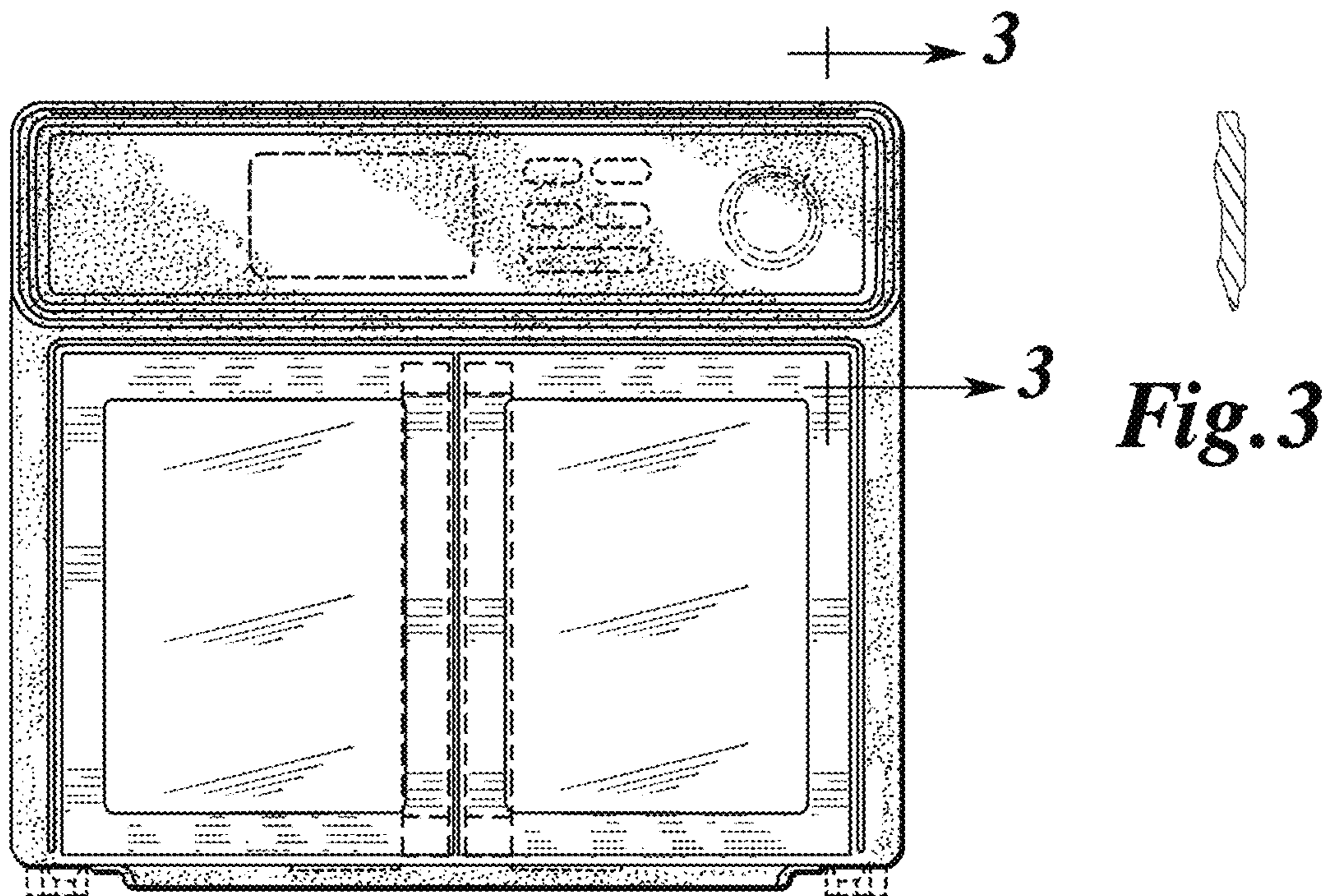


Fig. 2

Fig. 3

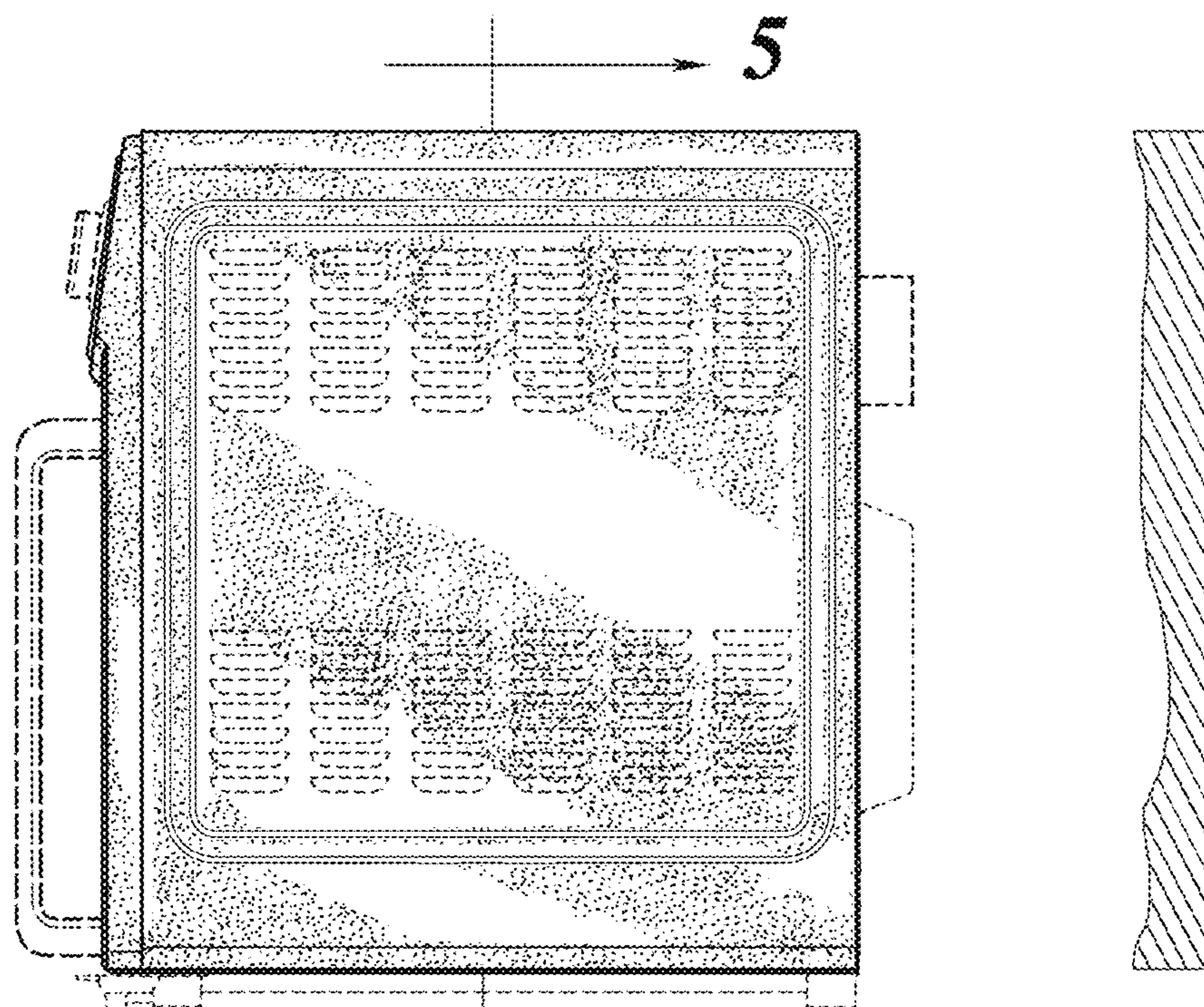


Fig. 4

Fig. 5

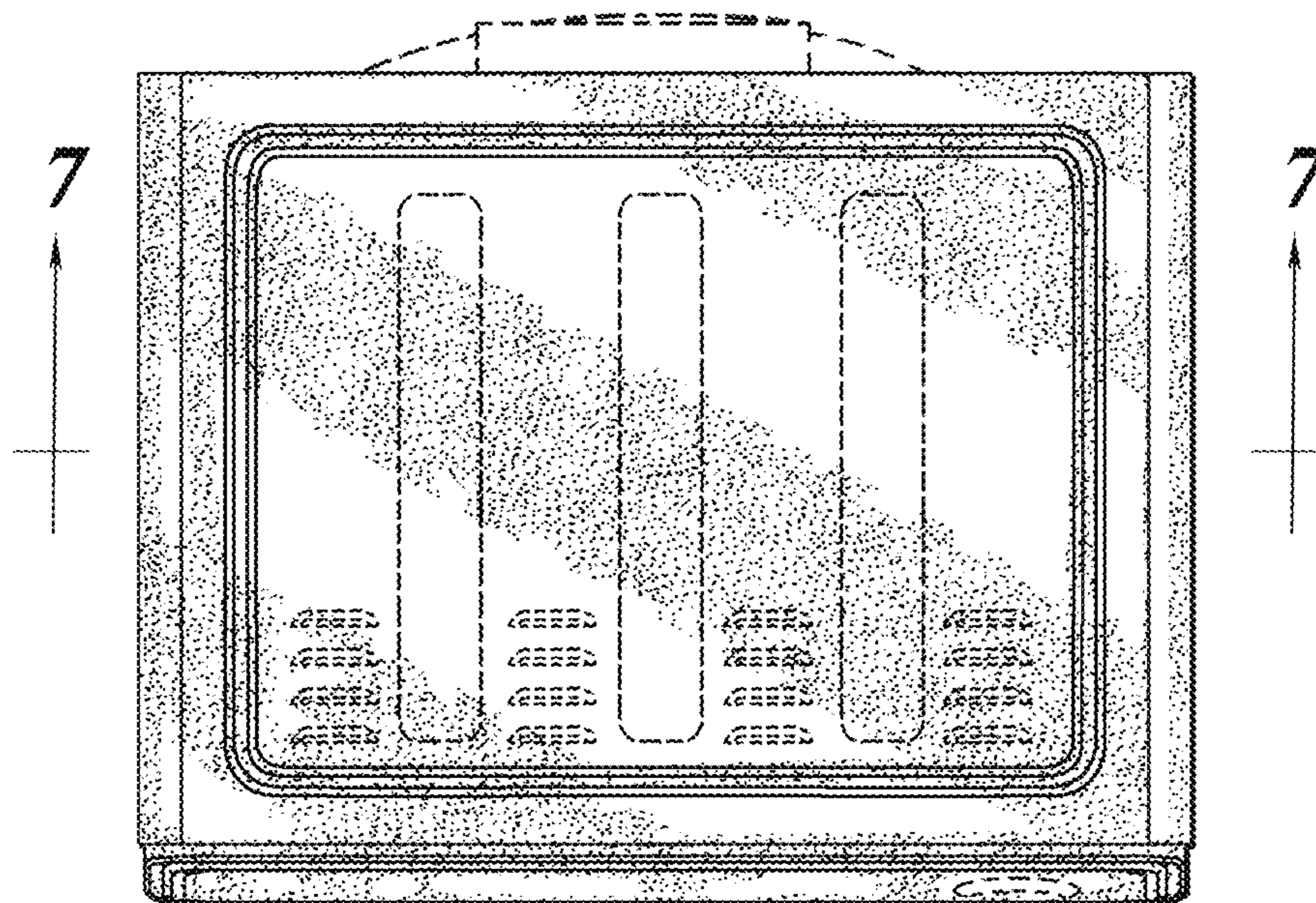


Fig. 6

Fig. 7

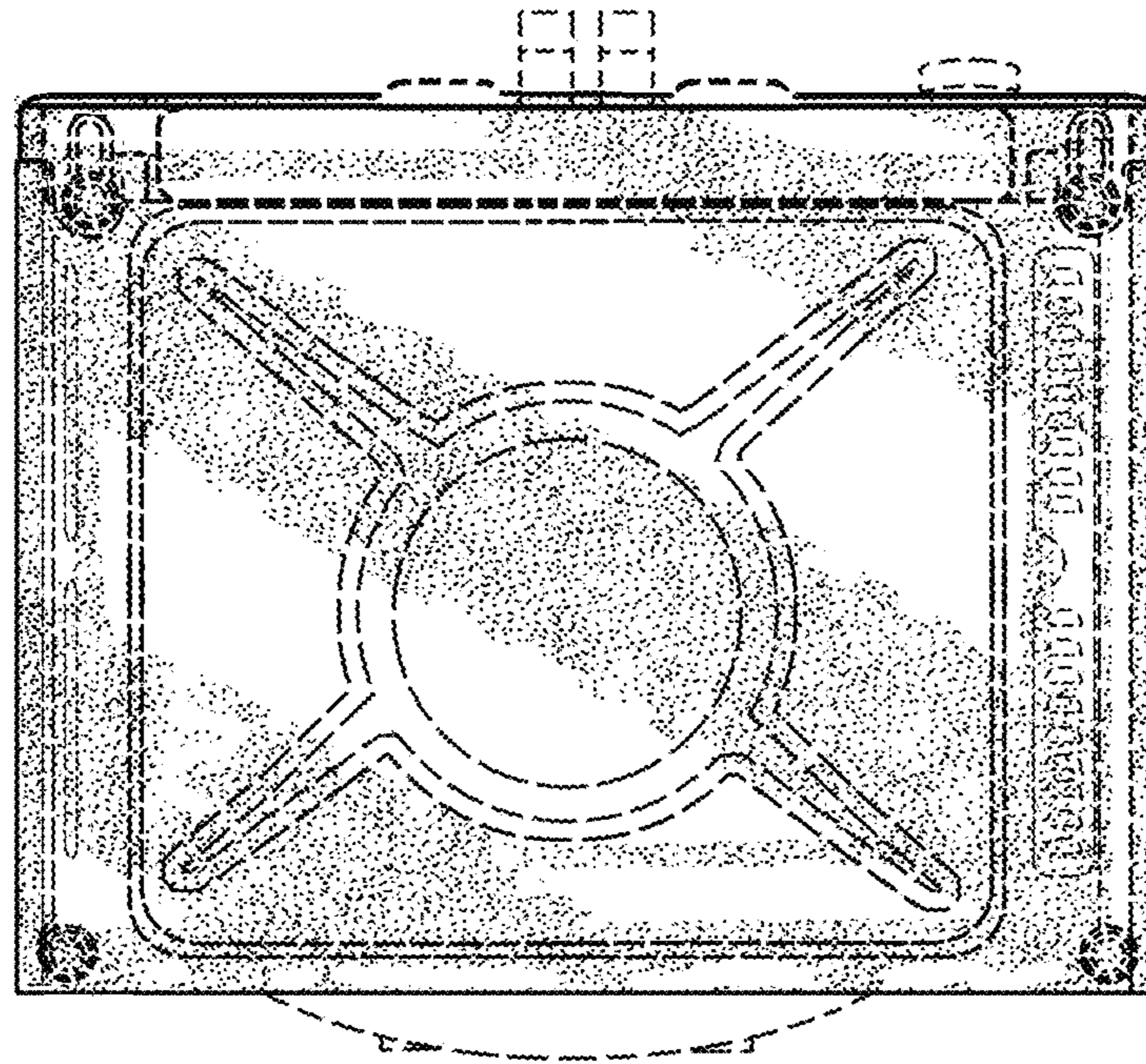


Fig. 8

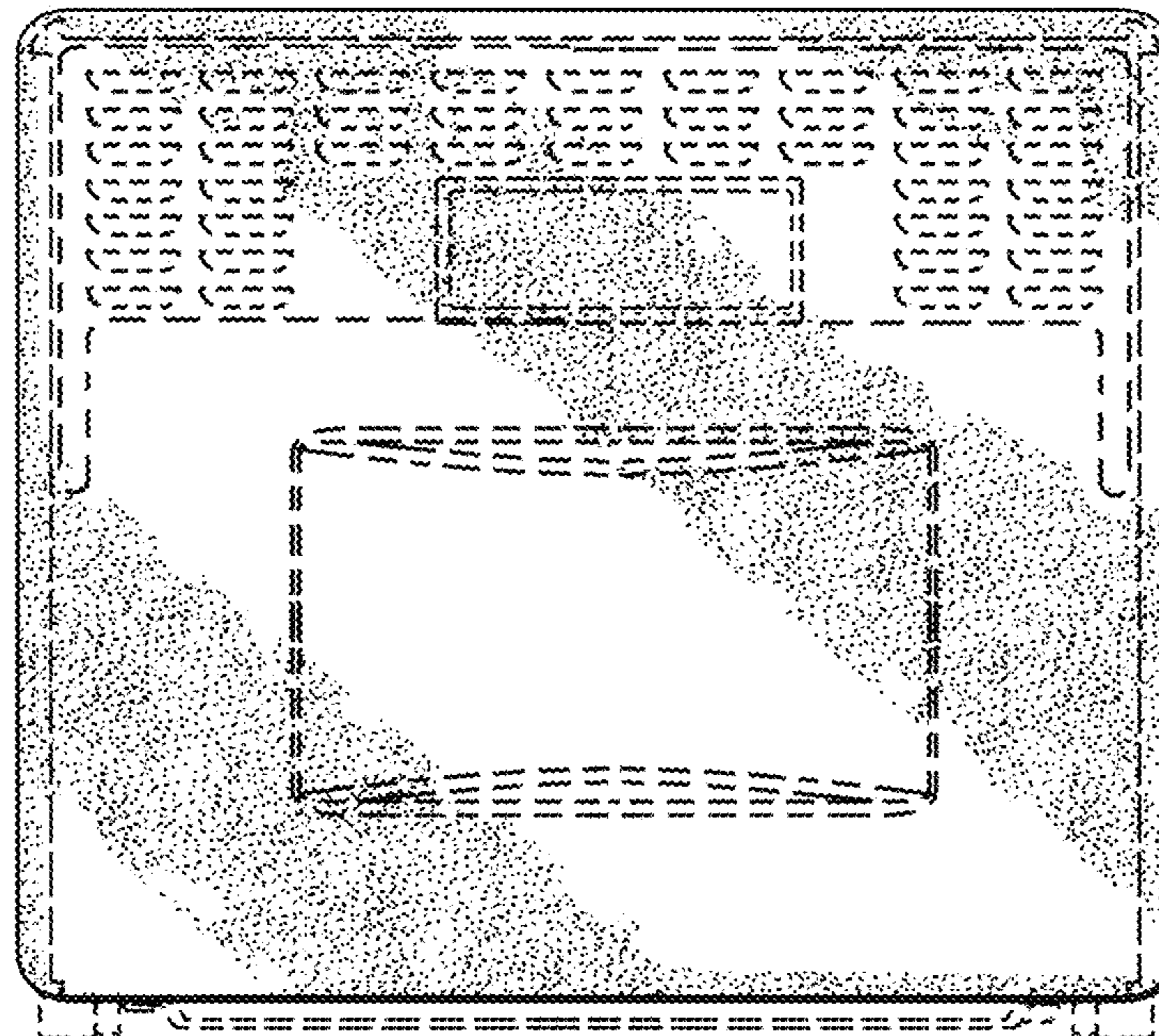


Fig. 9