



US00D953789S

(12) **United States Design Patent** (10) **Patent No.:** **US D953,789 S**
Avigdor et al. (45) **Date of Patent:** **** Jun. 7, 2022**

(54) **SODA-WATER PREPARING DEVICE** D594,688 S * 6/2009 Hammad D7/306
D600,493 S * 9/2009 Pino D7/306
(71) Applicant: **SODASTREAM INDUSTRIES LTD.,** D634,962 S * 3/2011 Butler D7/306
Kfar Saba (IL) D724,883 S * 3/2015 Lamb D7/306
D734,635 S * 7/2015 Behar D7/306
(72) Inventors: **Amit Avigdor,** Tel Aviv (IL); **Allan** D799,879 S * 10/2017 Shmueli D7/306
Ring, Mercaz Shapira (IL); **Oded Gov,** D854,363 S * 7/2019 Behrmann D7/306
Tel Aviv (IL) D856,058 S * 8/2019 Szabo D7/306
D893,234 S * 8/2020 Broen D7/306

(73) Assignee: **SodaStream Industries Ltd.,** Kfar Saba (IL)

(**) Term: **15 Years**

(21) Appl. No.: **35/510,710**

(22) Filed: **Oct. 21, 2020**

(80) **Hague Agreement Data**

Int. Filing Date: **Oct. 21, 2020**
Int. Reg. No.: **DM/211081**
Int. Reg. Date: **Oct. 21, 2020**
Int. Reg. Pub. Date: **Nov. 13, 2020**

(30) **Foreign Application Priority Data**

Apr. 21, 2020 (IL) 64950

(51) **LOC (13) Cl.** **07-01**

(52) **U.S. Cl.**
USPC **D7/306**

(58) **Field of Classification Search**
USPC D7/306, 310, 311, 313, 332, 400, 402,
D7/523, 524, 589, 608, 679
CPC A47J 31/407; A47J 31/46; A47J 31/44
See application file for complete search history.

(56) **References Cited**

U.S. PATENT DOCUMENTS

D376,949 S * 12/1996 Barriault D7/306
D442,010 S * 5/2001 Collin D7/300

OTHER PUBLICATIONS

Walmart website, SodaStream Terra, Earliest comment date Aug. 26, 2021, [site visited Dec. 16, 2021], Available on the internet URL <https://www.walmart.com/ip/SodaStream-Terra-Sparkling-Water-Maker-Red/730646599> (Year: 2021).*

* cited by examiner

Primary Examiner — S. Bryan Reinholdt, Jr.
(74) *Attorney, Agent, or Firm* — Pearl Cohen Zedek Latzer Baratz LLP

(57) **CLAIM**

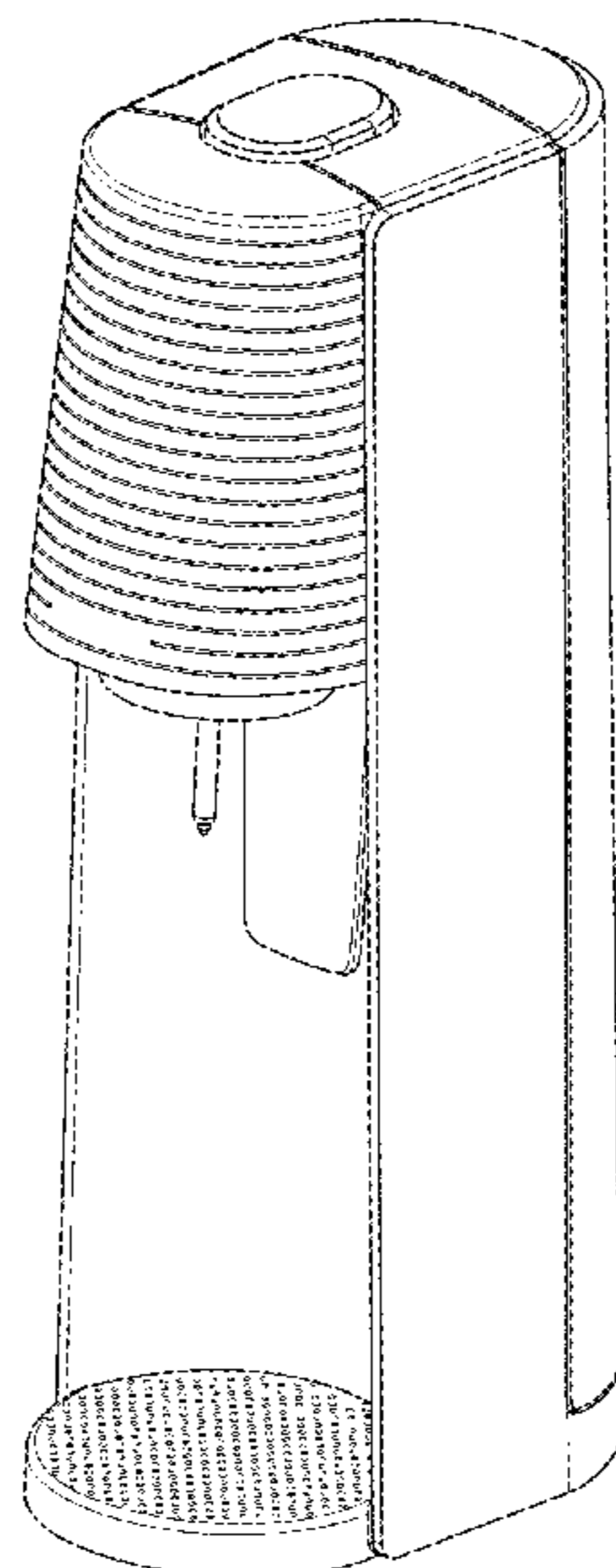
The ornamental design for a soda-water preparing device, as shown and described.

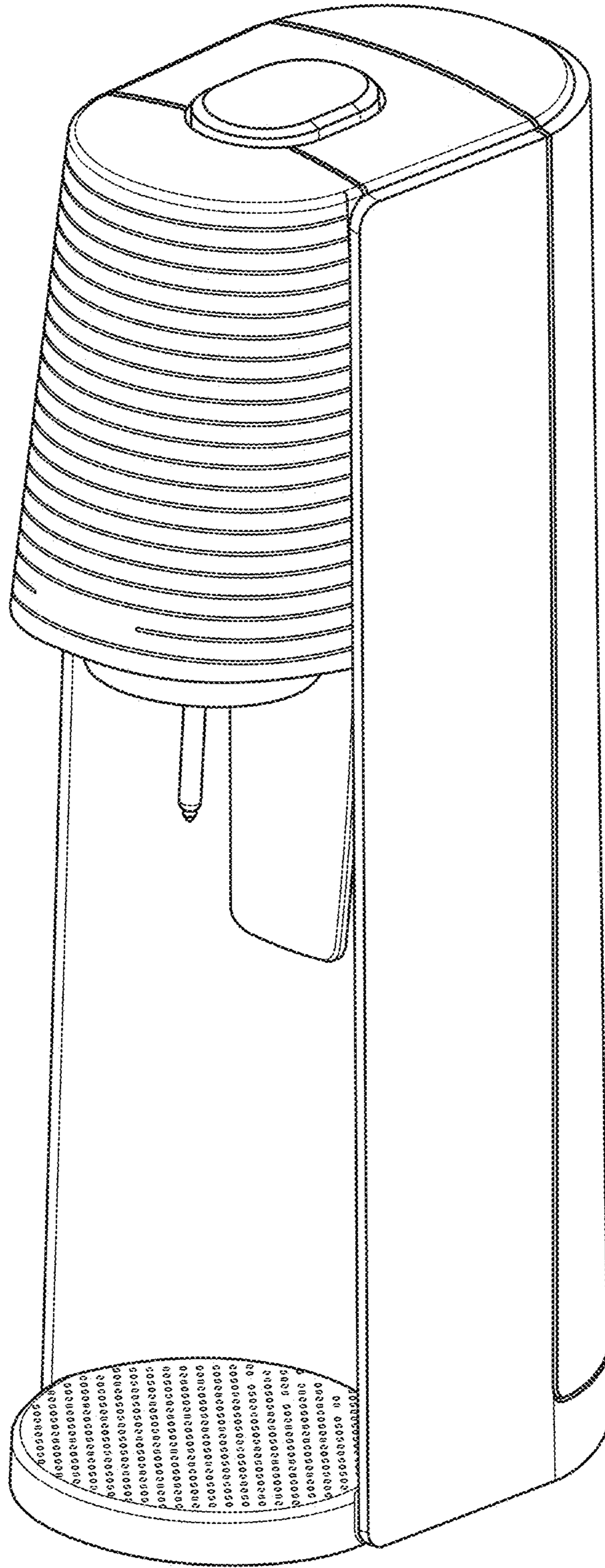
DESCRIPTION

- 1. Soda-water preparing device
- 1.1 : Perspective
- 1.2 : Front
- 1.3 : Back
- 1.4 : Right
- 1.5 : Left
- 1.6 : Top
- 1.7 : Bottom

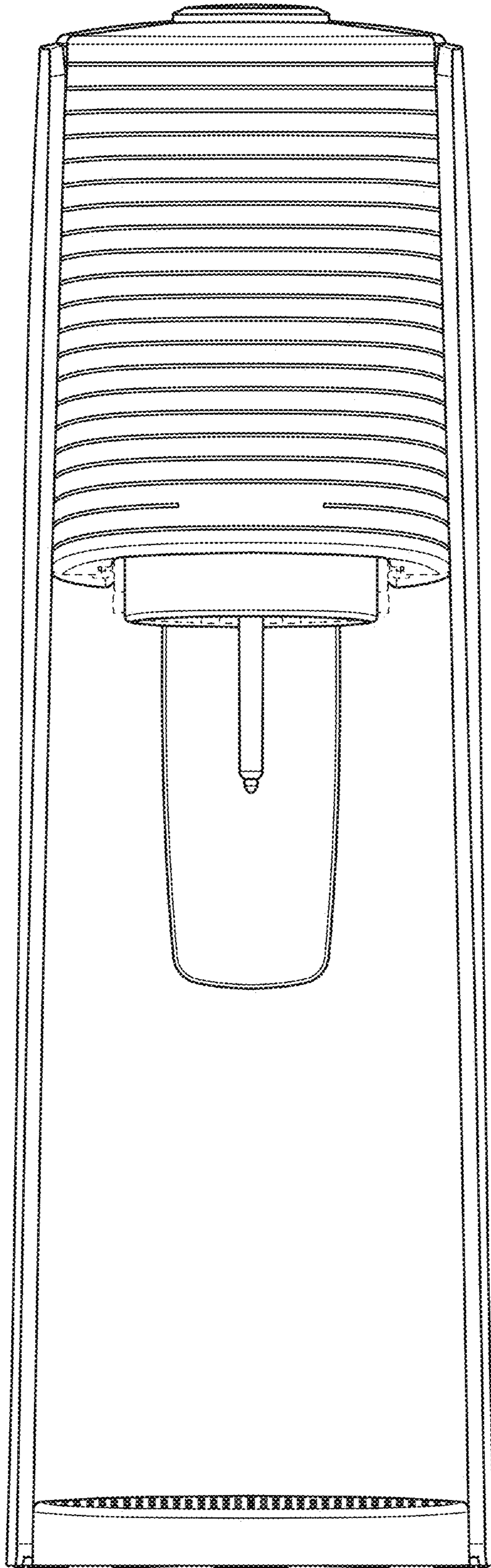
The broken lines and the areas within them depict portions of the soda-water preparing device that form no part of the claimed design.

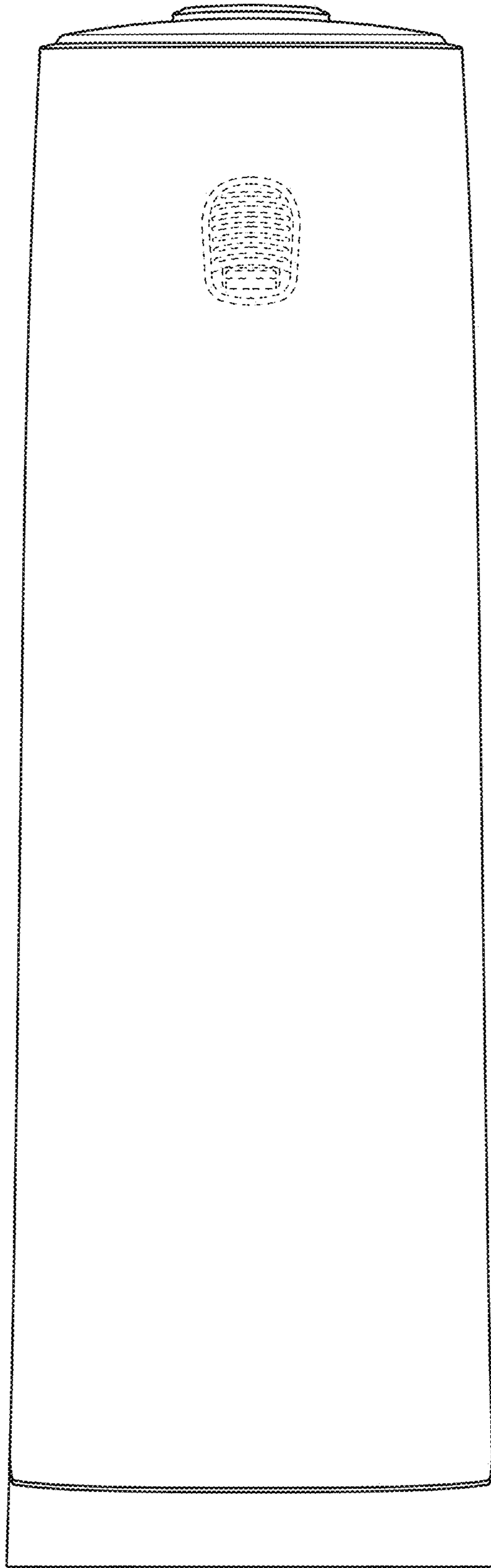
1 Claim, 7 Drawing Sheets

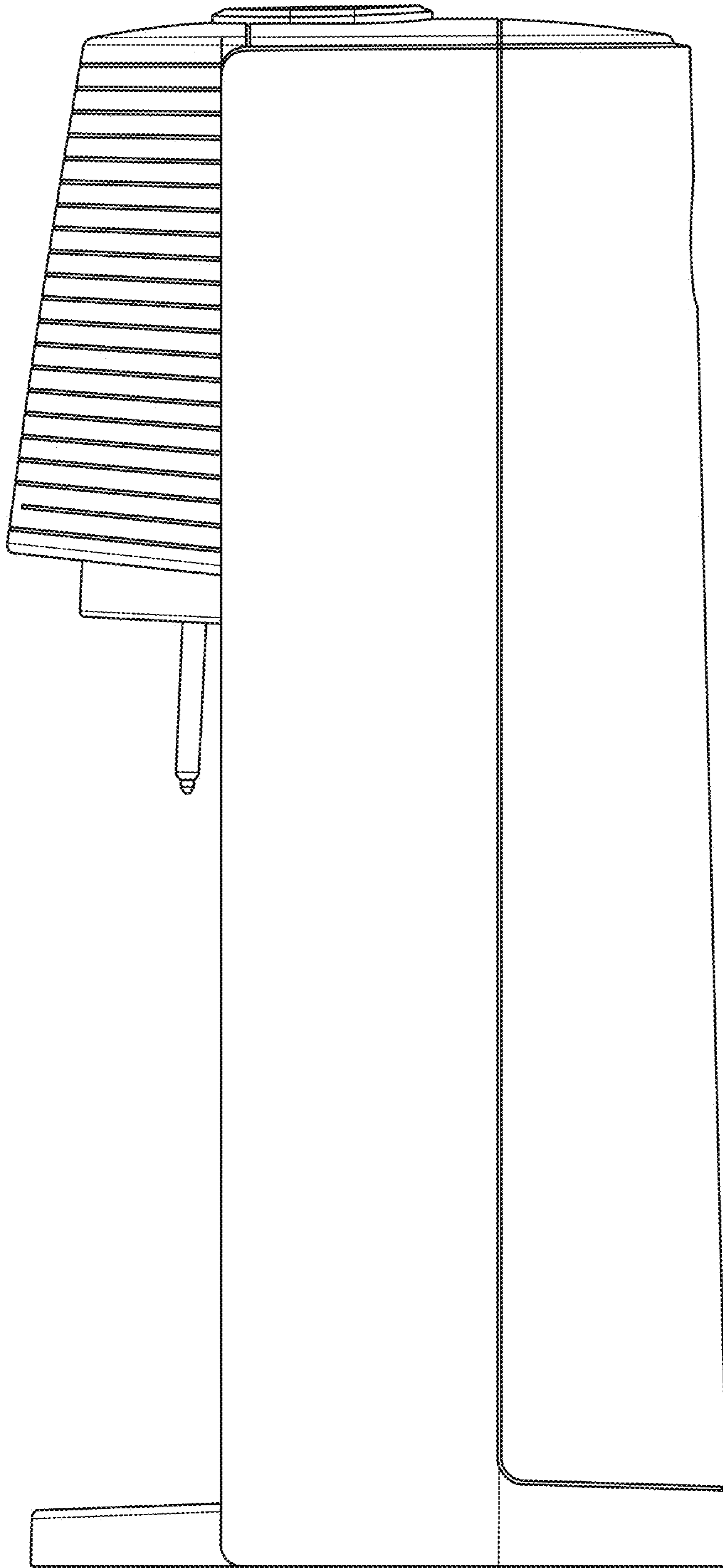


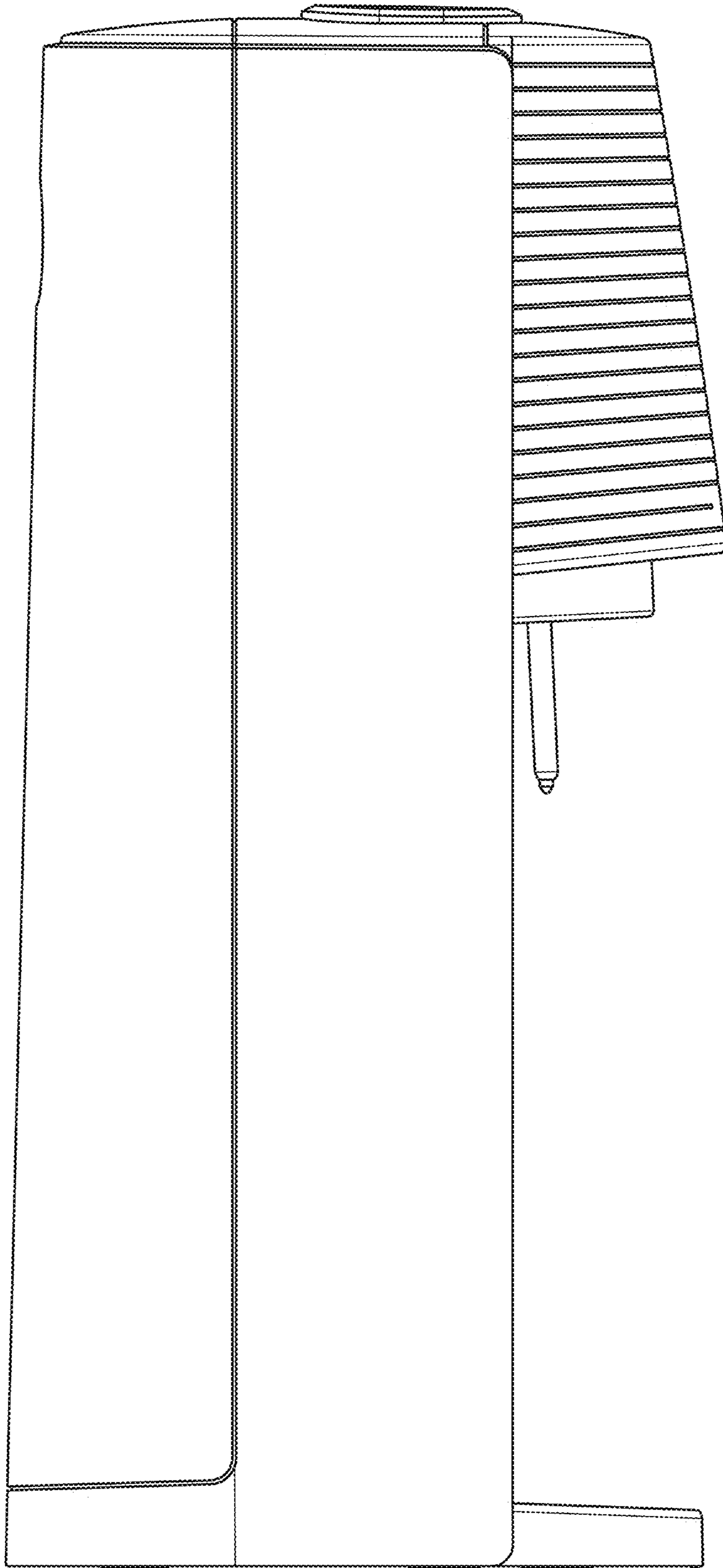


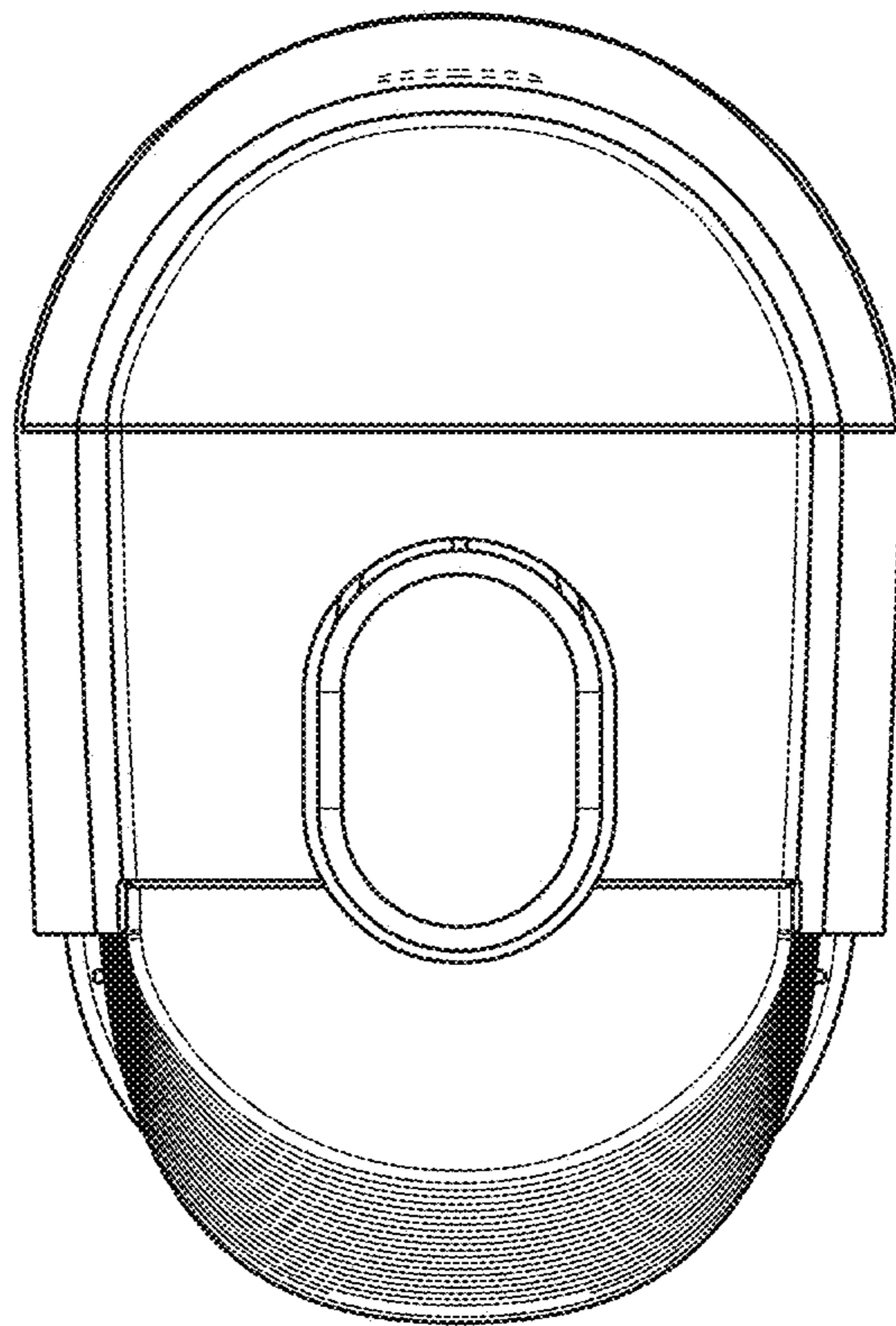
1.1



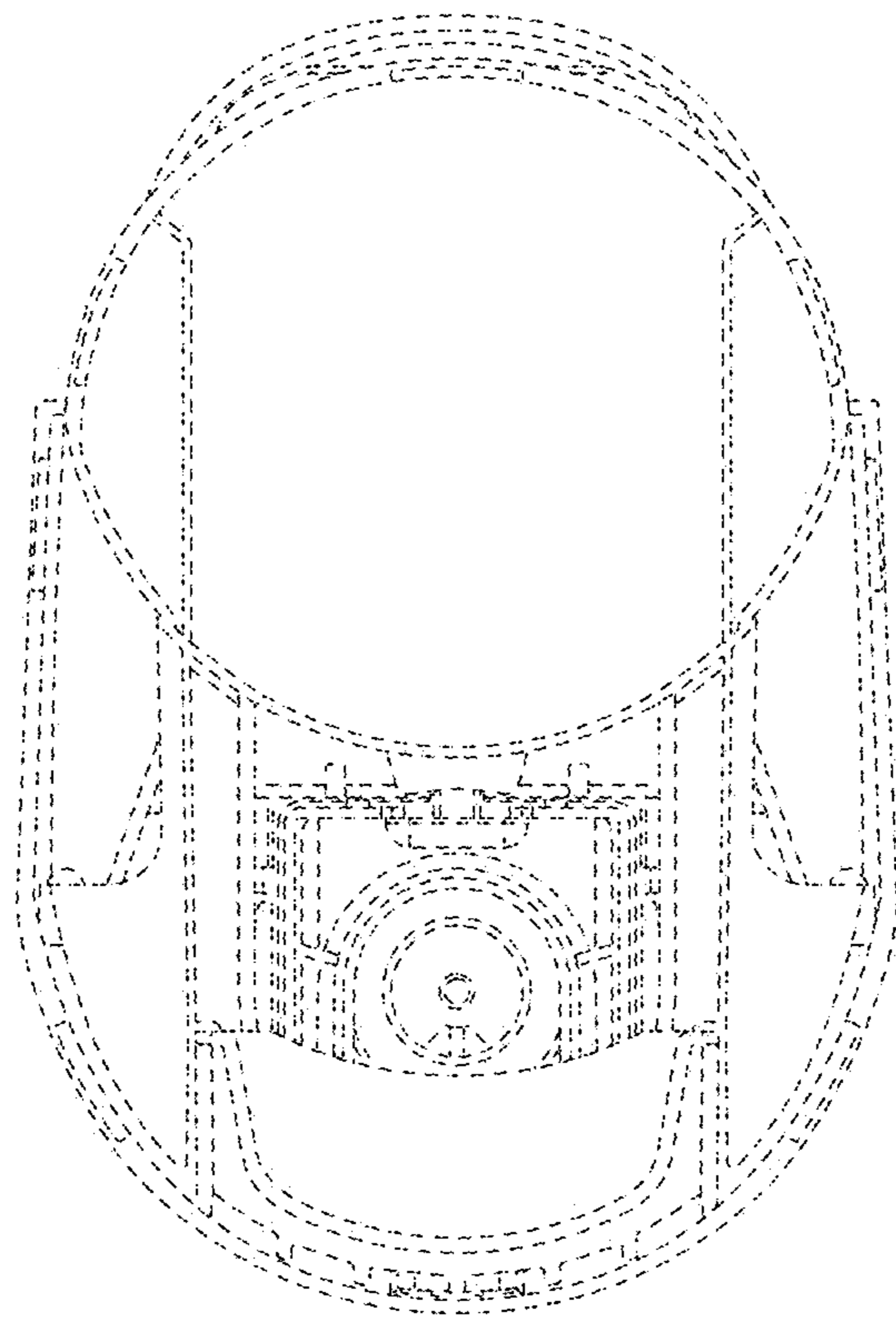








1.6



1.7