



US00D953788S

(12) **United States Design Patent** (10) **Patent No.:** **US D953,788 S**  
**Zhao** (45) **Date of Patent:** **\*\* Jun. 7, 2022**

(54) **BED RAIL**

(71) Applicant: **Yun Zhao**, Shanghai (CN)

(72) Inventor: **Yun Zhao**, Shanghai (CN)

(\*\*) Term: **15 Years**

(21) Appl. No.: **29/777,655**

(22) Filed: **Apr. 7, 2021**

(51) **LOC (13) Cl.** ..... **06-06**

(52) **U.S. Cl.**  
USPC ..... **D6/718.3**

(58) **Field of Classification Search**  
USPC ..... D6/391, 718, 718.3  
CPC .... A47C 21/08; A47C 19/005; A61G 7/0507;  
A47D 15/008

See application file for complete search history.

(56) **References Cited**

**U.S. PATENT DOCUMENTS**

- 2,904,799 A \* 9/1959 Berlin ..... A47D 15/008  
5/426
- 5,671,490 A \* 9/1997 Wu ..... A61G 7/0507  
5/426
- D391,792 S \* 3/1998 Scherer ..... D6/718.3
- 5,761,756 A \* 6/1998 Nowak ..... A47C 21/08  
5/426
- 5,781,945 A \* 7/1998 Scherer ..... A47C 21/08  
5/426
- D397,882 S \* 9/1998 Wu ..... D6/331
- 6,453,490 B1 \* 9/2002 Cardinale ..... A61G 7/0507  
5/426
- 6,990,697 B1 \* 1/2006 Clute ..... A61G 7/0518  
5/426
- D708,467 S \* 7/2014 Zakel ..... D6/718.3
- D718,968 S \* 12/2014 Zakel ..... D6/718.3
- D747,907 S \* 1/2016 Marcuello ..... D6/718.3
- 9,387,141 B1 \* 7/2016 Flannery ..... A61G 7/0507
- D798,641 S \* 10/2017 Miller ..... D6/718.3

- 10,993,544 B1 \* 5/2021 Flannery ..... A47C 21/08
- 2004/0123387 A1 \* 7/2004 Marsden ..... A61G 7/0509  
5/426
- 2011/0179569 A1 \* 7/2011 Hayano ..... A47D 15/008  
5/426
- 2012/0084916 A1 \* 4/2012 Flannery ..... A47D 15/00  
5/426
- 2016/0213167 A1 \* 7/2016 Gin ..... A47D 15/008

**OTHER PUBLICATIONS**

“Bed Rail for Toddlers.” Found online Feb. 11, 2022 at www.amazon.com. Product first available Nov. 20, 2017. Retrieved from URL: <https://www.amazon.com/Bed-Rails-Toddlers-Mattress-Children/dp/B077MT92YD> (Year: 2017).\*

“Baby Bed Rail Extra Large With Ventilated Mesh Guardrail.” Found online Feb. 11, 2022 at www.amazon.ae. Product first available Oct. 6, 2019. Retrieved from URL: <https://www.amazon.ae/Ventilated-Guardrail-All-round-Protection-Convertible/dp/B07YRC3YH6> (Year: 2019).\*

(Continued)

*Primary Examiner* — Mary Ann Calabrese

*Assistant Examiner* — Katelin G Kloberg

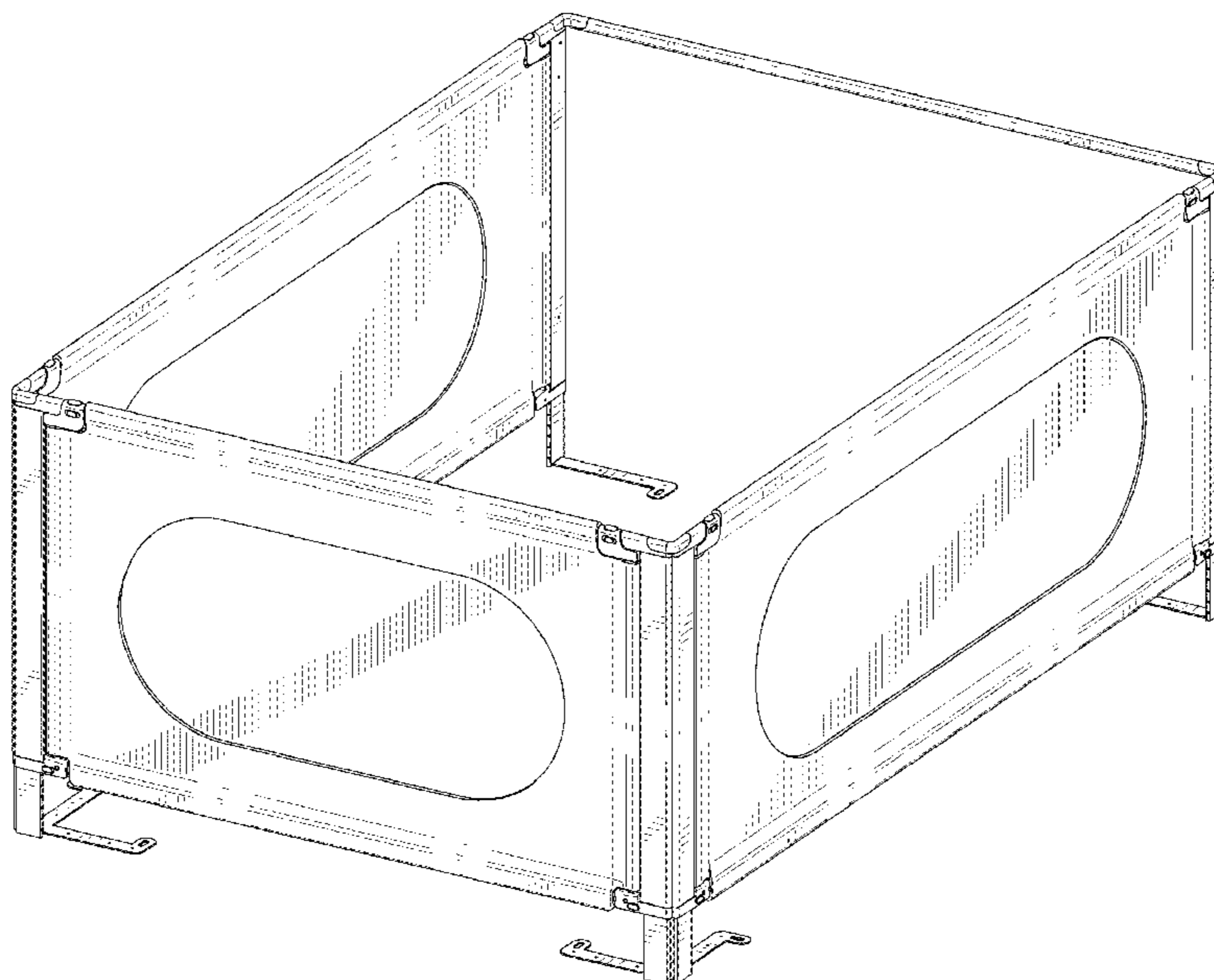
(57) **CLAIM**

The ornamental design for a bed rail, as shown and described.

**DESCRIPTION**

FIG. 1 is a perspective view of a bed rail showing my new design;  
FIG. 2 is a top view thereof;  
FIG. 3 is a bottom view thereof;  
FIG. 4 is a left side view thereof;  
FIG. 5 is a right side view thereof;  
FIG. 6 is a front view thereof; and,  
FIG. 7 is a back view thereof.

**1 Claim, 7 Drawing Sheets**



(56)

**References Cited**

OTHER PUBLICATIONS

“15 Bed Guard Rails for Children.” Found online Feb. 11, 2022 at [www.mymumanddaughter.com](http://www.mymumanddaughter.com). Page dated Mar. 23, 2020. Retrieved from URL: <https://mymumanddaughter.com/bed-guard-rails-for-children/> (Year: 2020).\*

“Bed Rails forToddlers.” Found online Feb. 11, 2022 at [www.amazon.com](http://www.amazon.com). Product first available Aug. 27, 2021. Retrieved from URL: <https://www.amazon.com/Rails-Toddlers-Extra-Specially-Designed/dp/B09DSH72J9> (Year: 2021).\*

\* cited by examiner

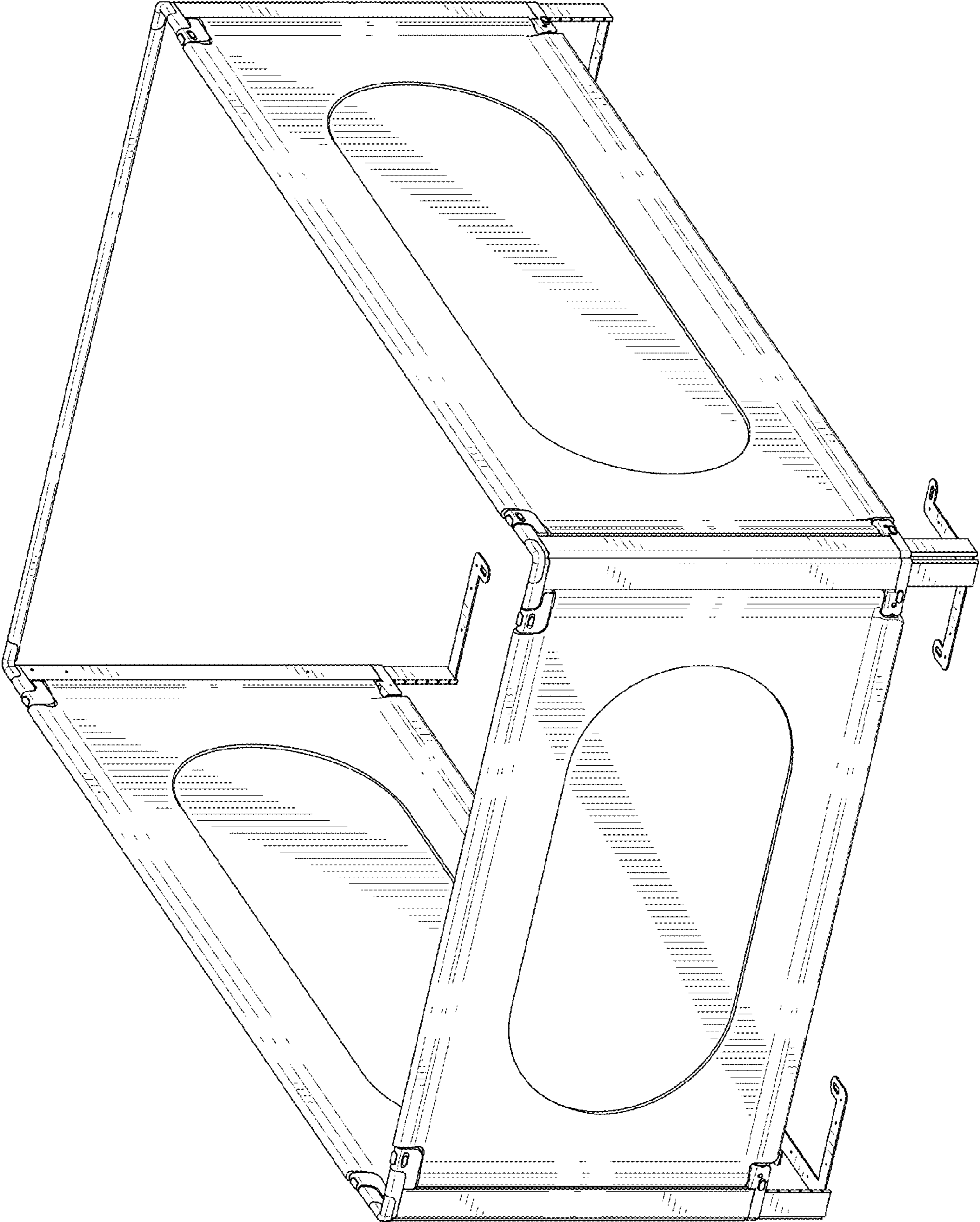


FIG. 1

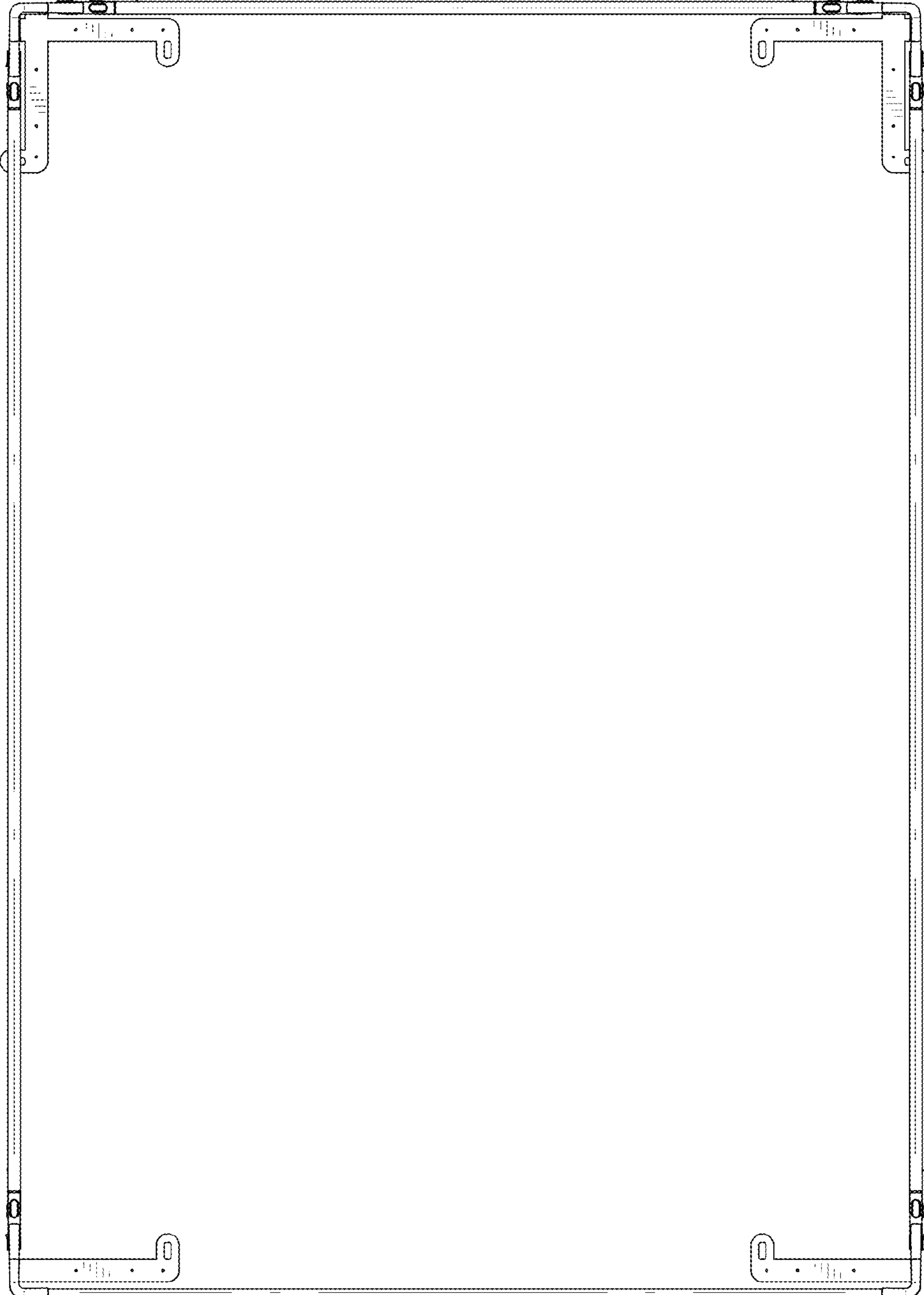


FIG. 2

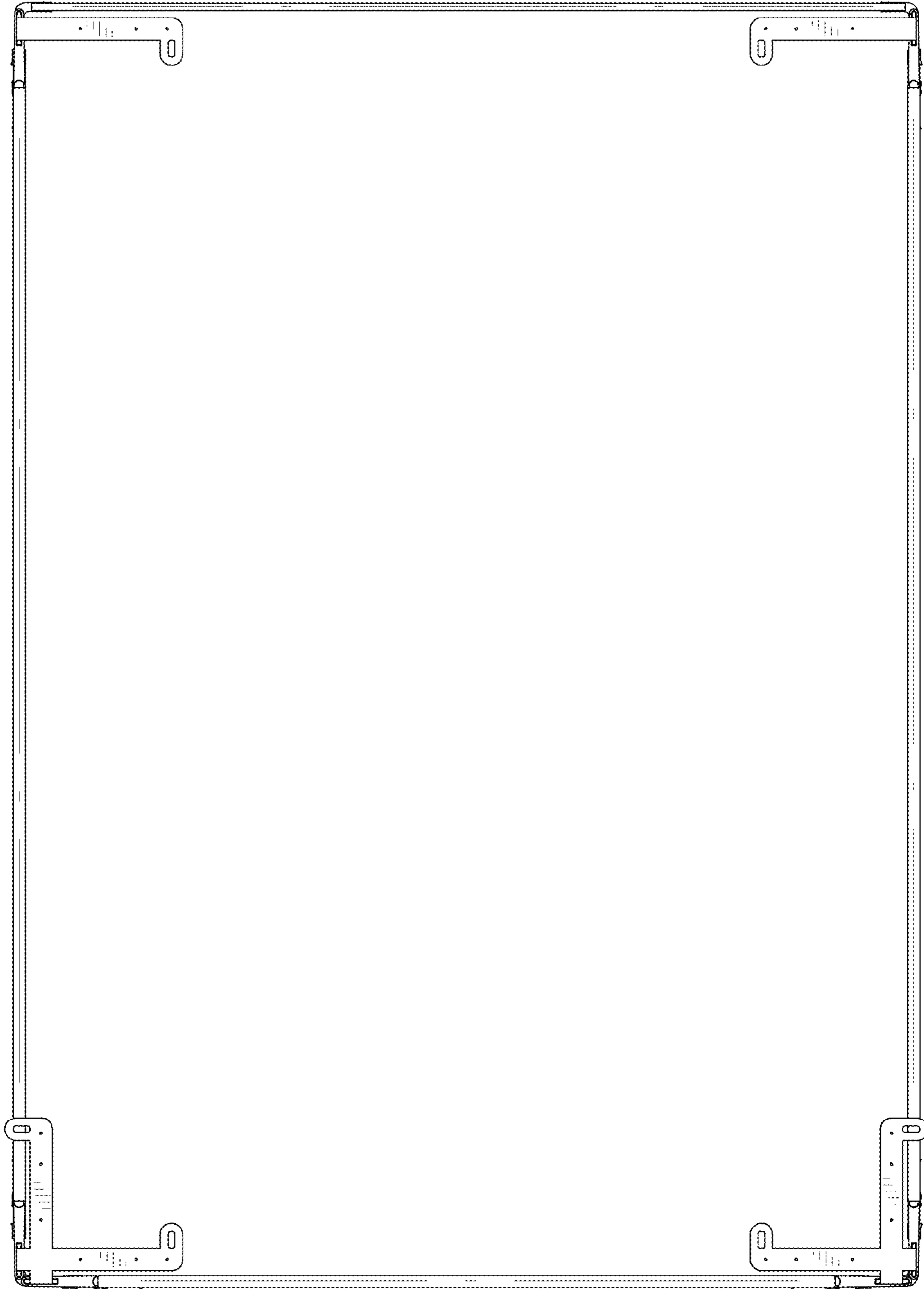


FIG. 3

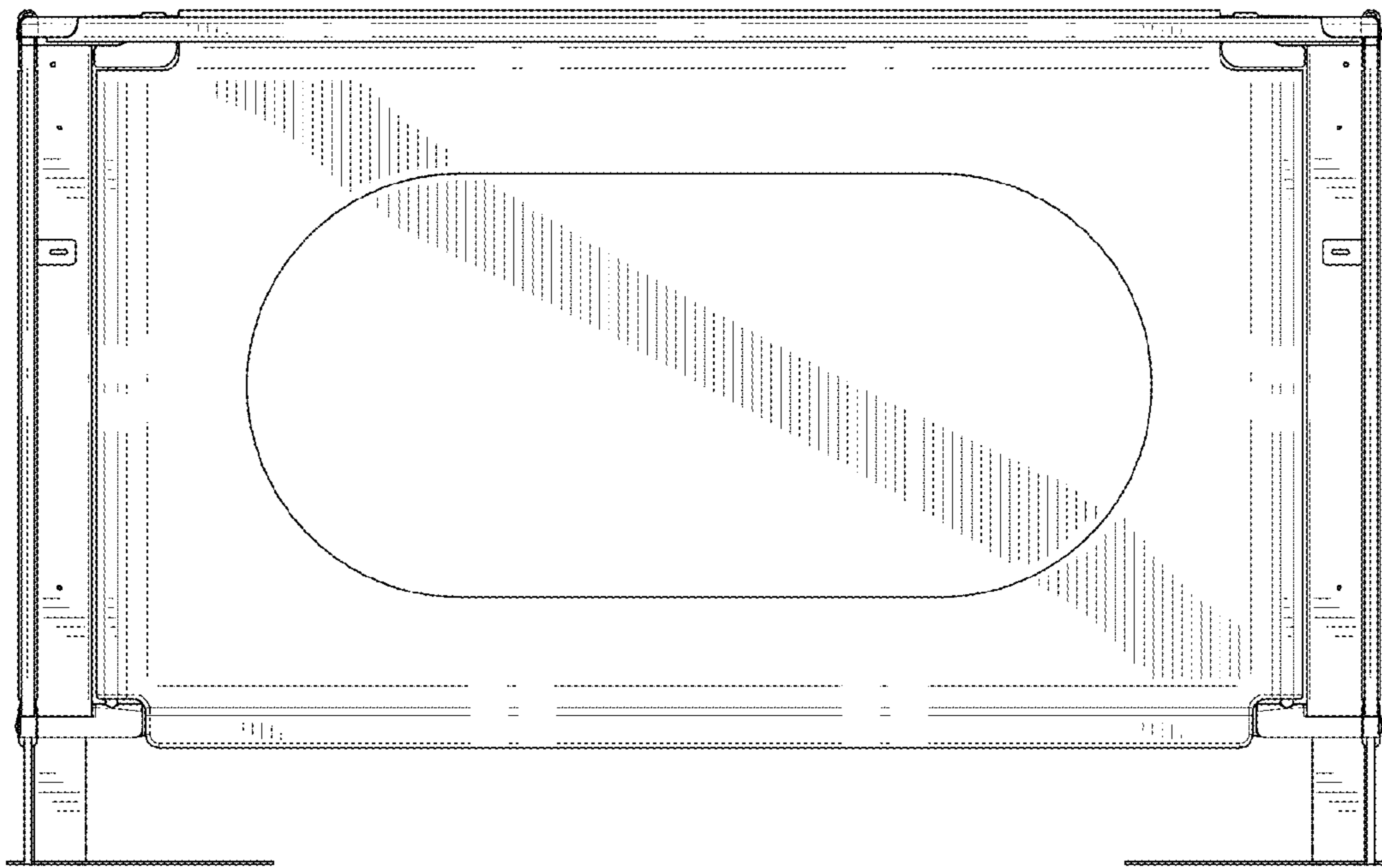


FIG. 4

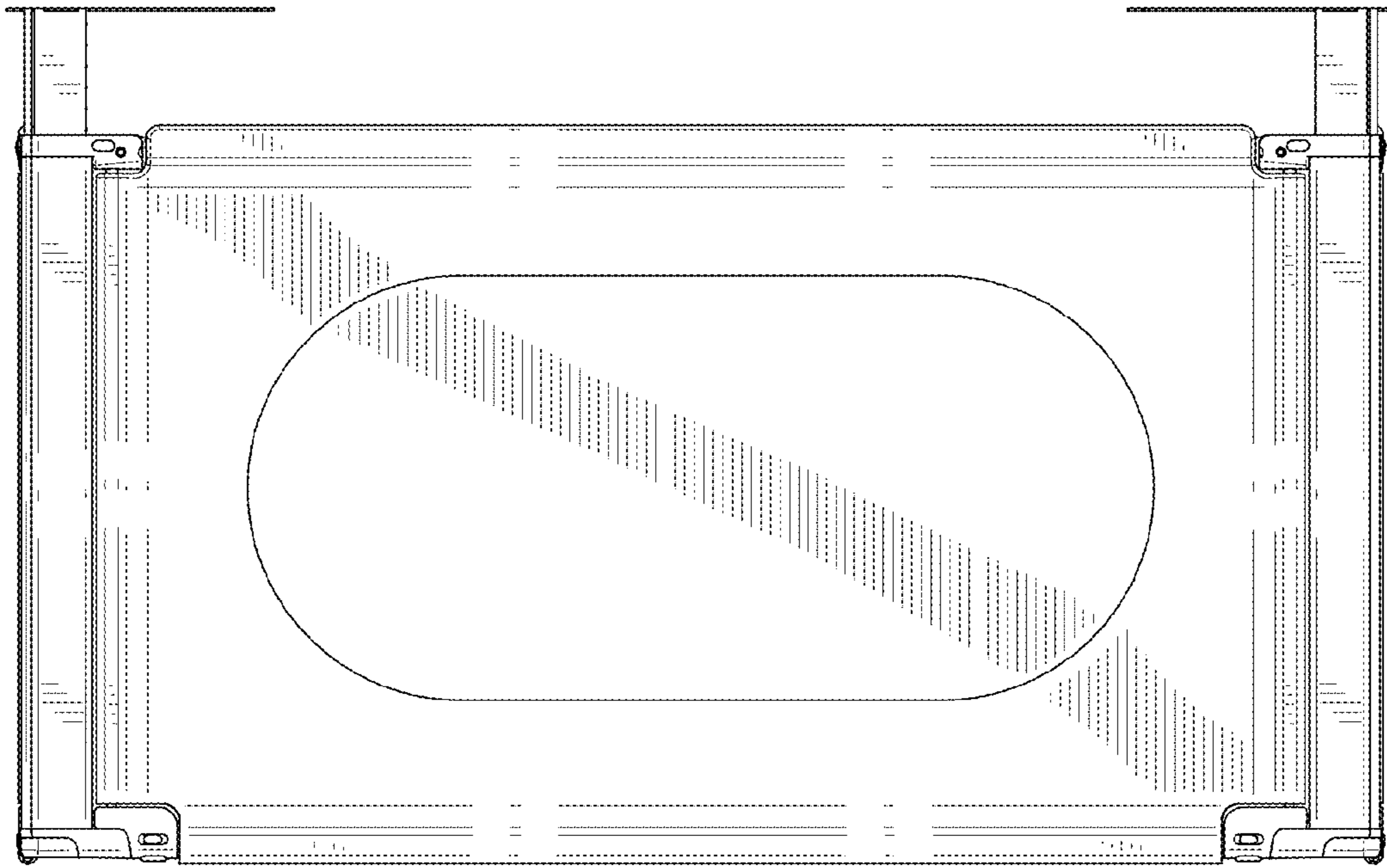


FIG. 5

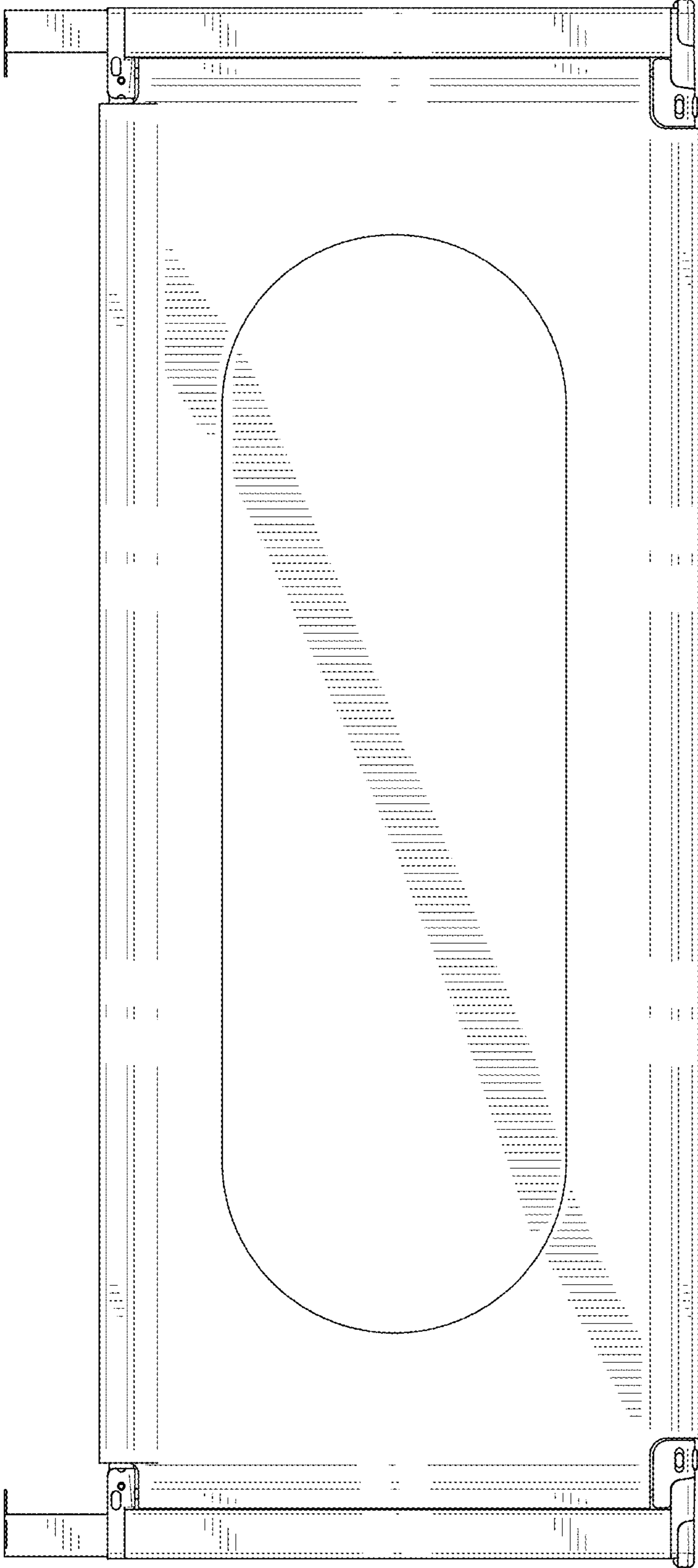


FIG. 6



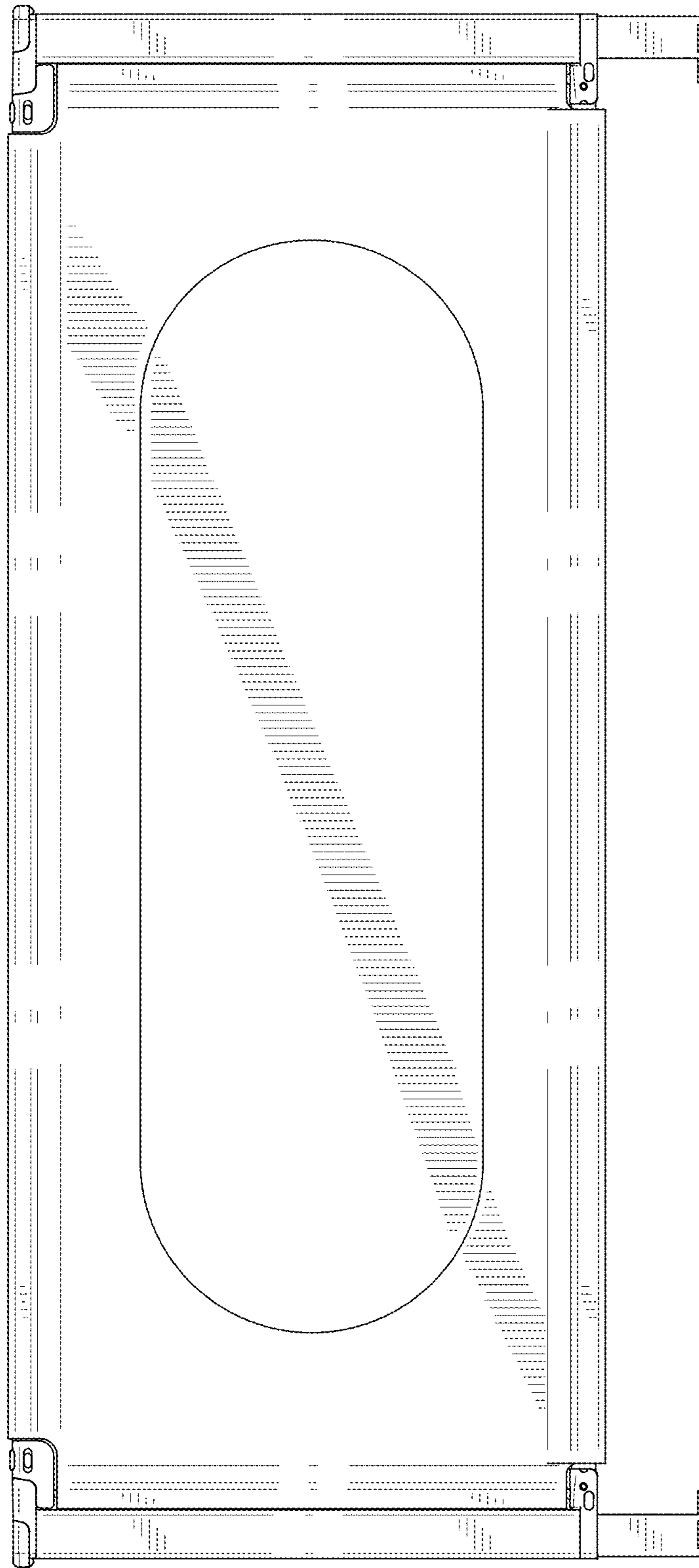


FIG. 7