



US00D953787S

(12) **United States Design Patent** (10) **Patent No.:** **US D953,787 S**
Liu (45) **Date of Patent:** **** Jun. 7, 2022**

(54) **STORAGE RACK**

(71) Applicant: **Chenghong Liu**, Guangzhou (CN)

(72) Inventor: **Chenghong Liu**, Guangzhou (CN)

(**) Term: **15 Years**

(21) Appl. No.: **29/798,629**

(22) Filed: **Jul. 9, 2021**

(51) **LOC (13) Cl.** **06-06**

(52) **U.S. Cl.**
USPC **D6/707.19**

(58) **Field of Classification Search**

USPC D6/349, 672, 675, 675.1, 675.2, 675.3,
D6/675.5, 705, 705.6, 706, 707, 707.19
CPC A47B 96/025; A47B 97/00; A47F 5/0018
See application file for complete search history.

(56) **References Cited**

U.S. PATENT DOCUMENTS

D255,963 S *	7/1980	Baker	D6/394
D438,402 S *	3/2001	Walsh	D6/675
D469,985 S	2/2003	Pryor		
D704,482 S *	5/2014	Hsu	D6/675.1
D724,358 S *	3/2015	Tsai	D6/675.3
D730,666 S *	6/2015	Goodman	D6/675.3
D731,212 S *	6/2015	Hsu	D6/675.2
D742,665 S *	11/2015	Goodman	D6/675.5
D785,995 S *	5/2017	Tsai	D6/705.6
D802,342 S *	11/2017	Chang	D6/675.5
D808,690 S *	1/2018	Hsu	D6/675.2
D915,105 S *	4/2021	Xie	D6/675
D936,401 S *	11/2021	Wang	D6/675.5
D939,253 S *	12/2021	Huang	D6/675.2
2015/0014263 A1 *	1/2015	Lo	A47B 87/0207 211/182
2017/0245641 A1 *	8/2017	Greenwood	A47B 97/00

OTHER PUBLICATIONS

“IPEGTOP Expandable Cabinet Storage Shelf Organizer Rack.”
Found online Mar. 10, 2022 at www.amazon.com. Product first

available Sep. 16, 2020. Retrieved from URL: https://www.amazon.com/dp/B09H33M93N (Year: 2020).*

“Beeloving Expandable Cabinet Shelf Organizer.” Found online Mar. 10, 2022 at www.amazon.com. Product first available Jan. 5, 2021 . Retrieved from URL: https://www.amazon.com/Beeloving-Expandable-Organizer-Bathroom-Countertop/dp/B08S3HSQKL (Year: 2021).*

“Adjustable Countertop Organizer.” Found online Mar. 10, 2022 at www.amazon.com. Product first available Mar. 22, 2021. Retrieved from URL: https://www.amazon.com/dp/B08ZM9JHC6 (Year: 2021).*

“KAMBAO Expandable Counter Organizer Shelf.” Found online Mar. 10, 2022 at www.amazon.com. Product first available Jul. 16, 2021. Retrieved from URL: https://www.amazon.com/dp/B099MKS4Y (Year: 2021).*

* cited by examiner

Primary Examiner — Mary Ann Calabrese

Assistant Examiner — Katelin G Kloberg

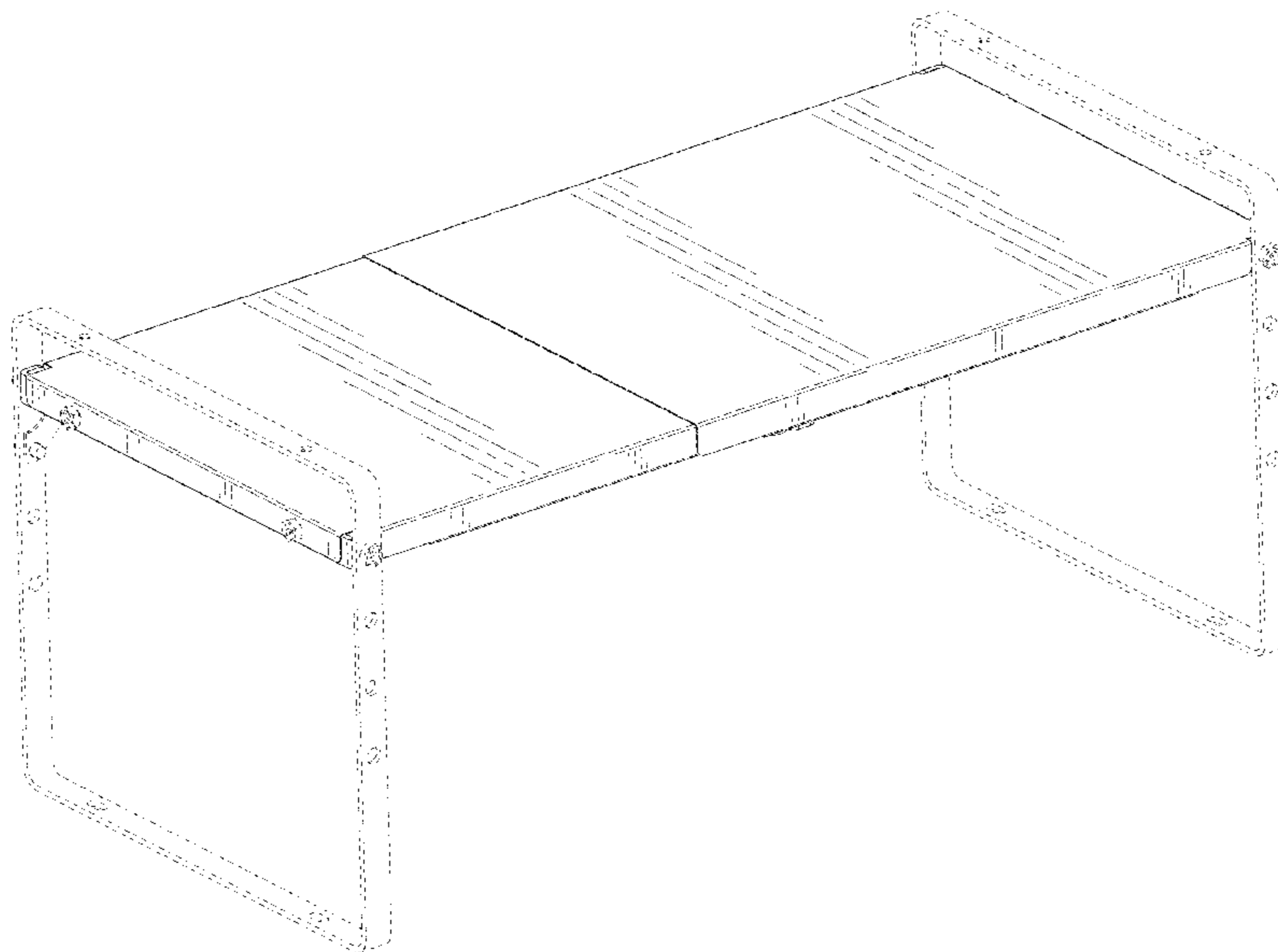
(57) **CLAIM**

The ornamental design for a storage rack, as shown and described.

DESCRIPTION

FIG. 1 is a top, front, left side perspective view of a storage rack showing my new design;
FIG. 2 is a bottom, rear, right side perspective view thereof;
FIG. 3 is a front elevational view thereof;
FIG. 4 is a rear elevational view thereof;
FIG. 5 is a left side elevational view thereof;
FIG. 6 is a right side elevational view thereof;
FIG. 7 is a top plan view thereof; and,
FIG. 8 is a bottom plan view thereof.
The broken lines in the drawings depict portions of the storage rack that form no part of the claimed design.

1 Claim, 8 Drawing Sheets



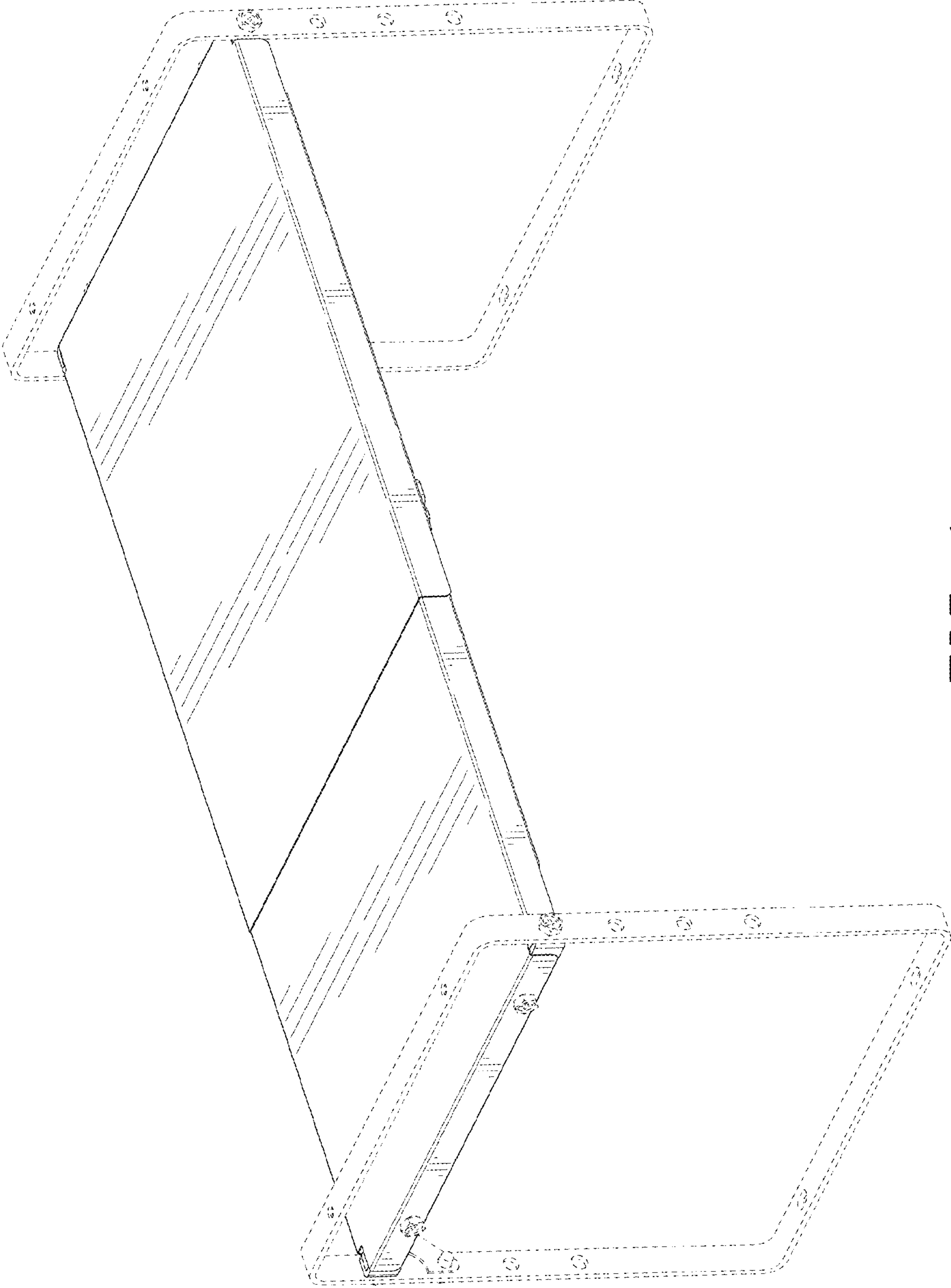


FIG. 1

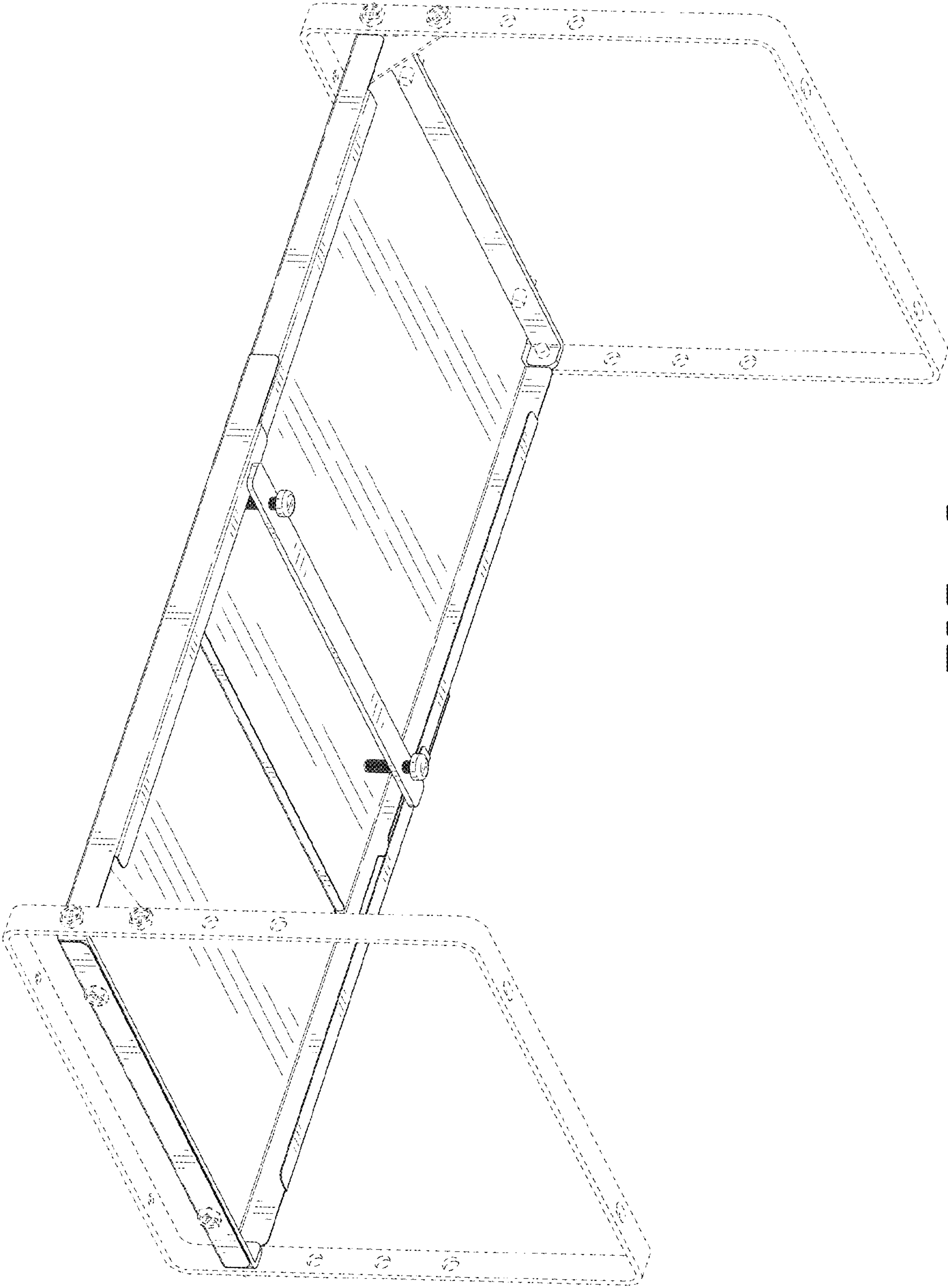


FIG. 2

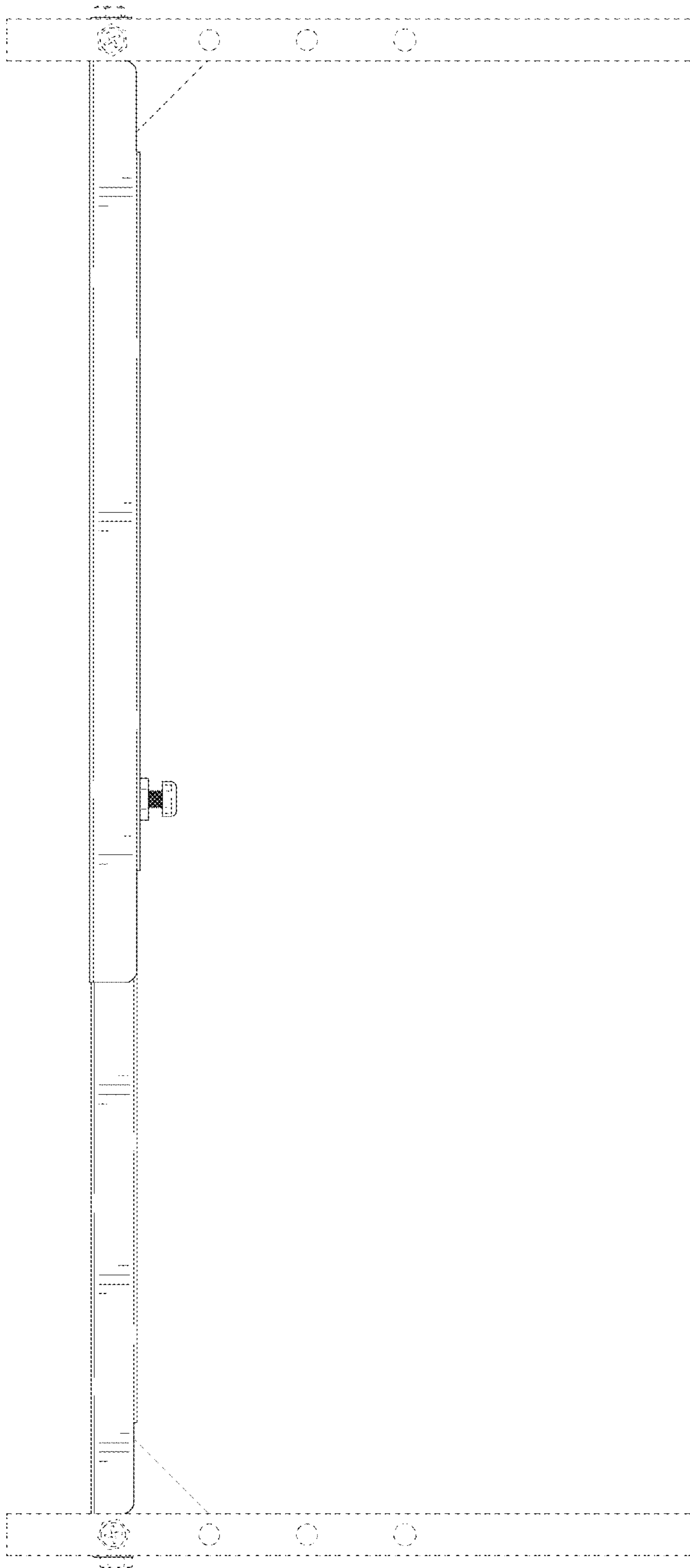


FIG. 3

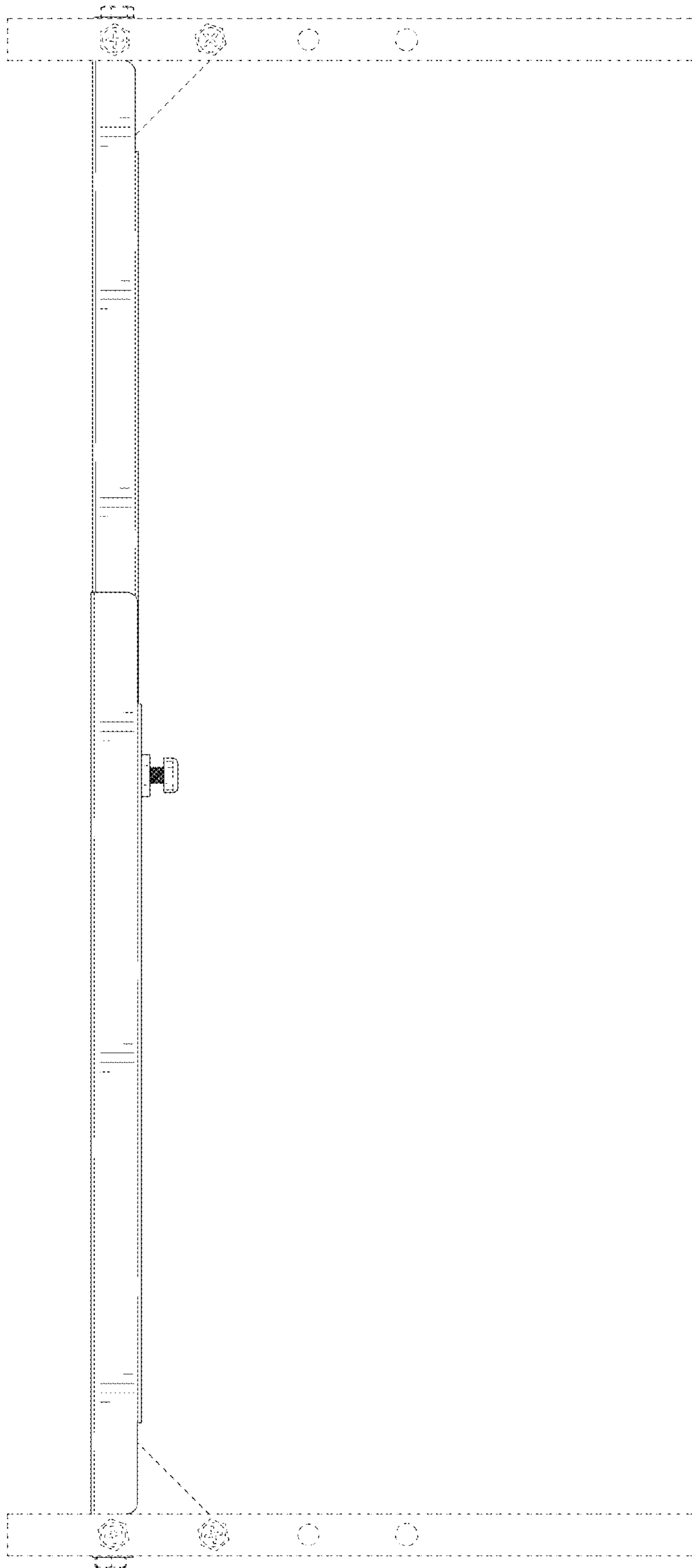


FIG. 4

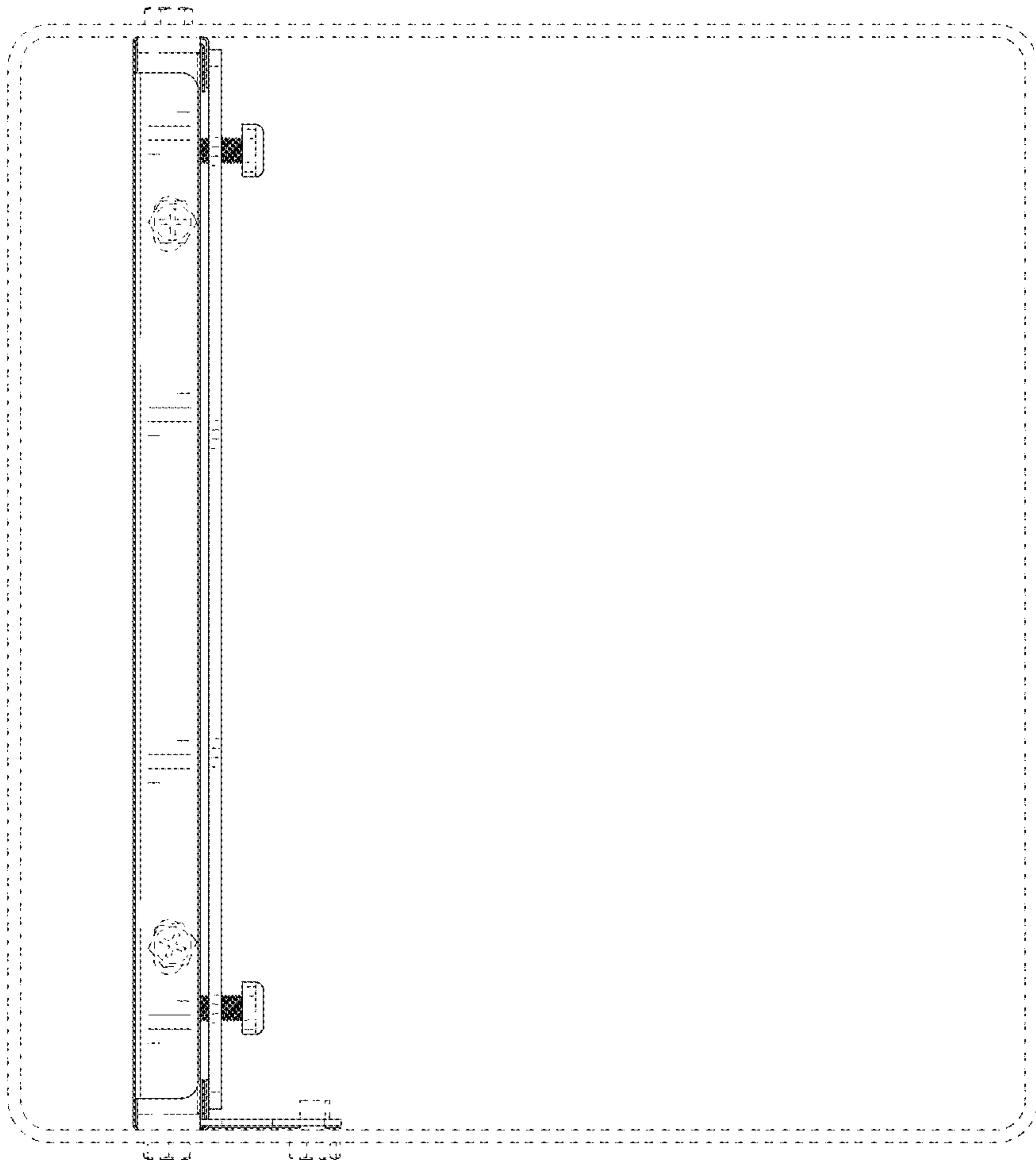


FIG. 5

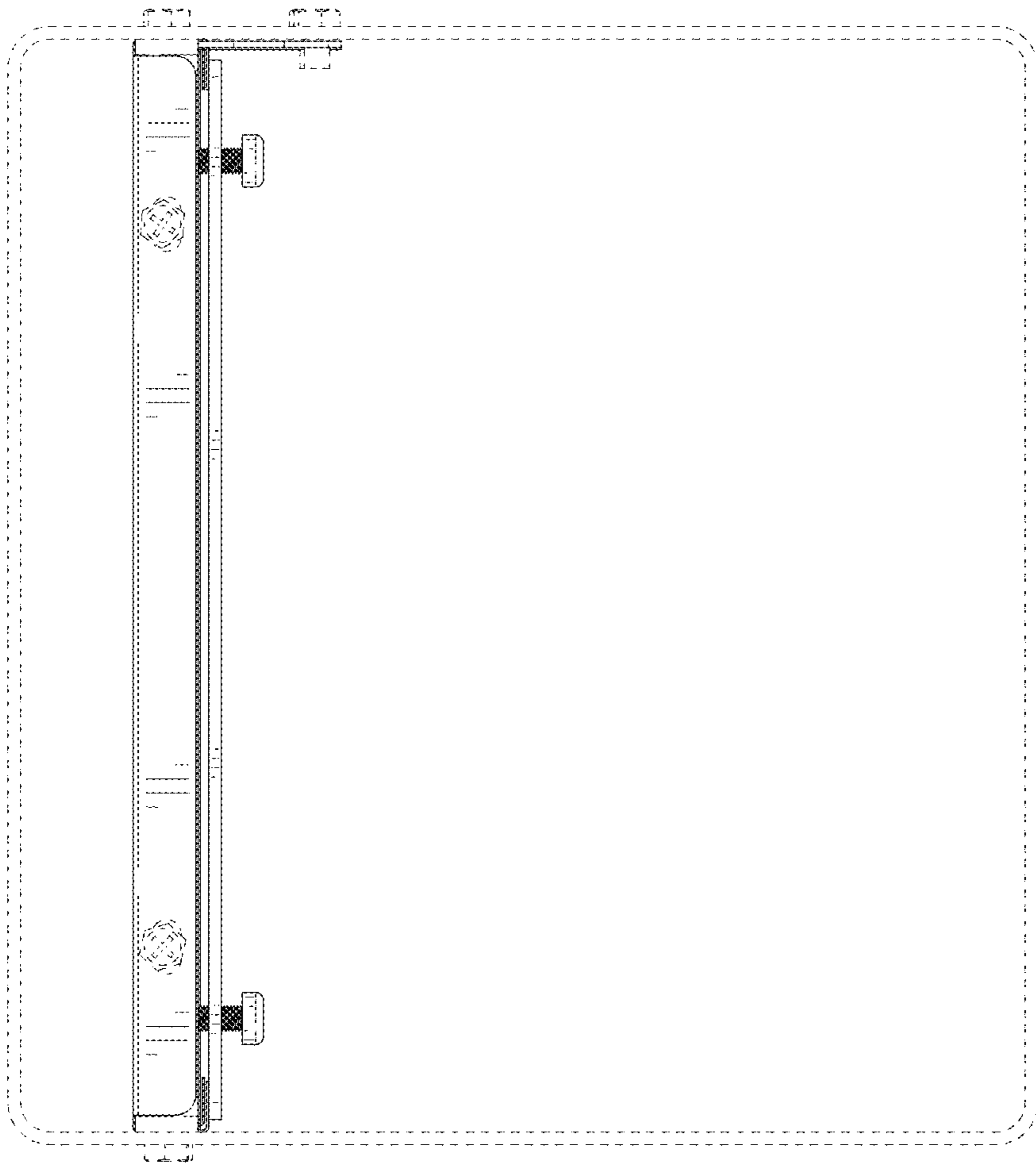


FIG. 6

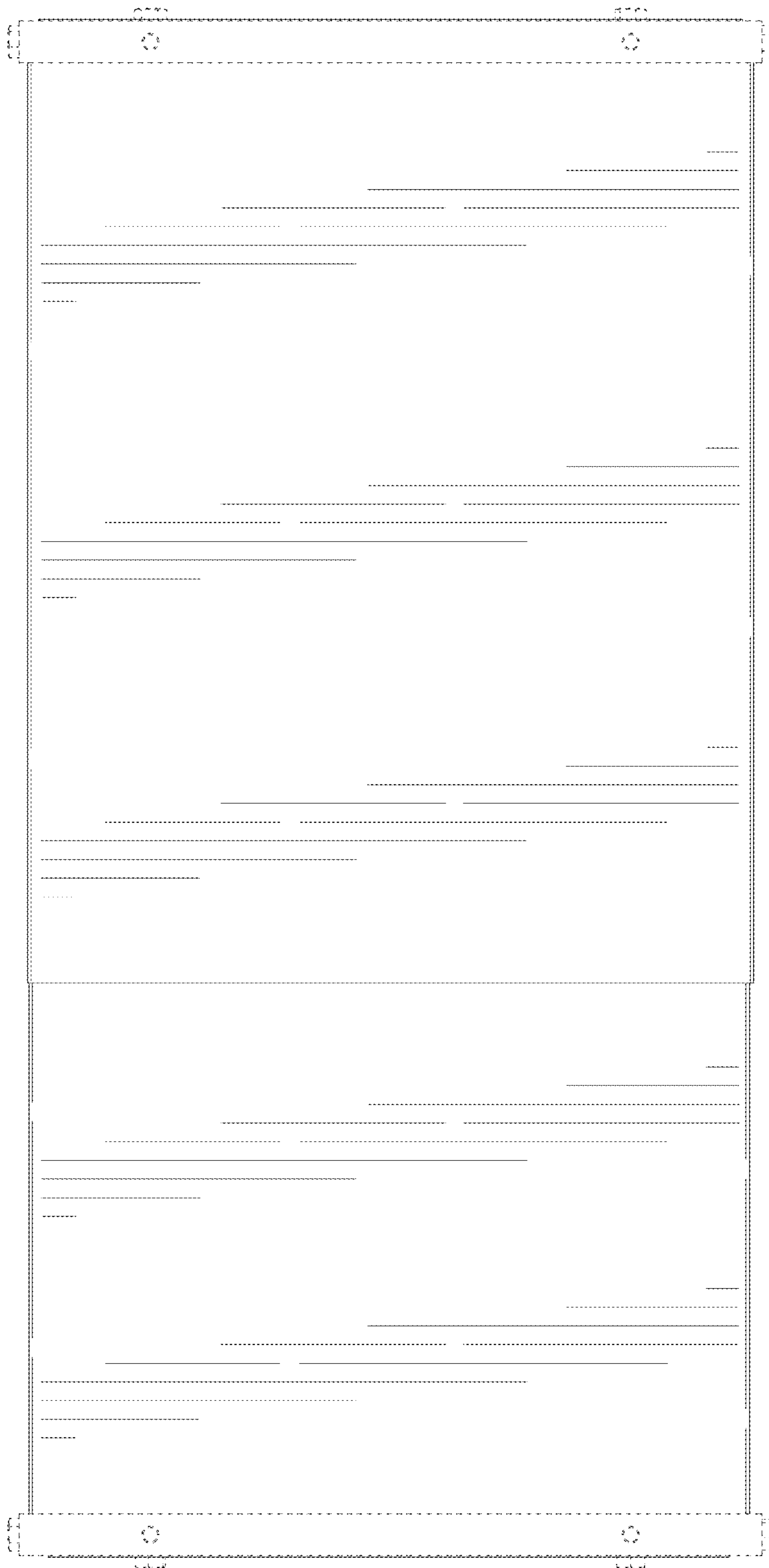


FIG. 7

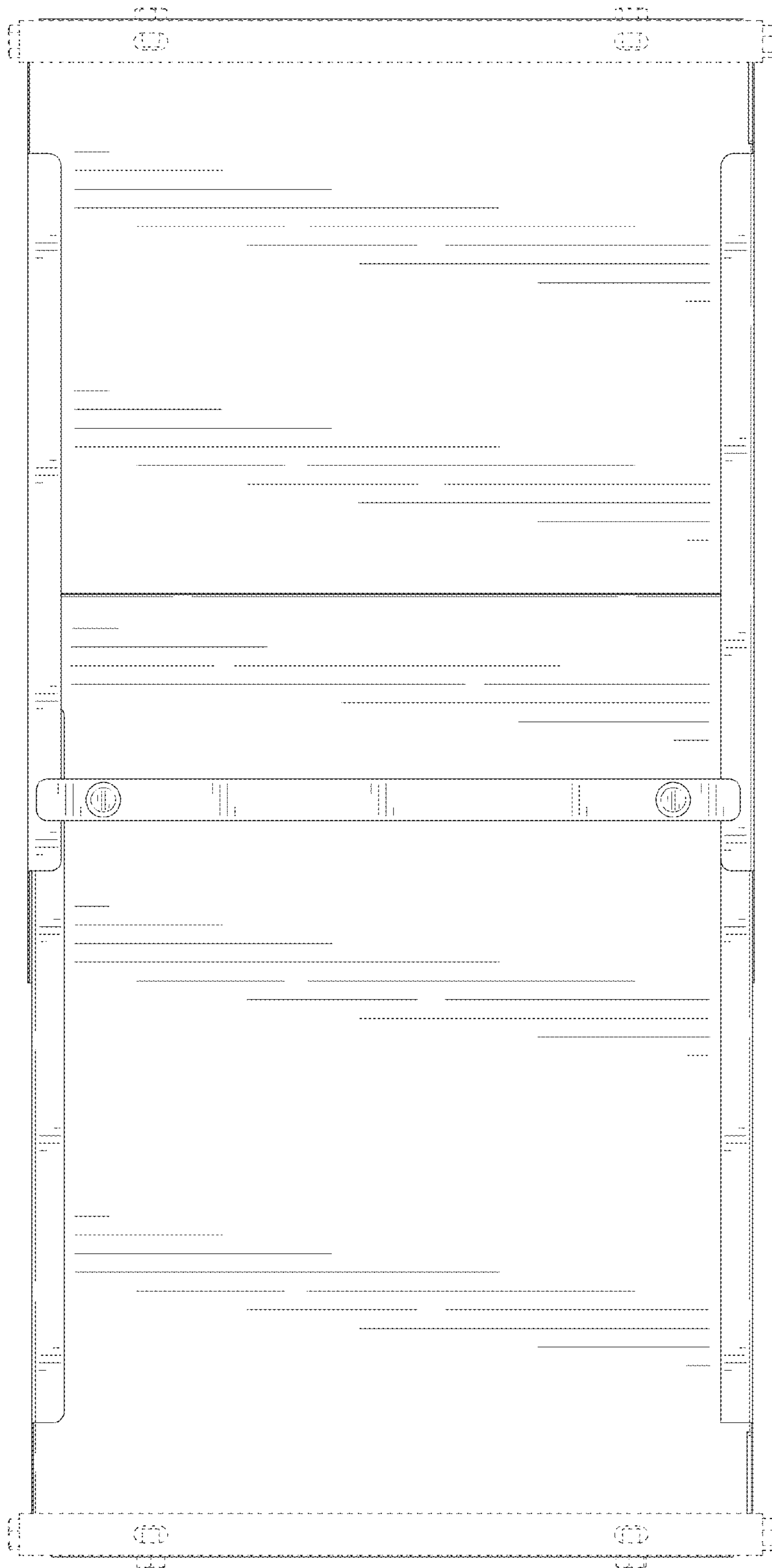


FIG. 8