



US00D953785S

(12) **United States Design Patent** (10) **Patent No.:** **US D953,785 S**
Hu (45) **Date of Patent:** **** Jun. 7, 2022**

(54) **PORTABLE CLOTH CUTTING TABLE**
(71) Applicant: **Yajun Hu**, El Dorado Hills, CA (US)
(72) Inventor: **Yajun Hu**, El Dorado Hills, CA (US)
(73) Assignees: **Yajun Hu**, El Dorado Hills, CA (US);
EUREKA LLC, EL Dorado Hills, CA (US)
(**) Term: **15 Years**

7,401,574 B1 7/2008 Sampson et al.
8,191,881 B1 6/2012 Iyewarun
8,215,296 B1 7/2012 Cisneros
9,185,970 B1 11/2015 Iyewarun
D757,470 S * 5/2016 Pedersen A47B 13/081
D6/686
10,239,223 B2 3/2019 Mathon
D852,448 S * 6/2019 Hu D34/21
D858,928 S * 9/2019 Cao D34/21
D899,826 S * 10/2020 Cheng D34/21
D901,123 S * 11/2020 Liu D34/21
D902,521 S * 11/2020 Tsai D34/21

(Continued)

(21) Appl. No.: **29/729,653**

(22) Filed: **Mar. 29, 2020**

(51) **LOC (13) Cl.** **06-03**

(52) **U.S. Cl.**
USPC **D6/698**

(58) **Field of Classification Search**
USPC D6/641, 642, 655, 655.1, 684–686, 691,
D6/691.1–691.9, 698, 699, 675, 675.1,
D6/683, 683.1; D15/77, 127; D34/12,
D34/21, 27
CPC .. A47B 3/00; A47B 3/002; A47B 3/02; A47B
3/08; A47B 2003/008; A47B 7/00; A47B
13/00; A47B 13/02; A47B 13/04; A47B
13/06; A47B 13/08; A47B 13/10; A47B
13/12; A47B 17/00; A47B 21/00; A47B
2200/0001; A47B 2200/0011; A47B
2200/002

See application file for complete search history.

(56) **References Cited**

U.S. PATENT DOCUMENTS

2,004,296 A * 6/1935 Royce A47B 1/04
312/282
D250,234 S * 11/1978 Ungaro D6/699
D421,995 S 3/2000 Engelfried et al.
D423,524 S 4/2000 Engelfried et al.
6,644,156 B2 11/2003 Villacis
6,663,202 B2 * 12/2003 Spann A61G 12/001
312/249.12

OTHER PUBLICATIONS

Sullivans 38431 Home Hobby Adjustable Height Foldable Table—
Amazon, date first available Sep. 1, 2014 https://www.amazon.com/Sullivans-38431-Adjustable-Height-Foldable/dp/B009L2LVM4/ref=sr_1_4?keywords=Cutting+Table+for+Sewing&qid=1645557994&sr=8-4 retrieved from the internet on Feb. 22, 2022.*

(Continued)

Primary Examiner — Mary Ann Calabrese

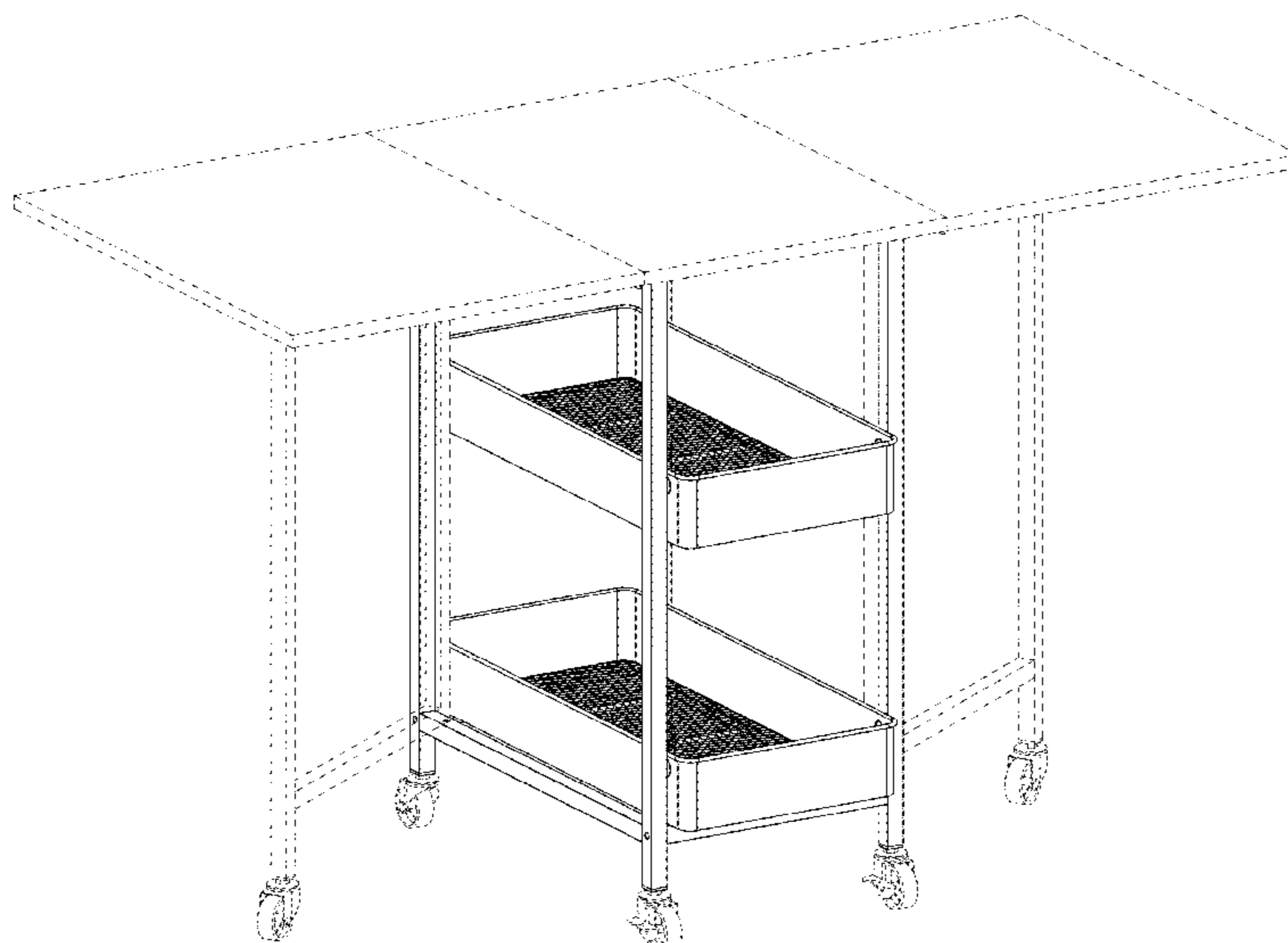
(57) **CLAIM**

I claim the ornamental design for portable cloth cutting table, as shown and described.

DESCRIPTION

FIG. 1 is a perspective view one of portable cloth cutting table, showing my new design;
FIG. 2 is a front elevational view thereof;
FIG. 3 is a bottom plan view thereof;
FIG. 4 is a top plan view thereof;
FIG. 5 is a rear elevational view thereof;
FIG. 6 is a left side view thereof; and,
FIG. 7 is a right side view thereof.
In the drawings, the broken lines show portions of the portable cloth cutting table that form no part of the claimed design.

1 Claim, 7 Drawing Sheets



(56)

References Cited

U.S. PATENT DOCUMENTS

D922,023 S * 6/2021 Chen B65D 7/14
D34/21
D948,834 S * 4/2022 Zhao B62B 3/02
D34/21
2018/0208355 A1* 7/2018 Tang B65D 7/14
2020/0231197 A1* 7/2020 Liu B62B 3/02
2021/0045523 A1* 2/2021 Maynes A47B 13/081
2021/0076814 A1* 3/2021 Maynes A47B 37/00

OTHER PUBLICATIONS

Studio Designs Sew Ready Mobile Height Adjustable Hobby and Craft Cutting Table with Drawers Amazon, reviewed in the US on Oct. 19, 2017 https://www.amazon.com/Sew-Ready-Designs-Folding-Multipurpose/dp/B01LBVYQ6U/ref=sr_1_2?keywords=sewing%2Btable%2Bfor%2Bcutting%2Bfabric&qid=1645558301&sr=8-2&th=1 retrieved from the internet on Feb. 22, 2022.*

Kensington Table Rolling Cart, by Simply Tidy—Michaels <https://www.michaels.com/kensington-table-rolling-cart-by-simply-tidy/10624017.html> retrieved from the internet on Feb. 22, 2022.*

* cited by examiner

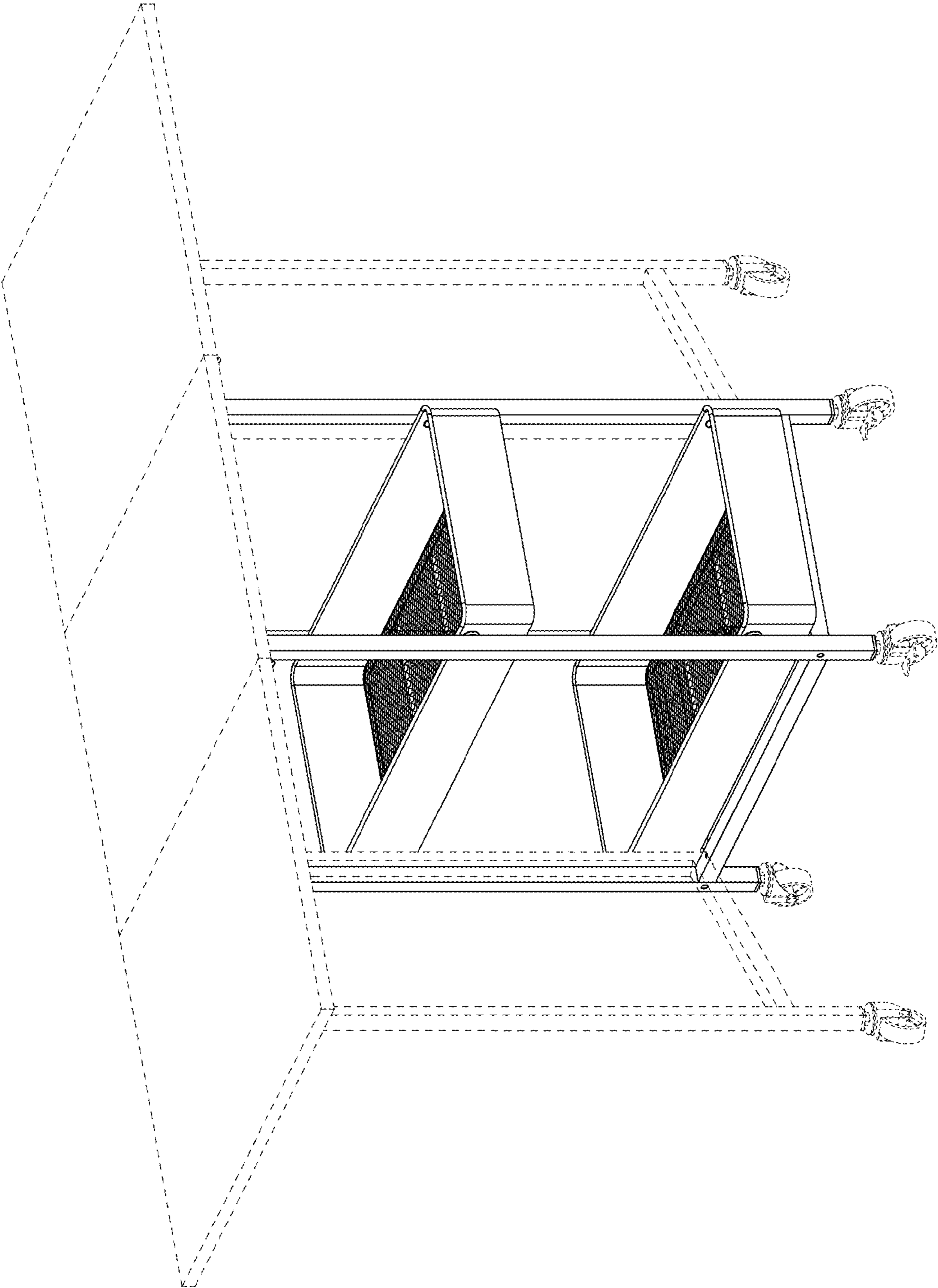


FIG.1

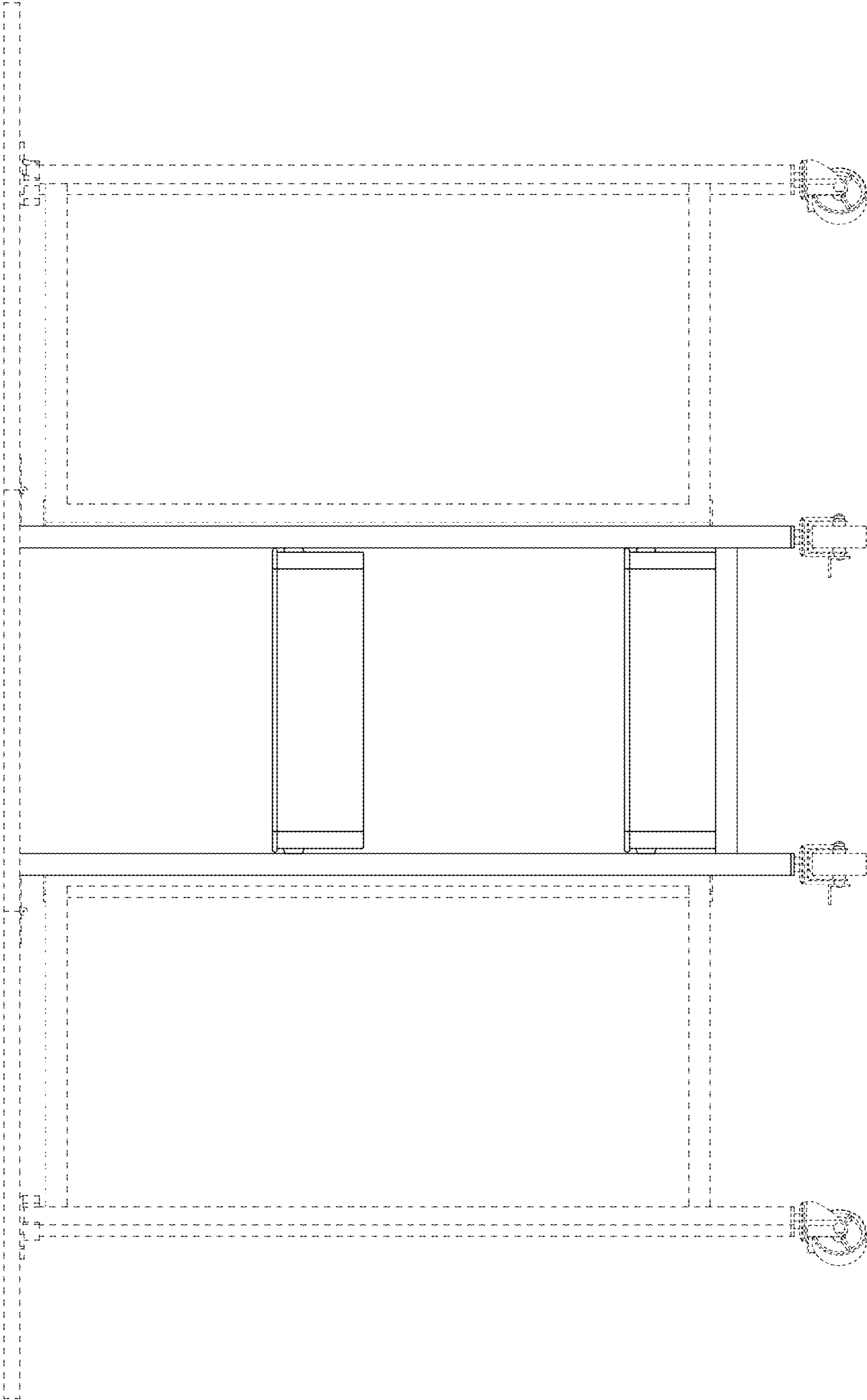


FIG.2

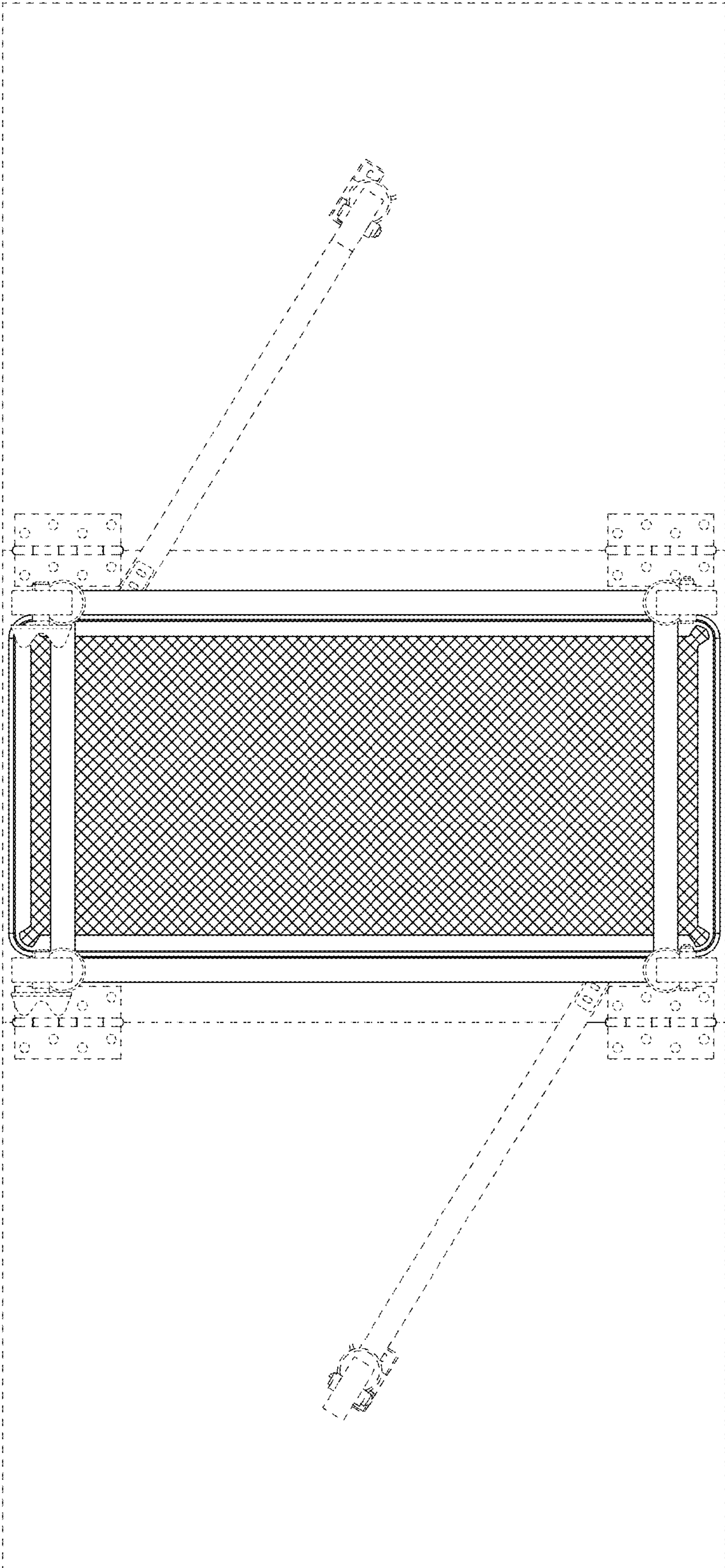


FIG.3

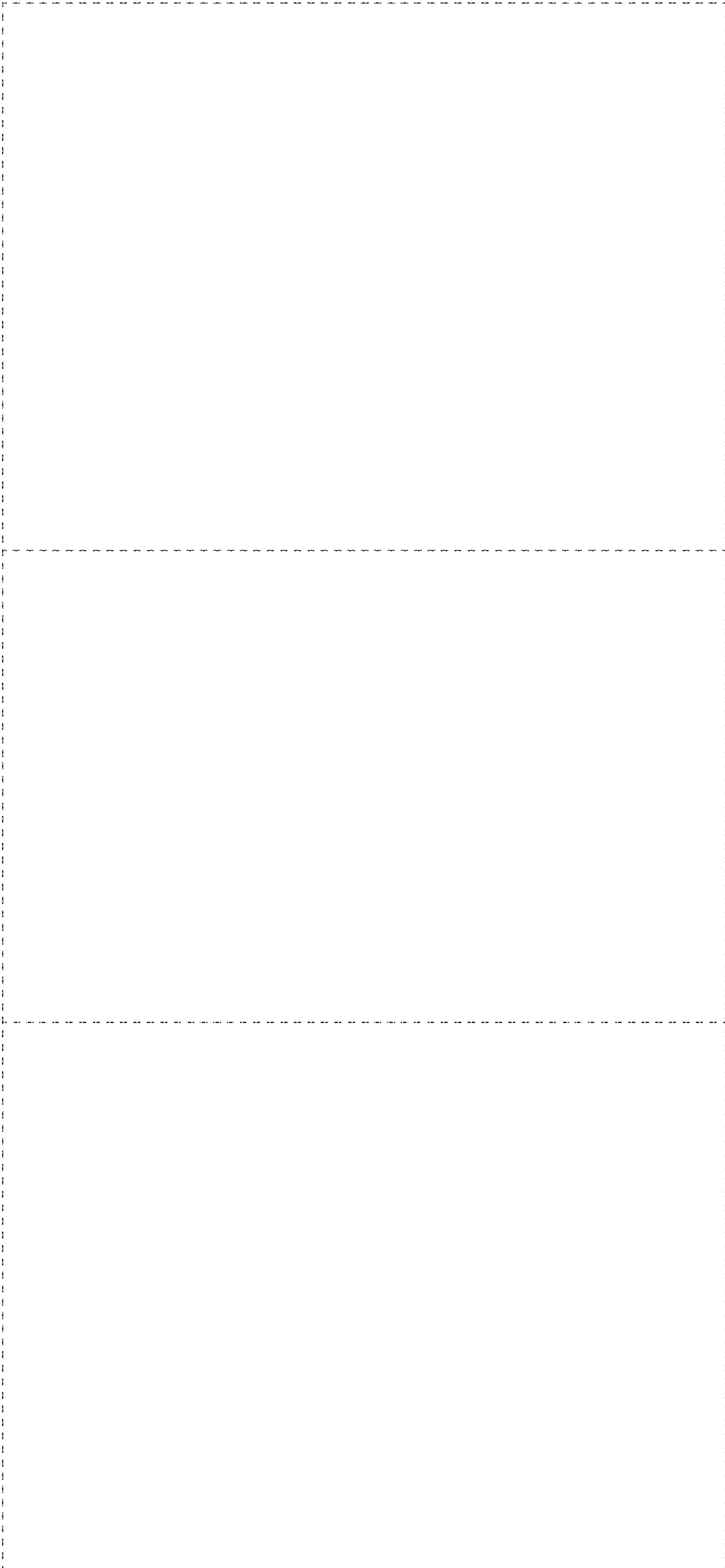


FIG.4

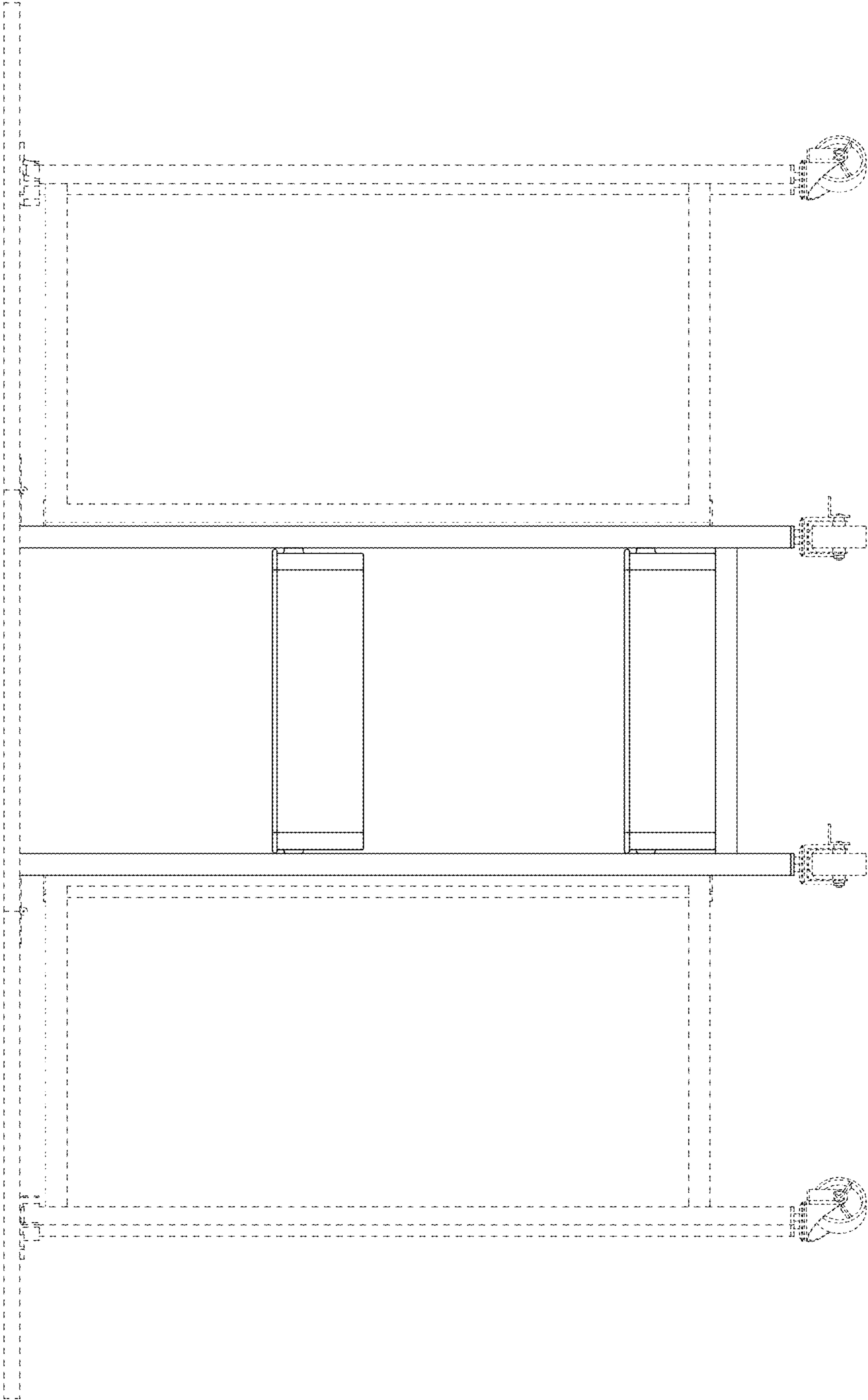


FIG.5

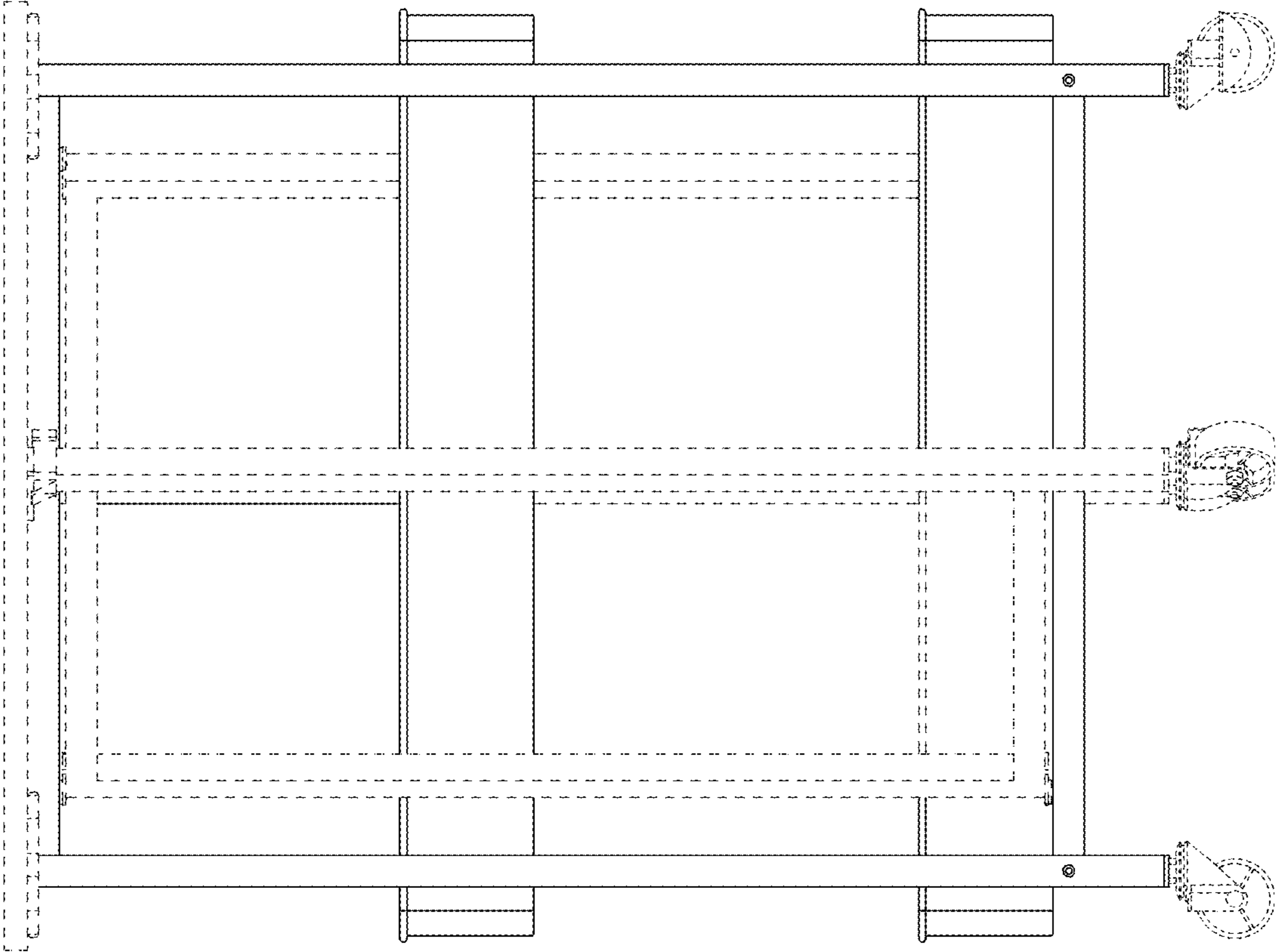


FIG.6

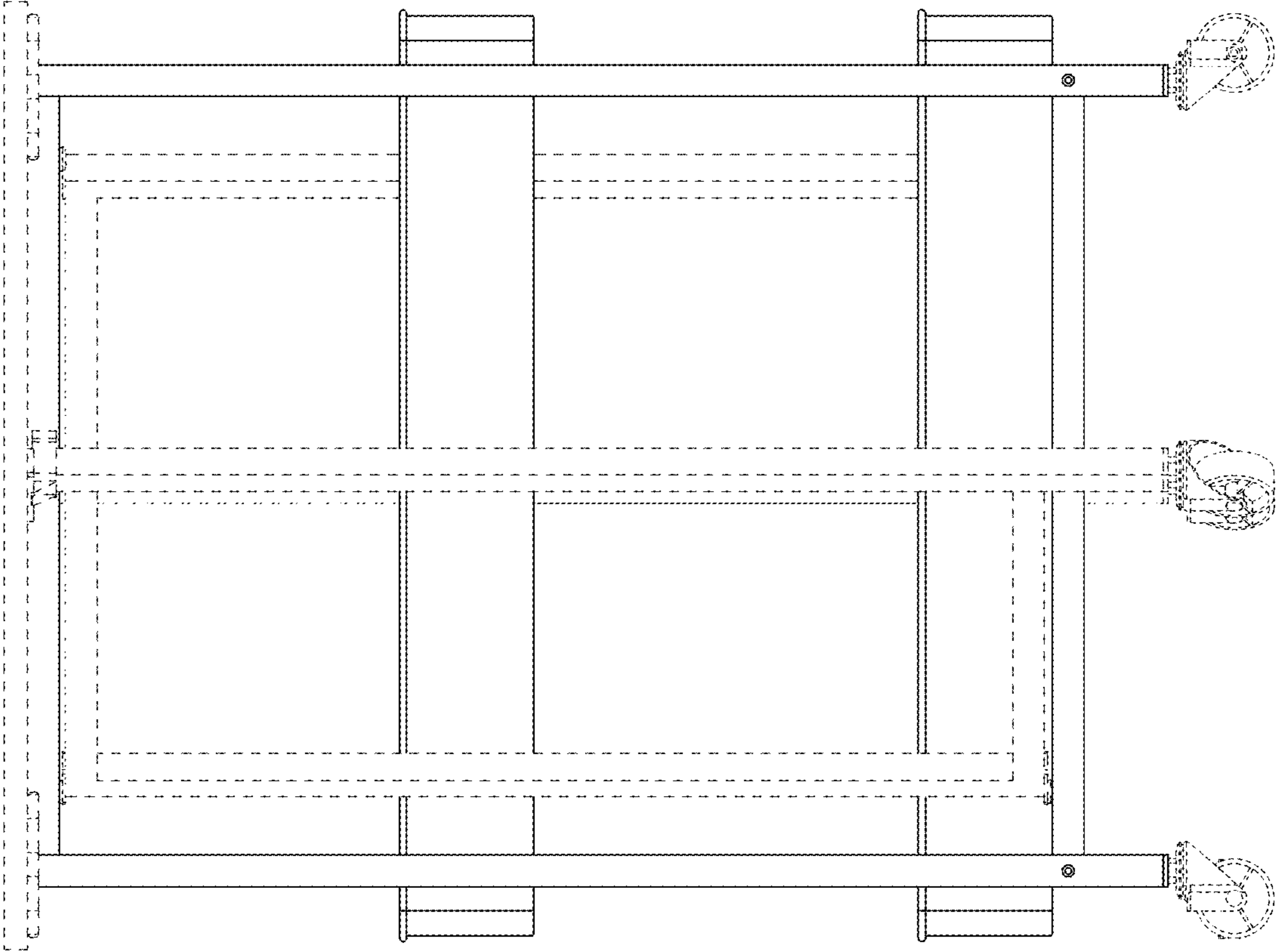


FIG.7