



US00D953784S

(12) **United States Design Patent**  
**Blyth**

(10) **Patent No.:** **US D953,784 S**  
(45) **Date of Patent:** **\*\* Jun. 7, 2022**

(54) **DUAL REMOTE CONTROL HOLDER**

(71) Applicant: **Richard Blyth**, Los Angeles, CA (US)

(72) Inventor: **Richard Blyth**, Los Angeles, CA (US)

(\*\*) Term: **15 Years**

(21) Appl. No.: **29/814,976**

(22) Filed: **Nov. 10, 2021**

(51) **LOC (13) Cl.** ..... **06-06**

(52) **U.S. Cl.**  
USPC ..... **D6/682**

(58) **Field of Classification Search**  
USPC ..... D6/672, 677, 678, 681, 681.1, 682,  
D6/682.1, 682.3, 512; D14/454  
CPC ..... A47F 5/00; A47F 7/0007; A47F 7/0021;  
A47F 7/0028; A47F 7/0035; A47F  
7/0042; H04M 1/04  
See application file for complete search history.

(56) **References Cited**

**U.S. PATENT DOCUMENTS**

D281,657 S *	12/1985	Roczey	248/918
4,712,693 A	12/1987	Striplin	
4,838,505 A	6/1989	Lowe	
4,848,609 A	7/1989	Meghnot	
4,991,892 A	2/1991	Burrell	
5,192,042 A	4/1993	Wotring et al.	
5,244,173 A	9/1993	Kulyk	
5,316,249 A	5/1994	Anderson	
5,370,241 A	12/1994	Silvers	
5,531,332 A	7/1996	Monnens	
D391,098 S *	2/1998	Northrop	D6/675
5,872,702 A *	2/1999	Kopel	H01H 9/025 361/810
5,954,208 A	9/1999	Schultz	
D426,985 S *	6/2000	Casalino	D6/672
7,044,619 B2	5/2006	Sanderlin et al.	
D587,041 S *	2/2009	Winsor	D6/672
D697,344 S *	1/2014	Kerian	D6/690

D731,661 S *	6/2015	Cox	D24/185
D821,122 S *	6/2018	Wang	D6/682
D828,060 S *	9/2018	Dillon	D6/683
D904,089 S *	12/2020	Chen	D6/682.2
D927,232 S *	8/2021	Schuster	D6/682
2005/0155942 A1	7/2005	Viola	
2008/0283479 A1	11/2008	Skille	

(Continued)

**FOREIGN PATENT DOCUMENTS**

AU	2018203731	12/2018
DE	9313756	11/1993
DE	29618963	3/1998

*Primary Examiner* — Kelley A Donnelly

(74) *Attorney, Agent, or Firm* — Milord A. Keshishian

(57) **CLAIM**

The ornamental design for a dual remote control holder, as shown and described.

**DESCRIPTION**

FIG. 1 is a top perspective view showing the top, rear, and left side of the dual remote control holder in an closed position;

FIG. 2 is a left side elevational view thereof in an closed position;

FIG. 3 is a right side elevational view thereof in an closed position;

FIG. 4 is a top plan view thereof in an closed position;

FIG. 5 is a bottom plan view thereof in an closed position;

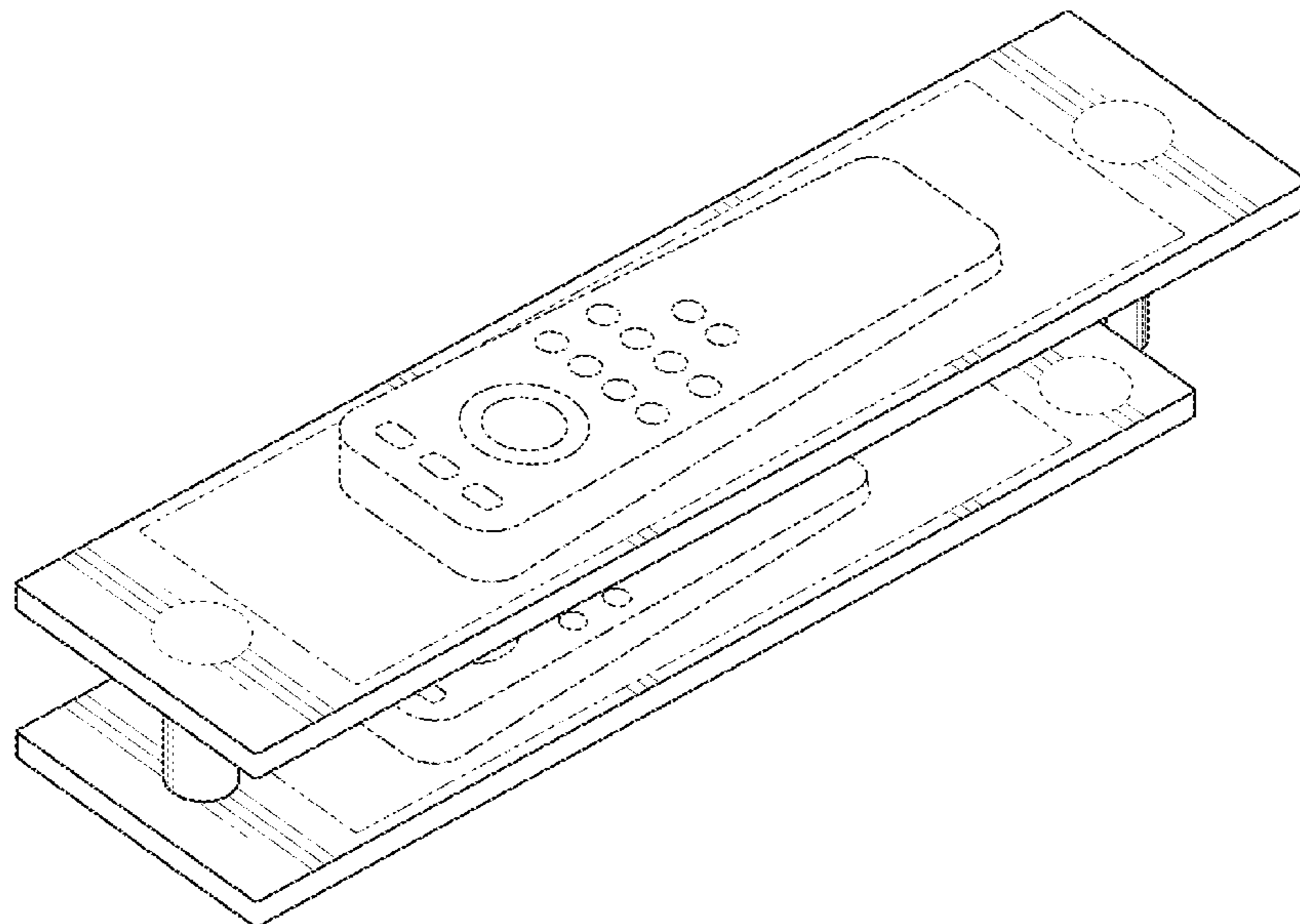
FIG. 6 is a rear elevational view thereof in a closed position;

FIG. 7 is a front elevational view thereof in a closed position; and,

FIG. 8 is a perspective view of the invention in a partially open position.

The broken lines shown in FIGS. 1-8 are for illustrative purposes only and form no part of the claimed design.

**1 Claim, 5 Drawing Sheets**



(56)

**References Cited**

U.S. PATENT DOCUMENTS

2012/0012545 A1 1/2012 Auslaender et al.  
2014/0034586 A1 2/2014 Eaton

\* cited by examiner

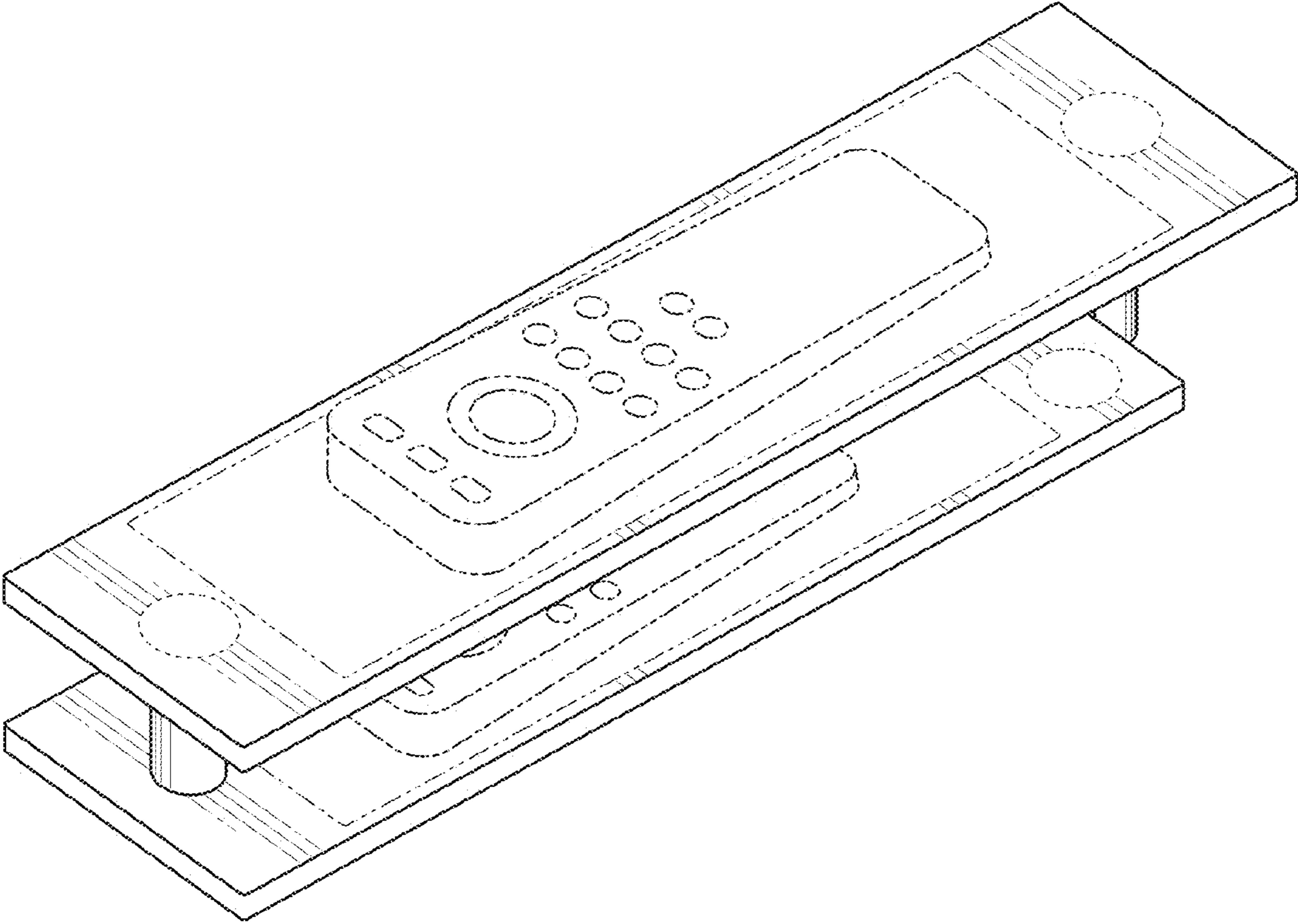


FIG. 1

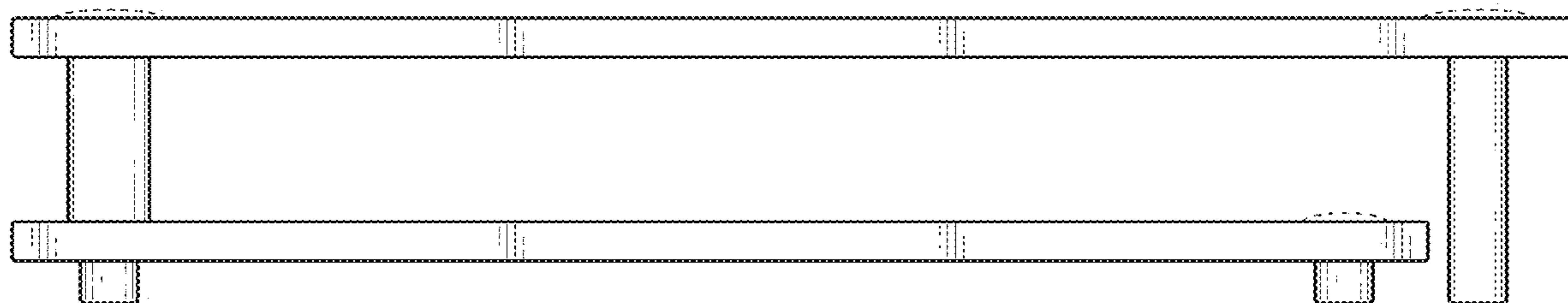


FIG. 2

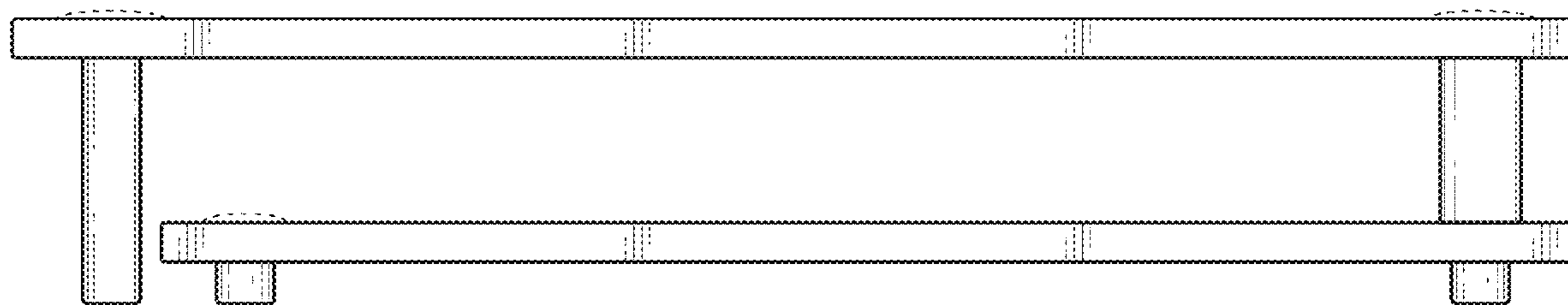


FIG. 3



FIG. 4



FIG. 5

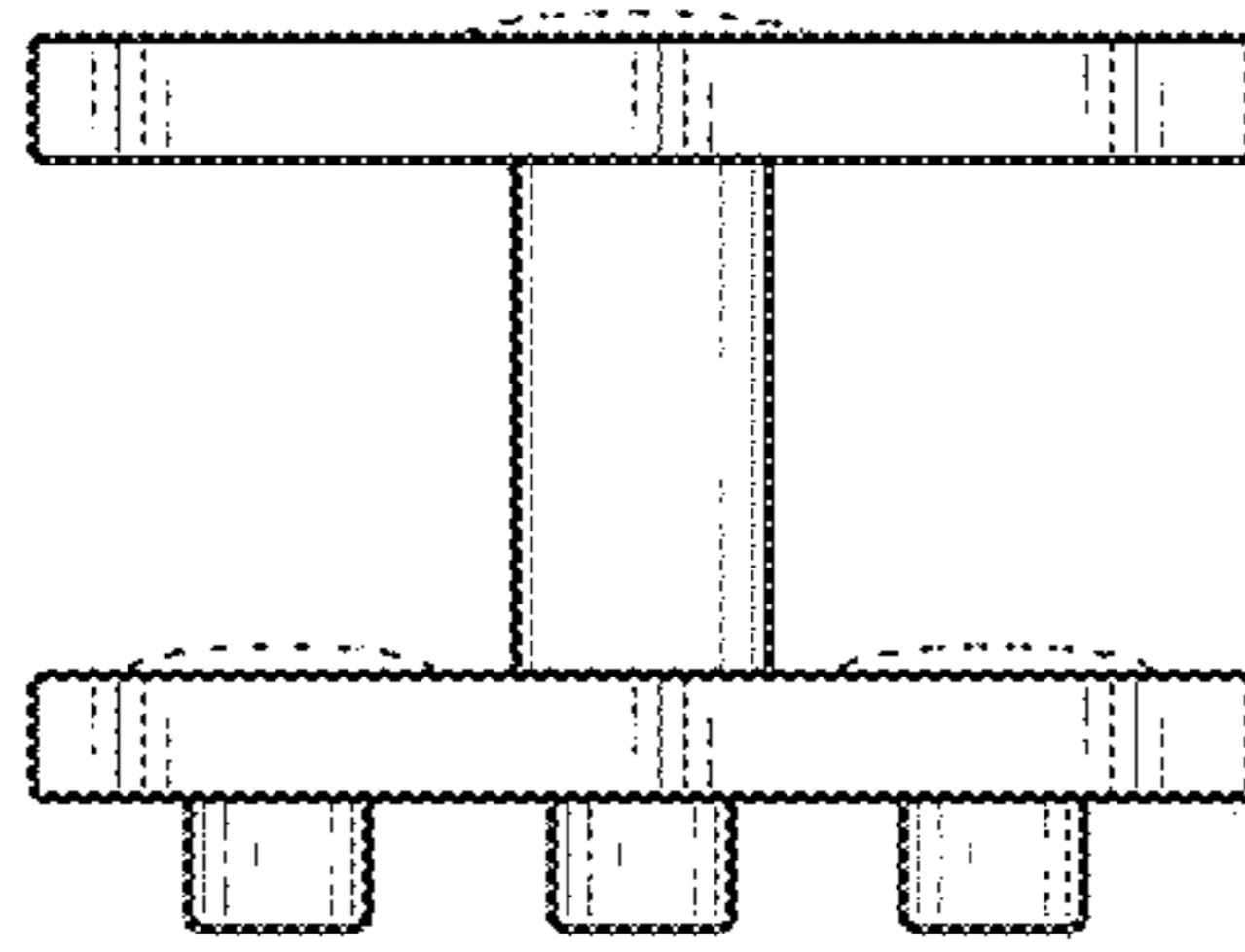


FIG. 6

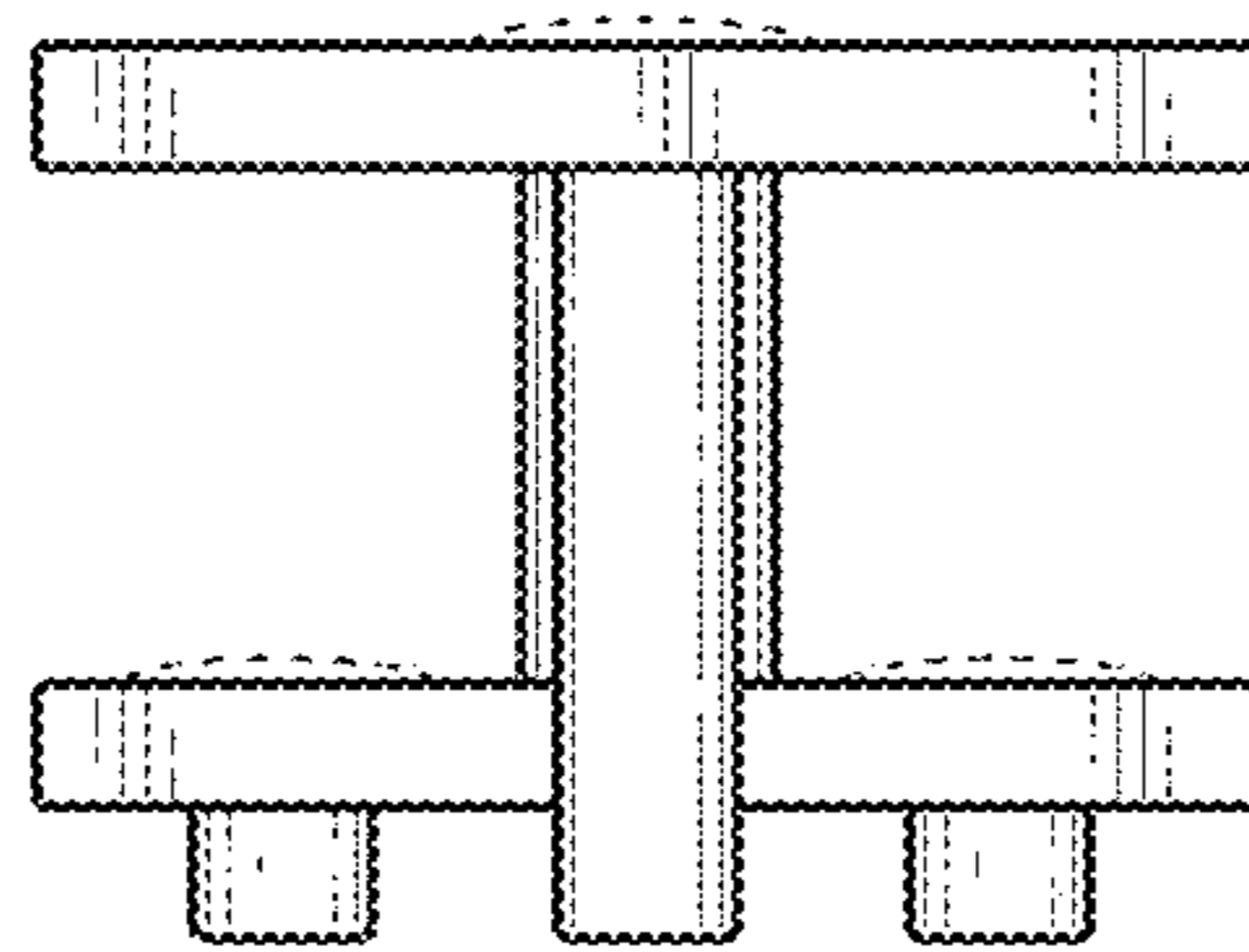


FIG. 7

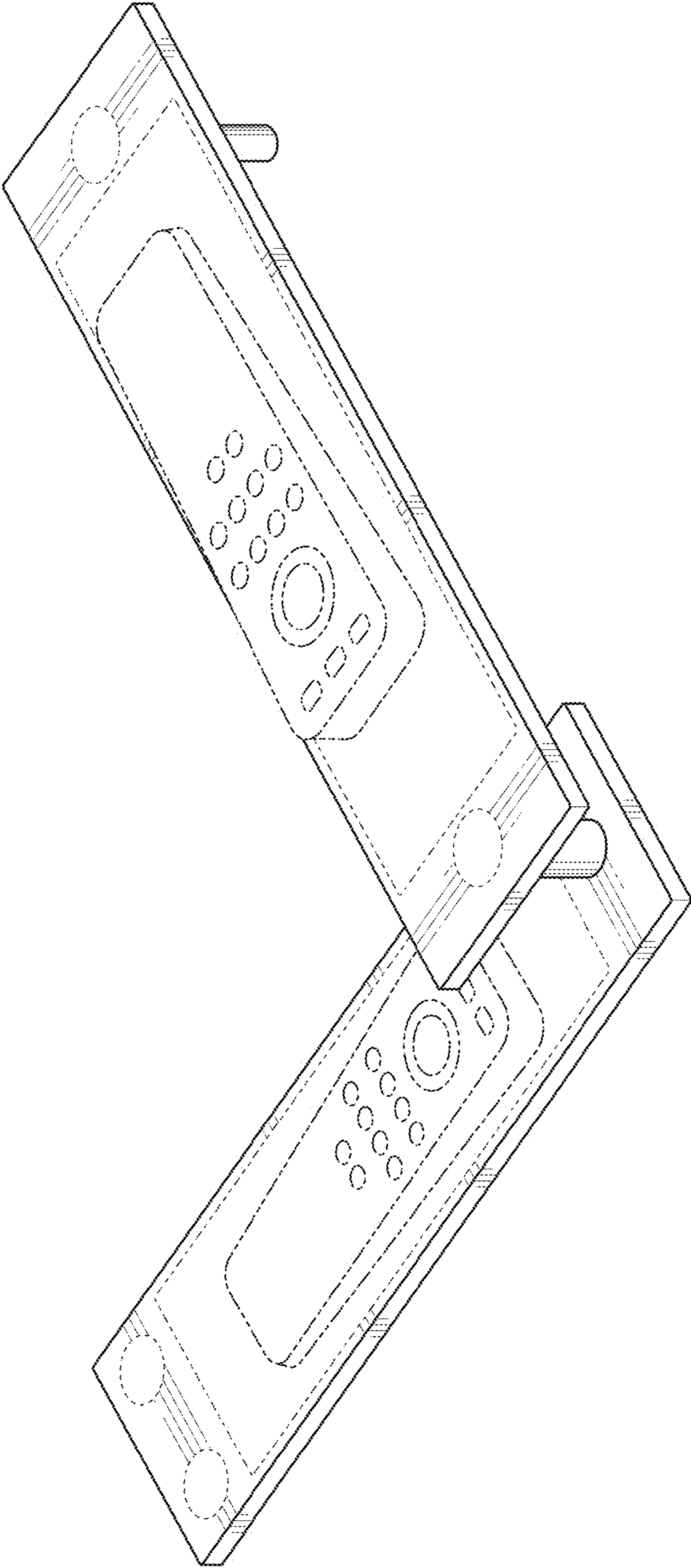


FIG. 8