



US00D953782S

(12) **United States Design Patent**  
**Mai**

(10) **Patent No.:** **US D953,782 S**  
(45) **Date of Patent:** **\*\* Jun. 7, 2022**

- (54) **SHELF**
- (71) Applicant: **Kefeng Mai**, Kowloon (HK)
- (72) Inventor: **Kefeng Mai**, Kowloon (HK)
- (\*\*) Term: **15 Years**
- (21) Appl. No.: **29/716,816**
- (22) Filed: **Dec. 12, 2019**
- (51) **LOC (13) Cl.** ..... **20-02**
- (52) **U.S. Cl.**  
USPC ..... **D6/672; D6/549**
- (58) **Field of Classification Search**  
USPC ..... D6/566, 567, 553, 683.1, 675.3, 678.2,  
D6/675.2, 678.1, 672, 574, 514, 691.9,  
D6/681.2, 527, 549, 569, 572, 519, 522,  
D6/525, 524, 533, 546  
CPC .. A47F 7/00; A47F 5/00; A47F 7/0042; A47F  
5/0068; A47F 5/0025; A47K 2201/02;  
A47K 10/10; A47K 10/04  
See application file for complete search history.

- D476,837 S \* 7/2003 Hoernig ..... D6/527
  - D476,838 S \* 7/2003 Hoernig ..... D6/527
  - D477,733 S \* 7/2003 Hoernig ..... D6/527
  - D477,742 S \* 7/2003 Hoernig ..... D6/574
  - D486,020 S \* 2/2004 Hoernig ..... D6/549
- (Continued)

**FOREIGN PATENT DOCUMENTS**

- CN 302883166 \* 7/2014
  - CN 302883167 \* 7/2014
- (Continued)

**OTHER PUBLICATIONS**

Aluminum Bathroom Glass Shelf by KES, first available: Aug. 13, 2014. Amazon.com [online], [site visited Sep. 21, 2021], Internet URL: [https://www.amazon.co.uk/Aluminum-Bathroom-Rectangular-Mounted-Sprayed/dp/B00VG1FQBA?\\_encoding=UTF8&psc=1](https://www.amazon.co.uk/Aluminum-Bathroom-Rectangular-Mounted-Sprayed/dp/B00VG1FQBA?_encoding=UTF8&psc=1) (Year: 2014).\*

(Continued)

*Primary Examiner* — Steven J Czyz  
*Assistant Examiner* — Hillary Catherine Shepard  
(74) *Attorney, Agent, or Firm* — Law Offices of Steven W. Weinrieb

(56) **References Cited**

**U.S. PATENT DOCUMENTS**

- D253,503 S \* 11/1979 Albert ..... D6/527
- D266,808 S \* 11/1982 Thompson ..... D6/525
- D286,839 S \* 11/1986 Belokin ..... D6/546
- D299,894 S \* 2/1989 Vignale ..... D6/574
- 4,827,849 A \* 5/1989 Vignale ..... A47B 96/027  
108/29
- D317,385 S \* 6/1991 Wolff ..... D6/522
- D327,598 S \* 7/1992 Emery ..... D6/522
- D329,559 S \* 9/1992 Paul ..... D6/523
- D340,377 S \* 10/1993 Brazis ..... D6/549
- D358,733 S \* 5/1995 Paul ..... D6/574
- 5,921,410 A \* 7/1999 Emery ..... A47B 43/00  
211/88.01
- 6,227,506 B1 \* 5/2001 Benedict ..... A47B 96/06  
211/90.01
- D450,514 S \* 11/2001 Gottwald ..... D6/574

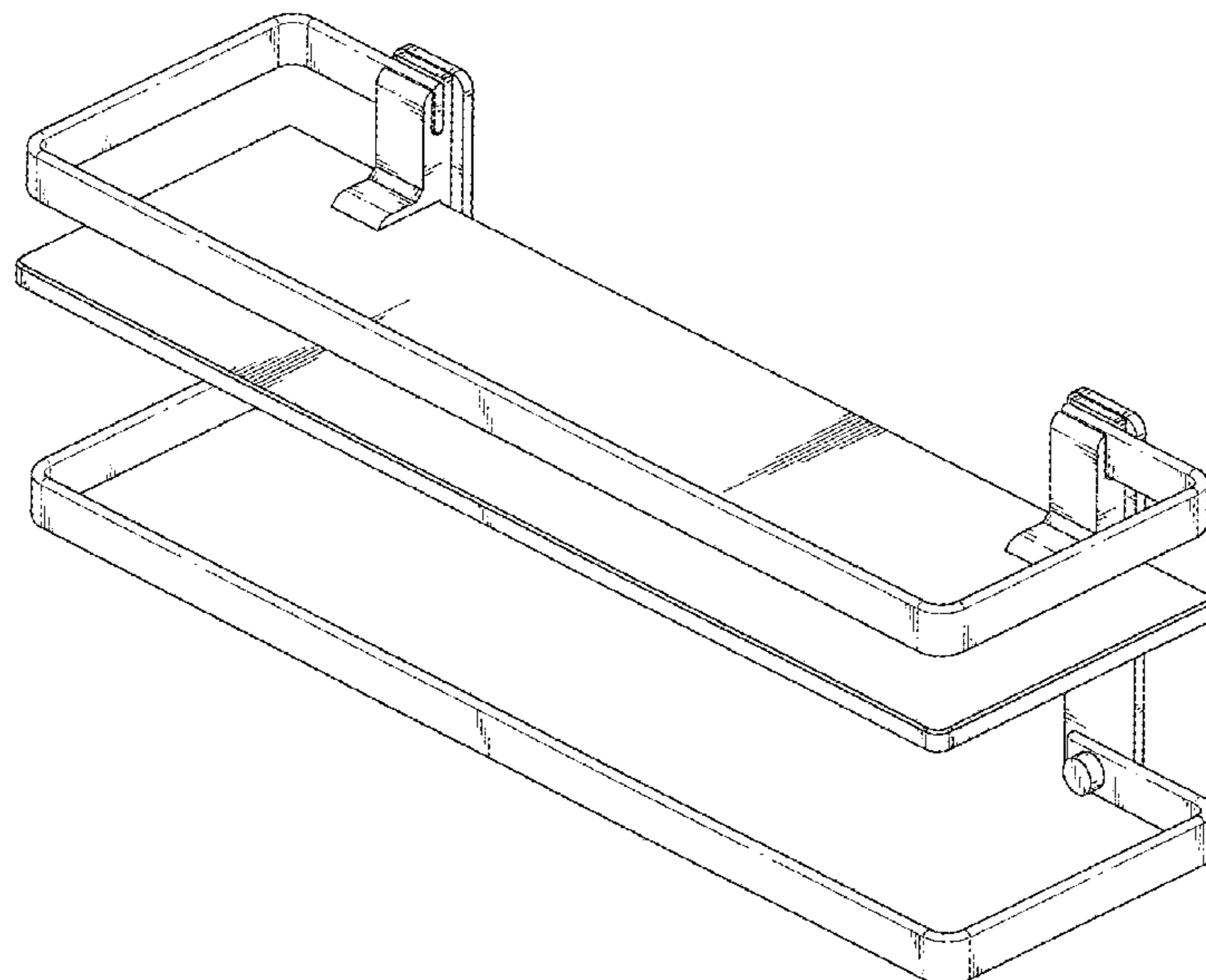
(57) **CLAIM**

The ornamental design for a shelf, as shown and described.

**DESCRIPTION**

FIG. 1 is a front, right side, top perspective view of a shelf showing my new design;  
FIG. 2 is a front elevational view thereof;  
FIG. 3 is a rear elevational view thereof;  
FIG. 4 is a left side elevational view thereof;  
FIG. 5 is a right side elevational view thereof;  
FIG. 6 is a top plan view thereof; and,  
FIG. 7 is a bottom plan view thereof.

**1 Claim, 7 Drawing Sheets**



(56)

References Cited

U.S. PATENT DOCUMENTS

D489,927 S \* 5/2004 Hoernig ..... D6/574  
 D492,866 S \* 7/2004 Graves ..... D6/524  
 D493,313 S \* 7/2004 Hoernig ..... D6/524  
 D493,316 S \* 7/2004 Hoernig ..... D6/524  
 D495,180 S \* 8/2004 Painter ..... D6/527  
 D499,296 S \* 12/2004 Suero, Jr. .... D6/574  
 D501,622 S \* 2/2005 Hoernig ..... D6/574  
 D514,363 S \* 2/2006 Hoernig ..... D6/574  
 D519,769 S \* 5/2006 Hoernig ..... D6/574  
 D559,602 S \* 1/2008 Bickler ..... D6/549  
 D649,985 S \* 12/2011 Jeon ..... D15/89  
 D661,325 S \* 6/2012 Yang ..... D15/89  
 D671,778 S \* 12/2012 Kwok ..... D6/549  
 D671,781 S \* 12/2012 Kwok ..... D6/574  
 D711,155 S \* 8/2014 OBrien ..... D6/550  
 D711,668 S \* 8/2014 Fritz ..... D6/574  
 D716,850 S \* 11/2014 Seo ..... D15/89  
 D770,200 S \* 11/2016 Garland ..... D6/574  
 D847,535 S \* 5/2019 Goodman ..... D6/567  
 D889,880 S \* 7/2020 Jin ..... D6/546  
 D911,741 S \* 3/2021 Lazarini ..... D6/549  
 D931,010 S \* 9/2021 Eads ..... D6/549  
 D932,210 S \* 10/2021 Hong ..... D6/574  
 D935,801 S \* 11/2021 Wang ..... D6/574  
 D940,483 S \* 1/2022 Klein ..... D6/675.5  
 11,224,289 B1 \* 1/2022 Hutson ..... A47B 96/028  
 2013/0270200 A1 \* 10/2013 Kuhlman ..... A47B 96/02  
 211/2  
 2021/0401174 A1 \* 12/2021 Chavan ..... F25D 25/02  
 2021/0401175 A1 \* 12/2021 LeBlanc ..... A47B 96/067

FOREIGN PATENT DOCUMENTS

CN 304830342 \* 9/2018  
 CN 305914700 \* 7/2020

CN 306227541 \* 12/2020  
 IN 297097-001 \* 8/2017  
 WO WO-D100614-081 \* 4/2018

OTHER PUBLICATIONS

Bathroom Glass Shelf Double Wall Mounted by KES, first available: Apr. 10, 2015. Amazon.com [online], [site visited Sep. 21, 2021], Internet URL: [https://www.amazon.com/Bathroom-Lavatory-Brushed-Stainless-BGS2202B-2/dp/B00VWIQ7Z6/ref=sr\\_1\\_20](https://www.amazon.com/Bathroom-Lavatory-Brushed-Stainless-BGS2202B-2/dp/B00VWIQ7Z6/ref=sr_1_20) (Year: 2015).\*

Bathroom Glass Shelf with Anodized Aluminum Towel Bar, first available: Jul. 20, 2019. Amazon.com [online], [site visited Sep. 21, 2021], Internet URL: [https://www.amazon.com/dp/B07VBRX339/ref=sspa\\_dk\\_detail\\_3](https://www.amazon.com/dp/B07VBRX339/ref=sspa_dk_detail_3) (Year: 2019).\*

Aluminum Bathroom Glass Shelf 2 Tier Tempered Glass by KES, first available May 28, 2014. Amazon.com [online], [site visited Sep. 21, 2021], Internet URL: [https://www.amazon.com/Aluminum-Bathroom-Rectangular-Mounted-Tempered/dp/B00J3H6A28/ref=sr\\_1\\_16?](https://www.amazon.com/Aluminum-Bathroom-Rectangular-Mounted-Tempered/dp/B00J3H6A28/ref=sr_1_16?) (Year: 2014).\*

Bathroom Shelves Rectangular Tempered Glass by Danpoo Store, first available: Nov. 1, 2020. Amazon.com [online], [site visited Jan. 21, 2022], Internet URL: [https://www.amazon.com/Bathroom-Shelving-Solution-Rectangular-Organizer/dp/B09576QVLZ/ref=sr\\_1\\_152?th=1](https://www.amazon.com/Bathroom-Shelving-Solution-Rectangular-Organizer/dp/B09576QVLZ/ref=sr_1_152?th=1) (Year: 2020).\*

Bathroom Shelves Wall Mounted by Danpoo Store, first available: Oct. 17, 2020. Amazon.com [online], [site visited Jan. 21, 2022], Internet URL: [https://www.amazon.com/Bathroom-Shelving-Solution-Rectangular-Organizer/dp/B08LB28X1T/ref=sr\\_1\\_150?th=1](https://www.amazon.com/Bathroom-Shelving-Solution-Rectangular-Organizer/dp/B08LB28X1T/ref=sr_1_150?th=1) (Year: 2020).\*

\* cited by examiner

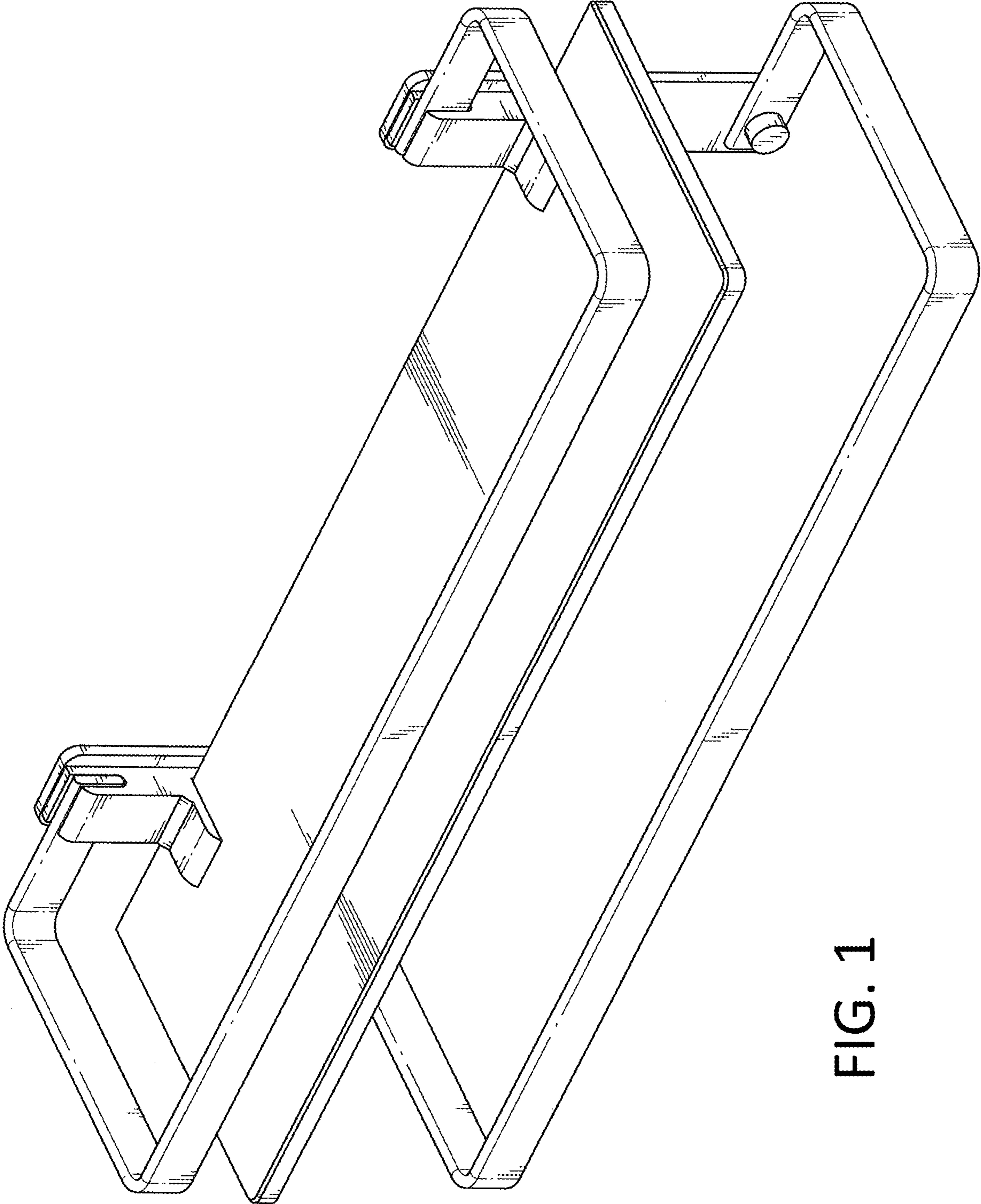


FIG. 1



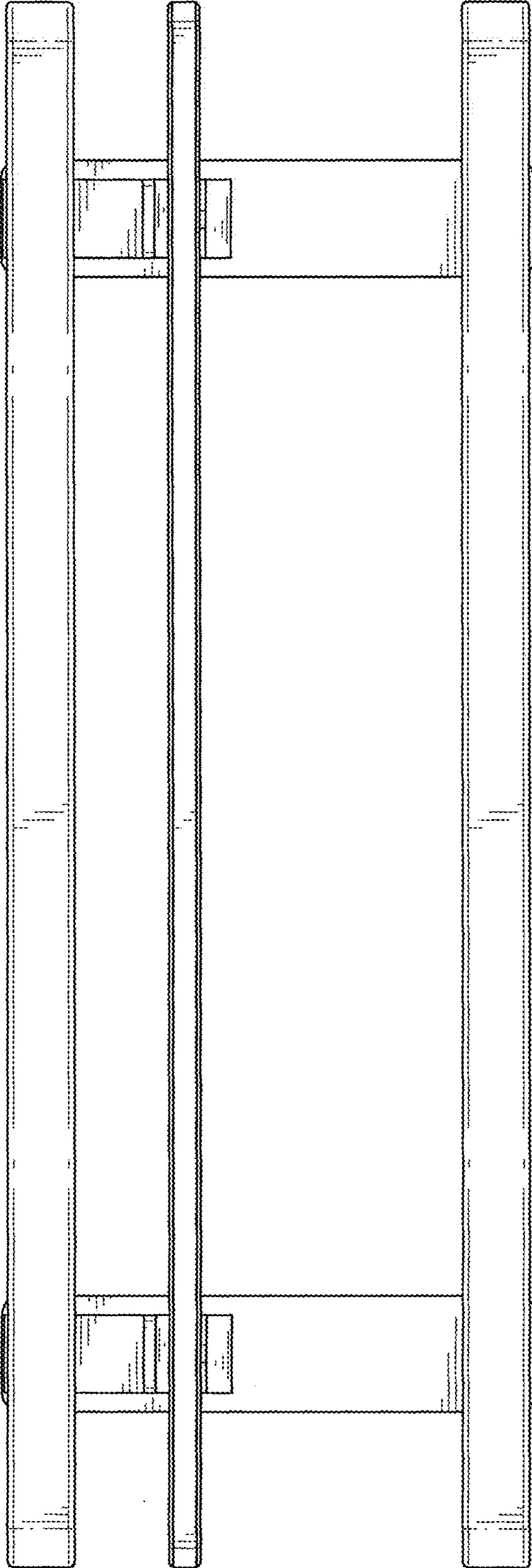


FIG. 2

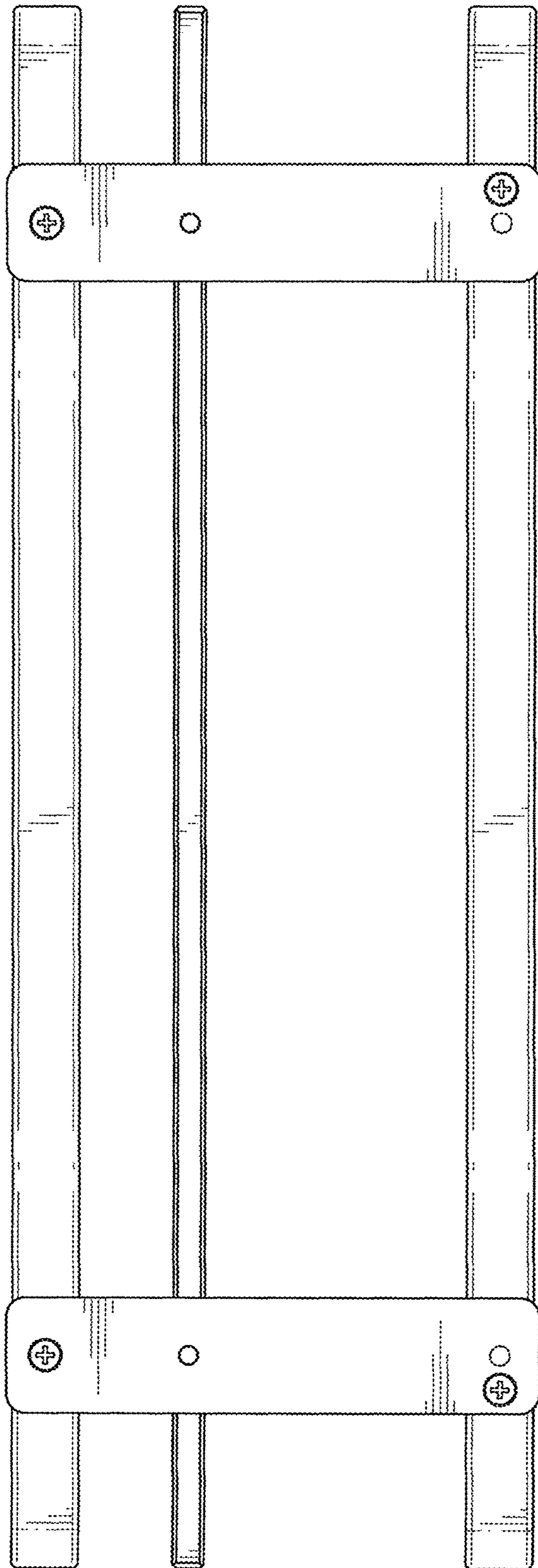


FIG. 3

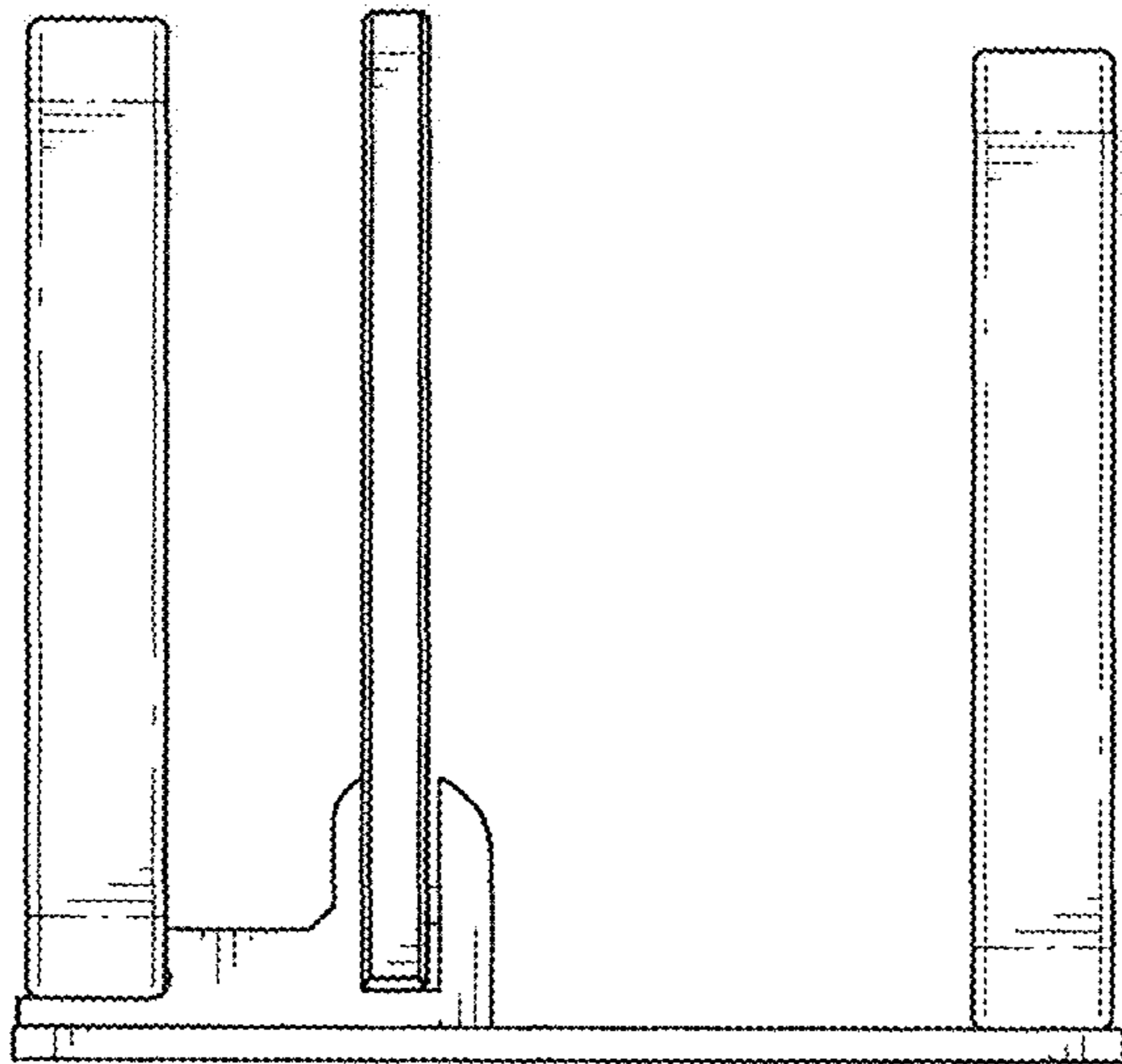


FIG. 4

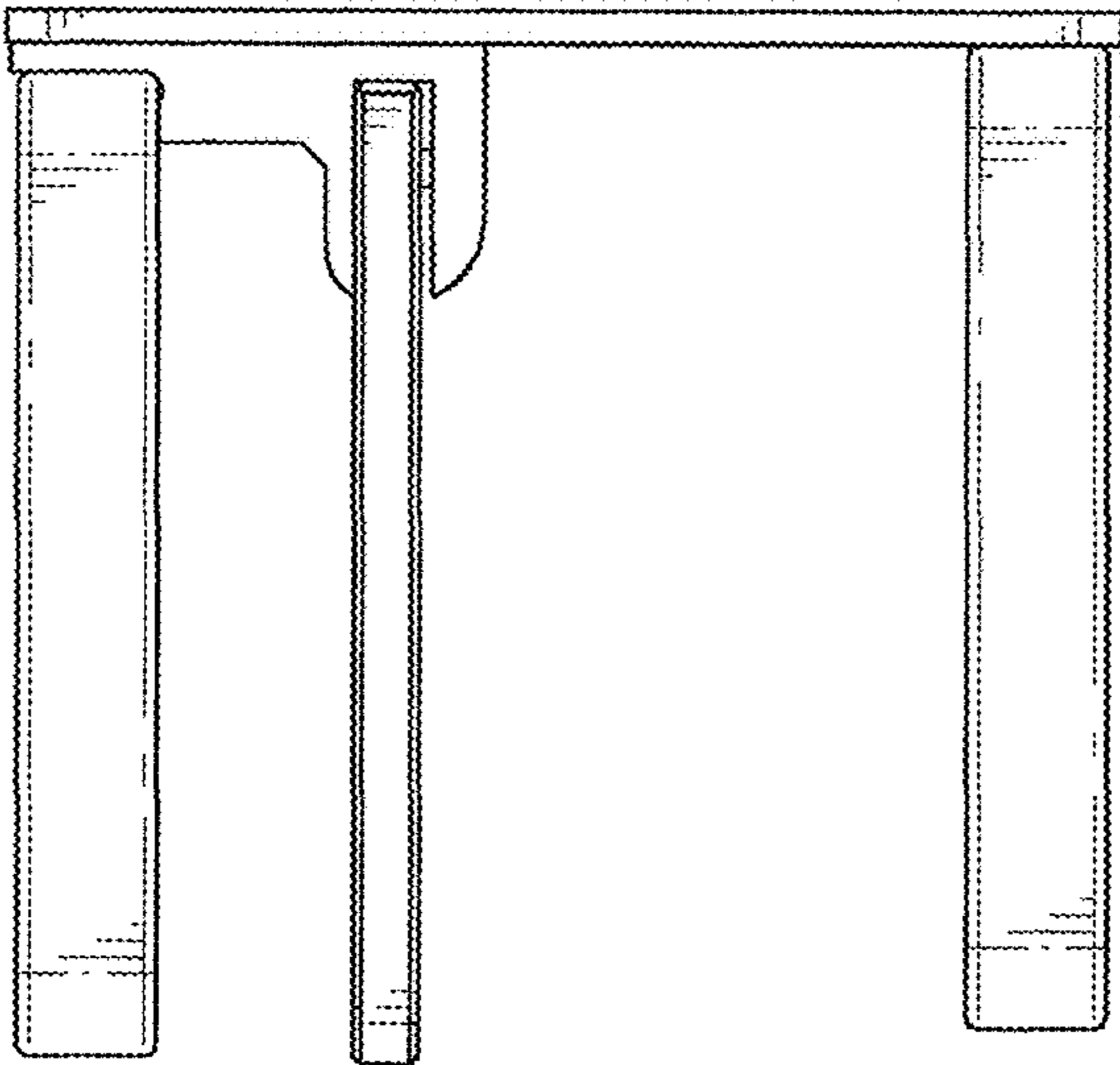


FIG. 5

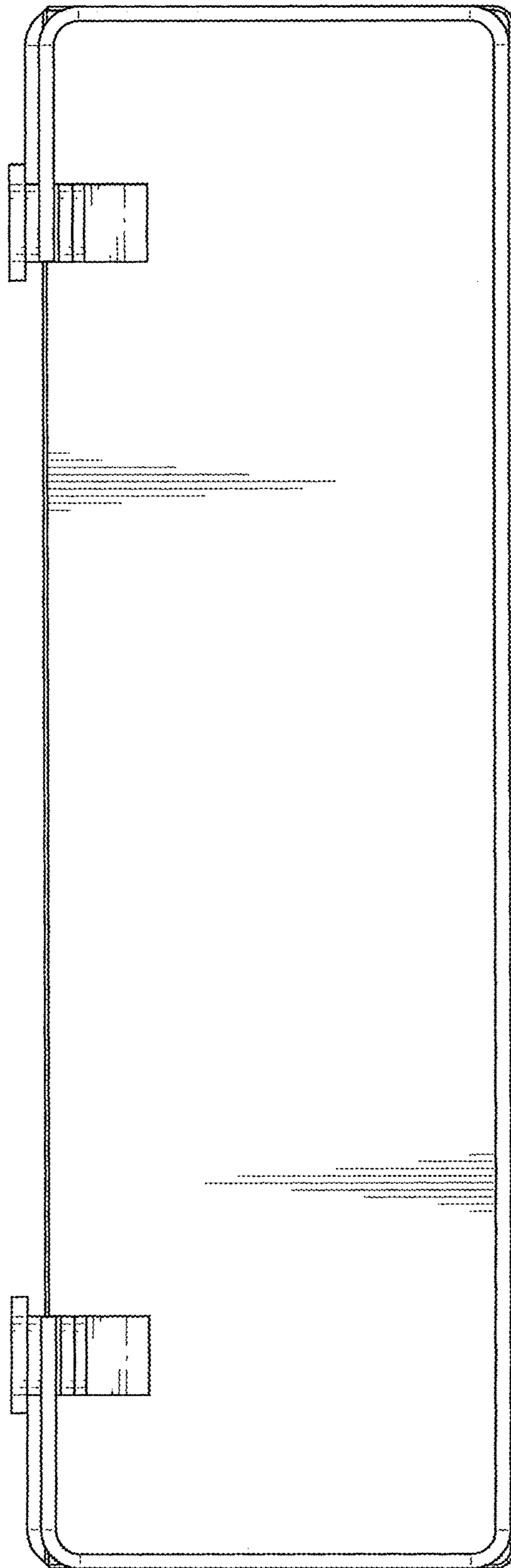


FIG. 6



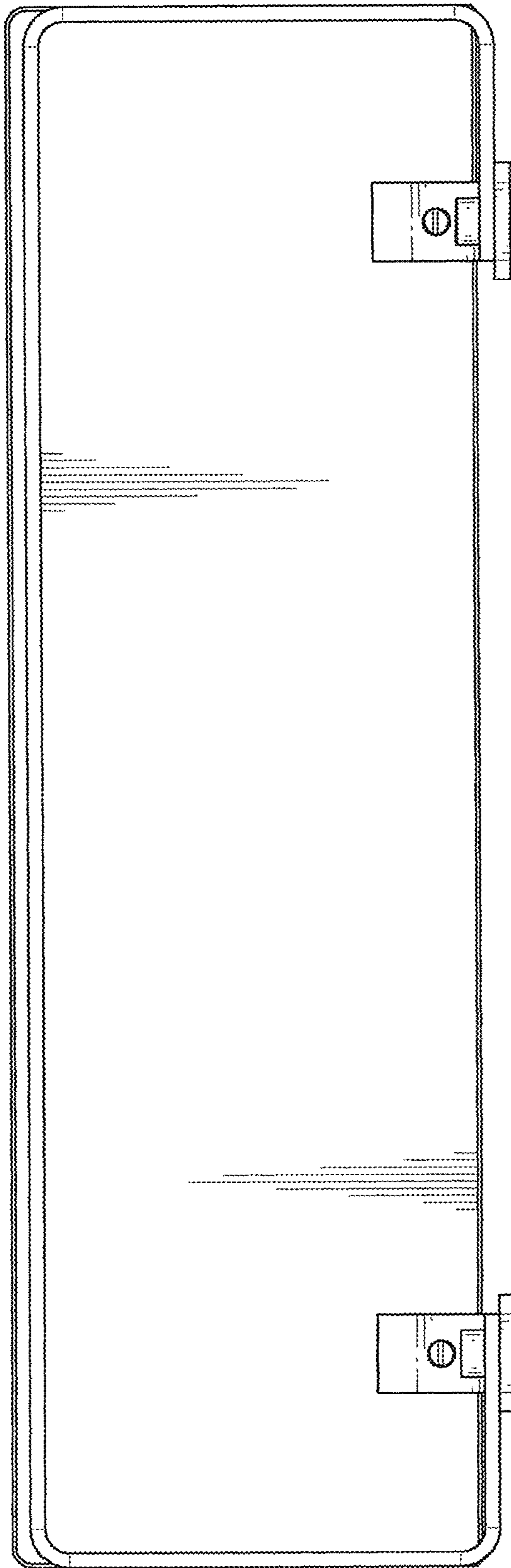


FIG. 7