



US00D953777S

(12) **United States Design Patent**
Estep

(10) **Patent No.:** **US D953,777 S**
(45) **Date of Patent:** **** Jun. 7, 2022**

(54) **DEVICE FOR FACILITATING PLACEMENT OF A CASE ON A PILLOW**

(71) Applicant: **Helen Estep**, Palm City, FL (US)

(72) Inventor: **Helen Estep**, Palm City, FL (US)

(**) Term: **15 Years**

(21) Appl. No.: **29/707,927**

(22) Filed: **Oct. 2, 2019**

(51) **LOC (13) Cl.** **06-99**

(52) **U.S. Cl.**
USPC **D6/607**

(58) **Field of Classification Search**
USPC D6/595-608; D28/62; D32/401
CPC A47C 21/028; A47C 21/02; A47C 31/00;
A47G 9/0253; A47G 9/10; A47G 9/04;
B65D 85/16

See application file for complete search history.

(56) **References Cited**

U.S. PATENT DOCUMENTS

1,275,205	A *	8/1918	Bigham et al.	A47G 9/0253
				5/490
1,743,329	A *	1/1930	Dougherty	A47C 21/026
				5/489
5,673,446	A *	10/1997	Moen	A47C 21/028
				5/489
D472,746	S *	4/2003	Hall	D6/607
6,839,923	B2 *	1/2005	Blessman	A47G 9/0253
				5/489
D583,607	S *	12/2008	Hanson	D6/607
7,971,294	B1 *	7/2011	Murauskos	A47G 9/0253
				5/489
D772,612	S *	11/2016	Wentz	D6/608
D786,585	S *	5/2017	Wentz	D6/608
9,713,390	B1 *	7/2017	Charters	A47G 9/0253
9,833,082	B1 *	12/2017	Rutkowski	A47G 9/0253
D829,022	S *	9/2018	McAfee	D6/603

D881,472	S *	4/2020	Vosbikian	D28/62
10,980,350	B1 *	4/2021	Hutchings	A47C 21/028
2009/0144901	A1 *	6/2009	Zorger	A47G 9/0253
				5/489
2010/0107339	A1 *	5/2010	Stinchcomb	A47G 9/04
				5/502
2014/0196214	A1 *	7/2014	DuPre	A47G 9/0253
				5/644

(Continued)

Primary Examiner — Jennifer L Rempfer

(74) *Attorney, Agent, or Firm* — Mammen (“Roy”) P. Zachariah, Jr.; Greenberg Traurig LLP

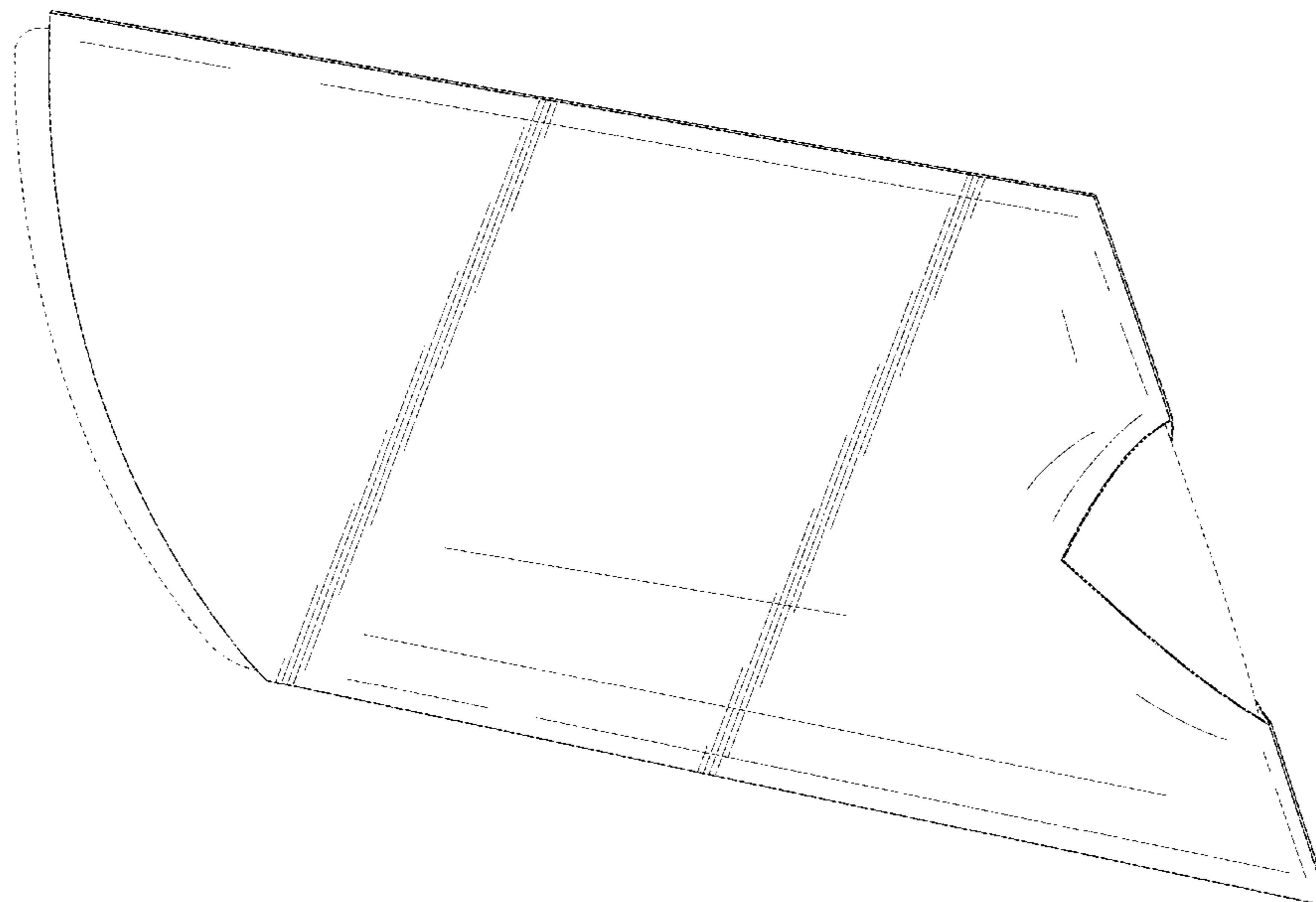
(57) **CLAIM**

The ornamental design for a device for facilitating placement of a case on a pillow, as shown and described.

DESCRIPTION

FIG. 1 is a perspective view of the device for facilitating placement of a case on a pillow showing my new design; FIG. 2 is an alternative perspective view thereof; FIG. 3 is a front plan view thereof; FIG. 4 is an alternative front plan view thereof; FIG. 5 is a top plan view thereof; FIG. 6 is a bottom plan view thereof; FIG. 7 is a right side elevation view thereof; FIG. 8 is a left side elevation view thereof; FIG. 9 is a perspective view of the device for facilitating placement of case on a pillow depicting the device covering the pillow; FIG. 10 is a front plant view thereof; FIG. 11 is an alternative front plan view thereof; FIG. 12 is a top plan view thereof; FIG. 13 is a bottom plan view thereof; FIG. 14 is a right side elevation view thereof; and, FIG. 15 is a left side elevation view thereof. The portions shown in broken lines form no part of the claimed design.

1 Claim, 11 Drawing Sheets



(56)

References Cited

U.S. PATENT DOCUMENTS

2015/0028639 A1* 1/2015 Brown B62B 9/108
297/184.13

* cited by examiner

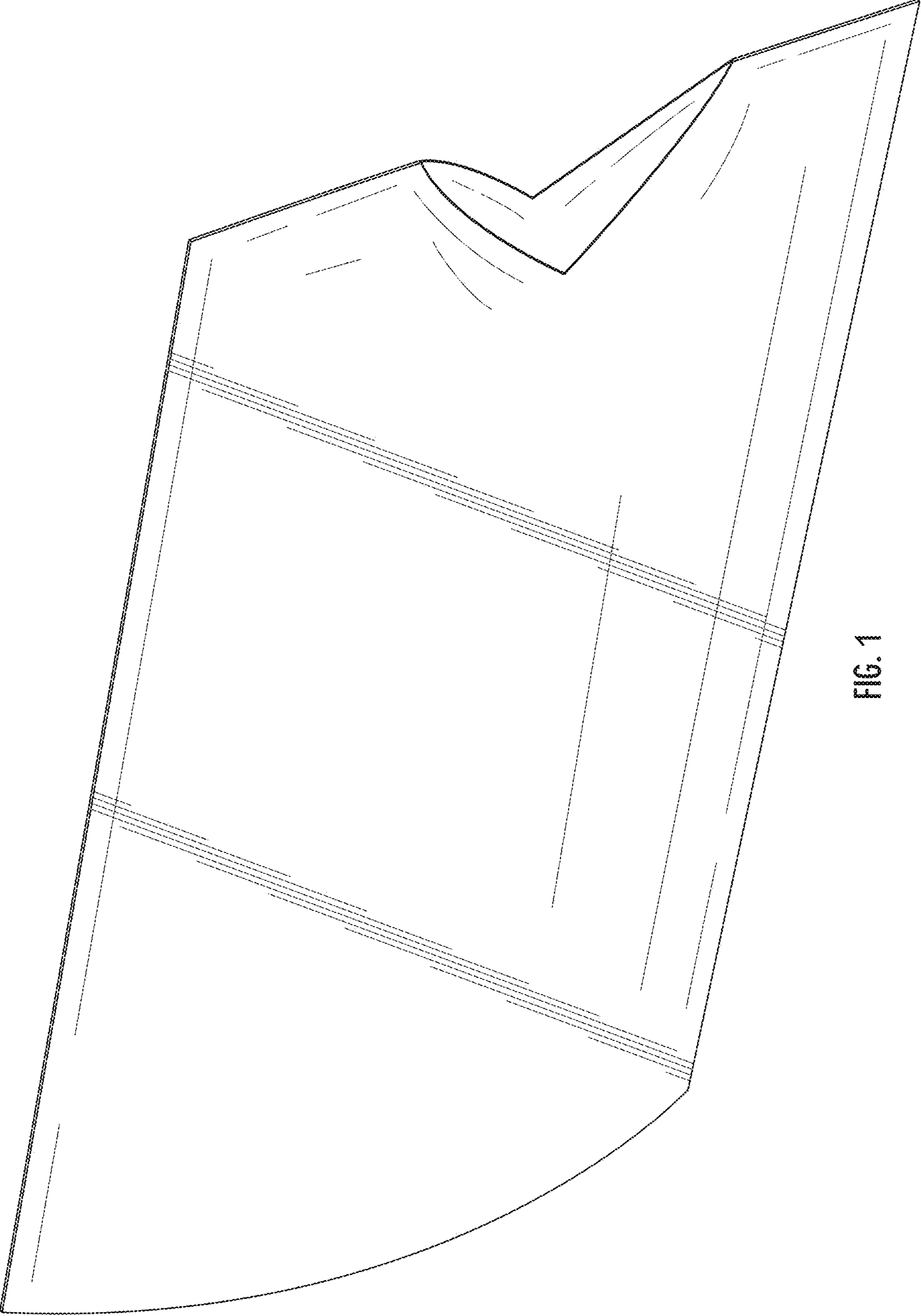


FIG. 1

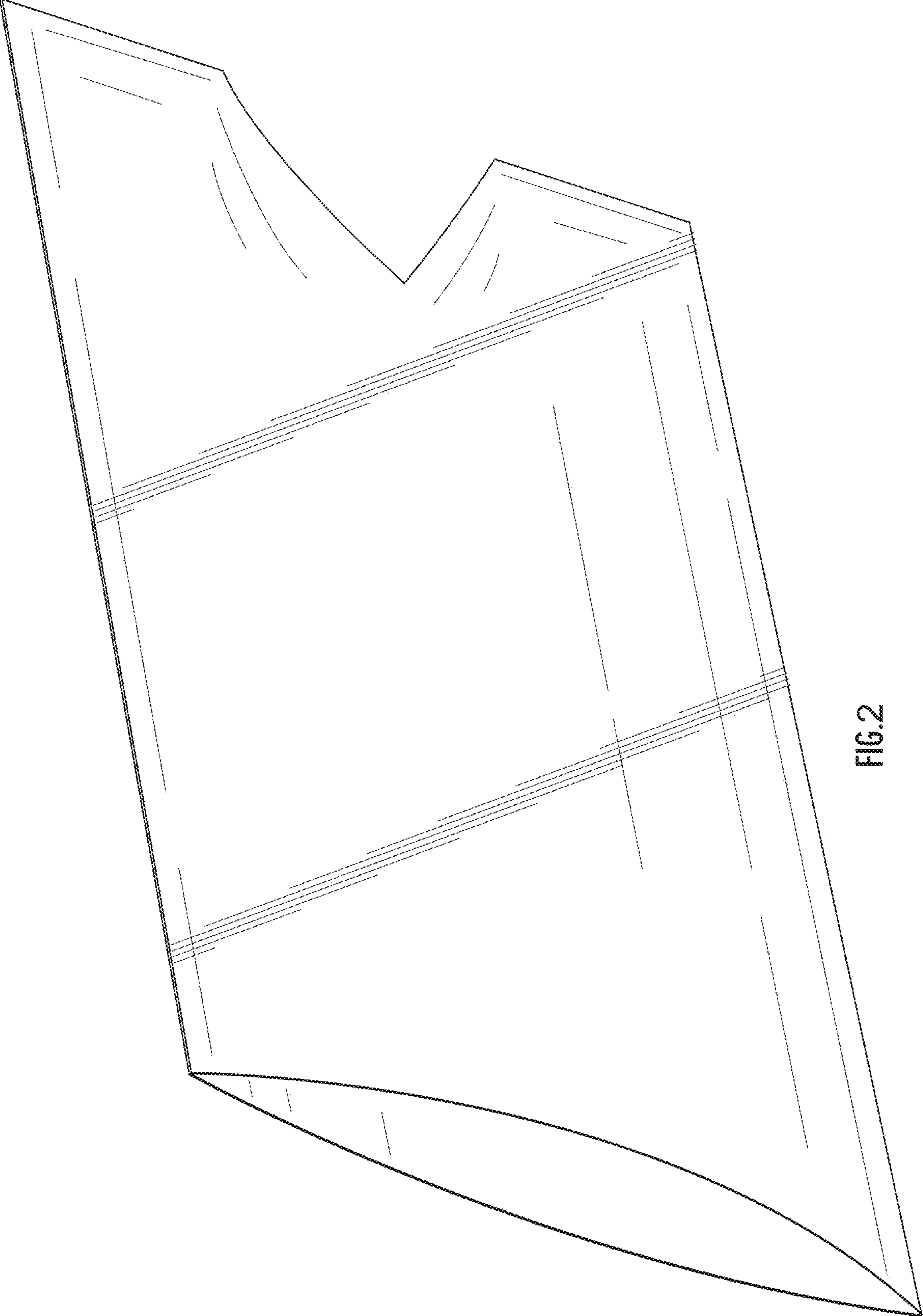


FIG. 2

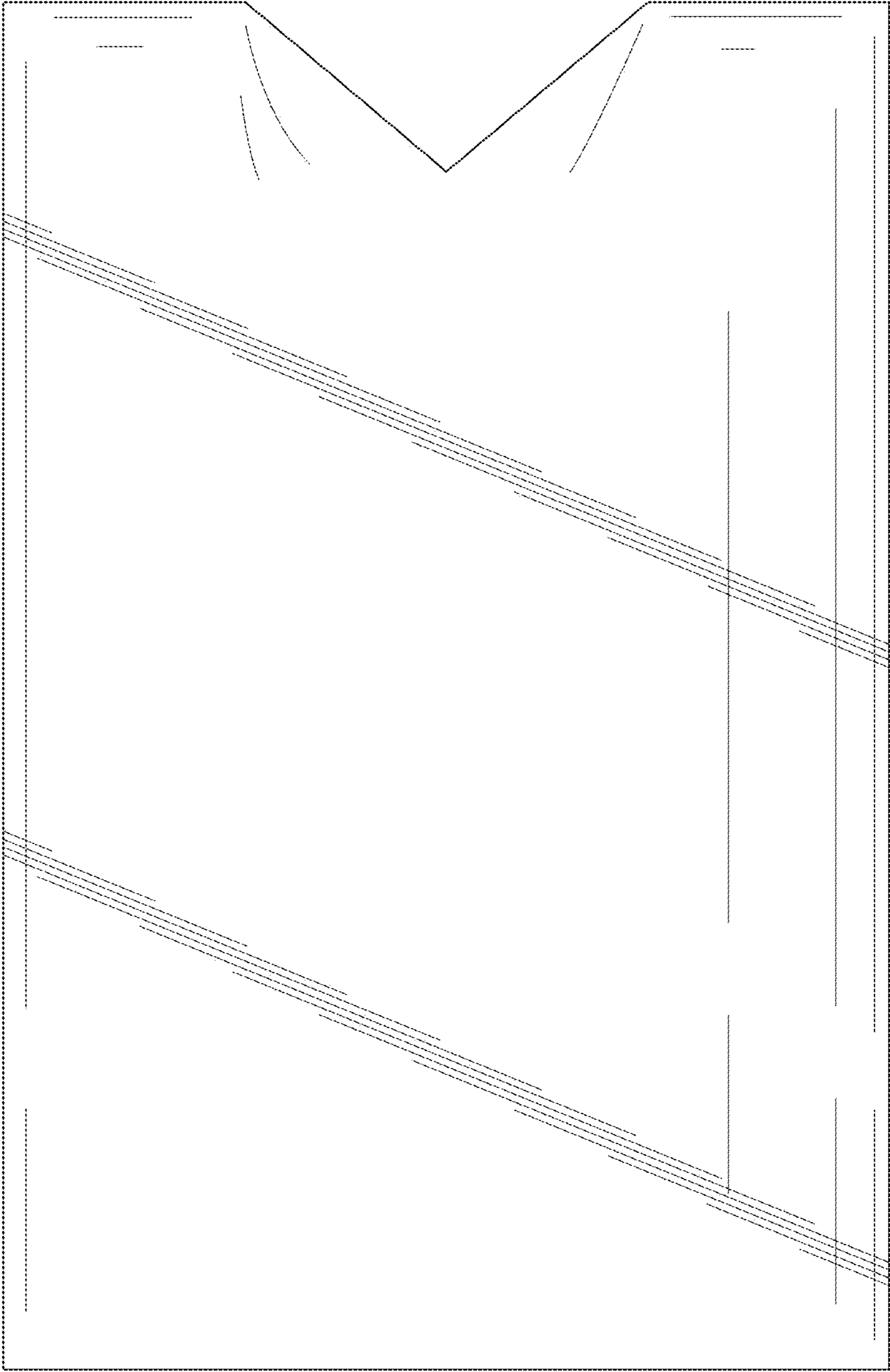


FIG. 3

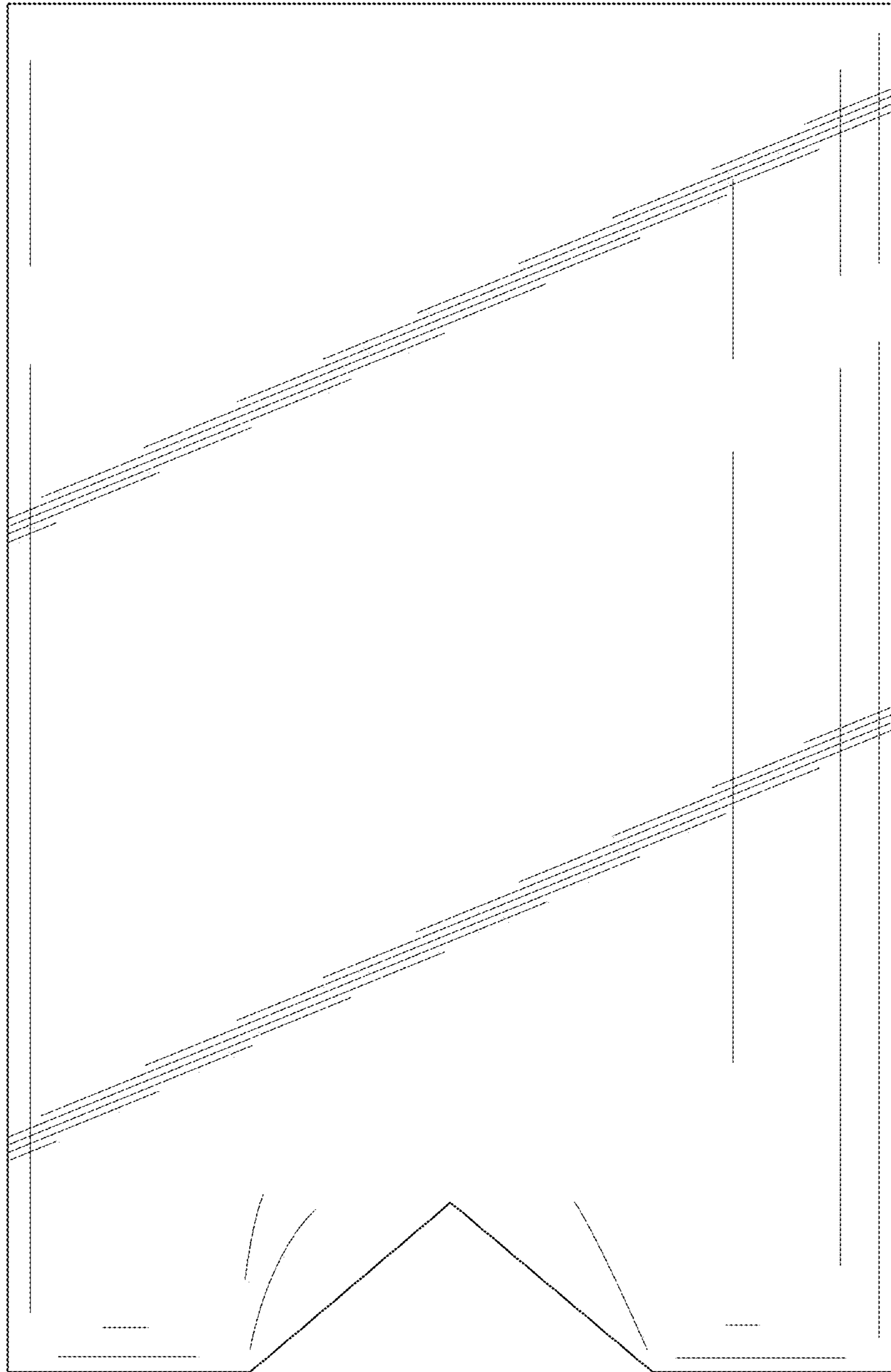


FIG. 4

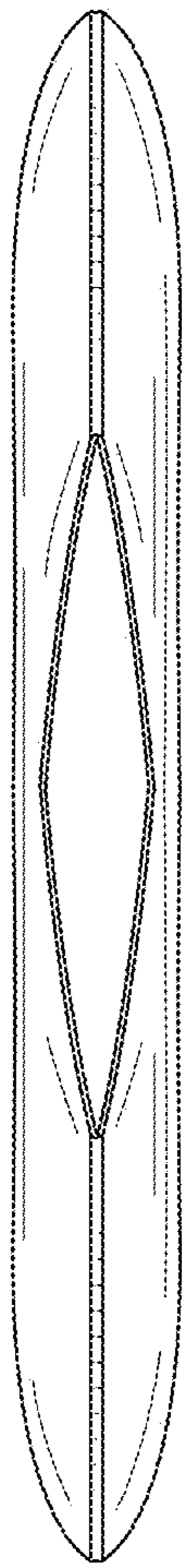


FIG. 5

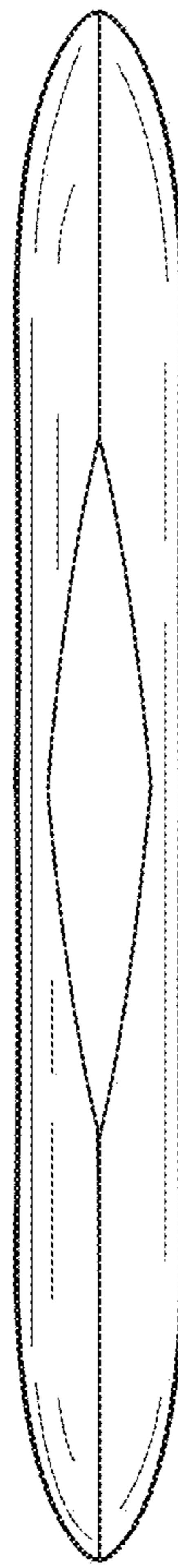


FIG. 6

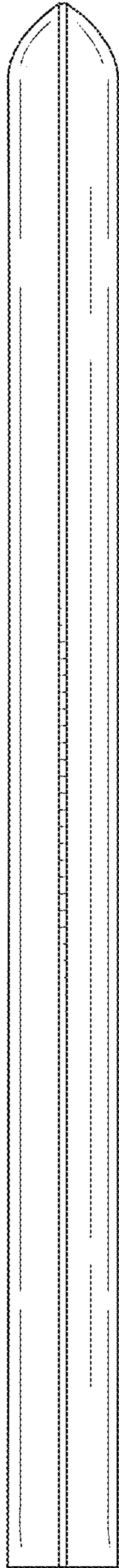


FIG. 7

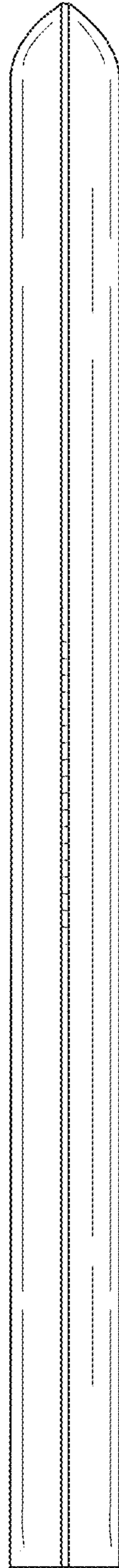


FIG. 8

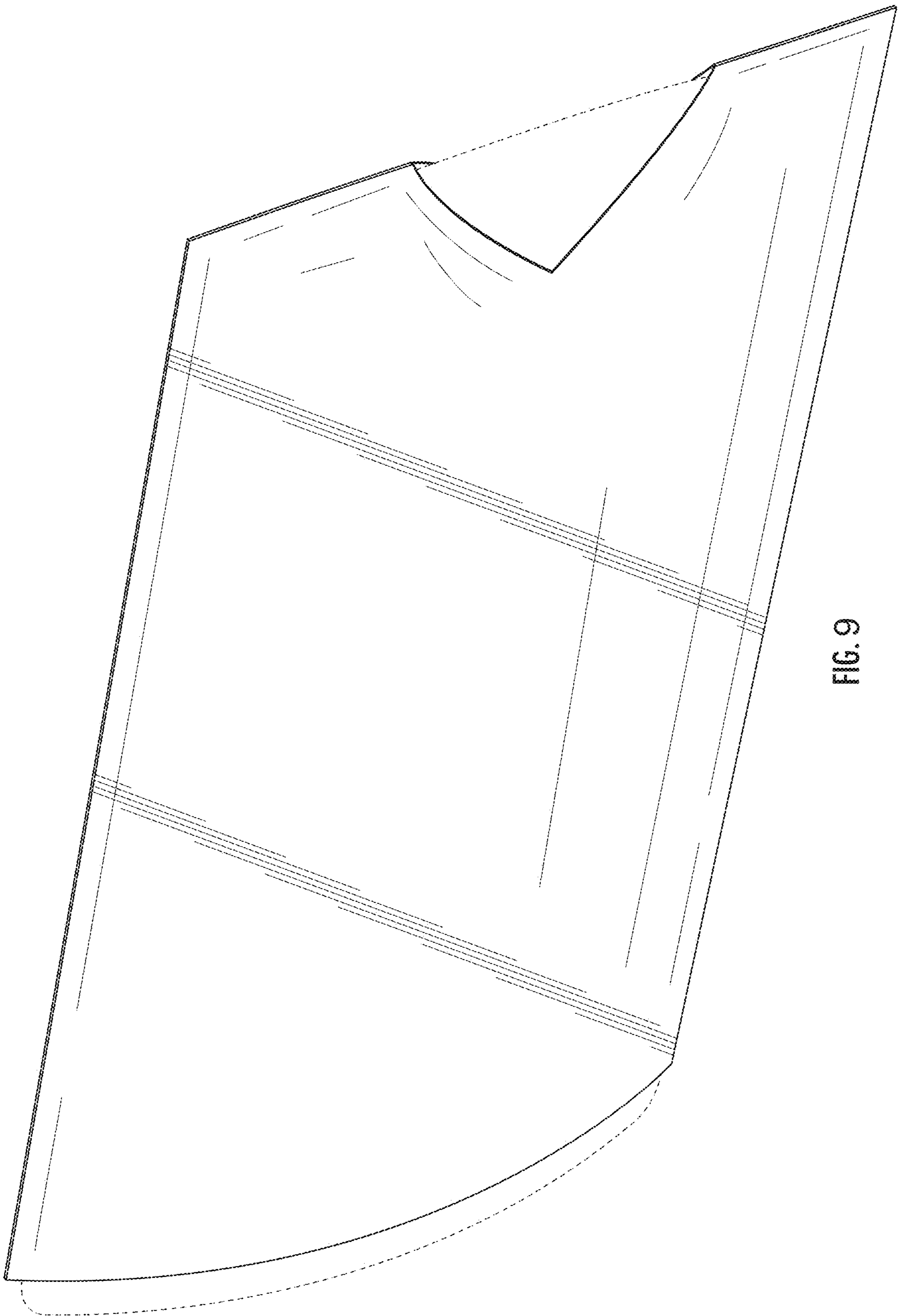


FIG. 9

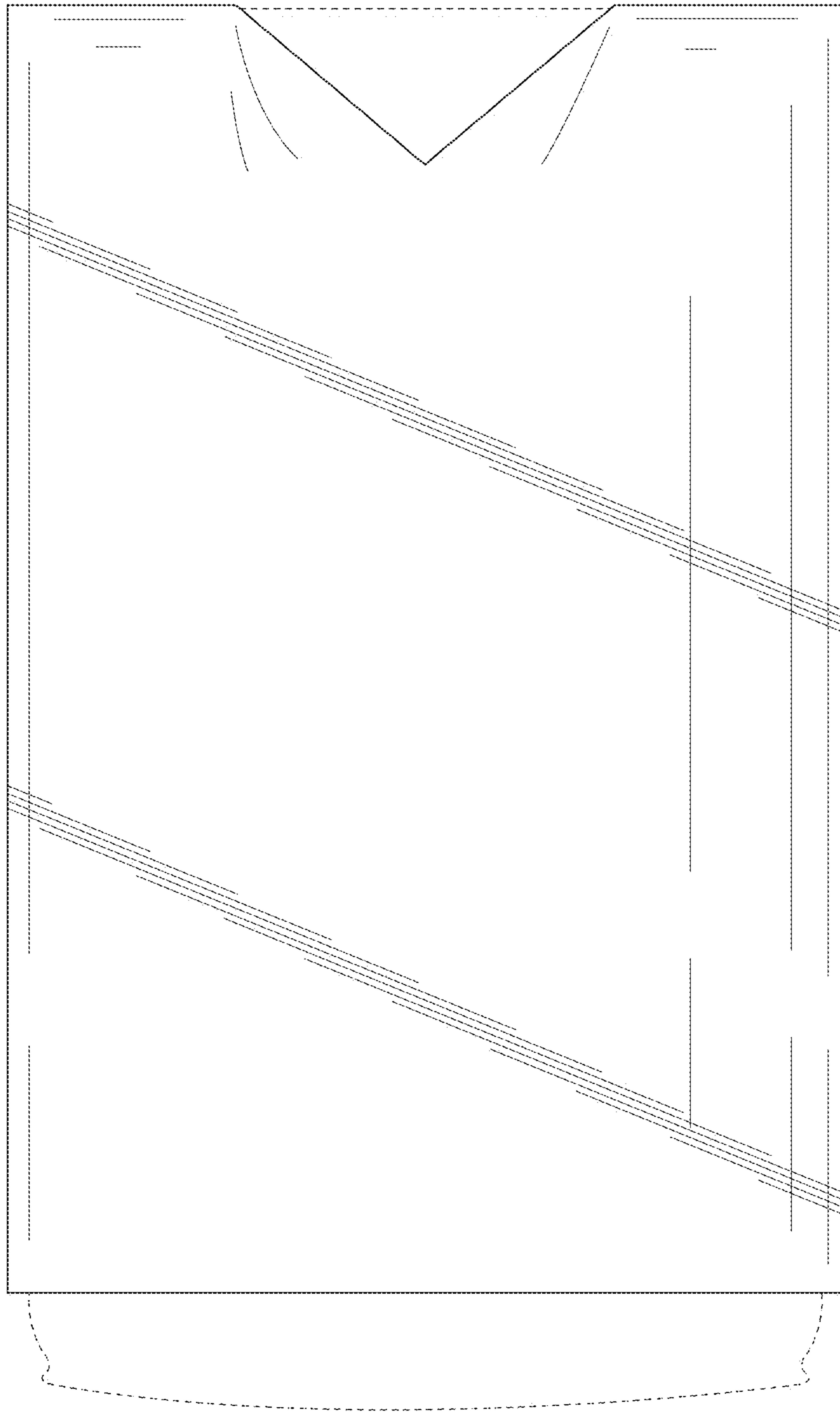


FIG. 10

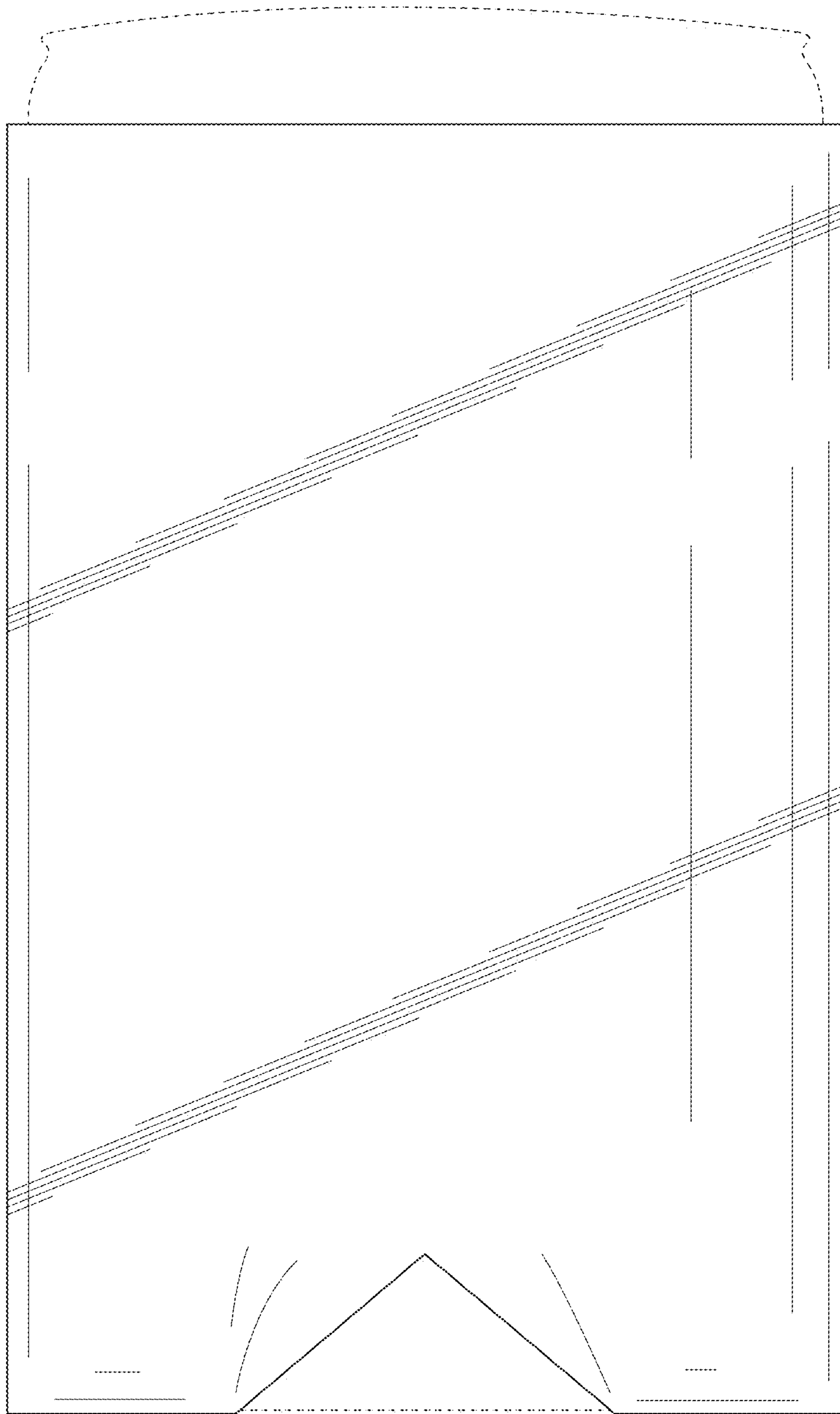


FIG. 11

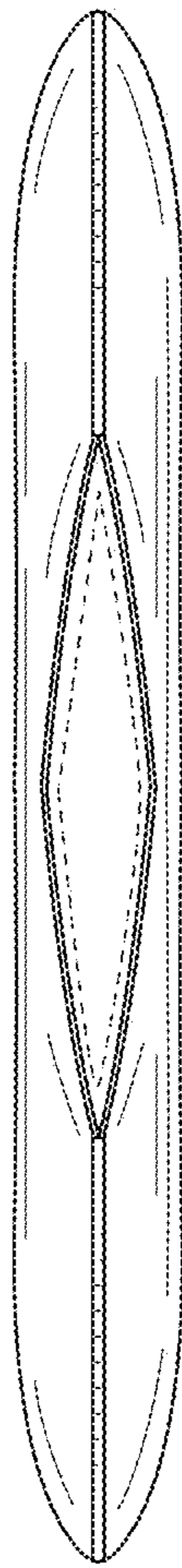


FIG. 12

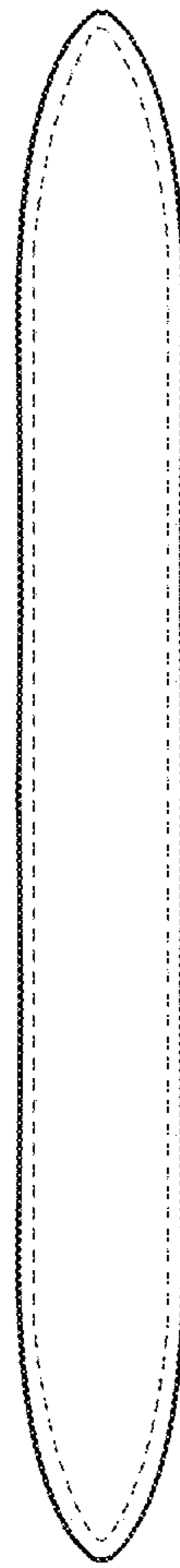


FIG. 13

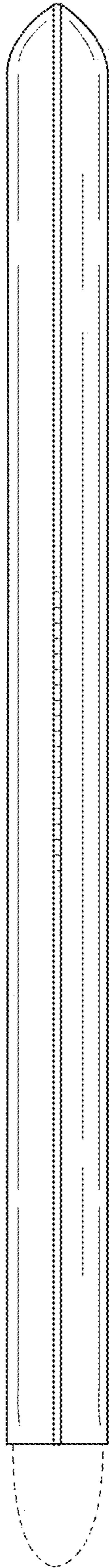


FIG. 14

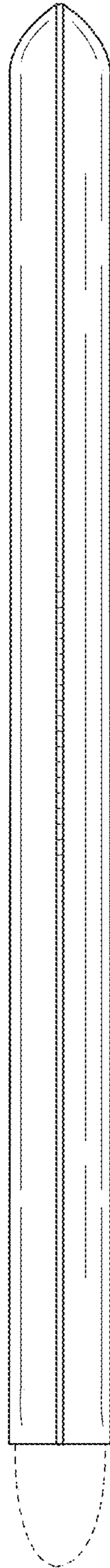


FIG. 15