



US00D953775S

(12) **United States Design Patent** (10) **Patent No.:** **US D953,775 S**  
**Setton** (45) **Date of Patent:** **\*\* Jun. 7, 2022**

(54) **CUSHION SET** 4,970,742 A \* 11/1990 Keener ..... A47C 20/027  
5/640  
(71) Applicant: **EMES Commerce Group Inc.,** D318,392 S 7/1991 Edelson  
Brooklyn, NY (US) D319,365 S 8/1991 Edelson  
D336,134 S \* 6/1993 Kalatsky ..... D6/601  
(72) Inventor: **Daniel Setton,** Brooklyn, NY (US) (Continued)

(73) Assignee: **EMES COMMERCE GROUP INC.,**  
Brooklyn, NY (US)  
(\*\*) Term: **15 Years**

**FOREIGN PATENT DOCUMENTS**

CN 303039348 12/2014  
CN 304295963 9/2017  
TW M610390 4/2021

(21) Appl. No.: **29/802,476**

**OTHER PUBLICATIONS**

(22) Filed: **Aug. 5, 2021**  
(51) **LOC (13) Cl.** ..... **06-09**  
(52) **U.S. Cl.**  
USPC ..... **D6/601**  
(58) **Field of Classification Search**  
USPC ..... D6/595, 596, 601, 604, 605, 606, 607,  
D6/608, 609; 5/413 AM, 690, 706, 961,  
5/716, 717, 718, 721, 495, 496, 497, 498,  
5/499, 490, 491  
CPC ..... A47C 19/00; A47C 23/00; A47C 21/026;  
A47C 27/00; A47C 27/06; A47C 27/08;  
A47C 27/081; A47C 27/082; A47G 9/10;  
A47G 9/1009; A47G 9/1027; A47G  
9/1045; A47G 9/1063; A47G 9/1072;  
A47G 9/1081

Lisenwood Foam Bed Wedge Pillow, earliest pictured review avail-  
able Sep. 22, 2021 [online], [site visited Mar. 25, 2022] <URL:  
<https://www.amazon.com/Lisenwood-Foam-Bed-Wedge-Pillow/dp/B07SQYSRPQ?th=1>> (Year: 2021).\*

(Continued)

*Primary Examiner* — Sanjeev Paul  
(74) *Attorney, Agent, or Firm* — Tarter Krinsky & Drogin  
LLP

See application file for complete search history.

(57) **CLAIM**

The ornamental design for a cushion, set as shown and described.

(56) **References Cited**

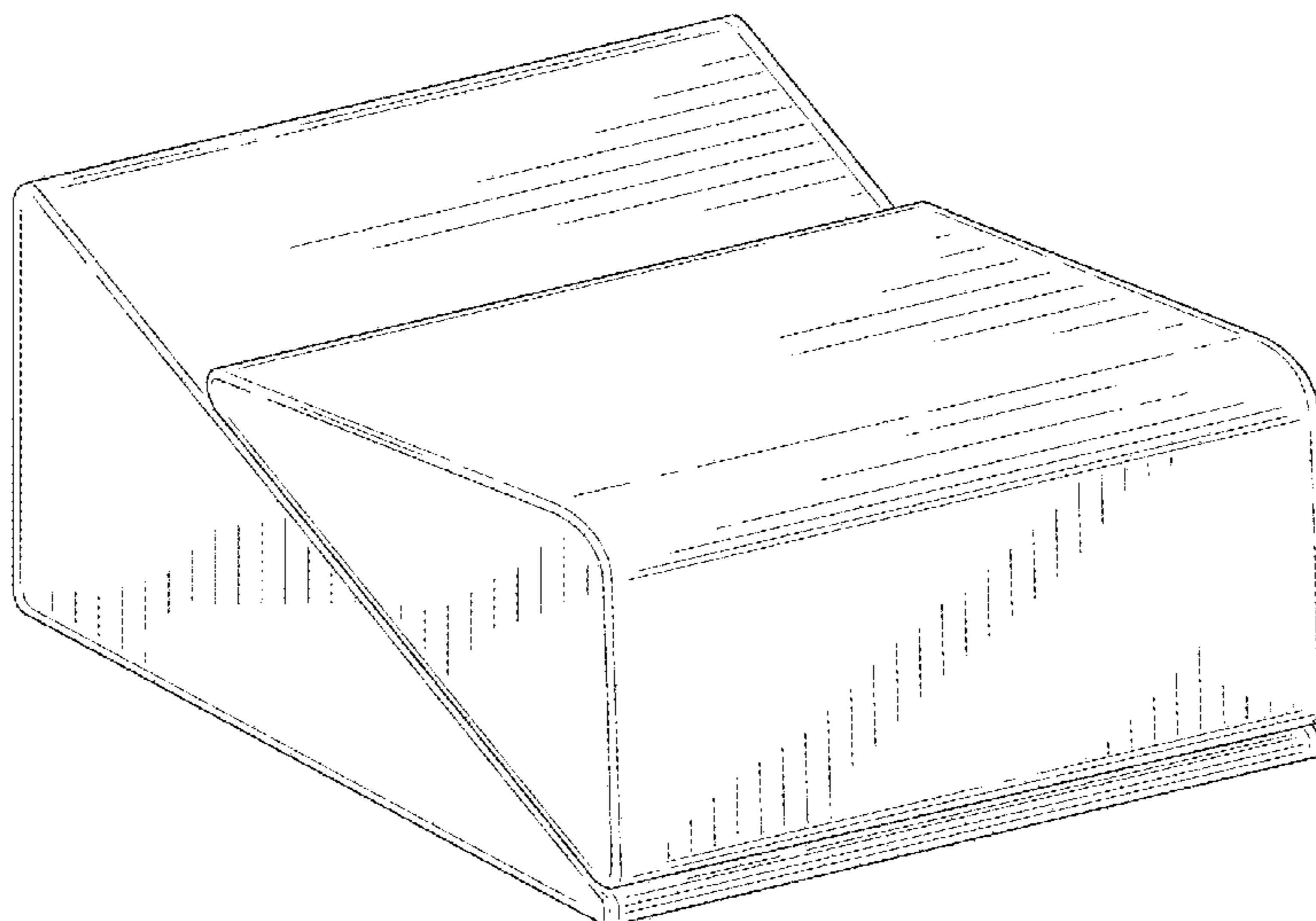
**DESCRIPTION**

**U.S. PATENT DOCUMENTS**

D246,816 S 1/1978 Tam et al.  
4,193,150 A \* 3/1980 Vineberg ..... A47C 20/027  
D6/601  
4,484,781 A \* 11/1984 Phelps ..... A47C 15/006  
297/452.41  
D282,802 S 3/1986 Righini  
D282,803 S 3/1986 Righini  
4,635,306 A \* 1/1987 Willey ..... A47C 16/005  
D6/601  
D289,354 S \* 4/1987 Willey ..... D6/601

FIG. 1 is a side perspective view of the cushion set showing my new design.  
FIG. 2 is a left side view thereof.  
FIG. 3 is a right side view thereof.  
FIG. 4 is front view thereof.  
FIG. 5 is a rear view thereof.  
FIG. 6 is a top view thereof.  
FIG. 7 is a bottom view thereof; and,  
FIG. 8 is an exploded perspective view thereof.

**1 Claim, 6 Drawing Sheets**



(56)

References Cited

U.S. PATENT DOCUMENTS

D360,554 S 7/1995 Righini  
 D376,945 S \* 12/1996 Bonaddio ..... D6/601  
 D398,181 S \* 9/1998 Lange ..... D6/601  
 D399,086 S 10/1998 Costantino  
 D408,676 S 4/1999 Straub et al.  
 D446,676 S \* 8/2001 Mayes ..... D6/601  
 6,578,217 B1 6/2003 Roberson  
 D504,270 S 4/2005 Lowenthal  
 6,925,669 B1 8/2005 Friedman  
 D523,679 S 6/2006 Illingworth  
 D543,064 S \* 5/2007 Hale ..... D6/596  
 D565,131 S \* 3/2008 Decker ..... D6/601  
 D576,439 S 9/2008 Yaroshenko  
 D578,219 S \* 10/2008 Daggett ..... D24/183  
 D596,368 S \* 7/2009 Holicki ..... D34/32  
 D604,549 S 11/2009 Yaroshenko  
 D610,852 S \* 3/2010 Rothschild ..... D6/601  
 D613,984 S \* 4/2010 Zummo ..... D6/587  
 D642,412 S 8/2011 Cuba  
 D644,402 S \* 8/2011 Shoup ..... D34/32  
 D653,489 S 2/2012 Perry et al.  
 D749,862 S 2/2016 Polk-Kuku  
 D753,312 S \* 4/2016 Long ..... D24/186  
 D771,414 S \* 11/2016 Krishtul ..... D6/601  
 D800,852 S \* 10/2017 Flook ..... D21/671  
 D805,325 S \* 12/2017 Chan ..... D6/601  
 D833,628 S \* 11/2018 Davis ..... D6/601  
 D872,504 S \* 1/2020 Toft ..... D6/601  
 D879,791 S \* 3/2020 Li ..... D14/447  
 D880,901 S \* 4/2020 Raad ..... D6/601  
 D882,296 S \* 4/2020 Huang ..... D6/601  
 D884,388 S \* 5/2020 Jung ..... D6/601  
 D906,733 S \* 1/2021 Graham ..... D6/601  
 D907,777 S \* 1/2021 Hahn ..... D24/190  
 D907,941 S \* 1/2021 Chanfrau, IV ..... D6/601

D911,748 S \* 3/2021 Luo ..... D6/601  
 D921,399 S \* 6/2021 Michover ..... D6/601  
 D929,770 S \* 9/2021 Moore ..... D6/601  
 D934,591 S \* 11/2021 Cuadra ..... D6/601  
 D936,390 S \* 11/2021 Xiang ..... D6/601  
 D936,391 S \* 11/2021 Xiang ..... D6/601  
 D941,060 S \* 1/2022 Kong ..... D6/601  
 2001/0044968 A1 \* 11/2001 Schmitter ..... A47C 20/00  
 5/652  
 2003/0038523 A1 \* 2/2003 Sands ..... A47C 17/045  
 297/452.16  
 2010/0262050 A1 \* 10/2010 Gasparovich ..... A47D 15/001  
 5/655

OTHER PUBLICATIONS

Google term search: “Wedge Pillow”, [online], [site visited Mar. 25, 2022] <URL: [https://www.google.com/search?q=wedge+pillow+set&sxsrf=APq-WBvevY\\_Vf1kZngjOODI1yPomDalWwQ:1648334167178&source=lnms&tbm=isch&sa=X&ved=2ahUKEwj7wYWk6-T2AhWwjQIHVq3DUgQ\\_AUoAnoECAEQBA&biw=1200&bih=1777&dpr=1](https://www.google.com/search?q=wedge+pillow+set&sxsrf=APq-WBvevY_Vf1kZngjOODI1yPomDalWwQ:1648334167178&source=lnms&tbm=isch&sa=X&ved=2ahUKEwj7wYWk6-T2AhWwjQIHVq3DUgQ_AUoAnoECAEQBA&biw=1200&bih=1777&dpr=1)> (Year: 2022).\*

Google Search: “[wedge pillow set before Aug. 5, 2021]”, [online], [site visited Mar. 25, 2022] <URL: [https://www.google.com/search?q=%5Bwedge+pillow+set+before+2021-08-05%5D&sxsrf=APq-WBsxedPoC2YFP9ia0vmeZVqdsDnCvA:1648339024455&source=lnms&tbm=isch&sa=X&ved=2ahUKEwj4oJaw\\_eT2AhWpJjQIHfGvAwoQ\\_AUoAXoECAEQAw&biw=1200&bih=1777&dpr=1](https://www.google.com/search?q=%5Bwedge+pillow+set+before+2021-08-05%5D&sxsrf=APq-WBsxedPoC2YFP9ia0vmeZVqdsDnCvA:1648339024455&source=lnms&tbm=isch&sa=X&ved=2ahUKEwj4oJaw_eT2AhWpJjQIHfGvAwoQ_AUoAXoECAEQAw&biw=1200&bih=1777&dpr=1)> (Year: 2022).\*

Walgreens, Wedge/Ramp Combo, Black, Jul. 14, 2021.  
 Amazon—LISENWOOD, Lisenwood Foam Bed Wedge Pillow Set, Jul. 14, 2021.  
 Amazon—N/A, Bed Wedge Pillow, Jul. 14, 2021.

\* cited by examiner

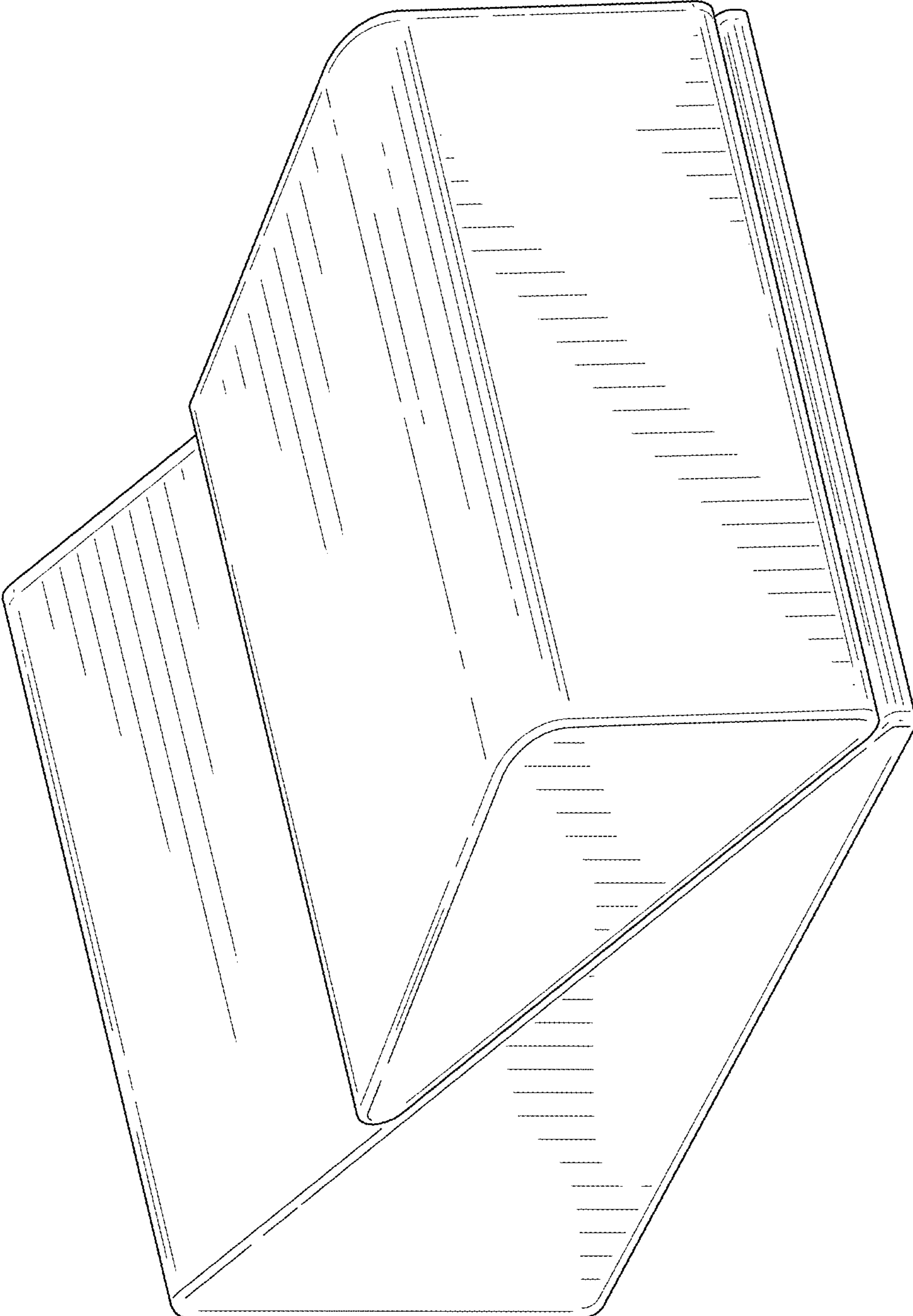


FIG. 1



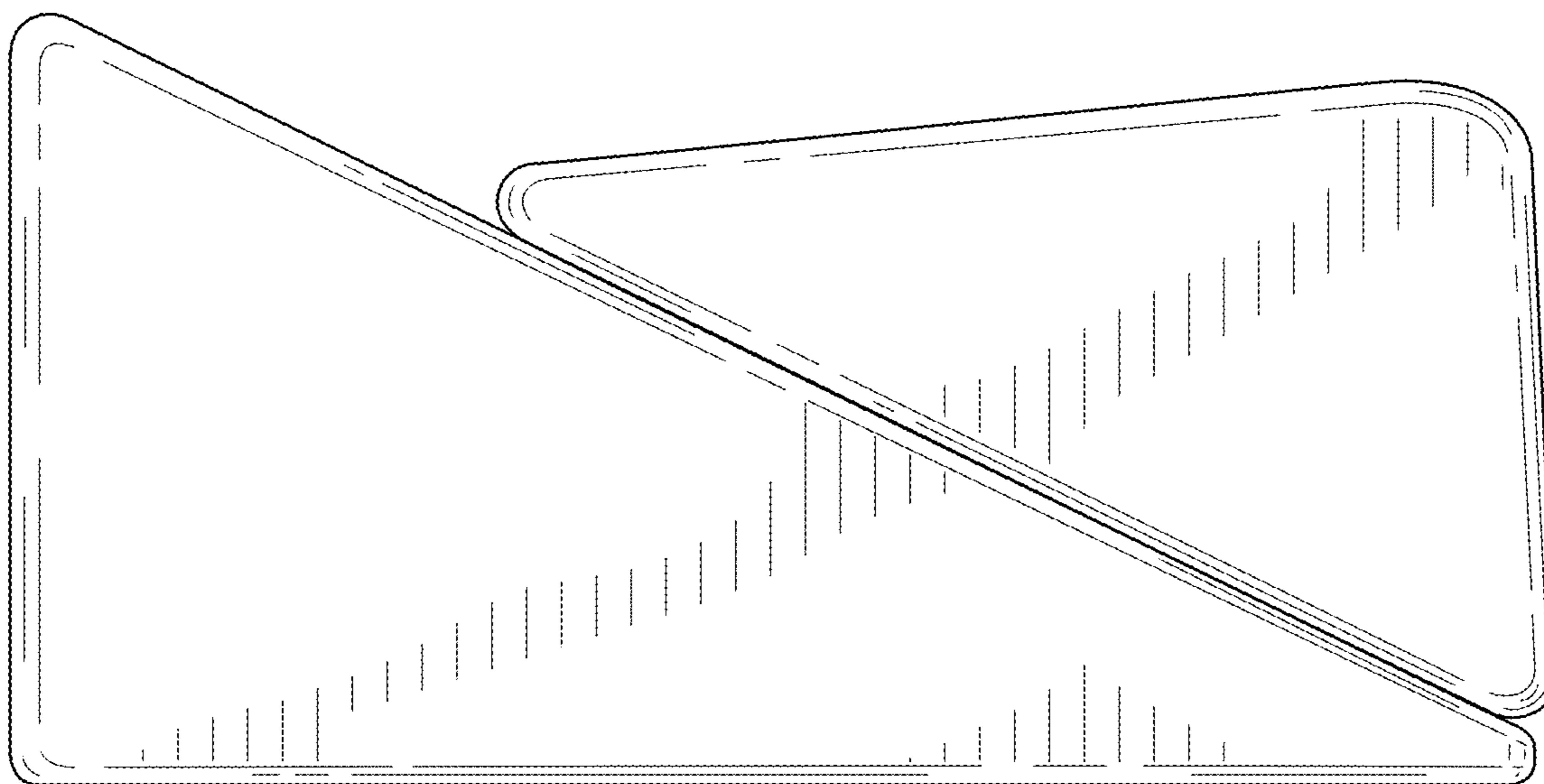


FIG. 2

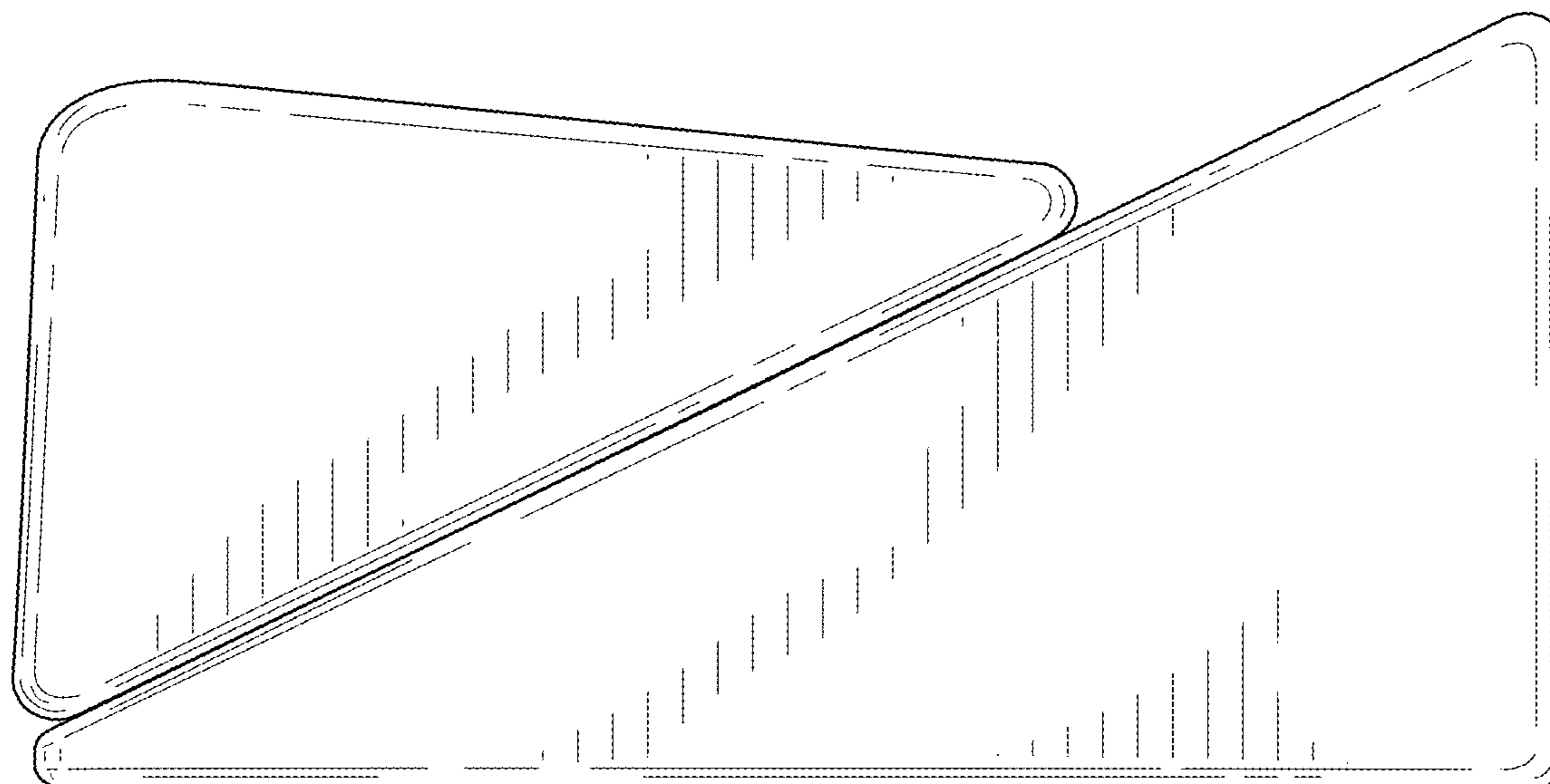


FIG. 3

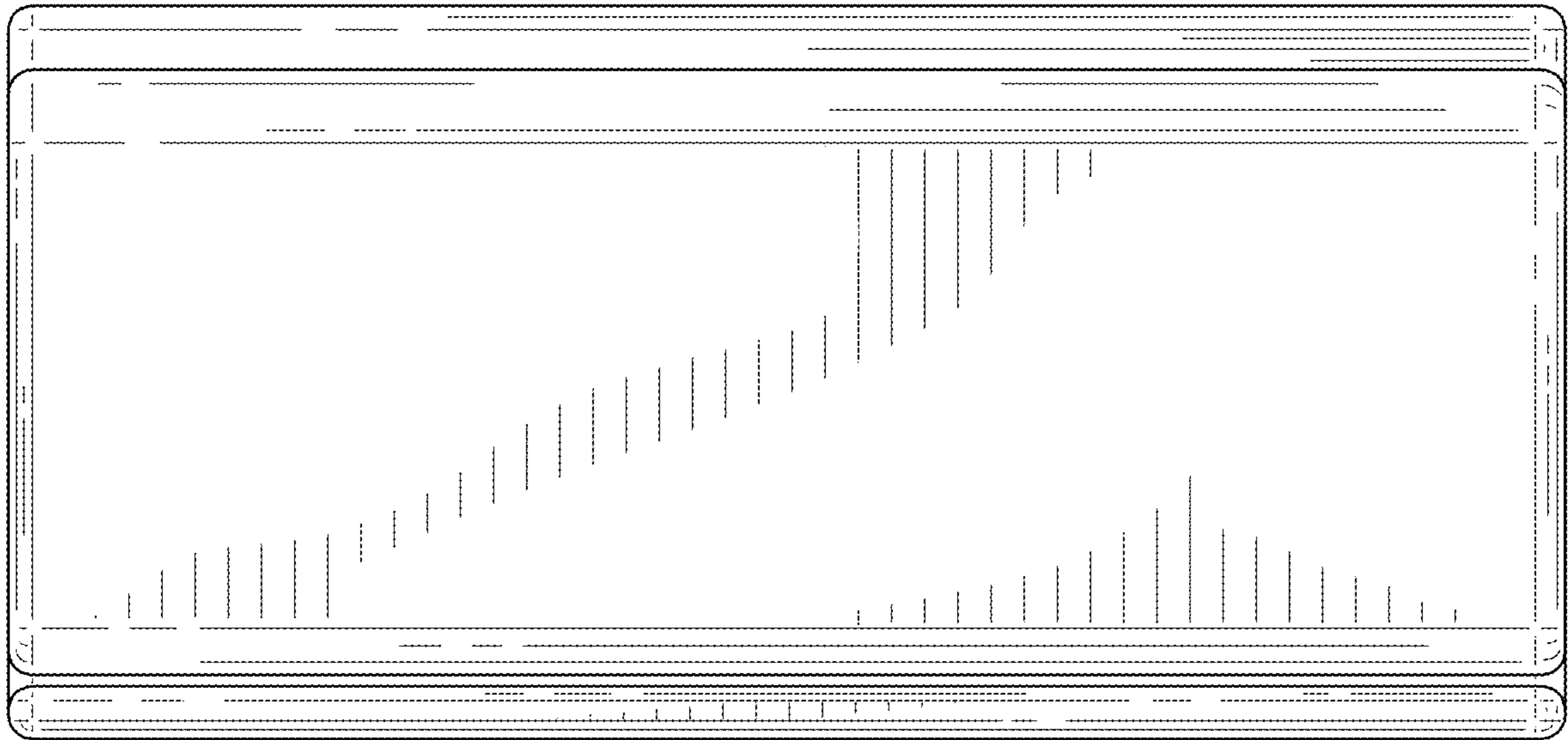


FIG. 4

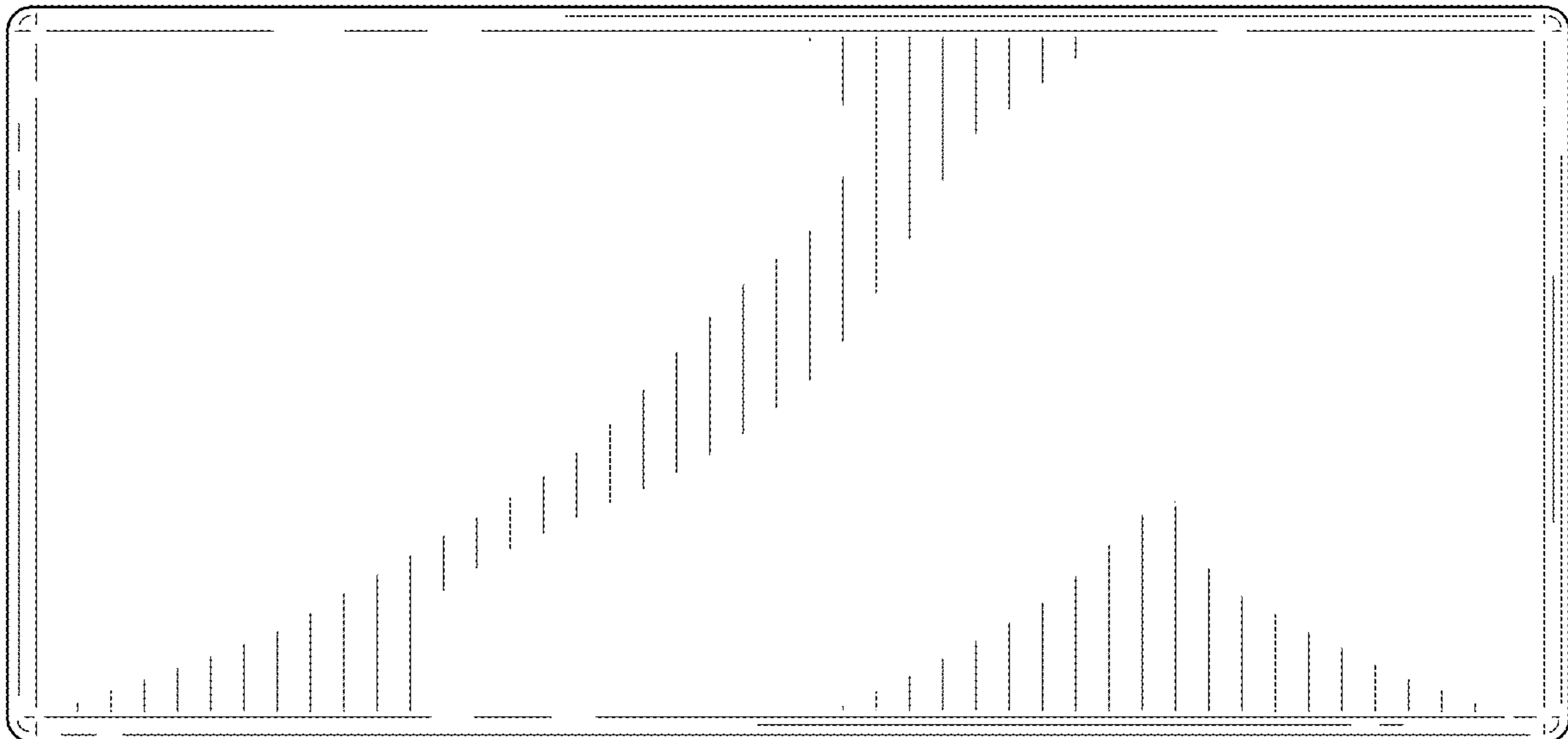


FIG. 5



FIG. 6

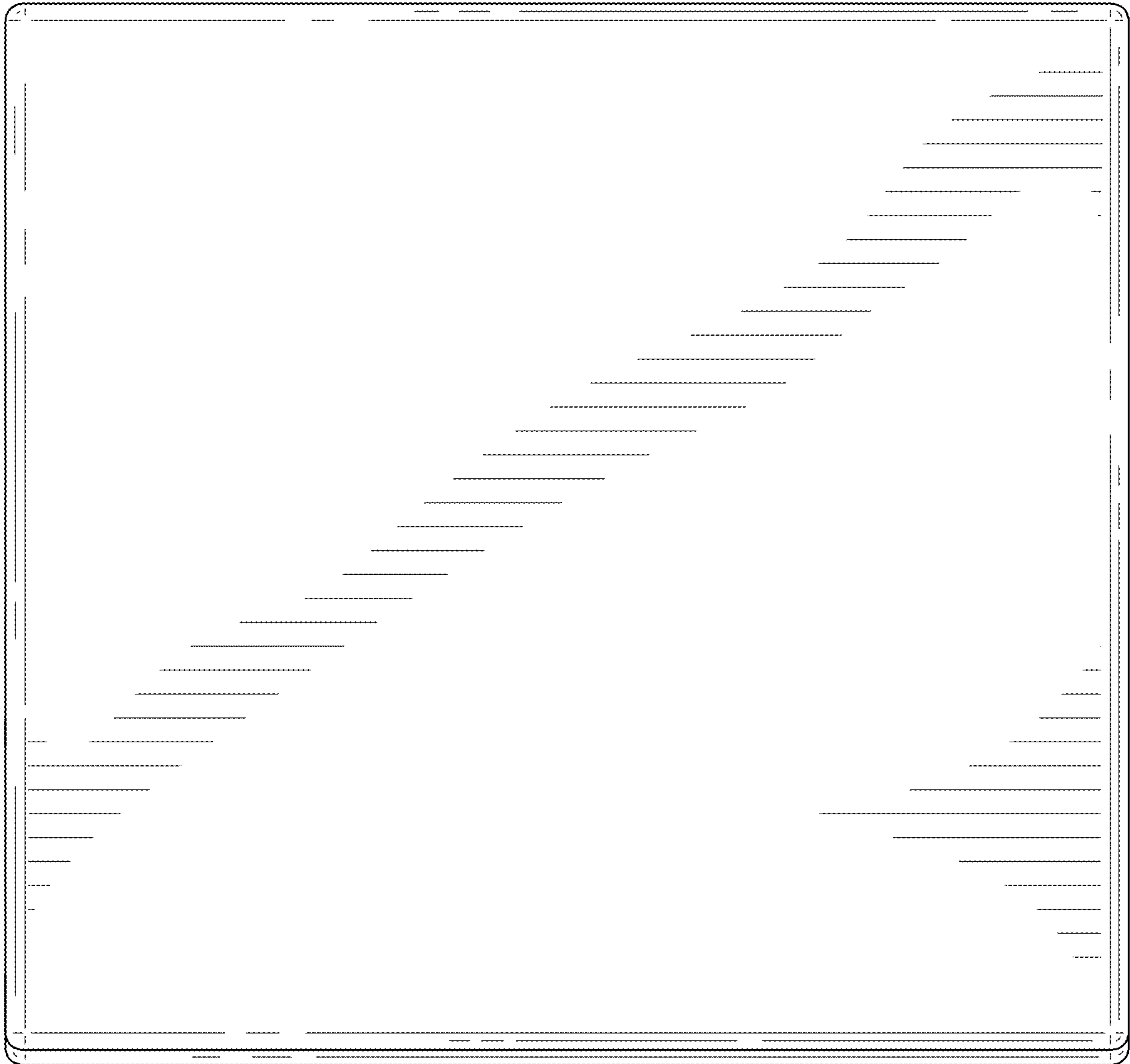


FIG. 7

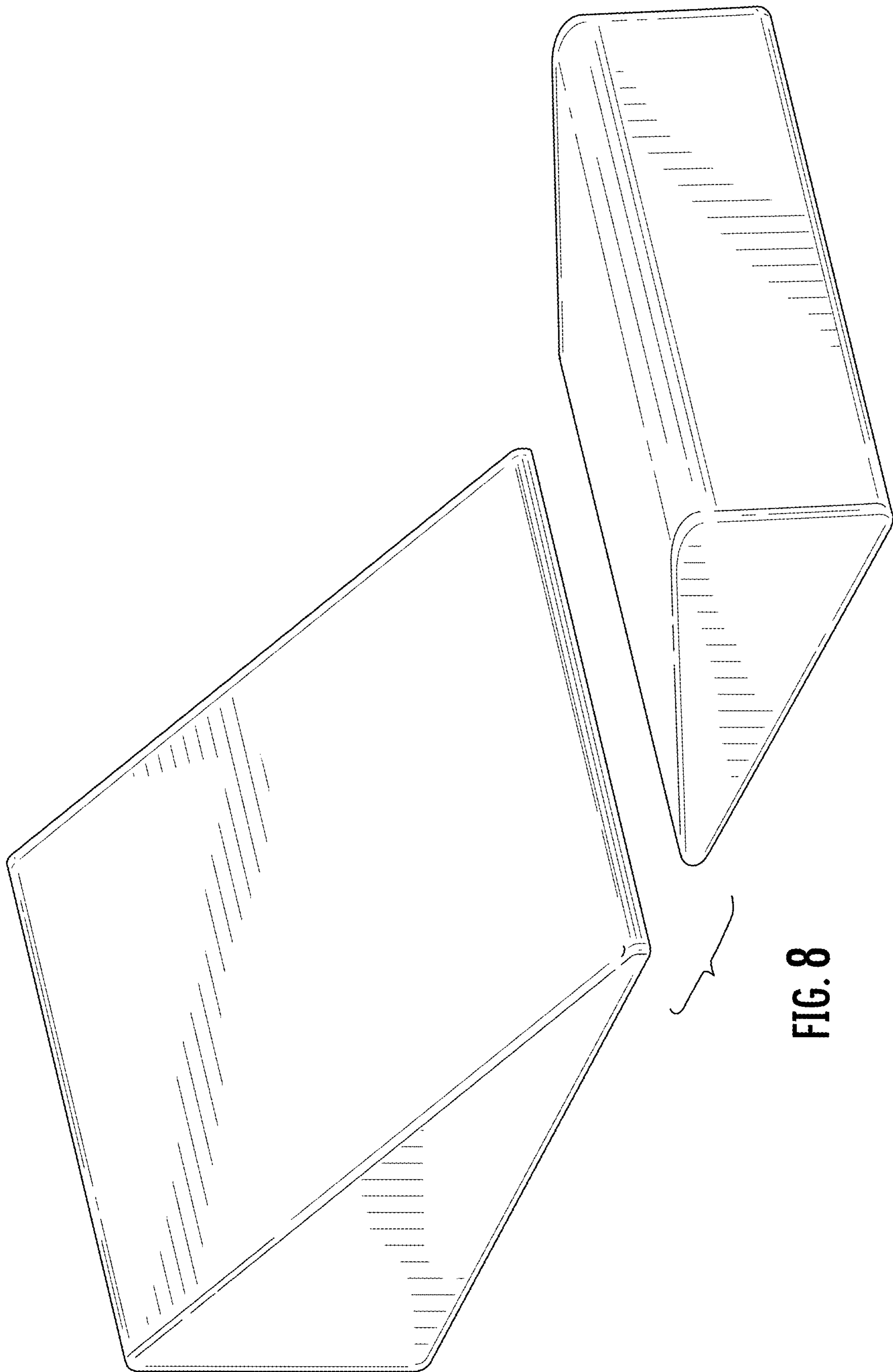


FIG. 8