



US00D953773S

(12) **United States Design Patent** (10) **Patent No.:** **US D953,773 S**  
**Ghiorghie** (45) **Date of Patent:** **\*\* Jun. 7, 2022**

(54) **DISPENSER**

(71) Applicant: **InterDesign, Inc**, Solon, OH (US)

(72) Inventor: **Radu Alexandru Ghiorghie**, Copley, OH (US)

(73) Assignee: **InterDesign, Inc.**, Solon, OH (US)

(\*\*) Term: **15 Years**

(21) Appl. No.: **29/756,594**

(22) Filed: **Oct. 29, 2020**

**Related U.S. Application Data**

(63) Continuation of application No. 29/708,862, filed on Oct. 10, 2019, now Pat. No. Des. 916,472, which is a continuation of application No. 29/624,081, filed on Oct. 30, 2017, now Pat. No. Des. 862,994, which is a continuation of application No. 29/511,184, filed on Dec. 8, 2014, now Pat. No. Des. 801,077, which is a continuation-in-part of application No. 14/513,474, filed on Oct. 14, 2014, now abandoned, and a continuation-in-part of application No. 29/456,031, filed on May 28, 2013, now Pat. No. Des. 724,900, which is a continuation-in-part of application No. 29/444,254, filed on Jan. 29, 2013, now Pat. No. Des. 698,612.

(51) **LOC (13) Cl.** ..... **23-02**

(52) **U.S. Cl.**  
USPC ..... **D6/542**

(58) **Field of Classification Search**  
USPC ..... D6/542, 543, 544, 545; D7/309, 313, D7/317, 397, 598; 206/77.1; 222/92, 222/105, 173, 180, 181.1, 181.2, 181.3, 222/282, 283; 221/96, 132  
CPC ..... B01L 3/52; B05B 11/3014; B05B 9/0403; B05B 9/0426; C11D 17/08; A45D 19/02; A47K 5/12; A47K 5/1202; A47K 5/1211; B67D 7/0255; B01F 15/0243; B01F 15/0254; B01F 5/12; B01F 5/20; B05D 5/00

See application file for complete search history.

(56) **References Cited**

U.S. PATENT DOCUMENTS

D477,778 S \* 7/2003 Dretzka ..... D6/542  
D477,990 S \* 8/2003 Dretzka ..... D6/542  
D484,401 S \* 12/2003 Dretzka ..... D6/542  
D530,954 S \* 10/2006 Snell ..... D6/542  
7,134,577 B1 \* 11/2006 Verma ..... B05B 11/0037  
222/321.9  
D537,360 S \* 2/2007 Snell ..... D6/542

(Continued)

OTHER PUBLICATIONS

Amazon.Com, iDesign Foaming Soap Dispenser, Tall, Sep. 23, 2017, <https://www.amazon.com/InterDesign-Hamilton-Dispenser-Bathroom-Countertop/dp/B00UX77SV4/> (Year: 2017).\*

*Primary Examiner* — Nathan M Johnston

(74) *Attorney, Agent, or Firm* — Calfee, Halter & Griswold LLP

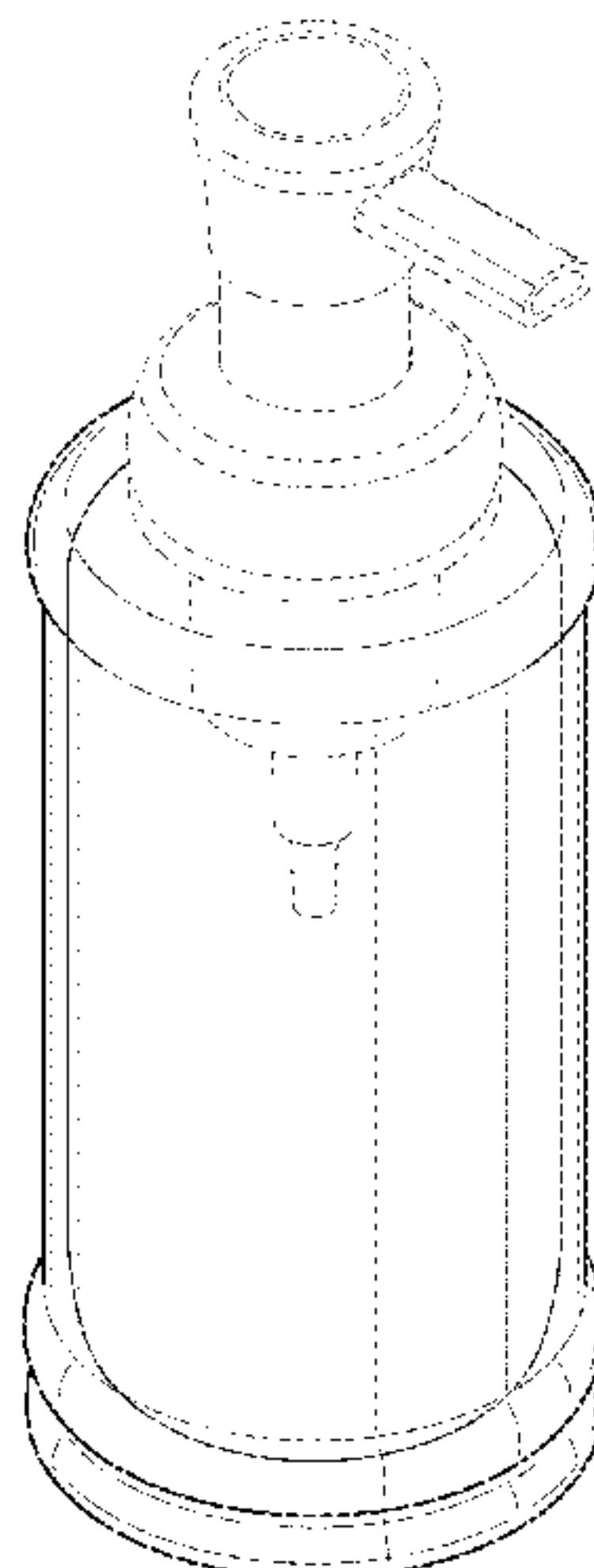
(57) **CLAIM**

I claim the ornamental design for a dispenser, as shown and described.

**DESCRIPTION**

FIG. 1 is a front/left/top perspective view of a dispenser (a front/right/top perspective view would be a mirror image thereof);  
FIG. 2 is a front/right/bottom perspective view thereof (a front/left/bottom perspective view would be a mirror image thereof);  
FIG. 3 is a front elevational view thereof;  
FIG. 4 is a left side elevational view thereof; and,  
FIG. 5 is a top plan view thereof.  
The broken lines depict portions of the dispenser that form no part of the claimed design.

**1 Claim, 5 Drawing Sheets**



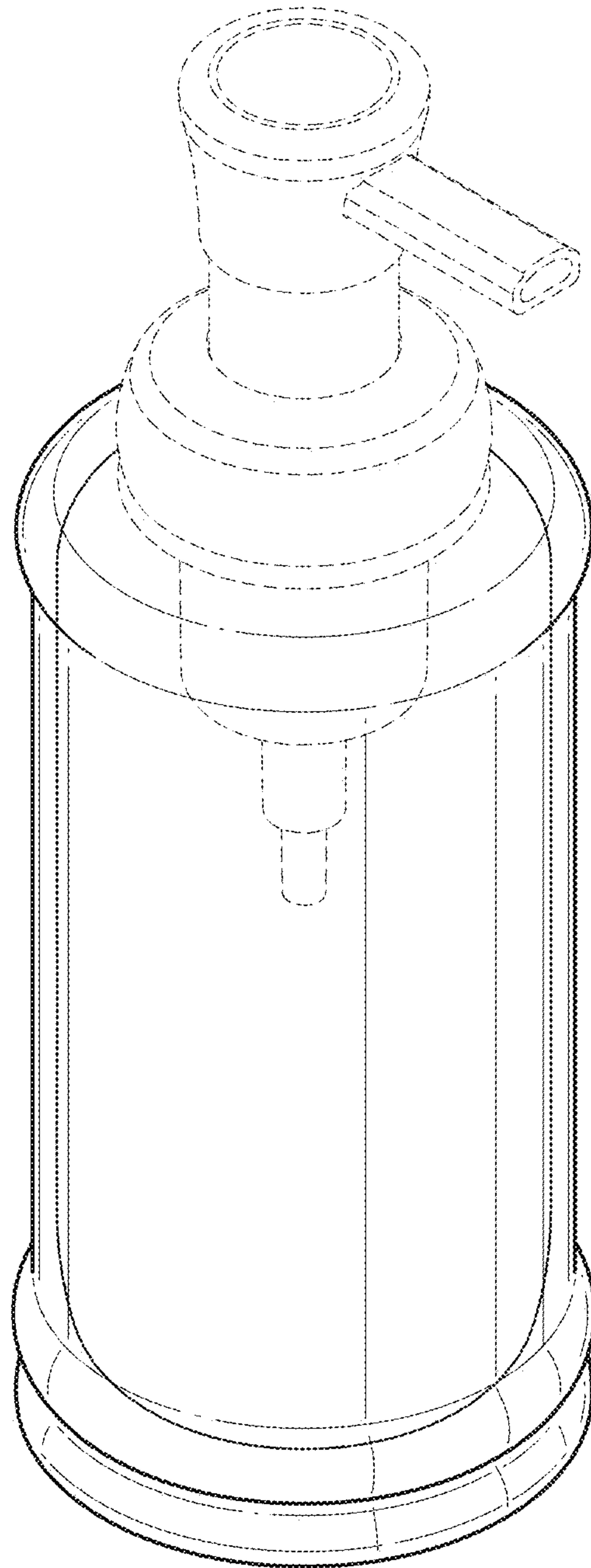
(56)

**References Cited**

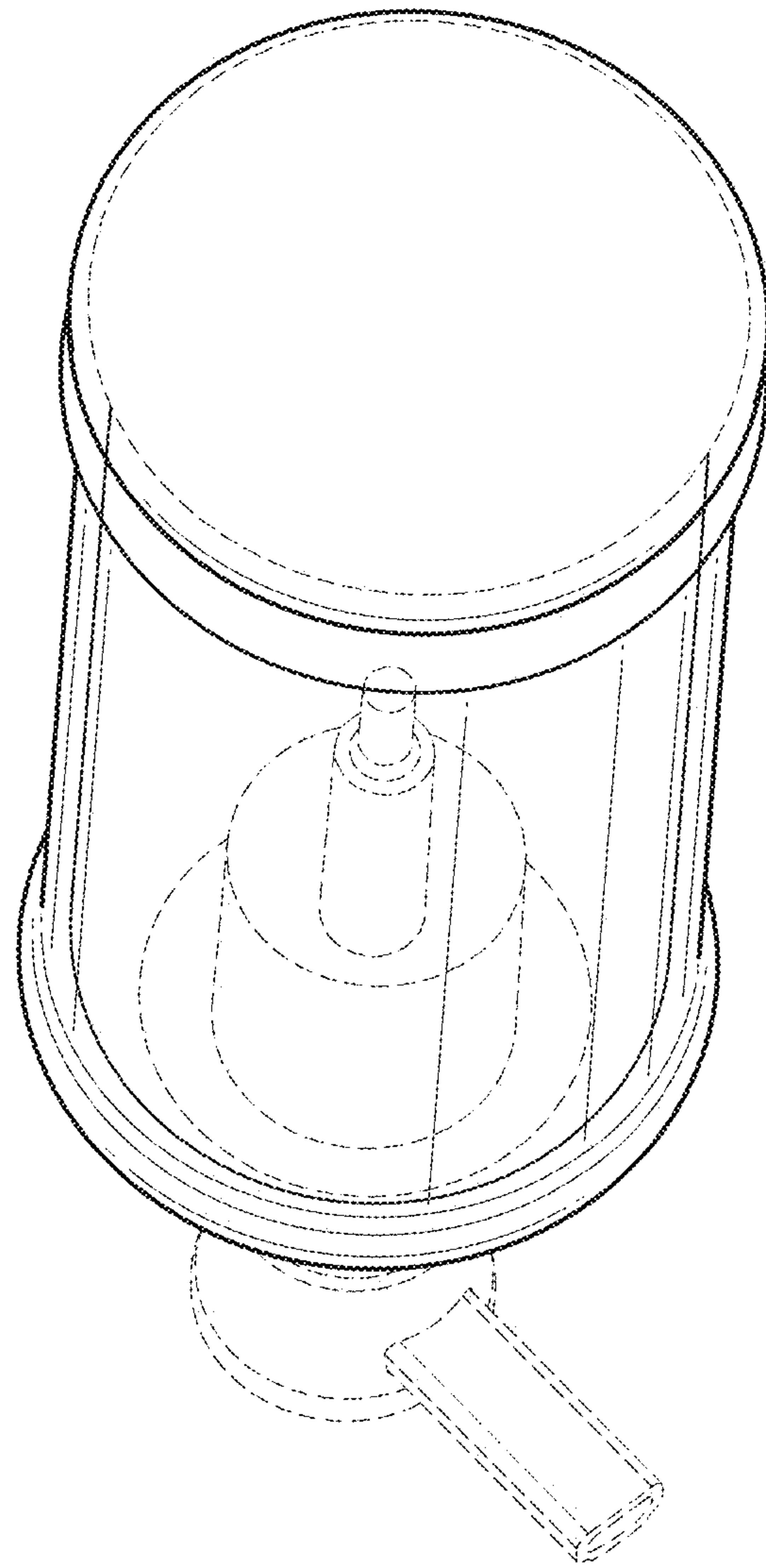
U.S. PATENT DOCUMENTS

D537,361	S	*	2/2007	Dretzka	.....	D6/542
D551,087	S	*	9/2007	Snell	.....	D6/542
D565,336	S	*	4/2008	Bickler	.....	D6/545
D578,814	S	*	10/2008	Dretzka	.....	D6/542
D581,193	S	*	11/2008	Ghiorghie	.....	D6/542
D595,522	S	*	7/2009	Snell	.....	D6/542
D599,597	S	*	9/2009	Dretzka	.....	D6/542
D599,598	S	*	9/2009	Ghiorghie	.....	D6/542
D619,397	S	*	7/2010	Snell	.....	D6/542
D637,847	S	*	5/2011	Kraemer	.....	D6/542
D644,051	S	*	8/2011	Kraemer	.....	D6/542
D644,052	S	*	8/2011	Kraemer	.....	D6/542
D644,469	S	*	9/2011	Kraemer	.....	D6/542
D661,148	S	*	6/2012	Yang	.....	D6/542
D817,659	S	*	5/2018	Stelmarski	.....	D6/542
D850,812	S	*	6/2019	Ghiorghie	.....	D6/542
D863,966	S	*	10/2019	Kauffman	.....	D9/504
D864,722	S	*	10/2019	Kauffman	.....	D9/504
D934,686	S	*	11/2021	Paiji	.....	D9/500
2008/0223413	A1	*	9/2008	Radford	.....	C11D 17/08 134/34

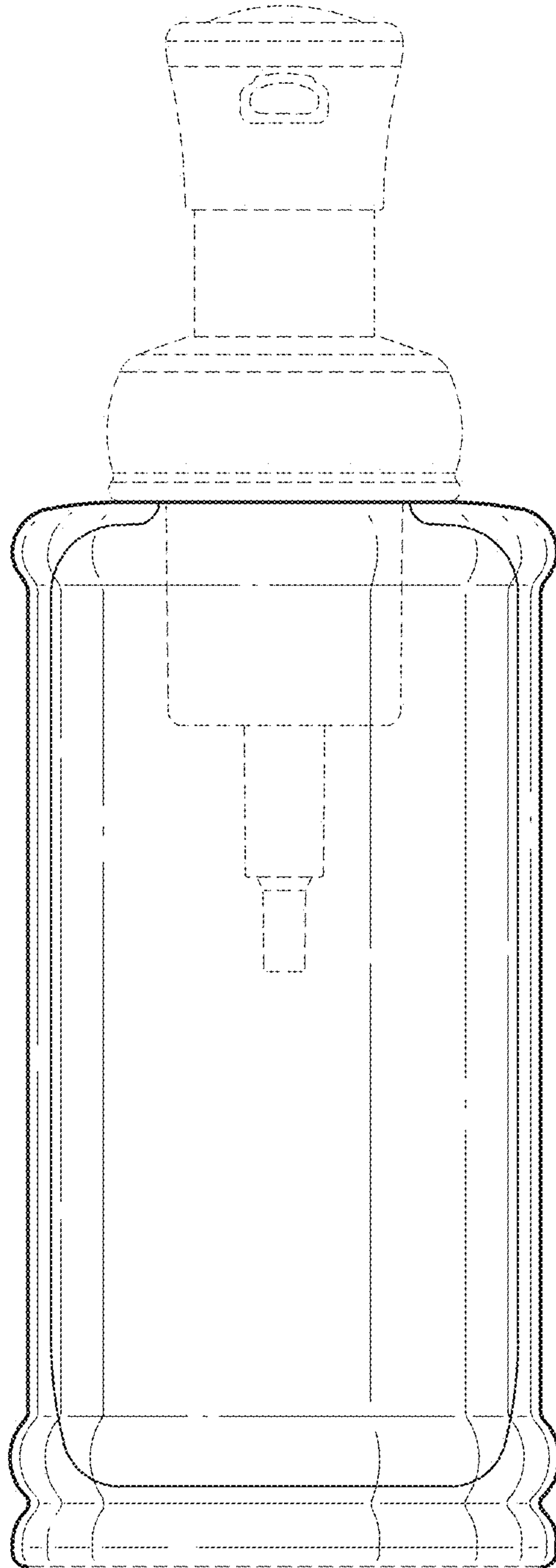
\* cited by examiner



**FIG. 1**

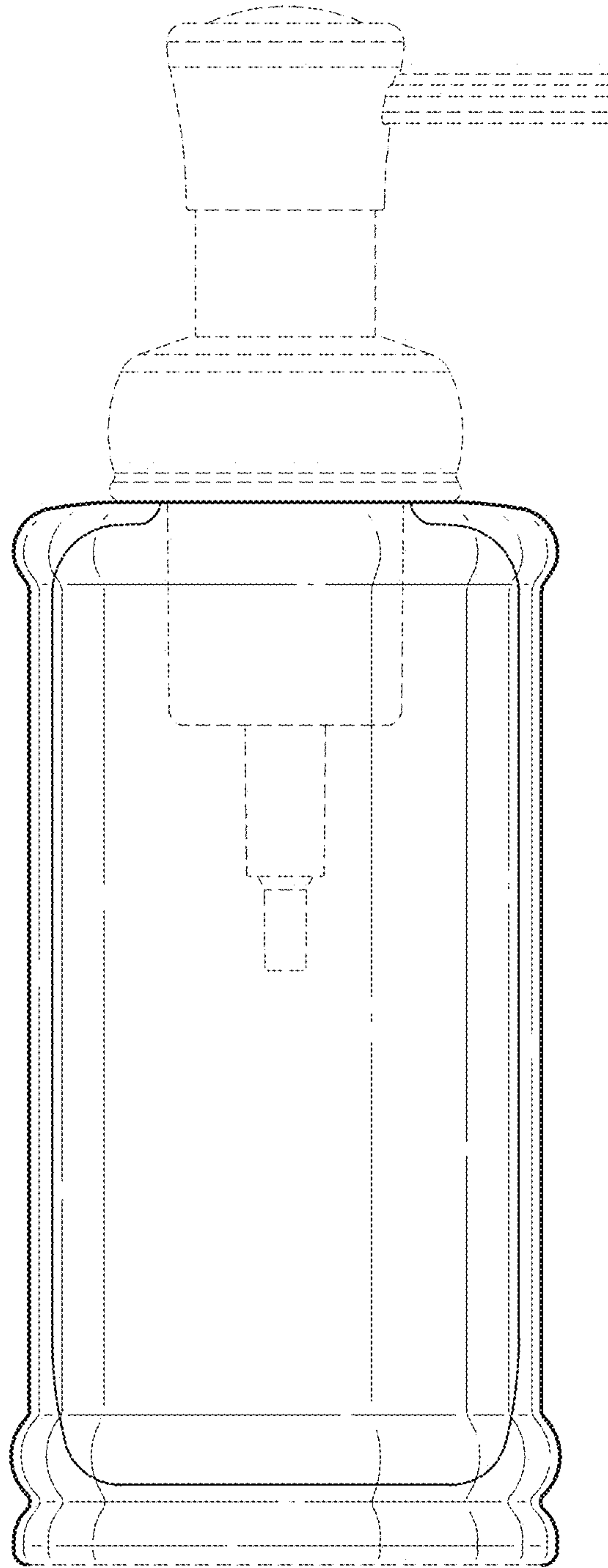


**FIG. 2**

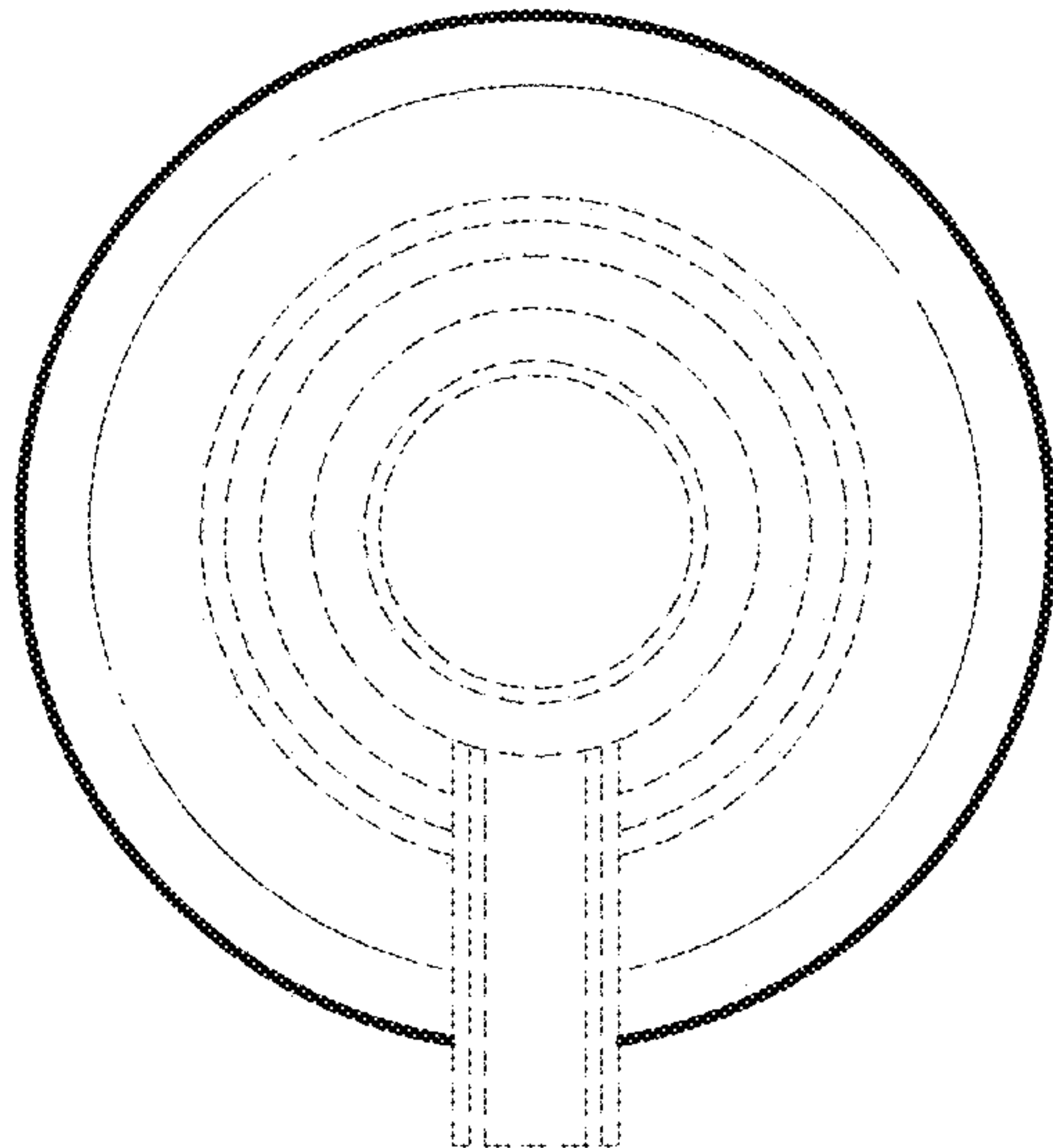


**FIG. 3**





**FIG. 4**



***FIG. 5***