



US00D953770S

(12) **United States Design Patent**
Parcon et al.

(10) **Patent No.:** **US D953,770 S**
(45) **Date of Patent:** **** Jun. 7, 2022**

(54) **ADJUSTABLE BED**

(71) Applicant: **ImportLA, LLC**, Baldwin Park, CA (US)

(72) Inventors: **Jadeanne Parcon**, Eastvale, CA (US);
Billy Chen, Baldwin Park, CA (US)

(73) Assignee: **ImportLA, LLC**, Baldwin Park, CA (US)

(**) Term: **15 Years**

(21) Appl. No.: **29/739,196**

(22) Filed: **Jun. 23, 2020**

(51) **LOC (13) Cl.** **06-01**

(52) **U.S. Cl.**
USPC **D6/392; D24/183**

(58) **Field of Classification Search**
USPC D6/392, 367, 382, 393, 394, 395, 718,
D6/718.2, 718.23, 718.29; D24/183-184
CPC A61G 5/00; A61G 5/02; A47C 1/00; A47C
19/00; A47C 19/022; A47C 3/006
See application file for complete search history.

(56) **References Cited**

U.S. PATENT DOCUMENTS

- 1,747,644 A * 2/1930 Xorol A61G 15/02
297/339
 - 2,869,614 A * 1/1959 Wamsley A61G 5/006
280/230
 - 3,281,141 A * 10/1966 Smiley A61G 13/02
5/614
 - D255,402 S * 6/1980 Lundgren D6/361
- (Continued)

FOREIGN PATENT DOCUMENTS

CN 306165813 * 11/2020

OTHER PUBLICATIONS

The Harmon, available in buyritebeauty.com, earliest available date Sep. 5, 2013 Year 2013 [online], Retrieved on Jan. 6, 2022 from

URL: <https://www.buyritebeauty.com/2241c-harmon-electric-facial-massage-bed/> (Year: 2013).*

(Continued)

Primary Examiner — Vy N Koenig
Assistant Examiner — Michelle M Reeves

(74) *Attorney, Agent, or Firm* — Kevin Schraven; Anooj Patel; Hankin Patent Law, APC

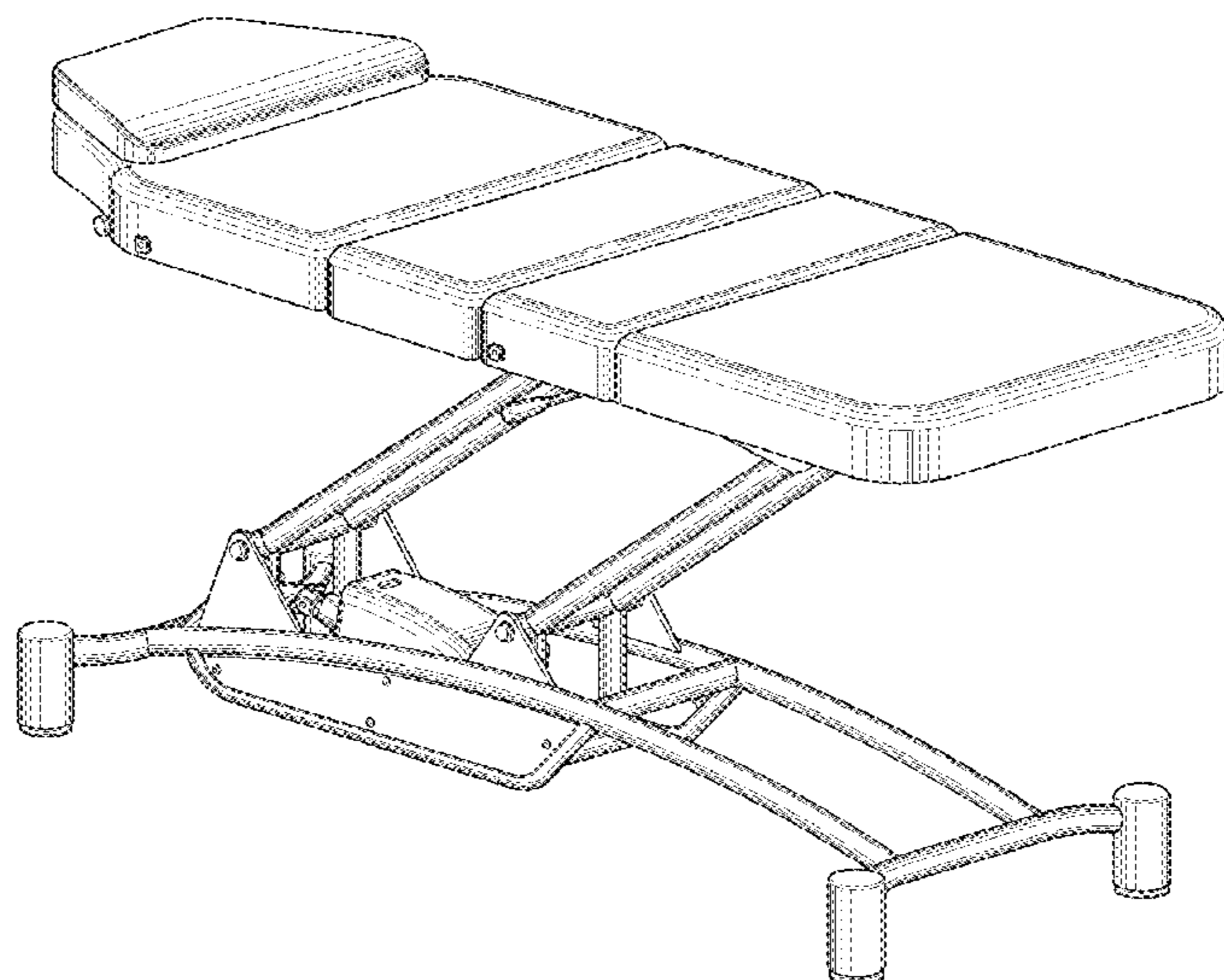
(57) **CLAIM**

The ornamental design for an adjustable bed, as shown and described.

DESCRIPTION

FIG. 1 is a top perspective view of an adjustable bed.
 FIG. 2 is a bottom perspective view of thereof
 FIG. 3 is a rear elevational view thereof.
 FIG. 4 is a front elevational view thereof.
 FIG. 5 is a right-side elevational view thereof.
 FIG. 6 is a left-side elevational view thereof.
 FIG. 7 is a top plan view thereof.
 FIG. 8 is a bottom plan view thereof.
 FIG. 9 is a front perspective view of the adjustable bed showing a separated head rest.
 FIG. 10 is a right-side elevational view of the adjustable bed when fully elevated.
 FIG. 11 is a right-side elevational view of the adjustable bed when lowered.
 FIG. 12 is a right-side elevational view of the adjustable bed when fully lowered.
 FIG. 13 is a right-side elevational view showing the backrest in a raised configuration.
 FIG. 14 is a right-side elevational view showing the knee rest in a raised configuration; and,
 FIG. 15 is a right-side elevational view showing the adjustable bed with the back rest and the knee rest both in a raised configuration.

1 Claim, 15 Drawing Sheets



(56)

References Cited

U.S. PATENT DOCUMENTS

D271,729 S * 12/1983 Dodrill D6/392
 D386,584 S * 11/1997 Frei D24/183
 D392,741 S * 3/1998 Blanchard D24/183
 D405,284 S * 2/1999 van den Heuvel D6/367
 D434,151 S * 11/2000 Fanuzzi D24/183
 D436,176 S * 1/2001 Fanuzzi D24/183
 6,202,230 B1 * 3/2001 Borders A61G 13/0009
 5/613
 D553,379 S * 10/2007 Genelli D6/367
 D604,421 S * 11/2009 Albrecht D24/183
 D609,483 S * 2/2010 Chen D6/367
 D627,891 S * 11/2010 Lu D24/183
 D636,493 S * 4/2011 Teufel D24/183
 D677,919 S * 3/2013 Voyce, IV D6/367
 D804,038 S * 11/2017 Christensen D24/183
 10,292,501 B1 * 5/2019 Brown A47C 7/506
 D873,577 S * 1/2020 Chen D6/367

10,667,976 B2 * 6/2020 Scott A61G 15/02
 D897,711 S * 10/2020 Parcon D6/367
 D907,395 S * 1/2021 Li D6/392
 2006/0277849 A1 * 12/2006 Mizuno A61G 7/012
 52/182
 2011/0272976 A1 * 11/2011 Wei A47C 7/5066
 297/195.11
 2017/0065083 A1 * 3/2017 Baker A61G 15/12
 2017/0119610 A1 * 5/2017 Christensen A61G 1/017

OTHER PUBLICATIONS

Signature Spa, available in pivotalhealthsolutions.com, earliest available date Dec. 10, 2017 Year 2017 [online], Retrieved on Jan. 6, 2022 from URL: www.pivotalhealthsolutions.com/store/Electric-Massage-Tables/Signature-Spa-Series-Hands-Free-Deluxe-Electric-Table-P1388C327.aspx (Year: 2017).*

* cited by examiner

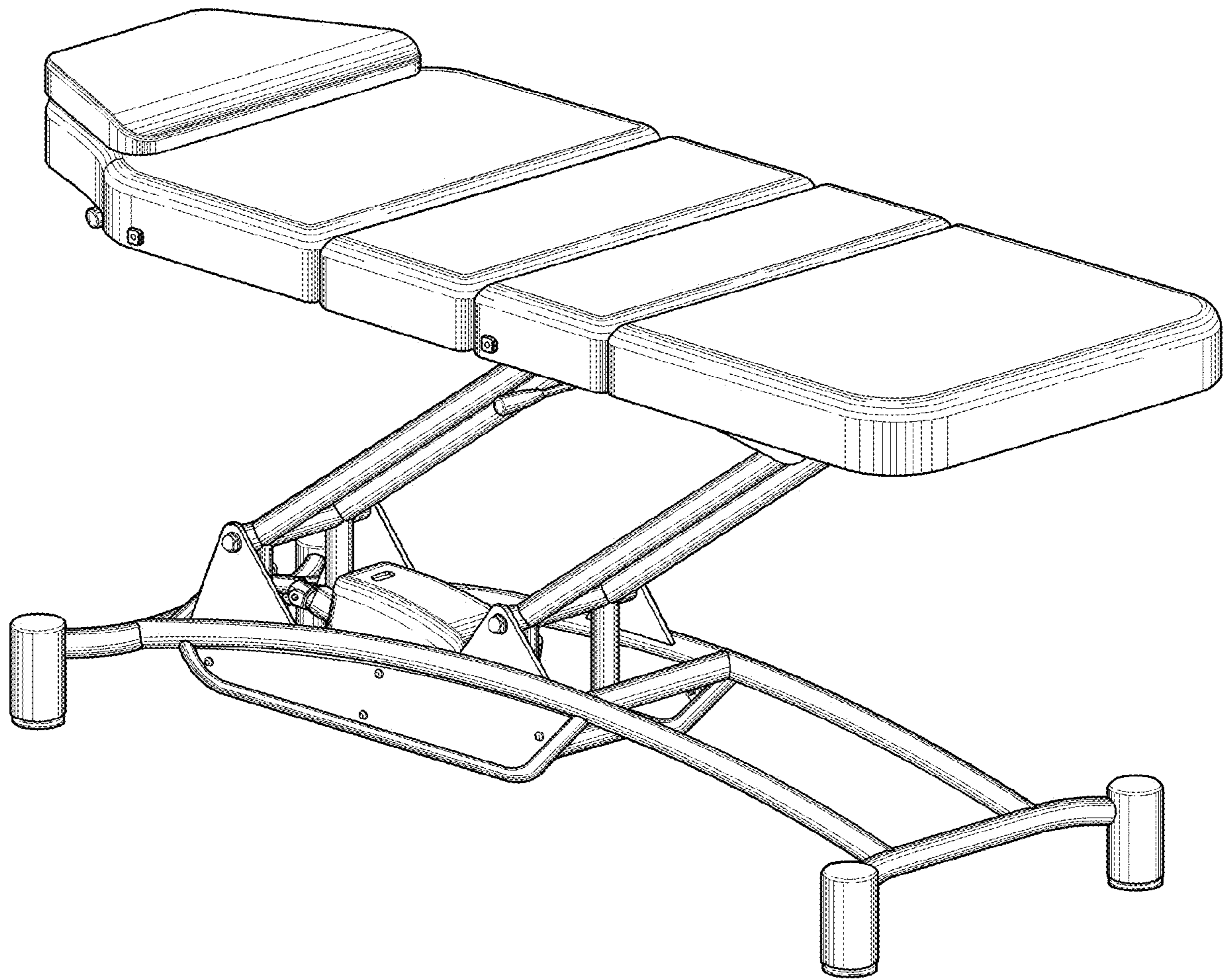


Fig. 1

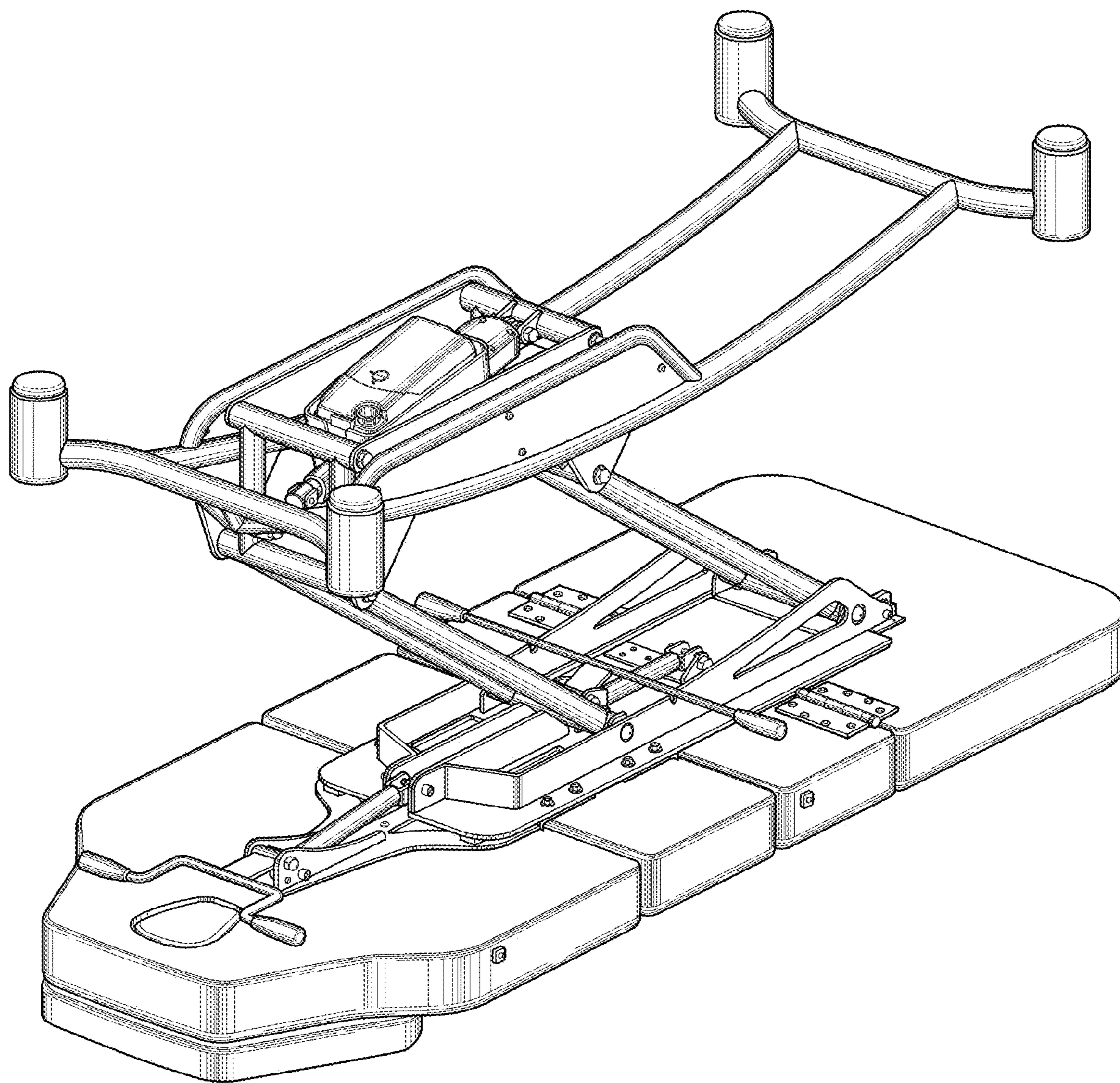


Fig. 2

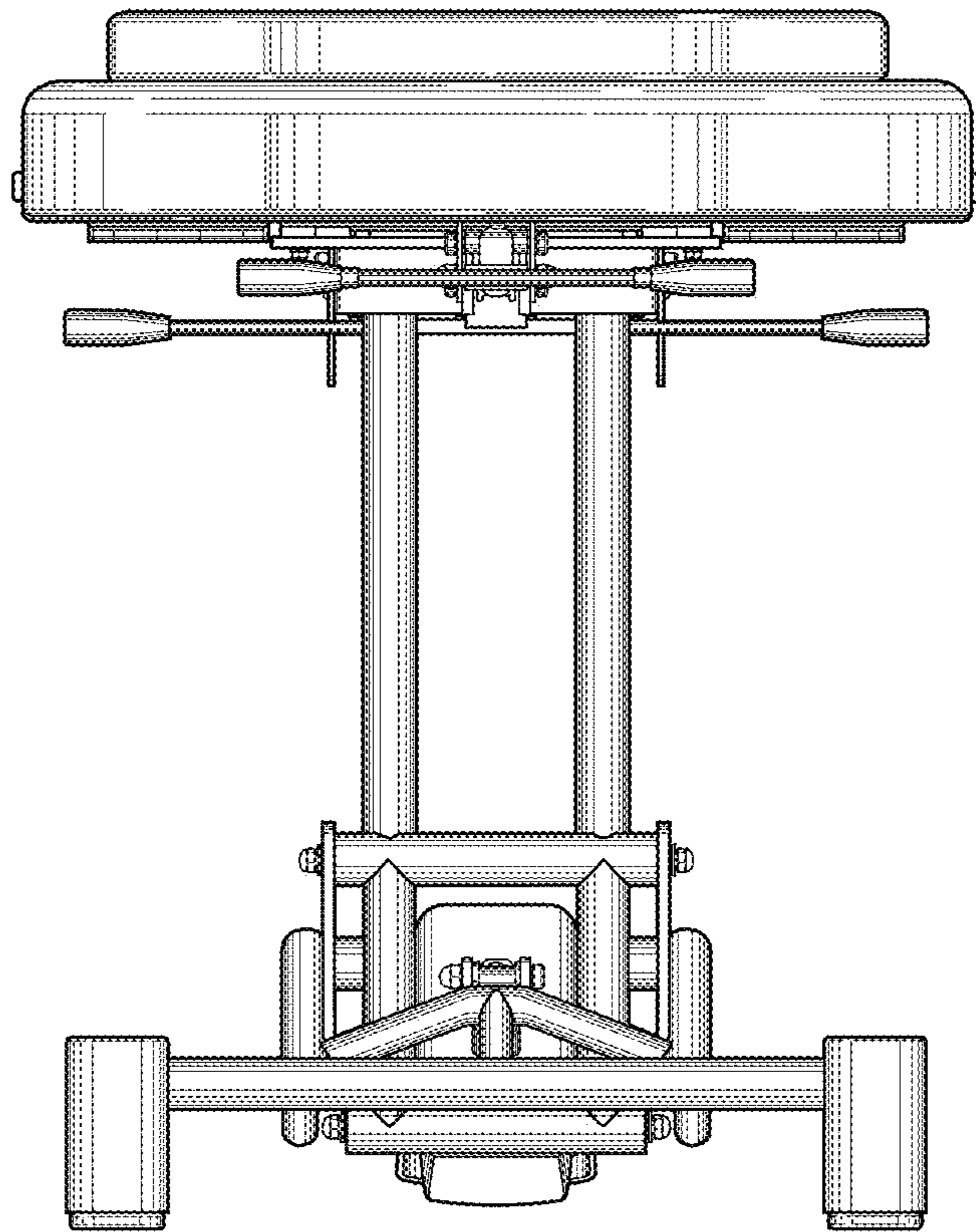


Fig. 3

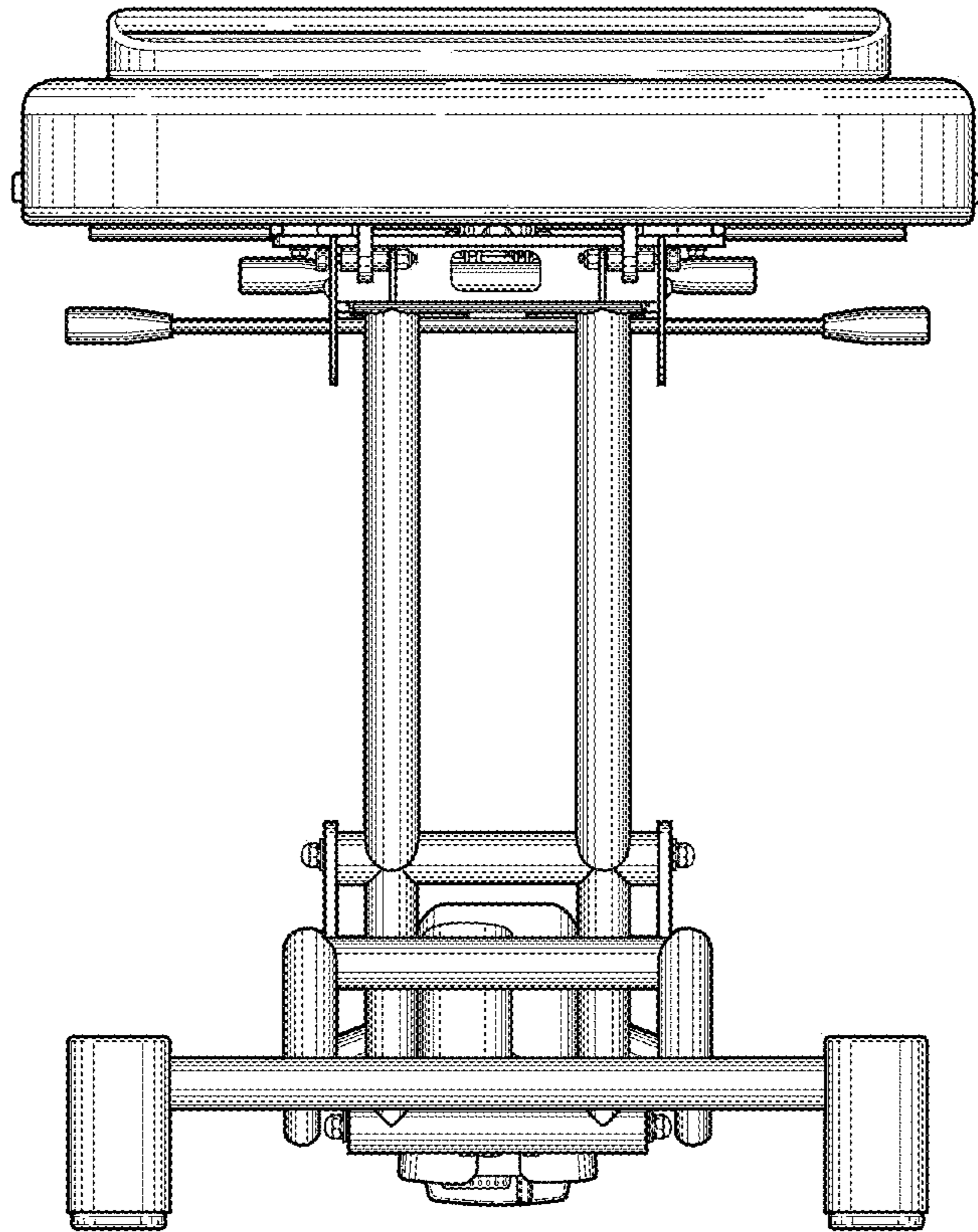


Fig. 4

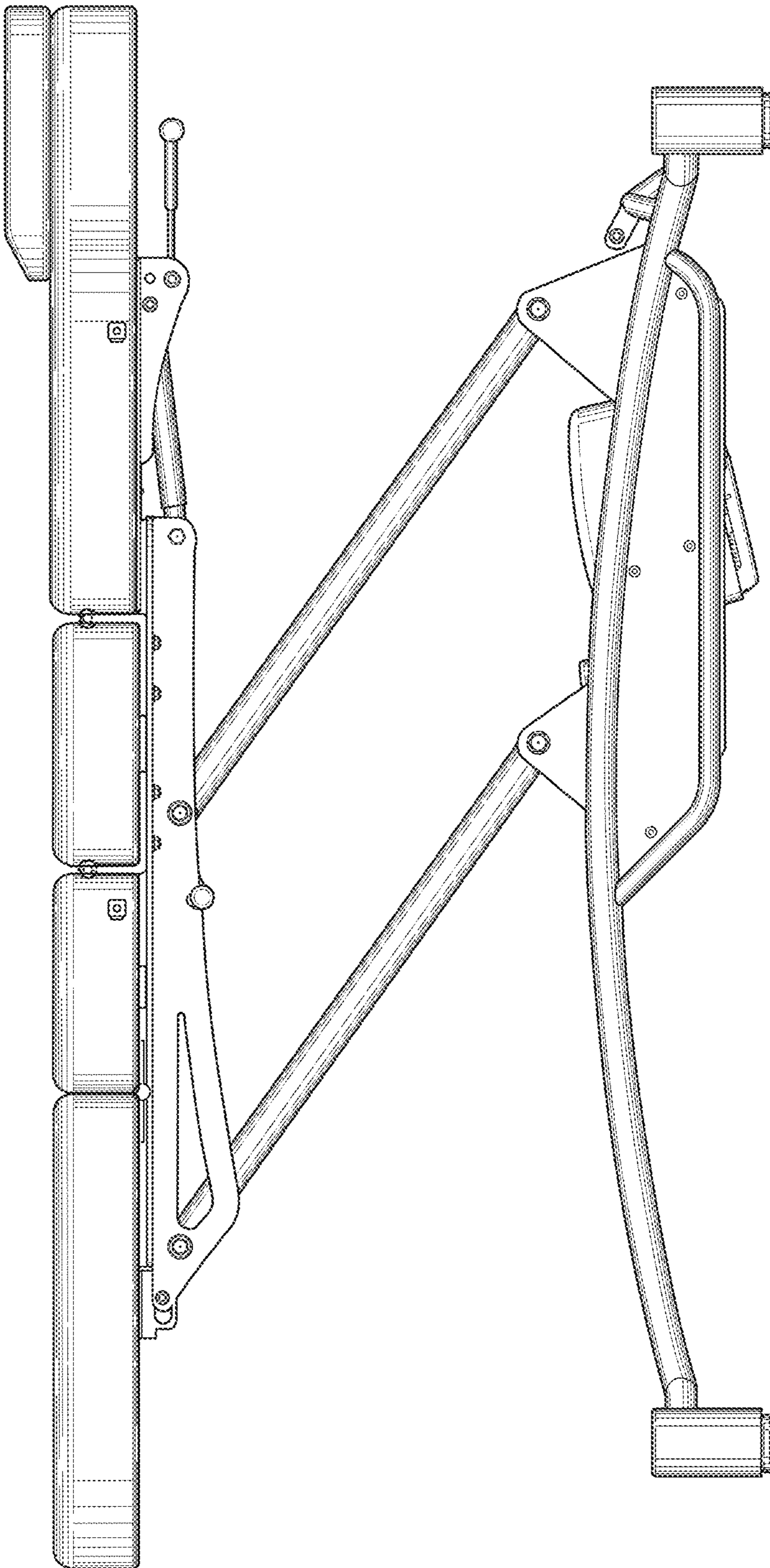


Fig. 5

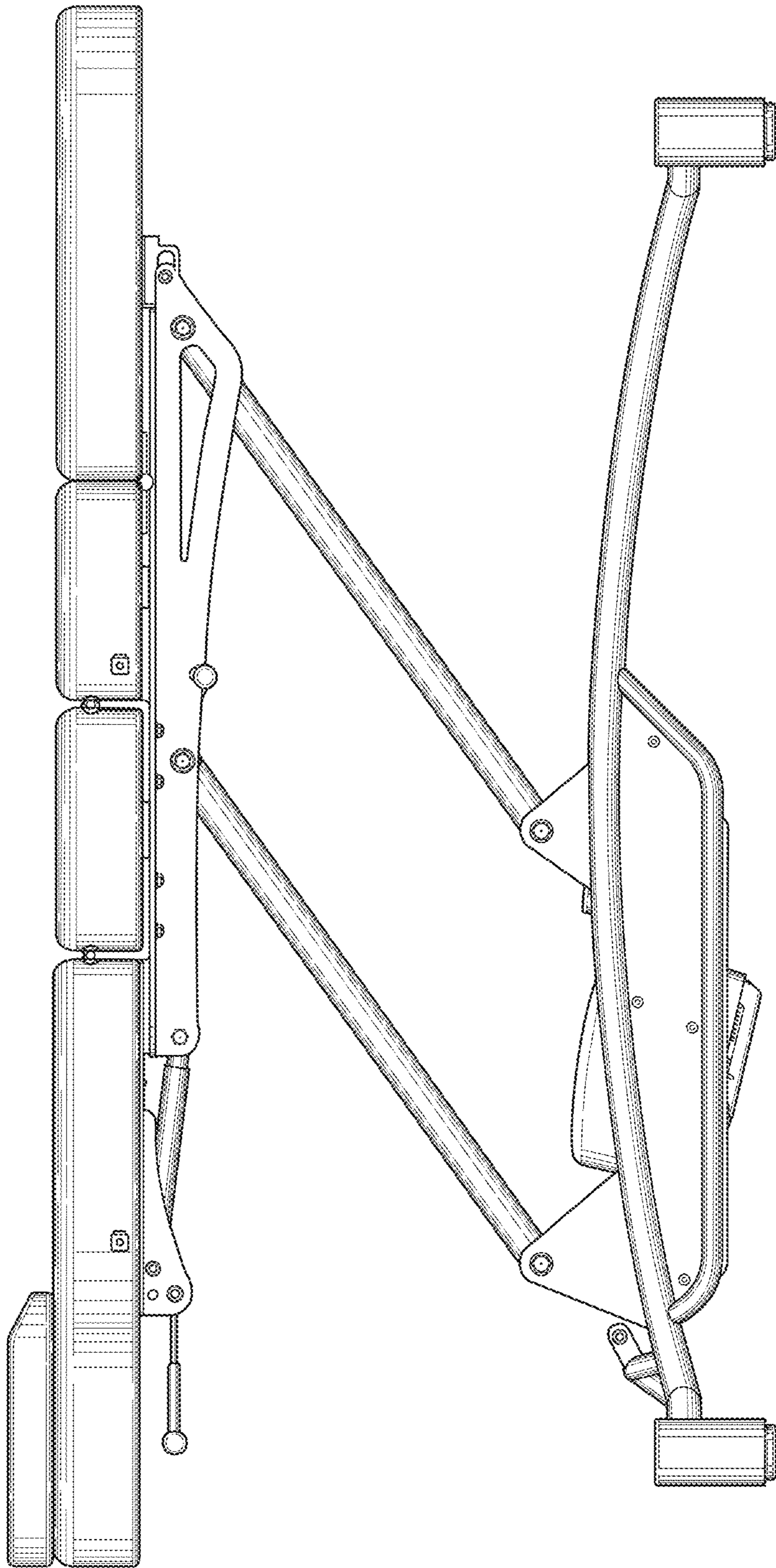


Fig. 6

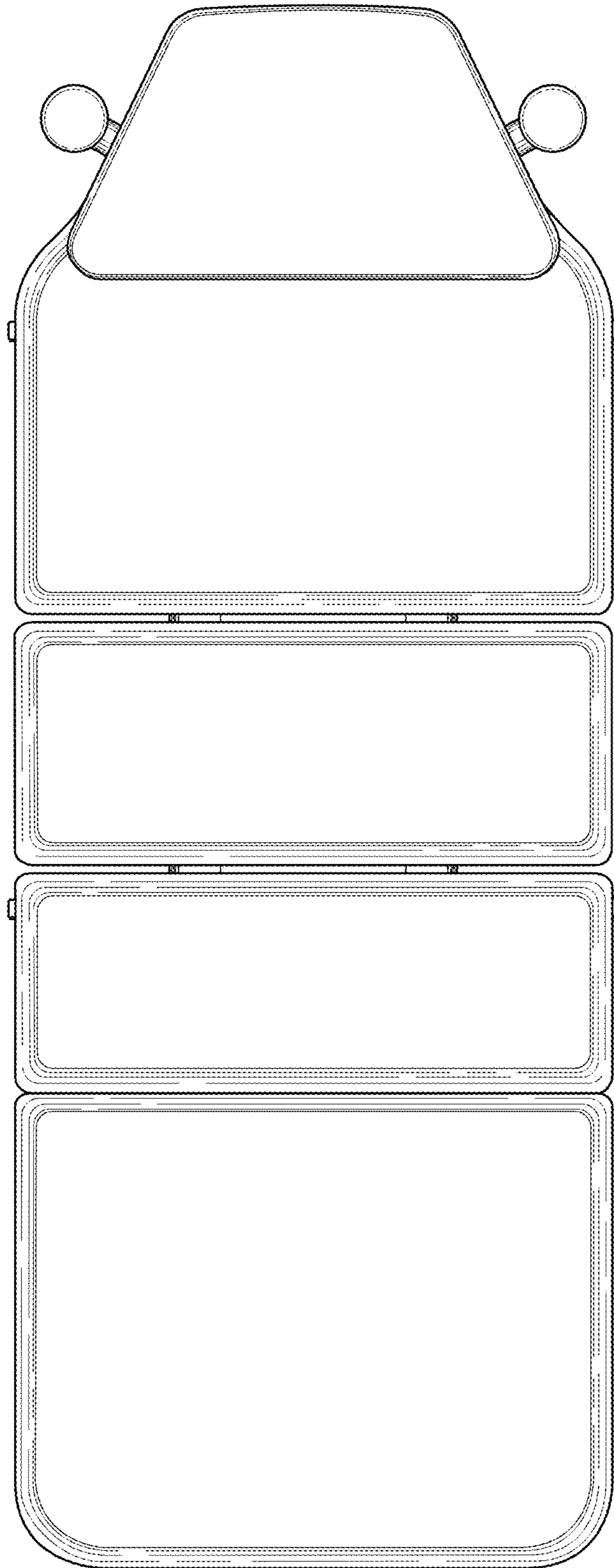


Fig. 7

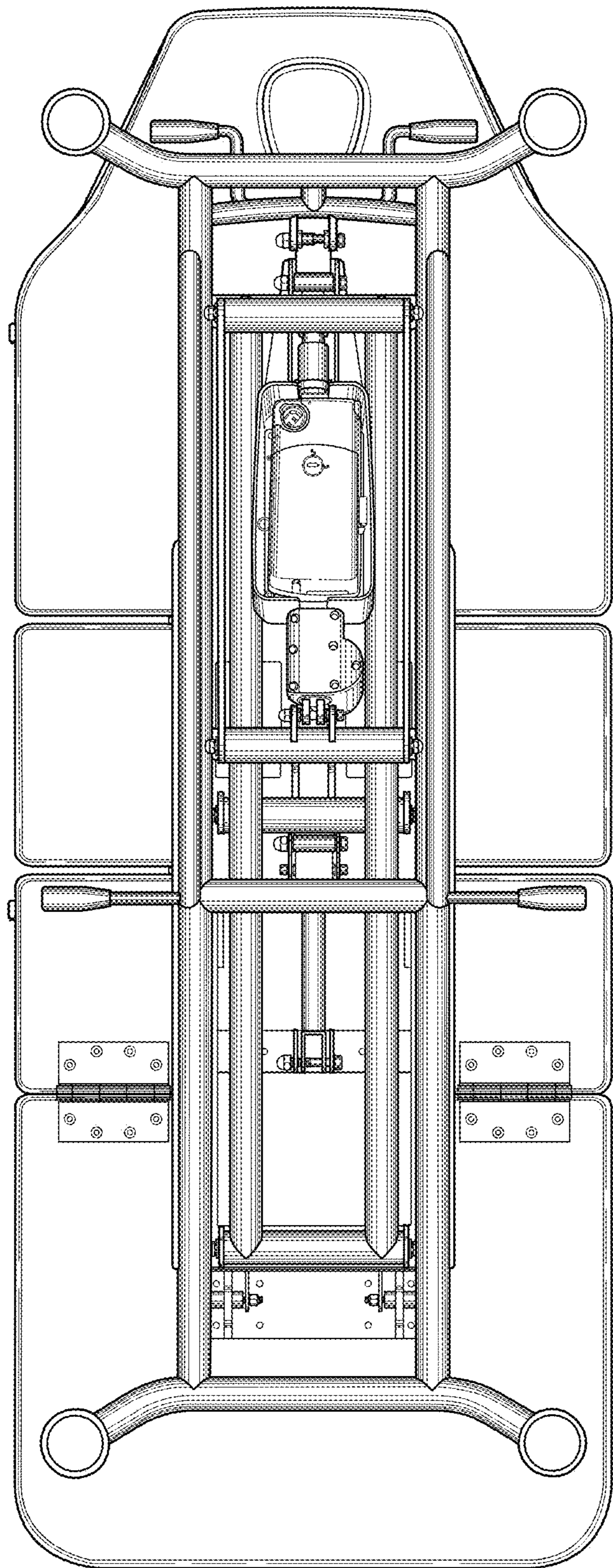


Fig. 8

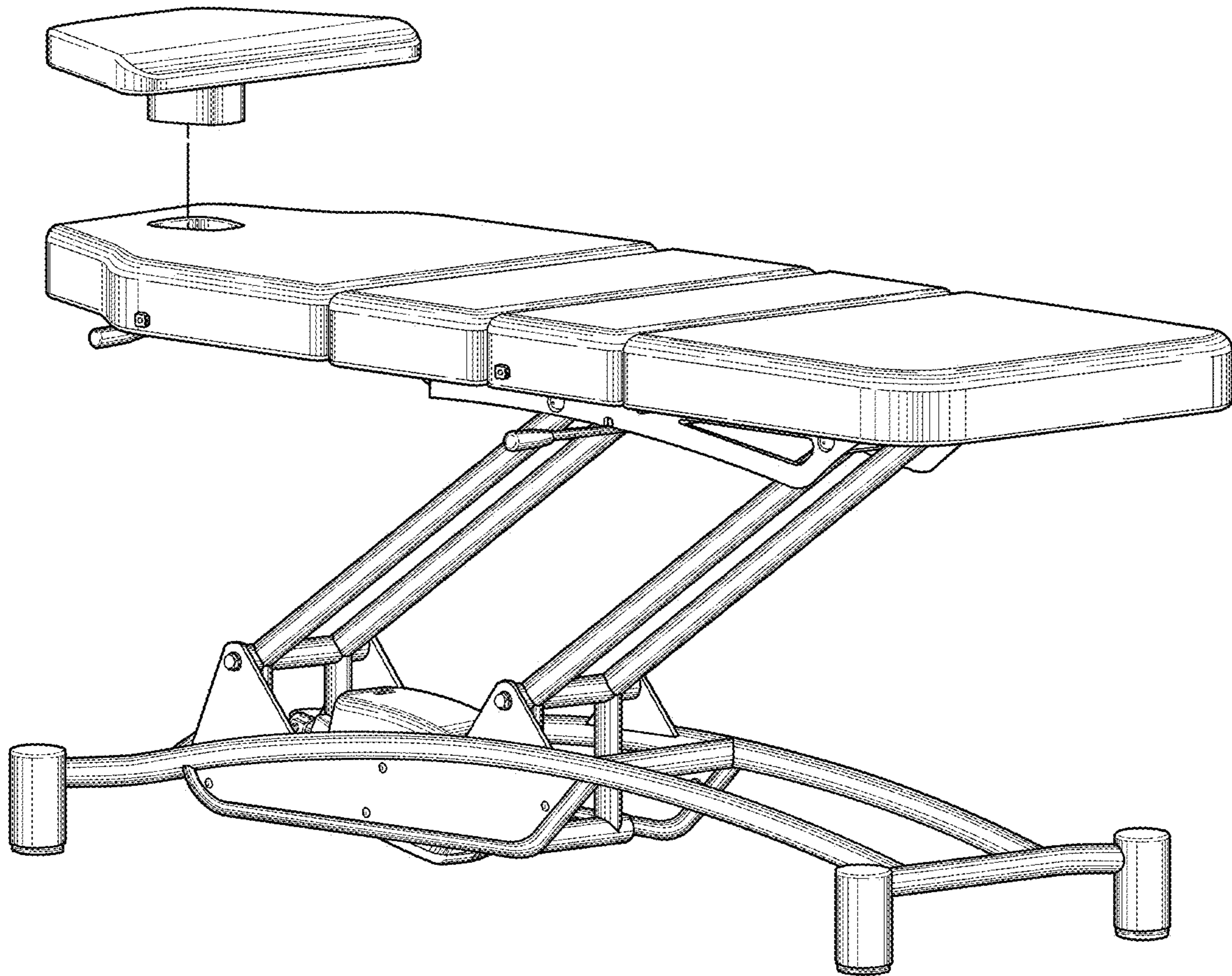


Fig. 9

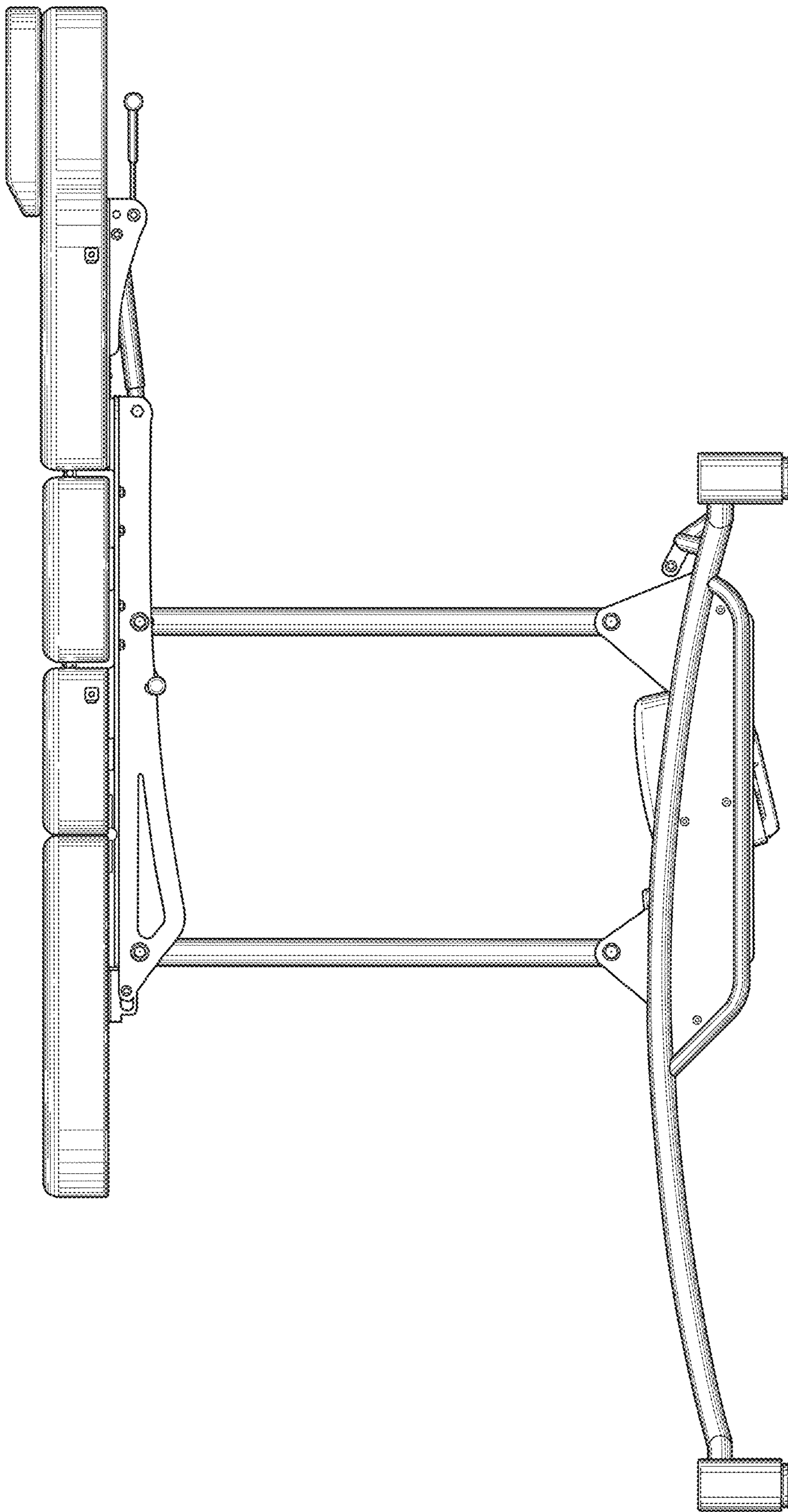


Fig. 10

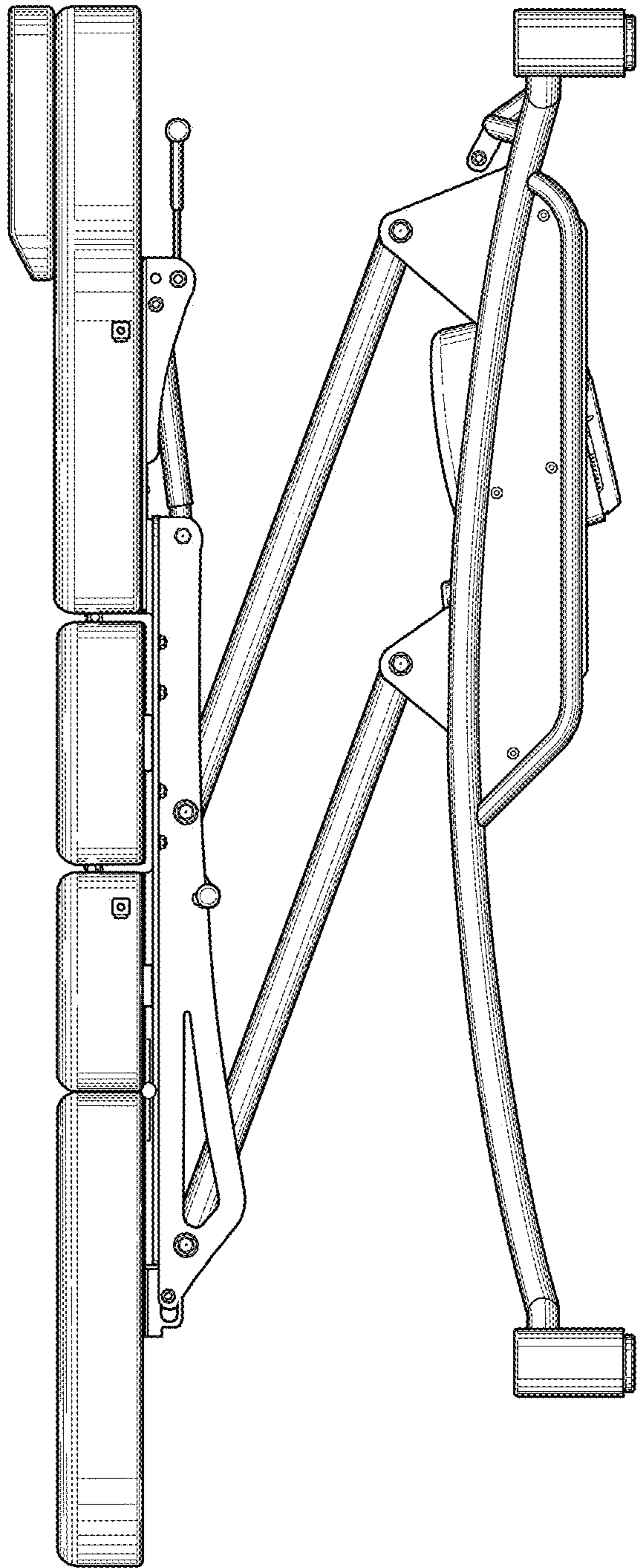


Fig. 11

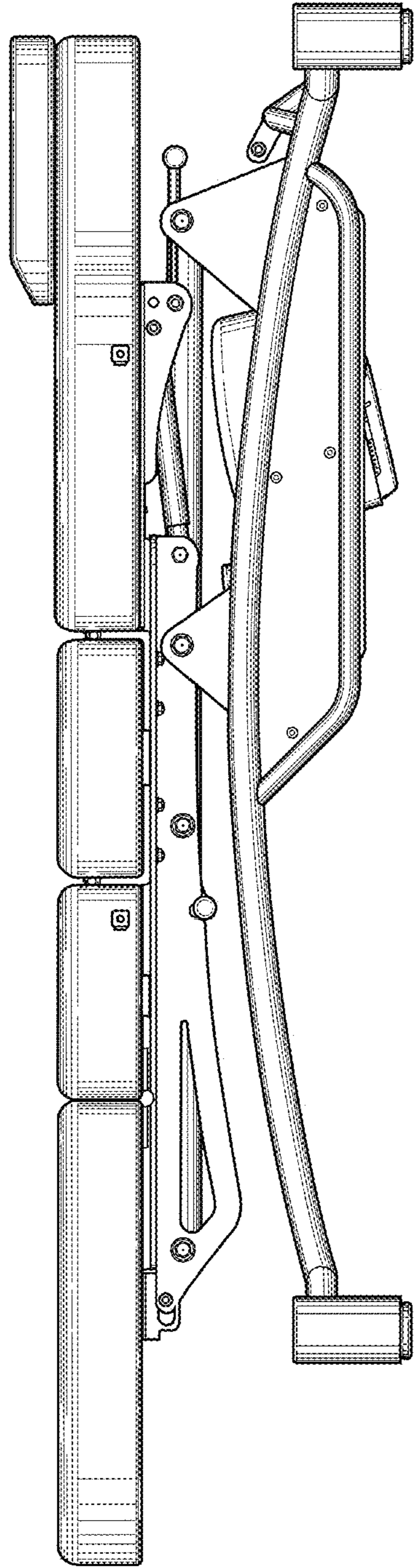


Fig. 12

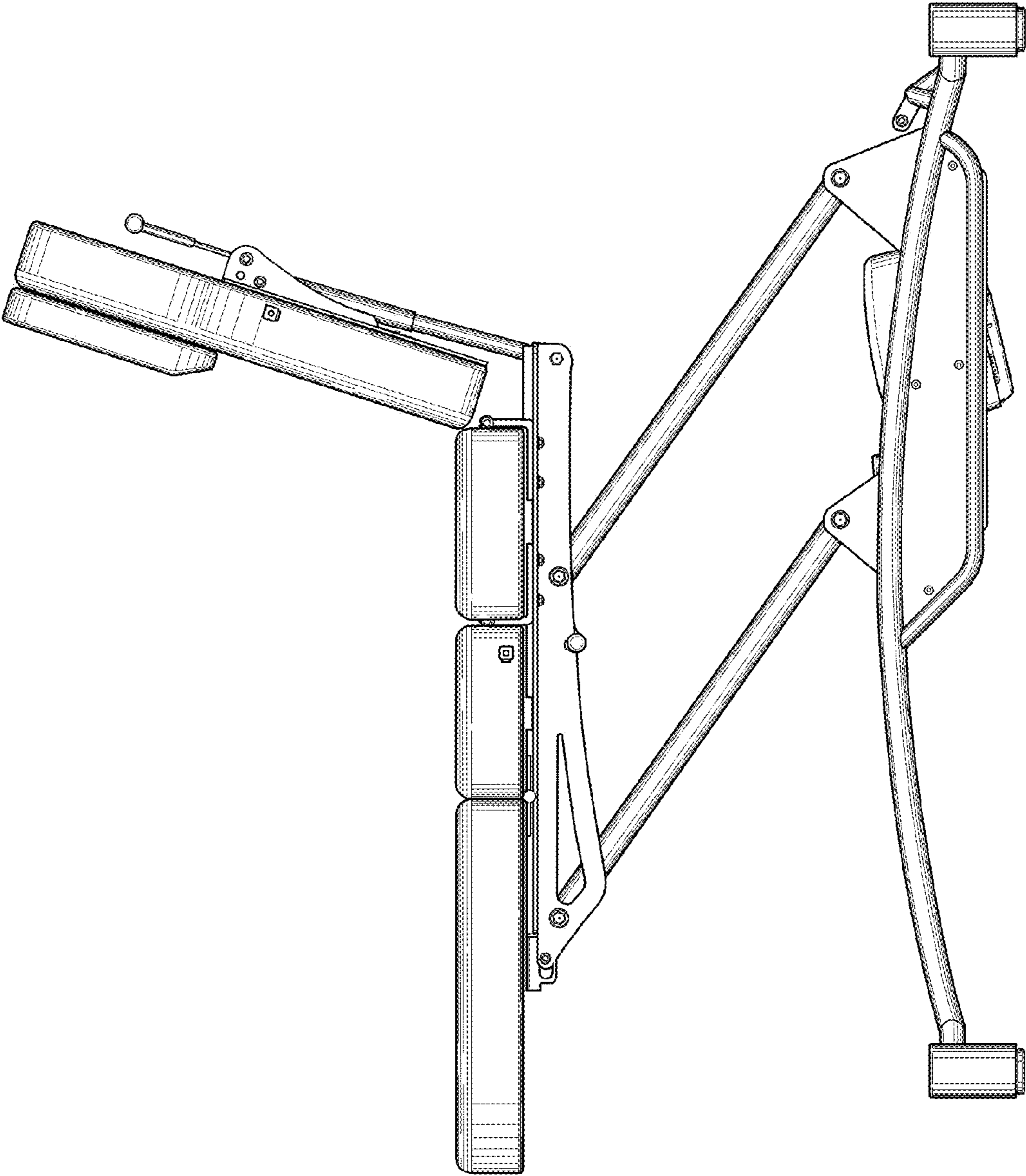


Fig. 13

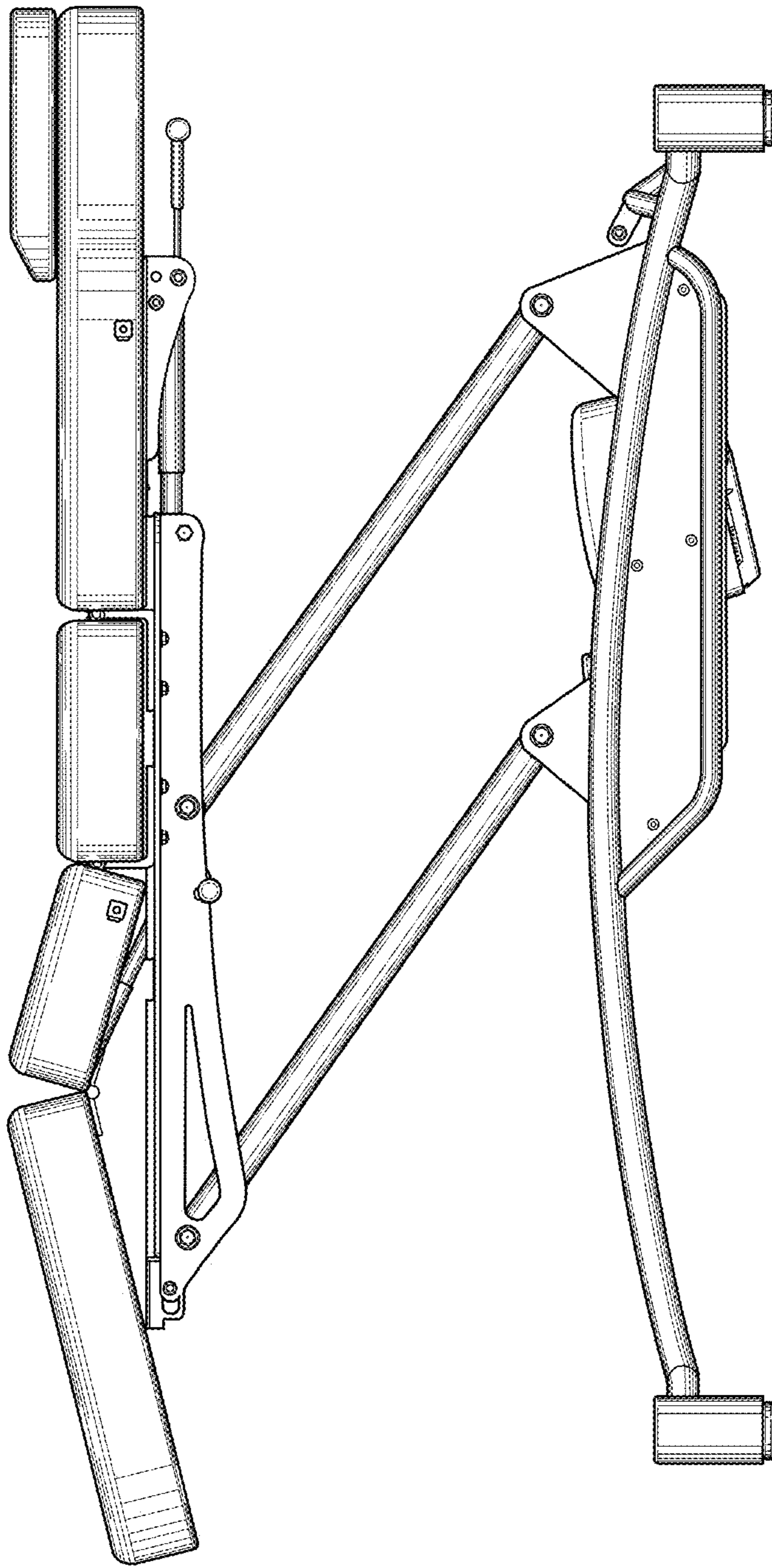


Fig. 14

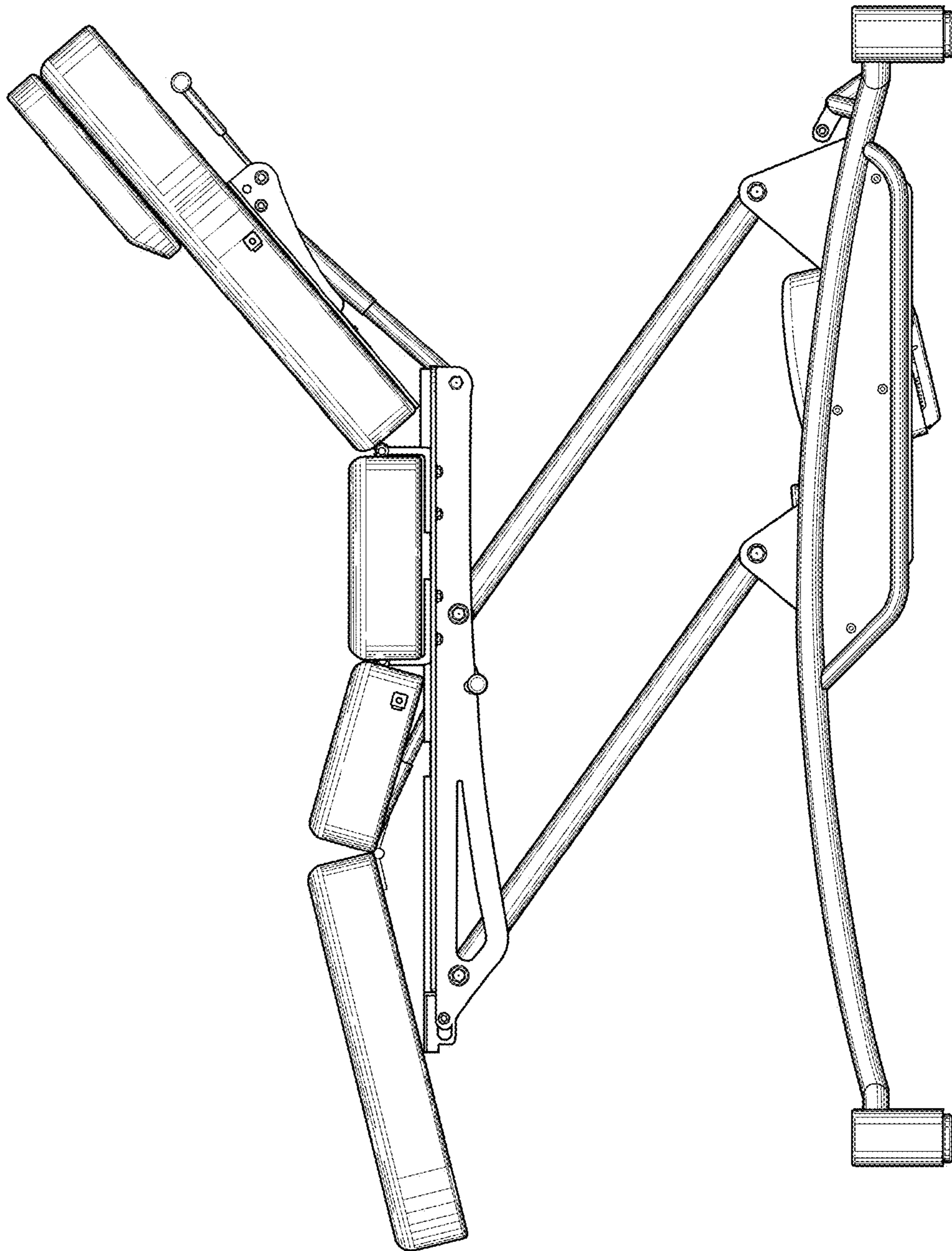


Fig. 15