



US00D953769S

(12) **United States Design Patent**
Xu

(10) **Patent No.:** **US D953,769 S**
(45) **Date of Patent:** **** Jun. 7, 2022**

(54) **BABY BED**

(71) Applicant: **Dandan Xu**, Ningbo (CN)

(72) Inventor: **Dandan Xu**, Ningbo (CN)

(**) Term: **15 Years**

(21) Appl. No.: **29/797,968**

(22) Filed: **Jul. 5, 2021**

(51) **LOC (13) Cl.** **06-01**

(52) **U.S. Cl.**
USPC **D6/390**

(58) **Field of Classification Search**
USPC D6/333, 344, 348, 715, 347, 390, 392,
D6/716, 718.26, 382, 391, 384; D23/278;
D3/276, 283, 289
CPC ... A47C 3/02; A47D 1/00; A47D 9/02; A47D
13/02; A47D 13/10; A47D 13/107; A47D
7/00; A47D 9/00; A47D 15/003; A47D
15/008; A47D 9/005; A47D 7/007; A45C
3/001; A45C 3/00; A45C 13/02; A45C
2003/008; A45C 2009/007; A63H 33/006
See application file for complete search history.

(56) **References Cited**

U.S. PATENT DOCUMENTS

D523,257 S 6/2006 Kassai et al.
9,585,495 B2* 3/2017 Gottsleben A63H 33/006

10,228,090 B2* 3/2019 Bearsch F16M 11/38
D876,856 S 3/2020 Jiang
D899,130 S 10/2020 Dolk et al.
2005/0148278 A1* 7/2005 Drobinski A63H 33/006
446/227
2007/0061961 A1* 3/2007 Shamie A47D 7/007
5/93.1
2016/0066709 A1* 3/2016 Gottsleben A63H 33/006
5/93.1
2019/0059610 A1* 2/2019 Chen A47D 9/02

* cited by examiner

Primary Examiner — Kevin K Rudzinski
Assistant Examiner — Paul D Bohannon

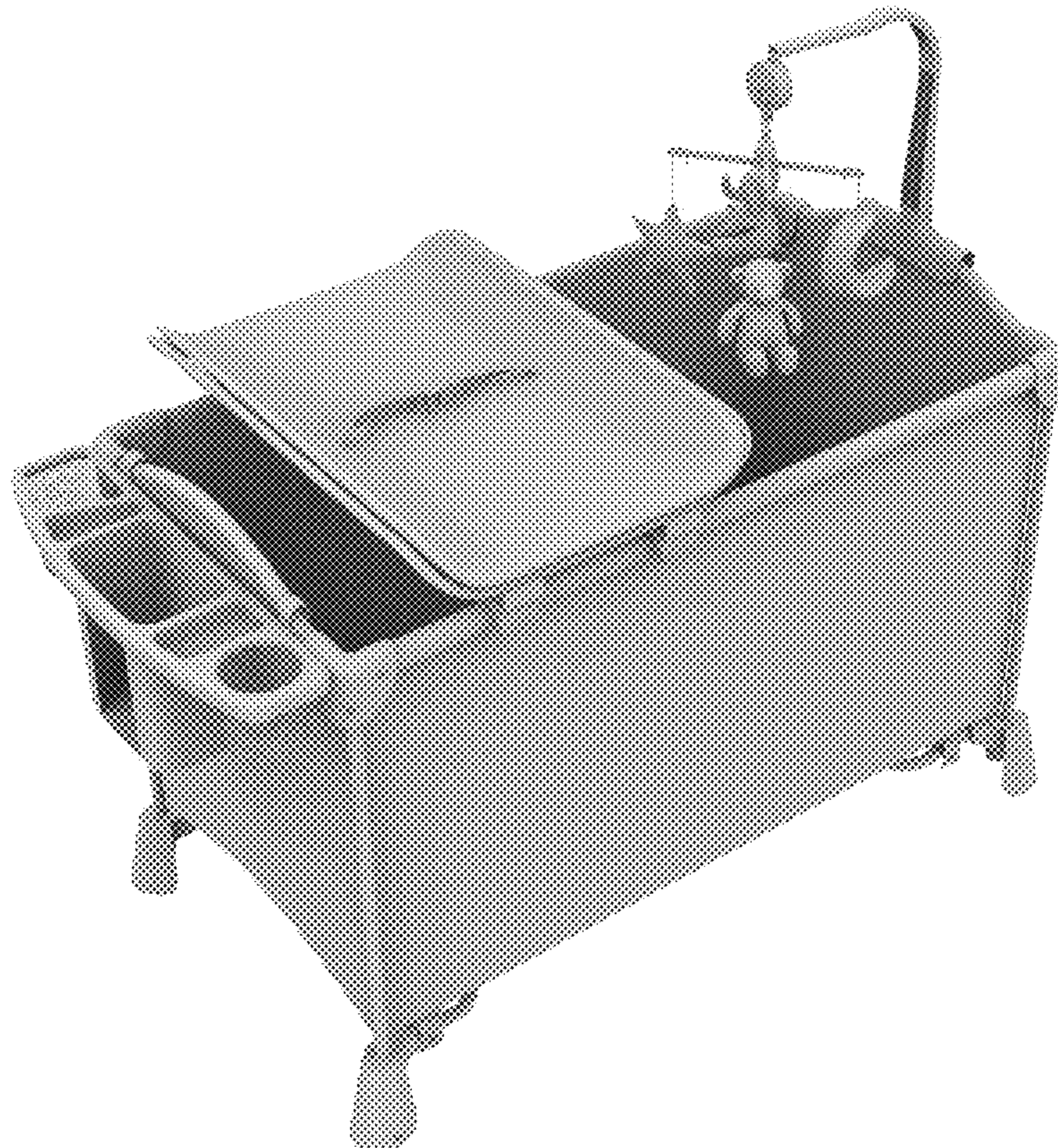
(57) **CLAIM**

The ornamental design for a baby bed, as shown and described.

DESCRIPTION

FIG. 1 is a first perspective view of a baby bed showing my new design;
FIG. 2 is a second perspective view thereof;
FIG. 3 is a front view thereof;
FIG. 4 is a back view thereof;
FIG. 5 is a left side view thereof;
FIG. 6 is a right side view thereof;
FIG. 7 is a top view thereof; and,
FIG. 8 is a bottom view thereof.

1 Claim, 8 Drawing Sheets



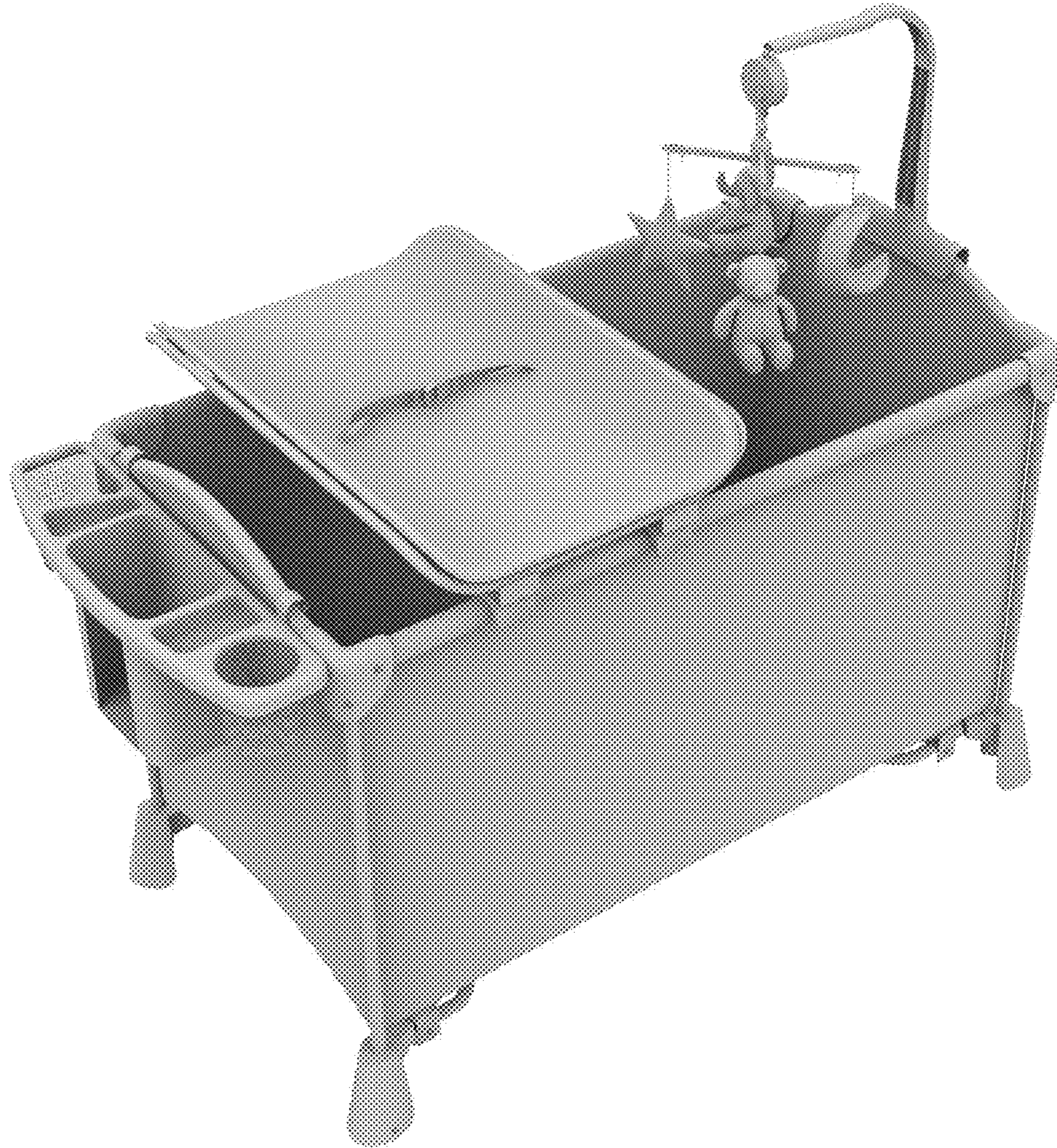


FIG. 1

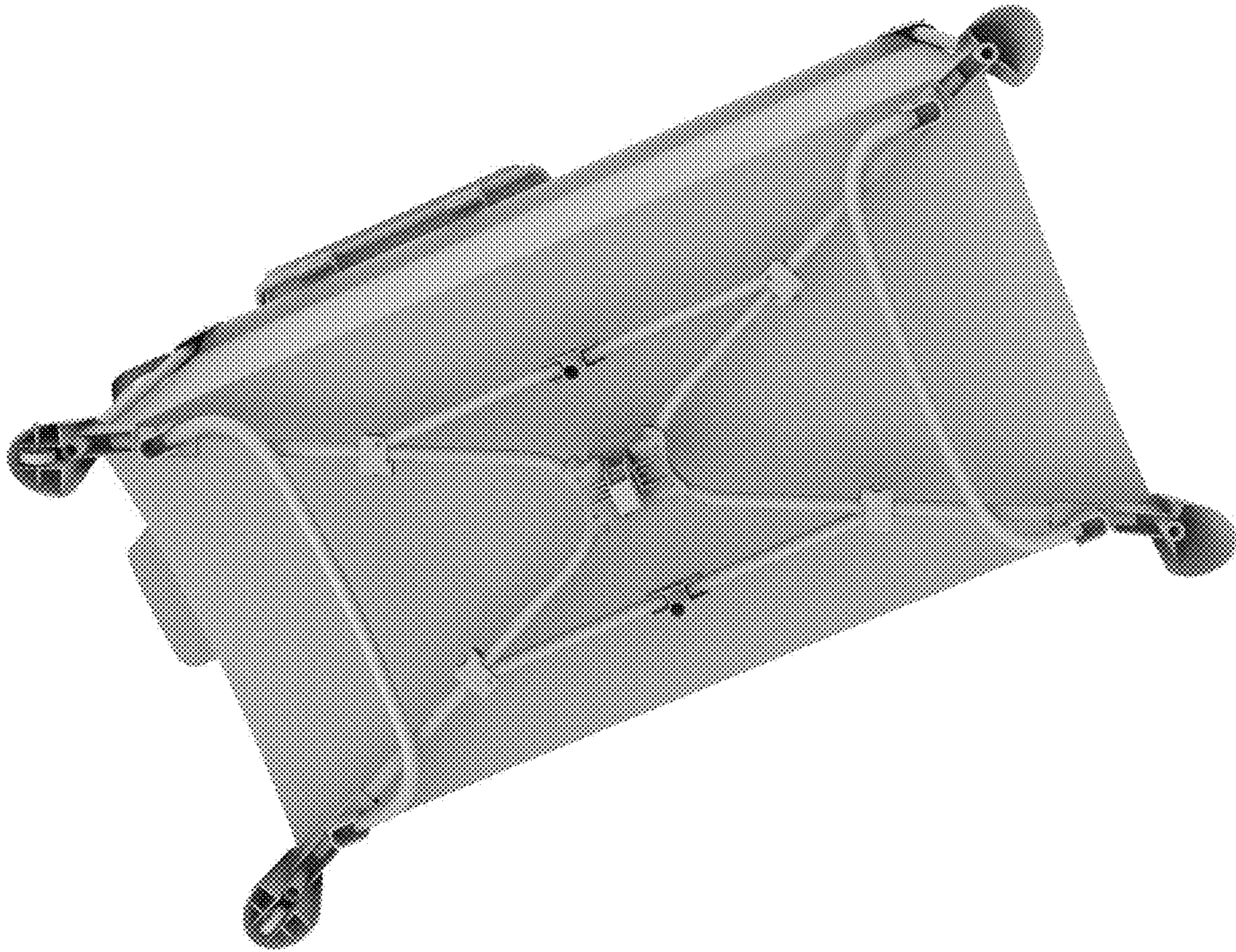


FIG. 2

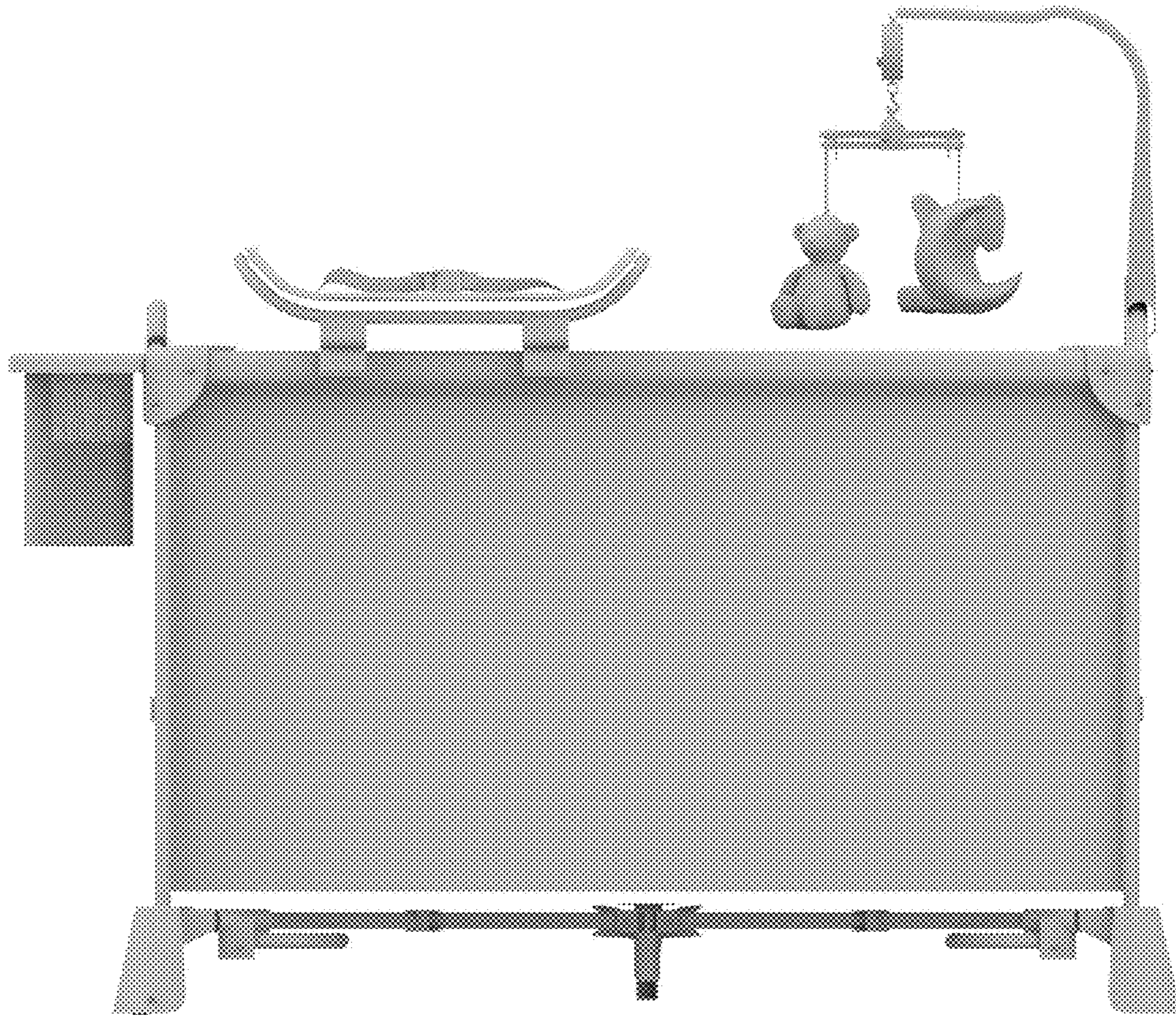


FIG. 3

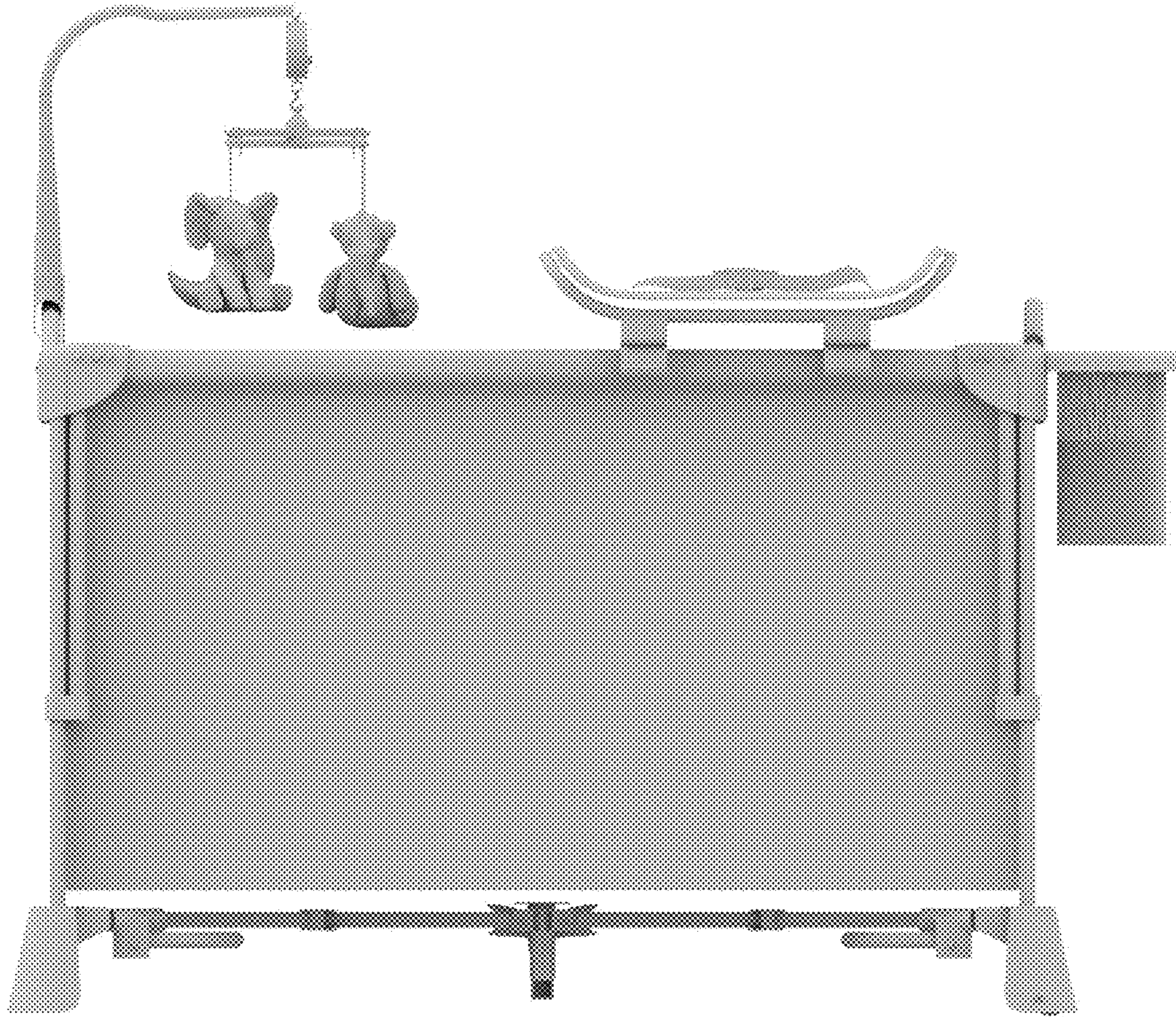


FIG. 4

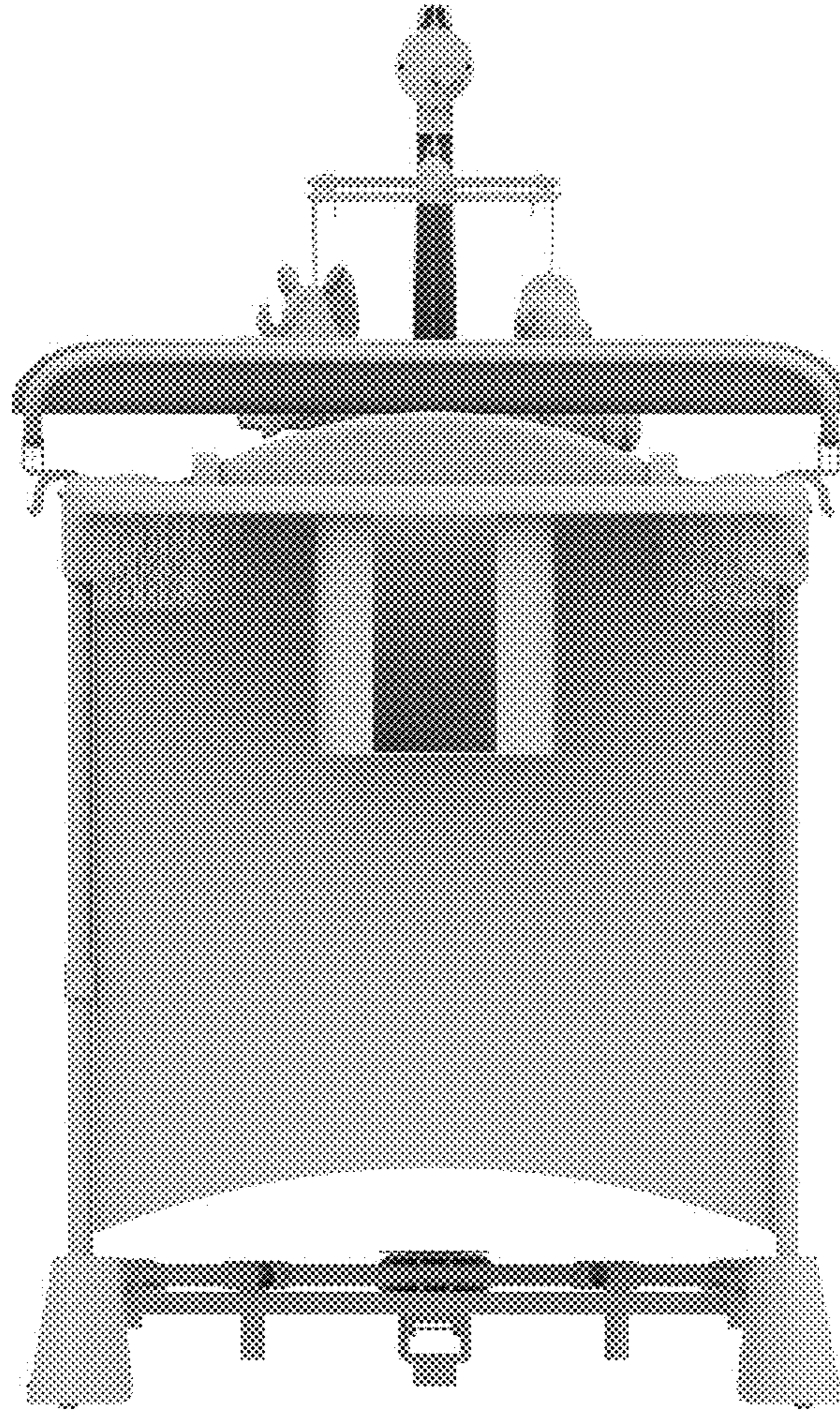


FIG. 5

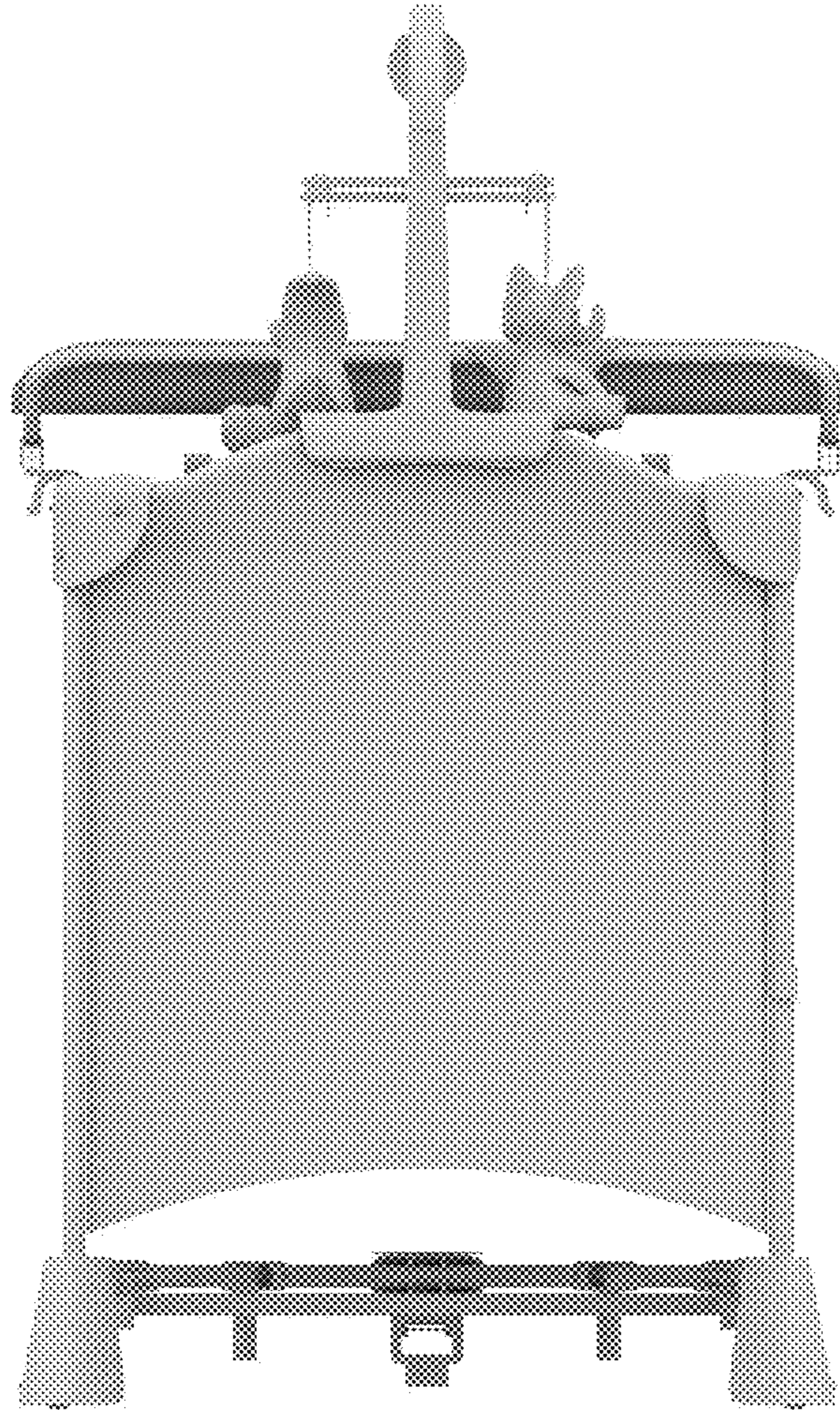


FIG. 6

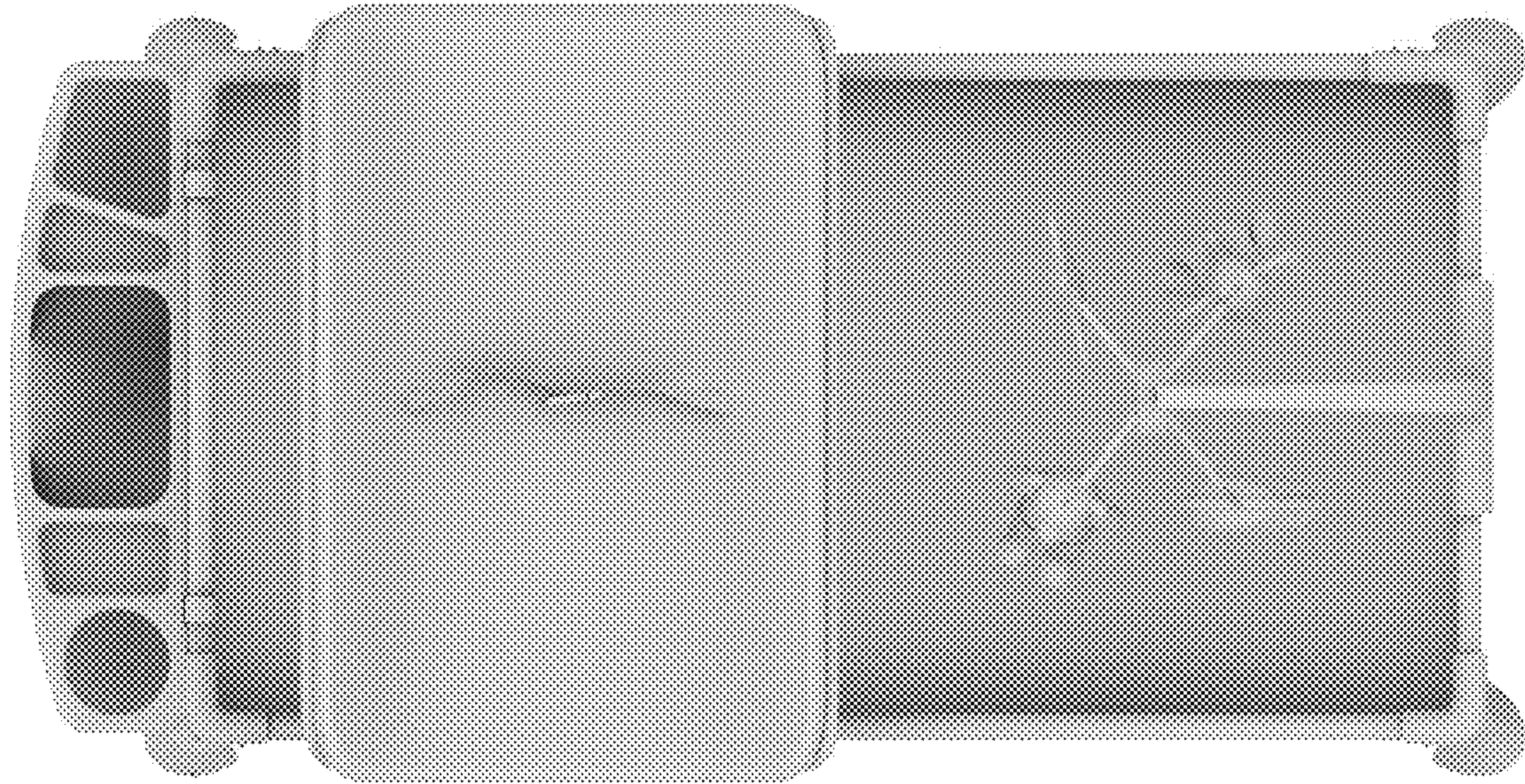


FIG. 7

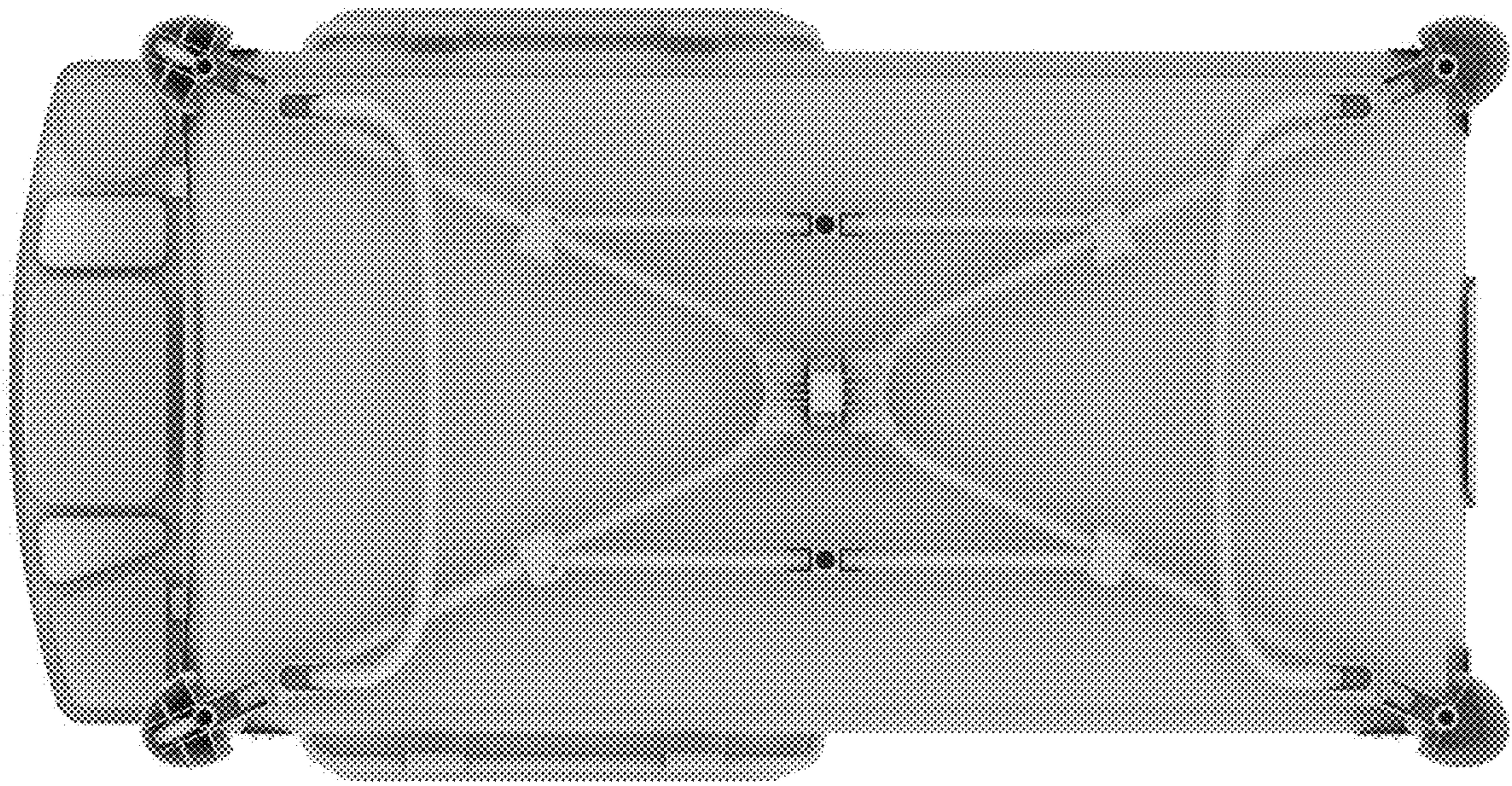


FIG. 8