



US00D953768S

(12) **United States Design Patent**  
**Wylie**

(10) **Patent No.:** **US D953,768 S**  
(45) **Date of Patent:** **\*\* Jun. 7, 2022**

- (54) **COMPARTMENTALIZED HAMMOCK**
- (71) Applicant: **Darrin Keith Wylie**, San Antonio, TX (US)
- (72) Inventor: **Darrin Keith Wylie**, San Antonio, TX (US)
- (\*\*) Term: **15 Years**
- (21) Appl. No.: **29/724,301**
- (22) Filed: **Feb. 13, 2020**
- (51) **LOC (13) Cl.** ..... **06-02**
- (52) **U.S. Cl.**  
USPC ..... **D6/387**
- (58) **Field of Classification Search**  
USPC ..... D6/382, 387, 389; D21/834, 838, 839, D21/836  
CPC ..... A47C 5/02; A47C 3/02; A45F 3/22; A45F 3/00; A45F 3/24  
See application file for complete search history.

- (56) **References Cited**  
U.S. PATENT DOCUMENTS  
2,096,423 A \* 10/1937 Burr ..... A45F 3/22 5/122  
5,038,428 A \* 8/1991 Shur ..... A45F 3/22 5/122  
5,113,537 A \* 5/1992 Turk ..... A45F 3/22 135/90

- (Continued)
- FOREIGN PATENT DOCUMENTS  
DE 202015006106 U1 10/2015
- OTHER PUBLICATIONS

Corvus Outdoors Double Camping Hammock, available in Amazon.com, date first available Aug. 8, 2019 [online], Retrieved on Dec. 1,

2021 from URL: <https://www.amazon.com/Corvus-Outdoors-Outdoor-Camping-Hammock/dp/B07WC3SX8V?th=1> (Year: 2019).\*  
(Continued)

*Primary Examiner* — Vy N Koenig  
*Assistant Examiner* — Michelle M Reeves  
(74) *Attorney, Agent, or Firm* — Narek Zohrabyan; Phil IP Law Inc.

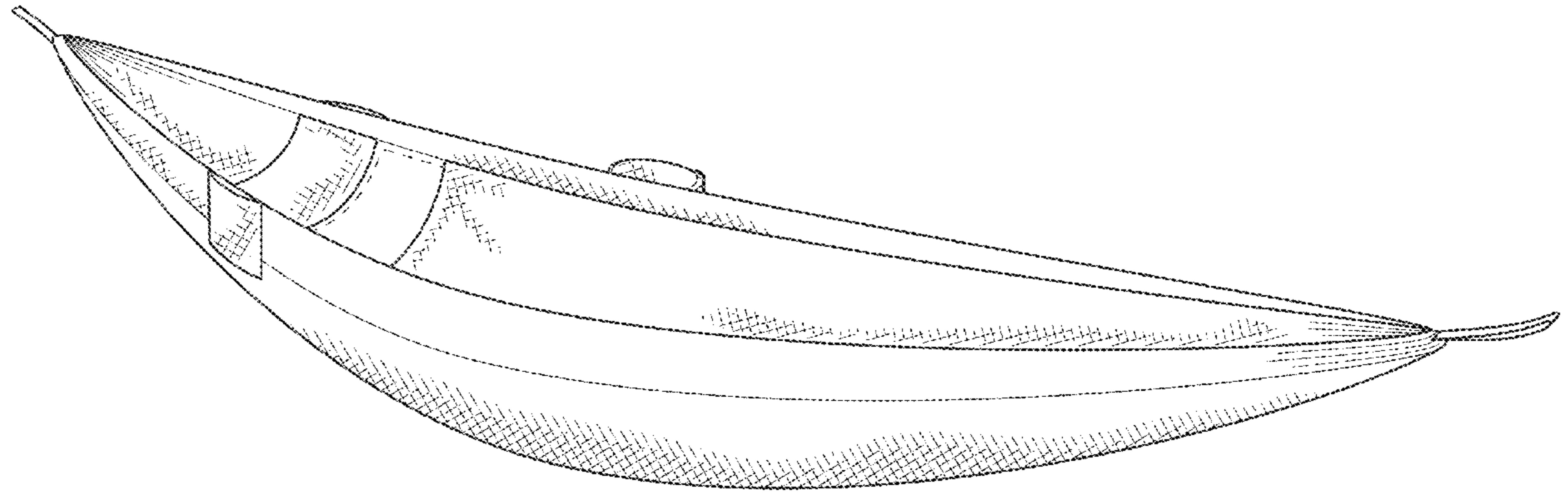
(57) **CLAIM**  
The ornamental design for a compartmentalized hammock, as shown and described.

**DESCRIPTION**

FIG. 1—Top, front, right side perspective view of a compartmentalized hammock;  
 FIG. 2—Top, rear, left side perspective view the compartmentalized hammock;  
 FIG. 3—Front elevation view of the compartmentalized hammock, shown at an enlarged scale;  
 FIG. 4—Rear elevation view of the compartmentalized hammock, shown at an enlarged scale;  
 FIG. 5—Right side elevation view of the compartmentalized hammock;  
 FIG. 6—Left side elevation view of the compartmentalized hammock;  
 FIG. 7—Top plan view of the compartmentalized hammock;  
 FIG. 8—Bottom plan view of the compartmentalized hammock;  
 FIG. 9—Cross-section view of the compartmentalized hammock taken along line 9-9 of FIG. 7;  
 FIG. 10—Cross-section view of the compartmentalized hammock taken along line 10-10 of FIG. 7; and,  
 FIG. 11—Enlarged detail view of a portion of the compartmentalized hammock of FIG. 1.

The broken lines shown are included for the purpose of illustrating the unclaimed portions of the compartmentalized hammock and form no part of the claim.

**1 Claim, 5 Drawing Sheets**



(56)

**References Cited**

U.S. PATENT DOCUMENTS

D425,722	S *	5/2000	Hennessy	.....	D6/387
6,865,757	B2	3/2005	Hennessy		
9,968,178	B2 *	5/2018	Frazer	.....	A45F 3/22
D870,483	S *	12/2019	Zhao	.....	D6/387
2009/0065036	A1 *	3/2009	Johnson	.....	A45F 3/22
					135/95
2014/0304911	A1 *	10/2014	Kramer	.....	A45F 3/22
					5/121
2016/0338477	A1 *	11/2016	Browning	.....	A47G 9/08
2017/0224092	A1 *	8/2017	Smith, Jr.	.....	A45F 3/22
2018/0000256	A1 *	1/2018	Saunders, Sr.	.....	A47C 27/14
2018/0289134	A1 *	10/2018	Hoopes	.....	A45F 3/24
2018/0352940	A1 *	12/2018	Kaltreider	.....	A47C 21/048
2020/0123801	A1 *	4/2020	Tillotson	.....	A45F 3/22

OTHER PUBLICATIONS

Hammock Bliss Sky Bed, available in Amazon.co.uk, date first available Mar. 26, 2014 [online], Retrieved on Dec. 2, 2021 from

URL: <https://www.amazon.co.uk/Hammock-Bliss-Sky-Bed-Asymmetrical/dp/B00AQEO78Q/> (Year: 2014).\*

Boundarylifegear, available in Instagram.com, published Sep. 27, 2021 Year 2021 [online] Retrieved on Dec. 1, 2021 from URL: [https://www.instagram.com/p/CUWGCRkM7J\\_/](https://www.instagram.com/p/CUWGCRkM7J_/) (Year: 2021).\*

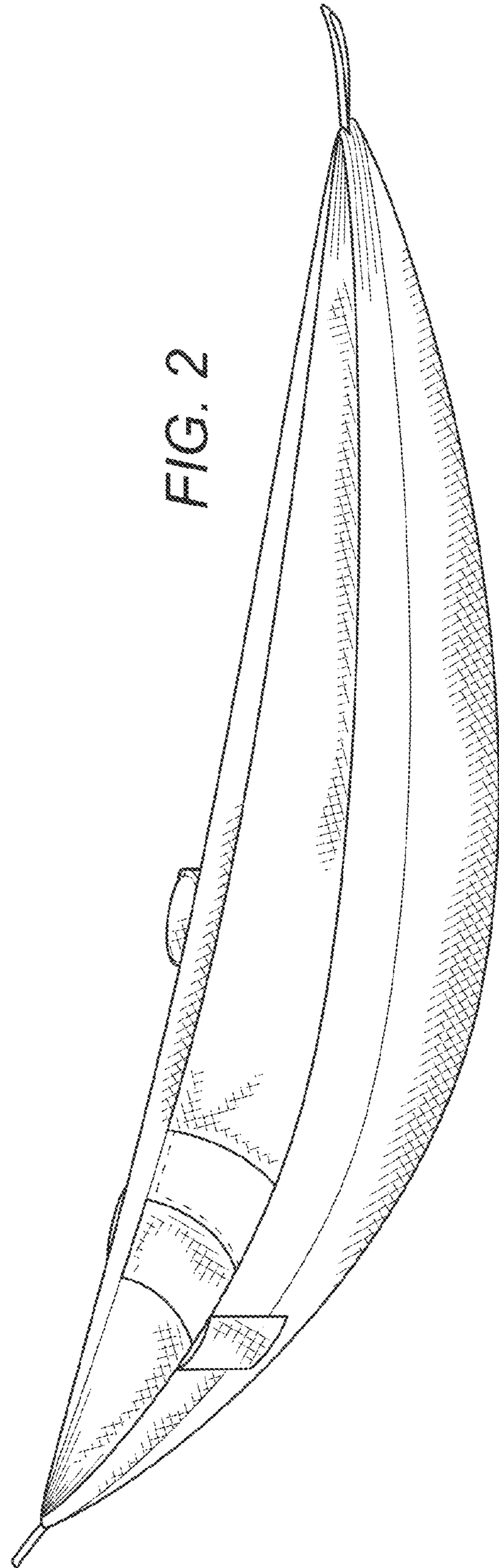
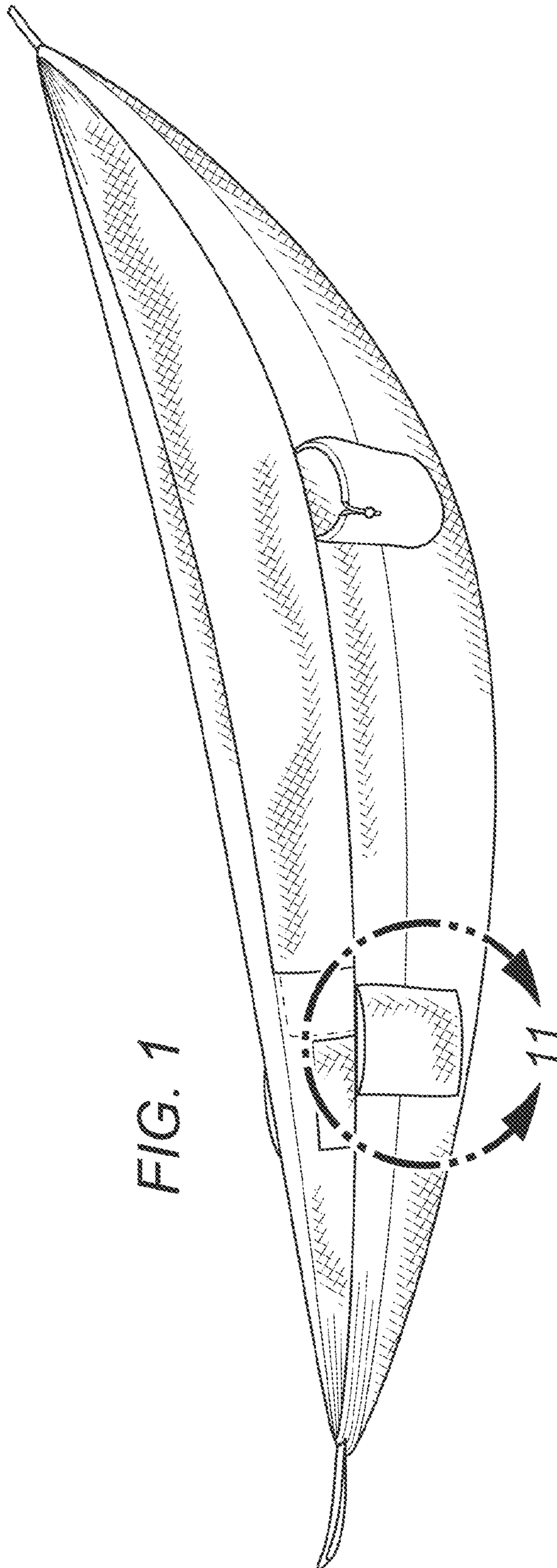
Warbonnet Original Blackbird Review, URL [<https://www.outdoorgearlab.com/reviews/camping-and-hiking/hammock/warbonnet-original-blackbird/>], last accessed Jan. 23, 2020.

Chameleon Hammock—Dutchware, URL [<https://dutchwaregear.com/product/chameleon-hammock/#chameleon-body>], last accessed Jan. 23, 2020.

Segmented Pad Extender, URL [[www.tothewoods.net/HomemadeGearSPE.php](http://www.tothewoods.net/HomemadeGearSPE.php)], last accessed Jan. 23, 2020.

Blackbird XLC, URL [<https://www.warbonnetoutdoors.com/product/blackbird-xlc/>], last accessed Jan. 23, 2020.

\* cited by examiner



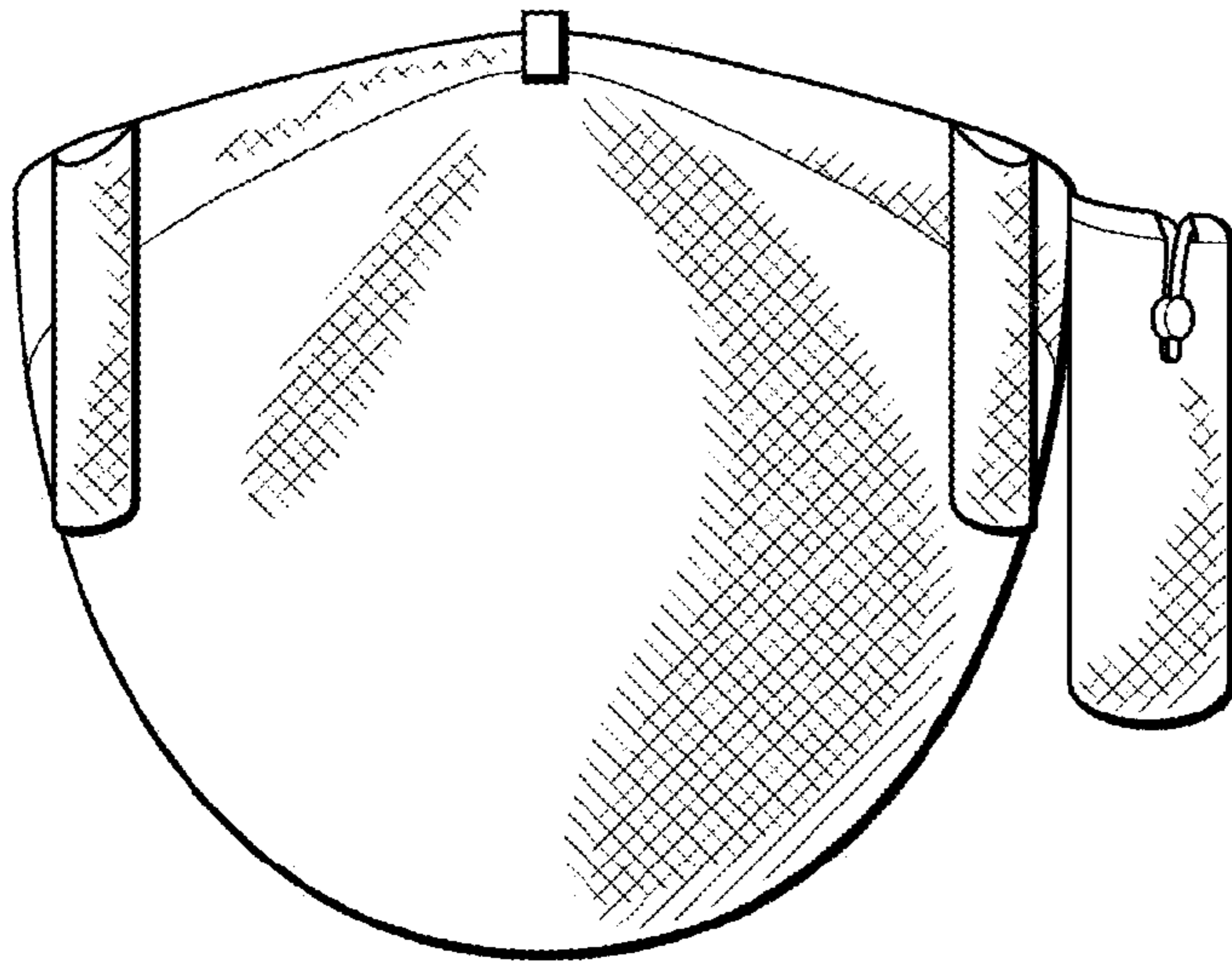


FIG. 3

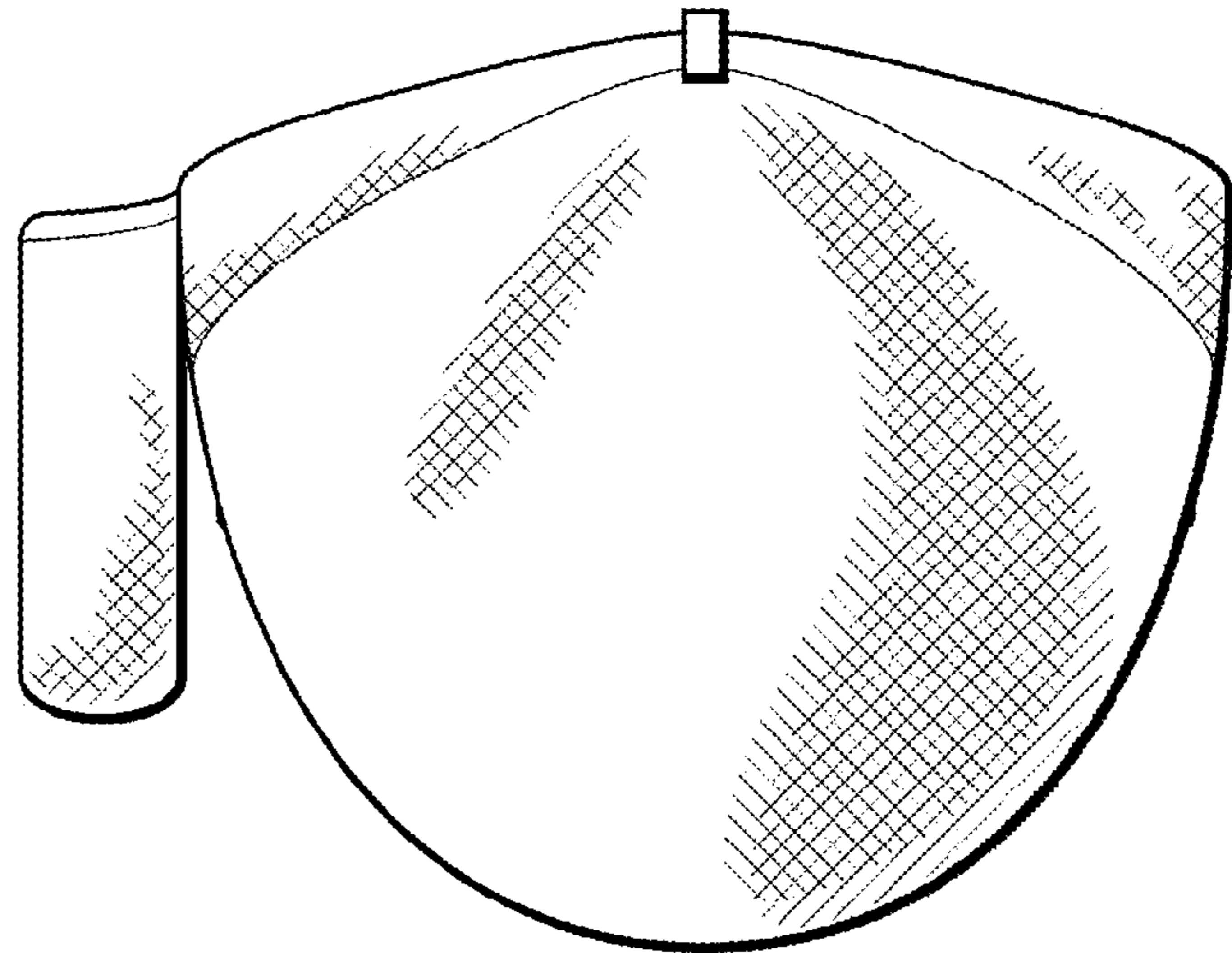


FIG. 4

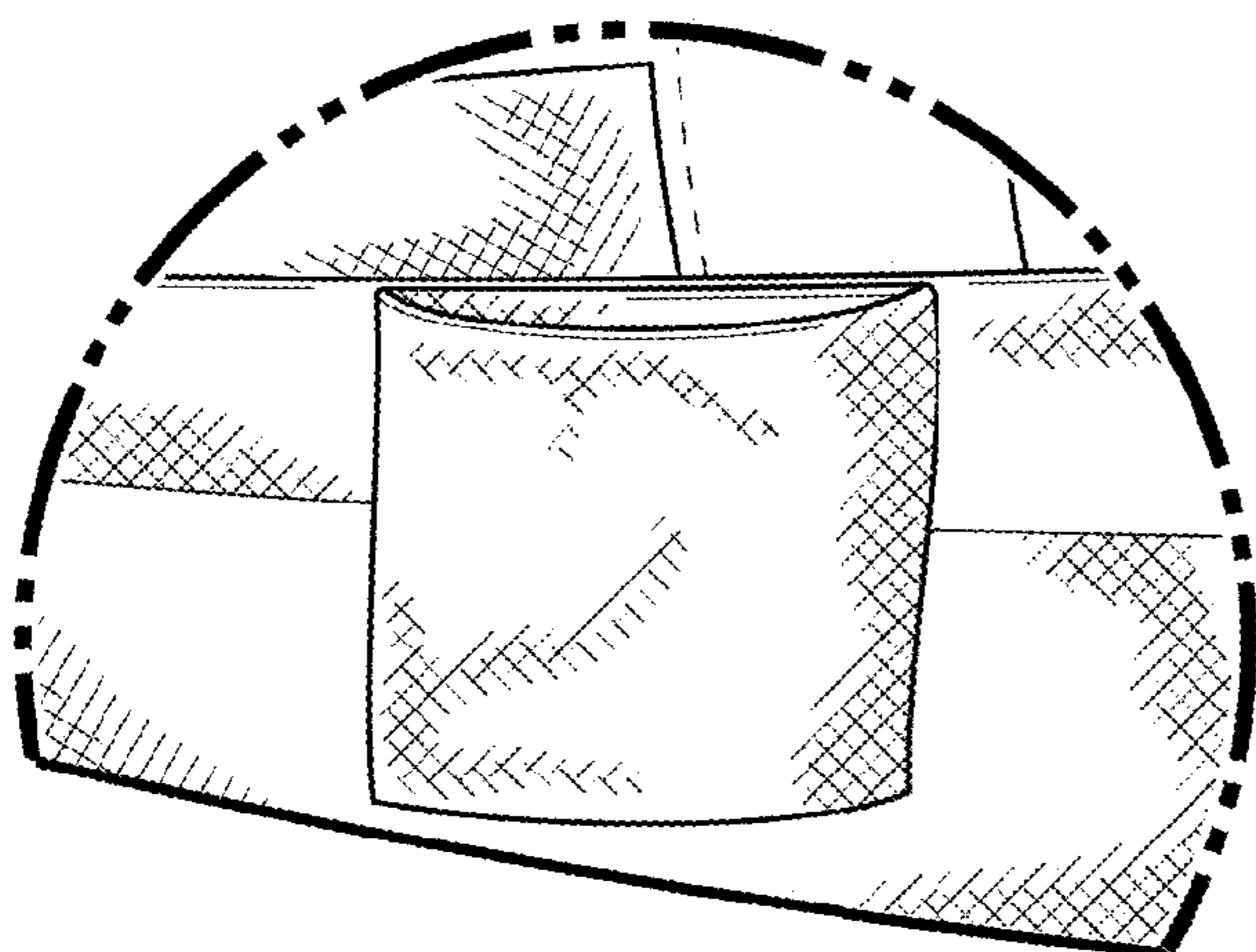


FIG. 11

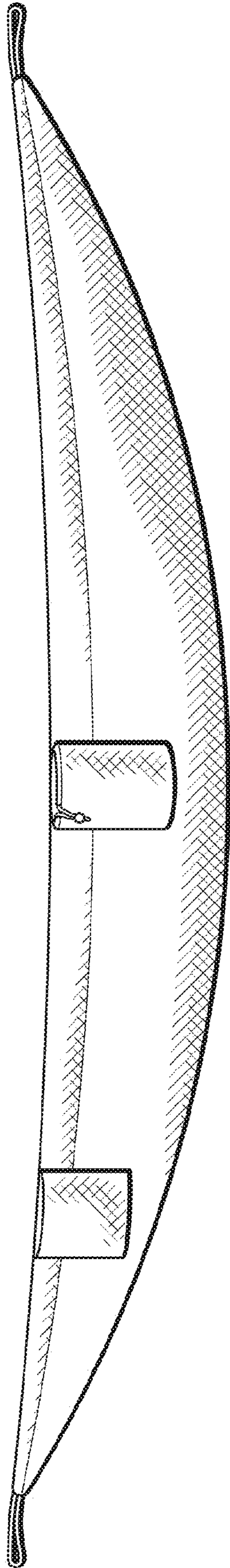


FIG. 5

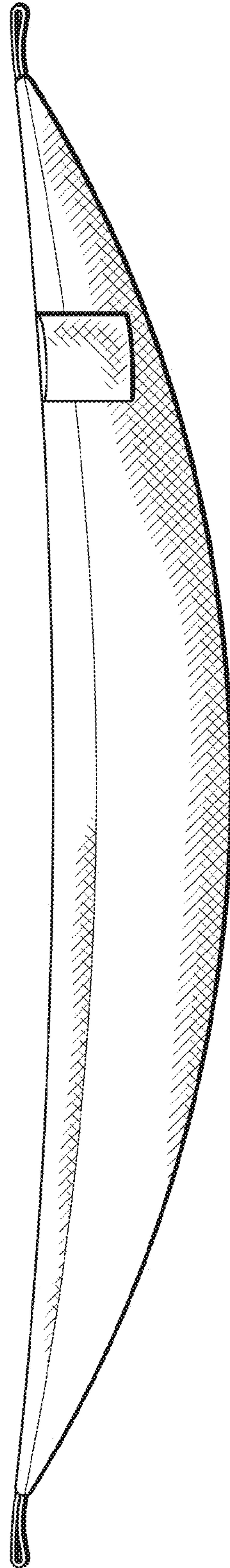
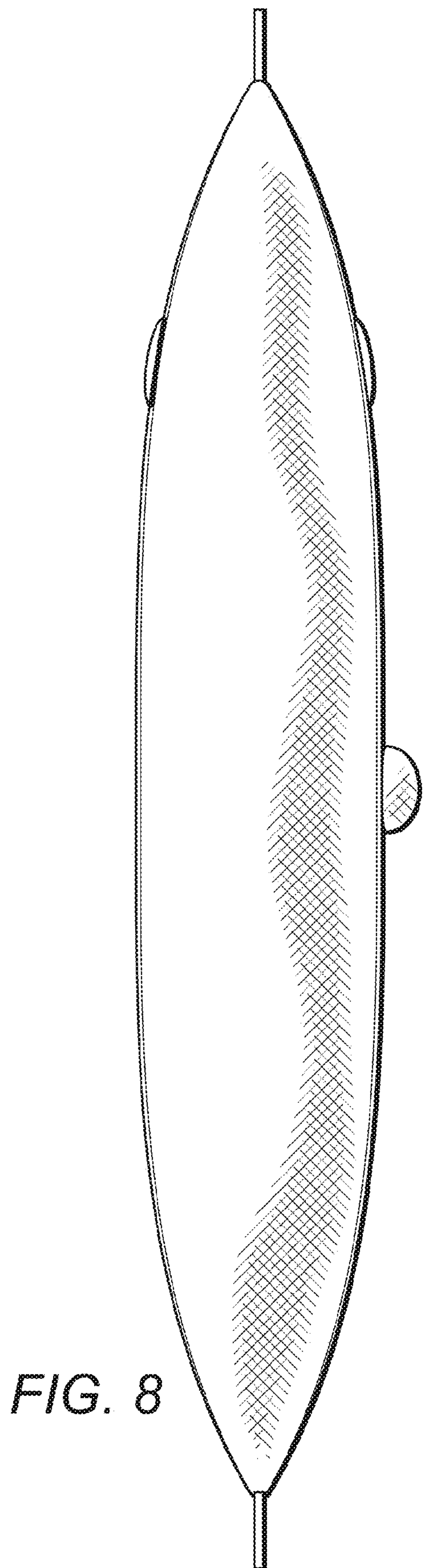
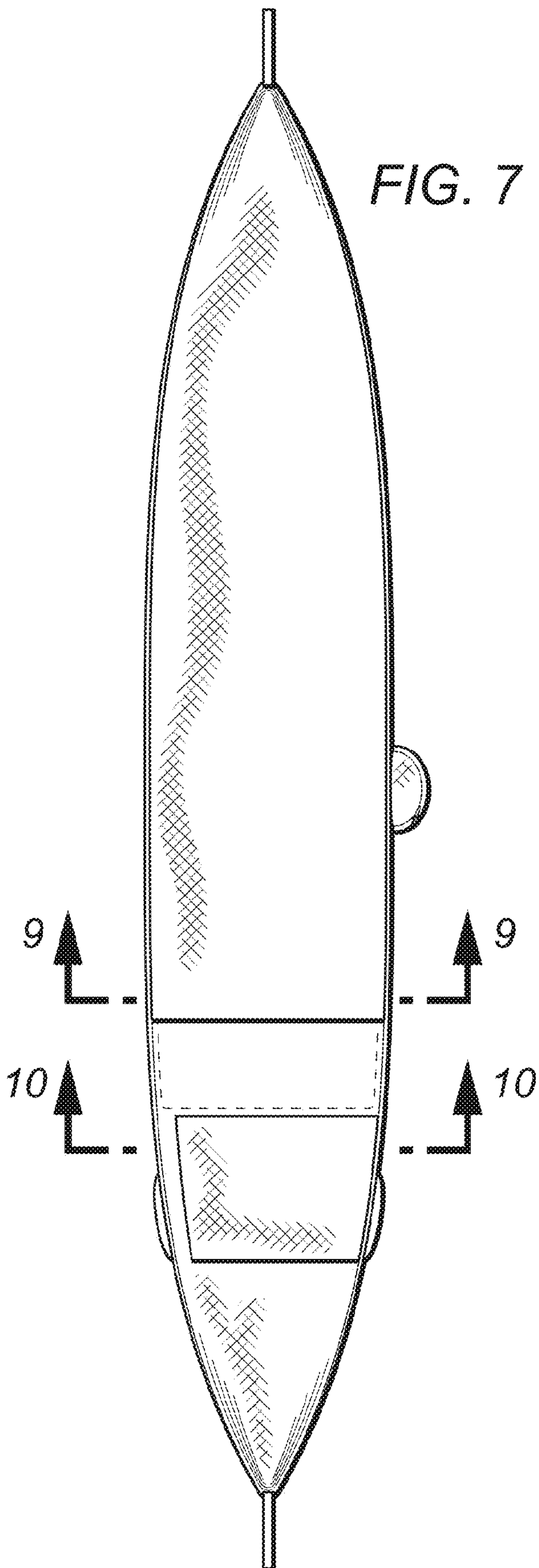


FIG. 6



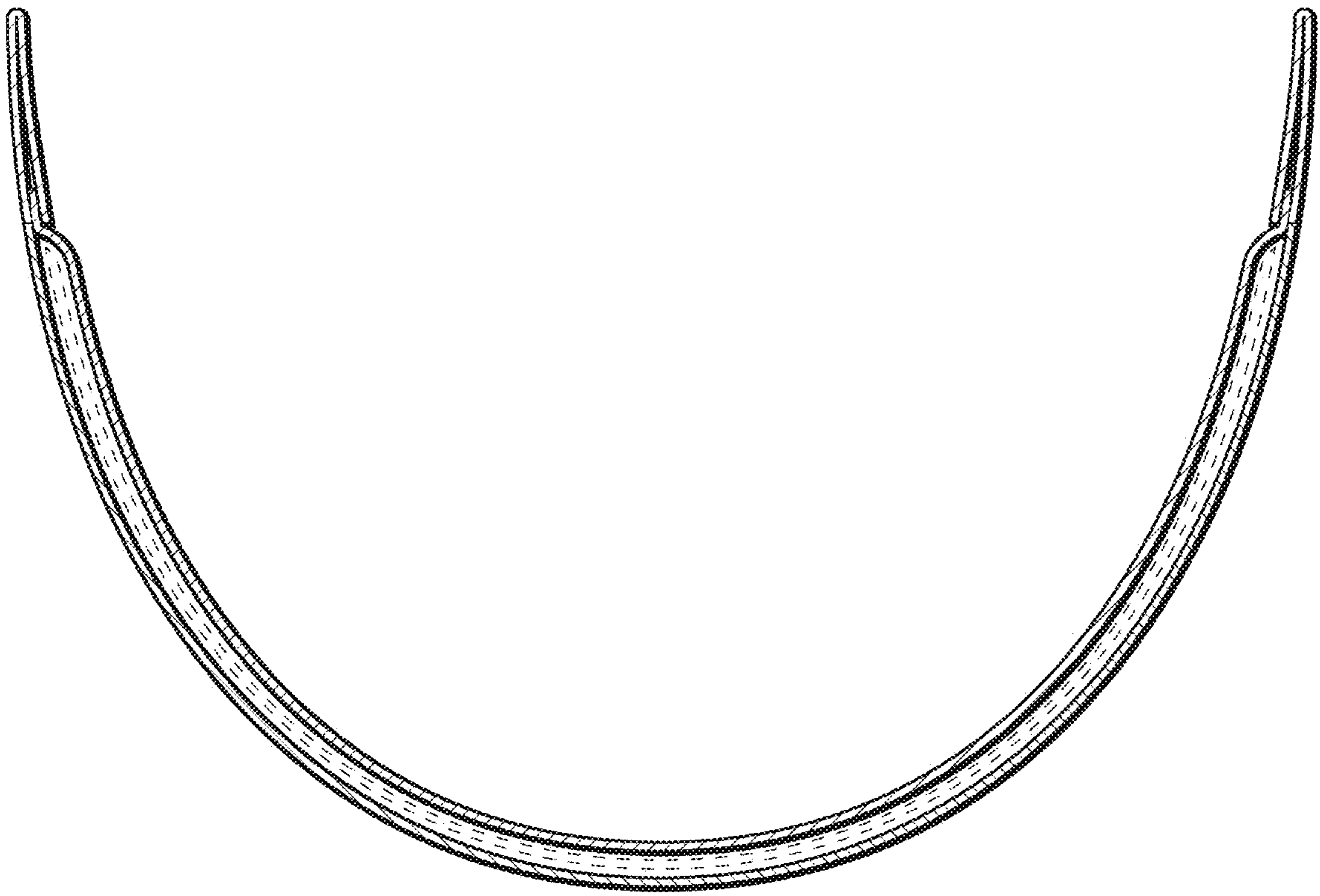


FIG. 9

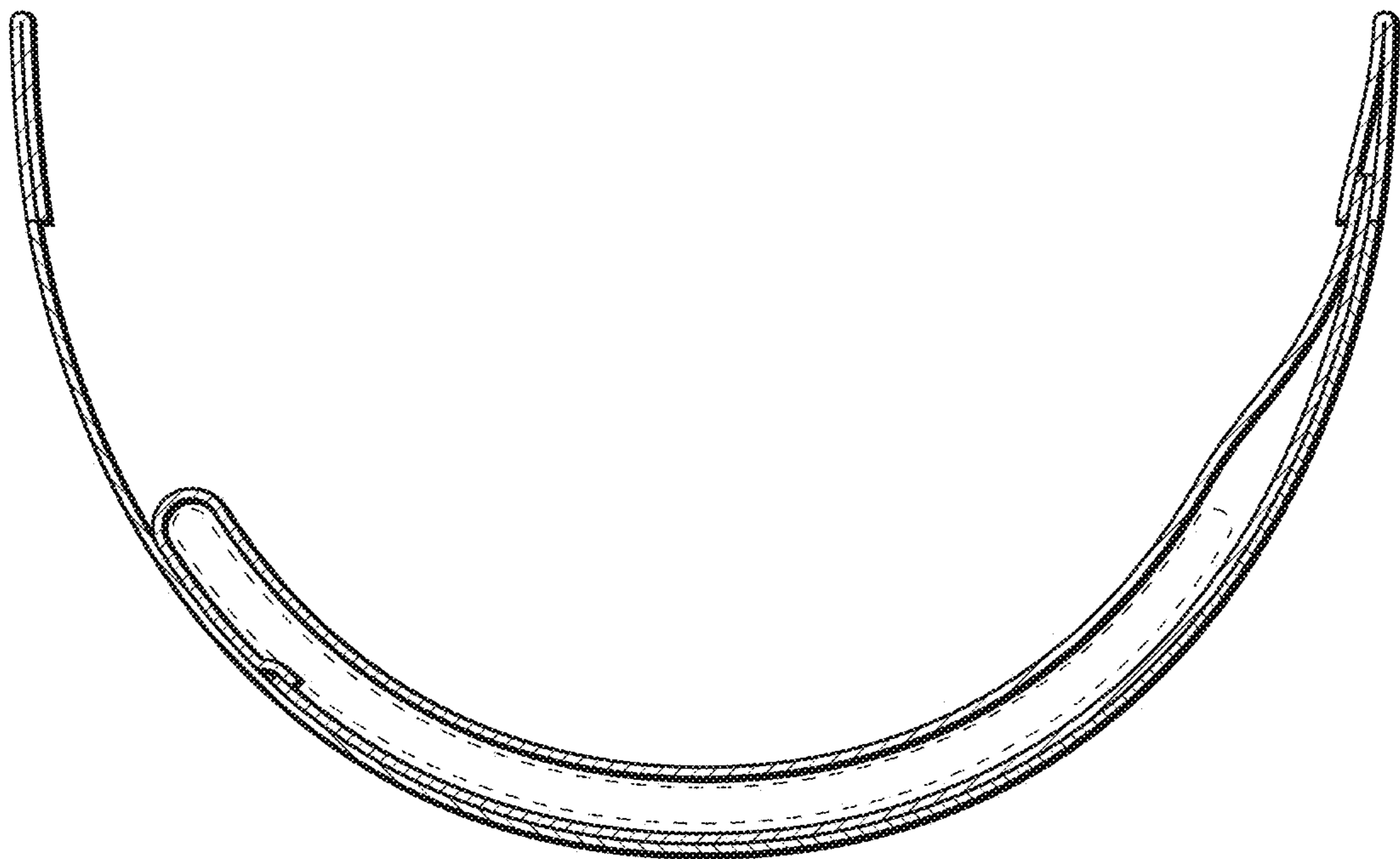


FIG. 10