



US00D953767S

(12) **United States Design Patent** (10) **Patent No.:** **US D953,767 S**
Menchions et al. (45) **Date of Patent:** **** Jun. 7, 2022**

(54) **FURNITURE**

(71) Applicant: **REPUBLIC of II BY IV Inc.**, Toronto (CA)

(72) Inventors: **Dan Menchions**, Toronto (CA); **Keith Rushbrook**, Toronto (CA)

(73) Assignee: **REPUBLIC OF II BY IV INC.**, Toronto (CA)

(**) Term: **15 Years**

(21) Appl. No.: **29/747,045**

(22) Filed: **Aug. 19, 2020**

(30) **Foreign Application Priority Data**

Feb. 20, 2020 (CA) CA 193238

(51) **LOC (13) Cl.** **06-01**

(52) **U.S. Cl.**
USPC **D6/381**

(58) **Field of Classification Search**
USPC D6/334, 341, 349, 350, 352, 353, 360,
D6/364, 369, 373, 374, 375, 380, 677,
(Continued)

(56) **References Cited**

U.S. PATENT DOCUMENTS

D273,253 S * 4/1984 Dubbin D6/381
D290,559 S * 6/1987 Raftery D6/378
(Continued)

OTHER PUBLICATIONS

“SABLUE Replica Gold Bar Fake Golden Brick Bullion Movie Prop Novelty Gift Joke (S)” Mar. 14, 2019, amazon.com, site visited Jan. 5, 2022 <https://www.amazon.com/SABLUE-Replica-Golden-Bullion-Novelty/dp/B07JVQFHRX/ref=cm_cr_arp_d_product_top?ie=UTF8> (Year: 2019).*

(Continued)

Primary Examiner — Kevin K Rudzinski

Assistant Examiner — Paul D Bohannon

(74) *Attorney, Agent, or Firm* — Westman, Champlin & Koehler, P.A.

(57) **CLAIM**

The ornamental design for furniture, as shown and described.

DESCRIPTION

FIG. 1 is a front perspective view of the furniture of the present invention, showing a first embodiment for use as a bench;

FIG. 2 is a left end view of the design of FIG. 1;

FIG. 3 is a front view of the design of FIG. 1;

FIG. 4 is a right end view of the design of FIG. 1;

FIG. 5 is a rear view of the design of FIG. 1; and

FIG. 6 is a top view of the design of FIG. 1;

FIG. 7 is a front perspective view of a second embodiment thereof, for use as a bench, wherein the dashed lines shown on the upper portions of the article are stitched lines that do form part of the claimed design;

FIG. 8 is a left end view of the design of FIG. 7;

FIG. 9 is a front view of the design of FIG. 7;

FIG. 10 is a right end view of the design of FIG. 7;

FIG. 11 is a rear view of the design of FIG. 7; and

FIG. 12 is a top view of the design of FIG. 7;

FIG. 13 is a front perspective view of a third embodiment thereof, for use as a bench;

FIG. 14 is a left side view of the furniture item of FIG. 13;

FIG. 15 is a front view of the furniture item of FIG. 13;

FIG. 16 is a right side view of the furniture item of FIG. 13;

FIG. 17 is a rear view of the furniture item of FIG. 13;

FIG. 18 is a top view of the furniture item of FIG. 13;

FIG. 19 is a bottom view of the furniture item of FIG. 13;

FIG. 20 is a front perspective view of a fourth embodiment thereof, for use as a table;

FIG. 21 is a left side view of the furniture item of FIG. 20;

FIG. 22 is a front view of the furniture item of FIG. 20;

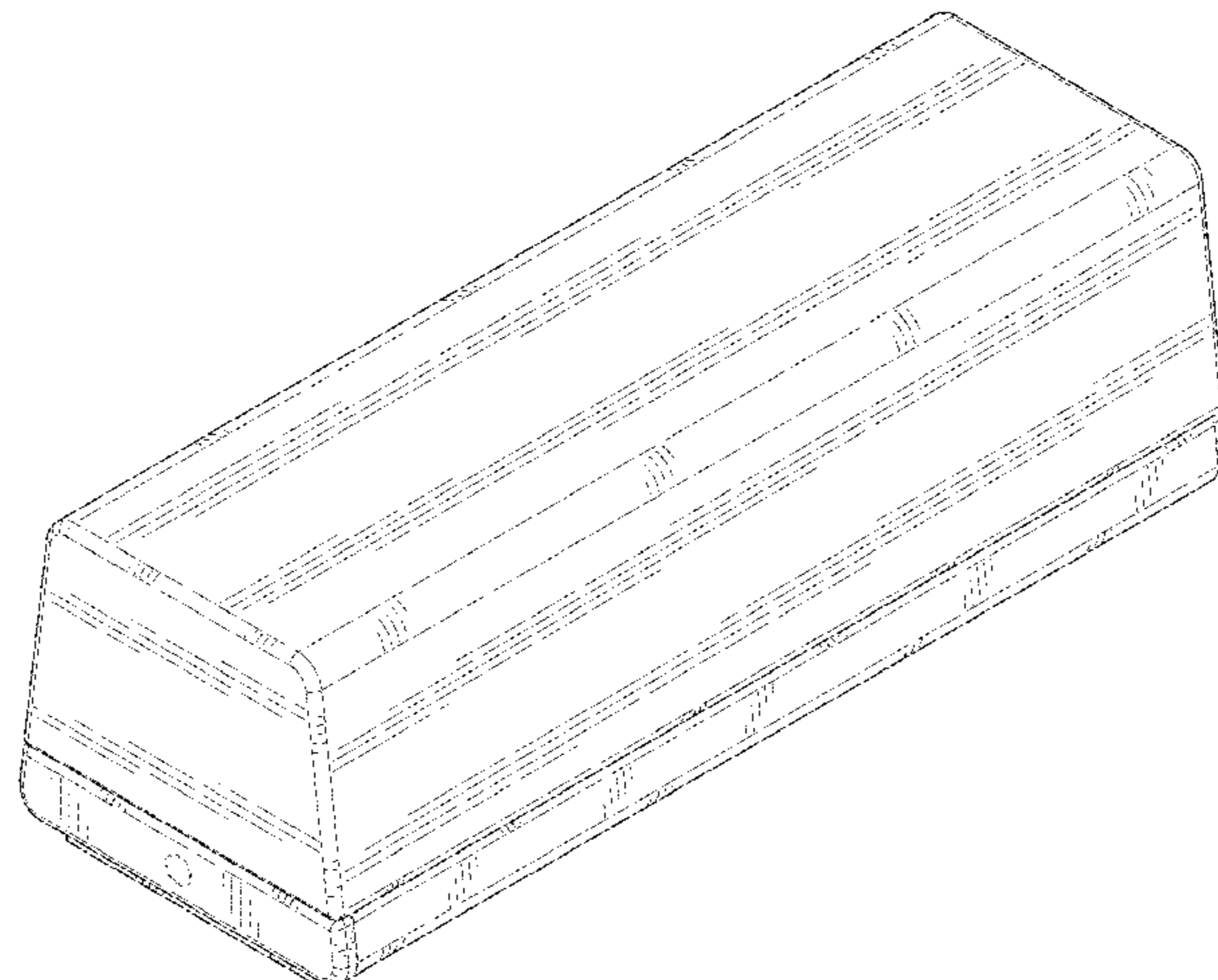
FIG. 23 is a right side view of the furniture item of FIG. 20;

FIG. 24 is a rear view of the furniture item of FIG. 20;

FIG. 25 is a top view of the furniture item of FIG. 20; and

FIG. 26 is a bottom view of the furniture item of FIG. 20.

(Continued)



The broken lines throughout the figures are included for the purpose of illustrating environmental structure and form no part of the claimed design.

1 Claim, 16 Drawing Sheets

(58) Field of Classification Search

USPC ... D6/692, 700, 708, 708.16, 716, 372, 333,
D6/348, 354, 359, 377, 688.26, 378, 381,
D6/663; D23/304

CPC A47C 3/34; A47C 7/506; A47C 9/007;
A47C 13/023; A47C 4/028; A47C 4/02;
A47C 3/04; A47C 3/12

See application file for complete search history.

(56) References Cited

U.S. PATENT DOCUMENTS

D547,967 S *	8/2007	Oldham	D6/381
D550,974 S *	9/2007	Thornbury	D6/361
D566,416 S *	4/2008	Mourgue	D6/381
D566,417 S *	4/2008	Mourgue	D6/381
D566,980 S *	4/2008	Mourgue	D6/381

D576,820 S *	9/2008	Priestman	D12/345
D578,318 S *	10/2008	Laflamme	D6/381
D587,918 S *	3/2009	Bergman	D6/381
D605,868 S *	12/2009	Holbrook	D6/378
D610,365 S *	2/2010	Young-il	D6/375
D613,958 S *	4/2010	Holbrook	D6/378
D619,387 S *	7/2010	Davenport	D6/663
D643,638 S *	8/2011	Weichselbaumer	D6/361
D708,451 S *	7/2014	Gashcy	D6/378
D727,650 S *	4/2015	Lee	D6/378
D749,868 S *	2/2016	Nikolajsen	D6/378
D817,653 S *	5/2018	Lee	D6/361
D821,763 S *	7/2018	Woods	D6/334
D830,715 S *	10/2018	Siebert	D6/378
D831,761 S *	10/2018	Stricklin	D21/688
D838,129 S *	1/2019	Castaneda Roldan	D6/707
D894,623 S *	9/2020	Kimmel	D6/357
D897,700 S *	10/2020	Kulik	D6/335
D908,385 S *	1/2021	Hahne	D6/377
D910,331 S *	2/2021	Cooper	D6/381
D919,999 S *	5/2021	Velez	D6/381

OTHER PUBLICATIONS

Examination Report, for Canadian Patent Application No. 193238, dated Aug. 11, 2021, 2 pages.

* cited by examiner

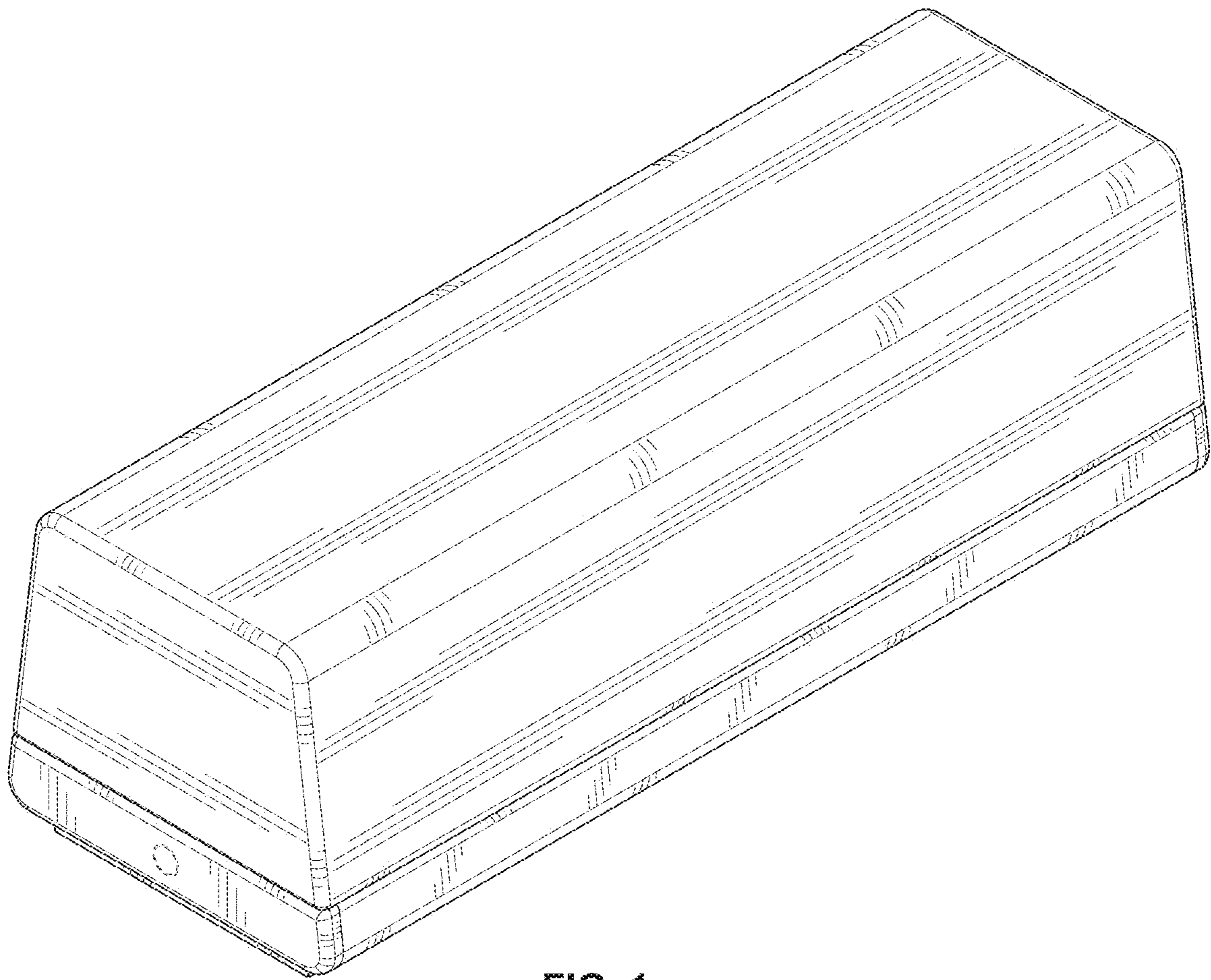


FIG. 1

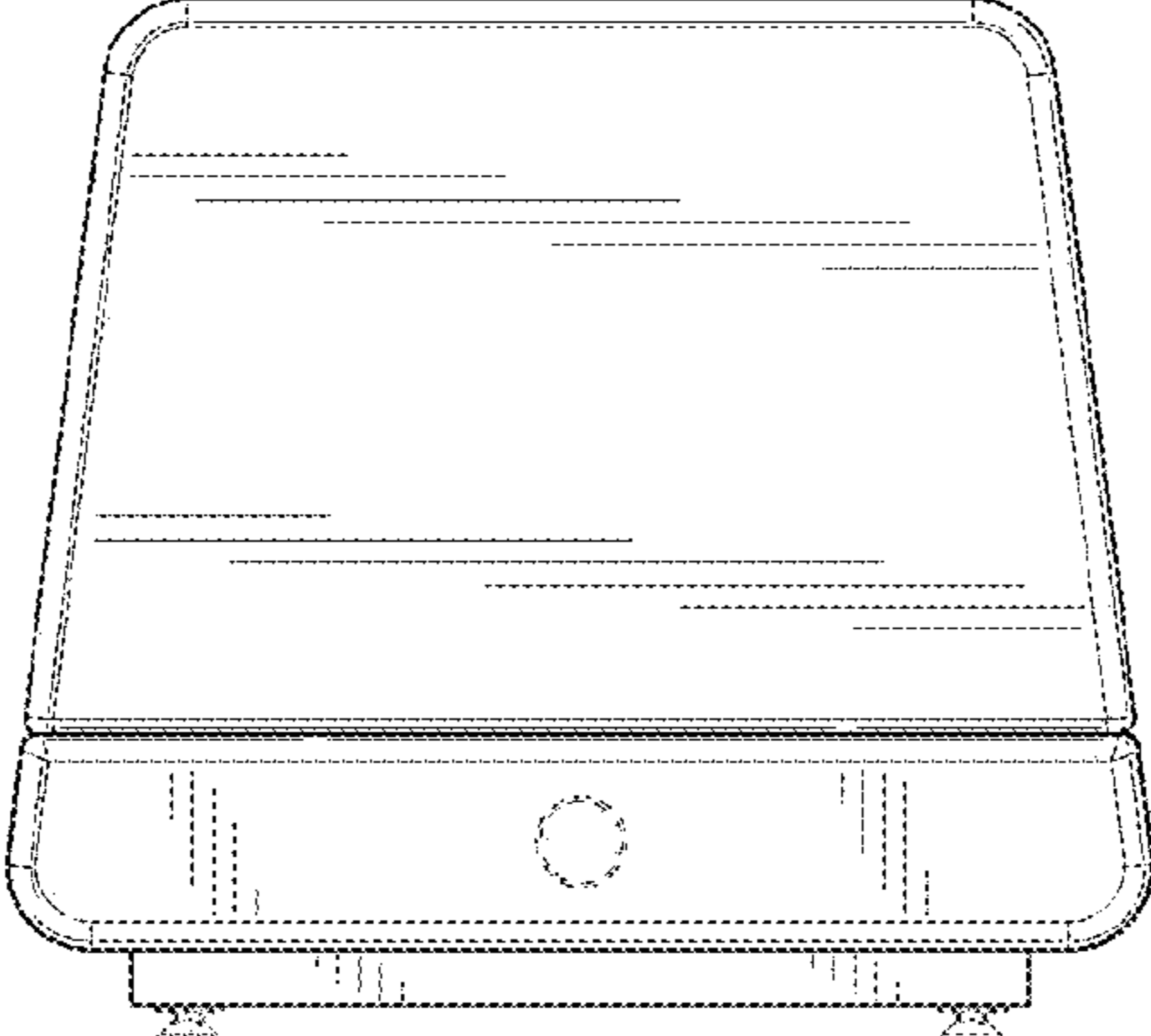


FIG. 2

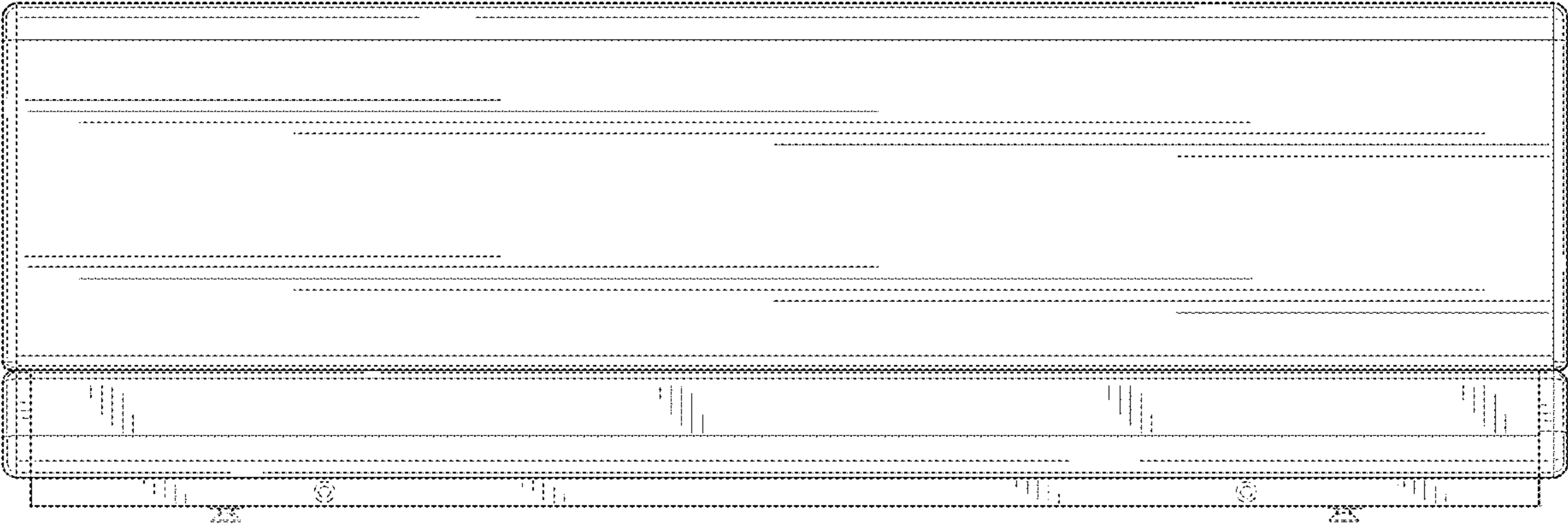


FIG. 3

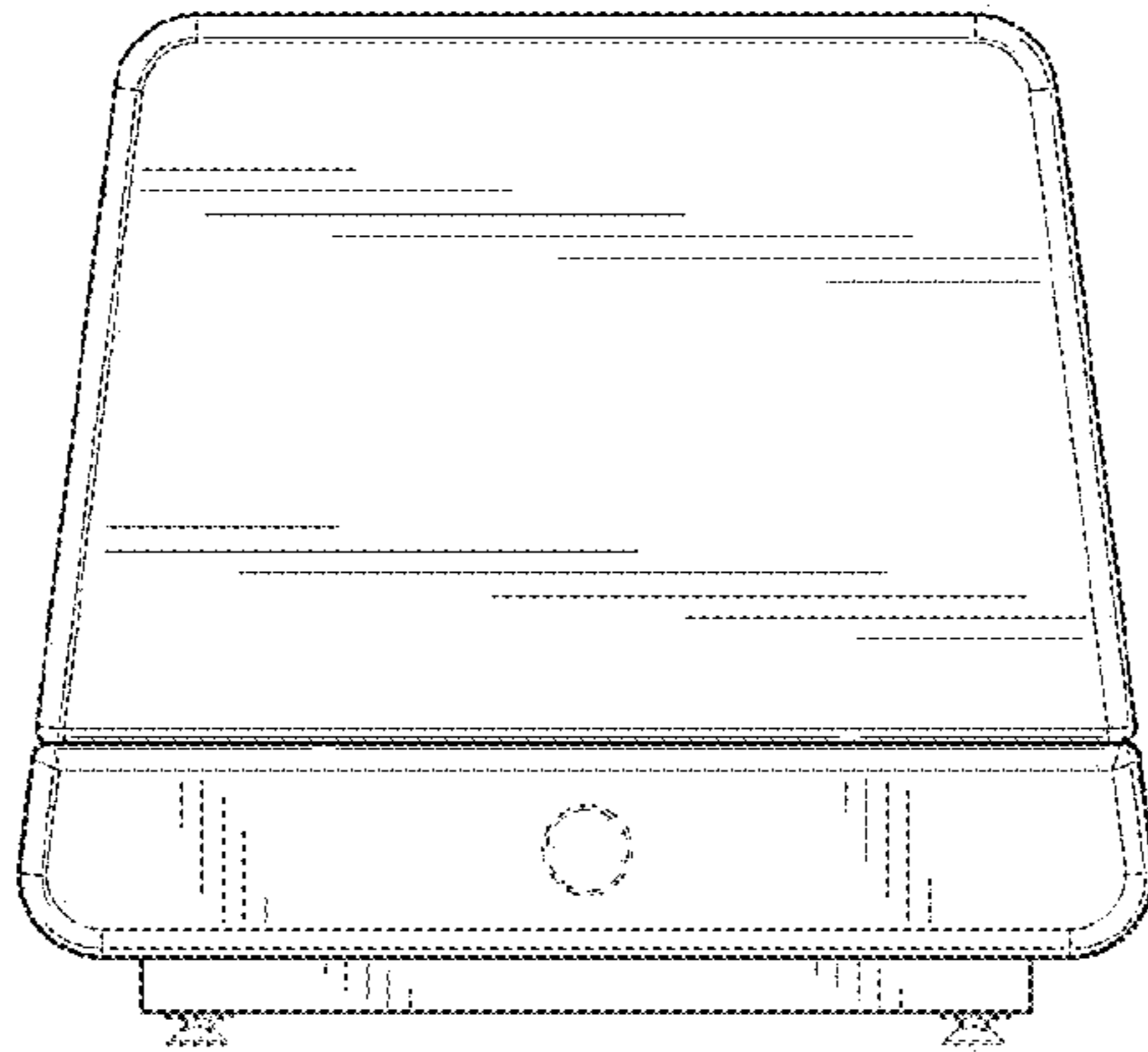


FIG. 4

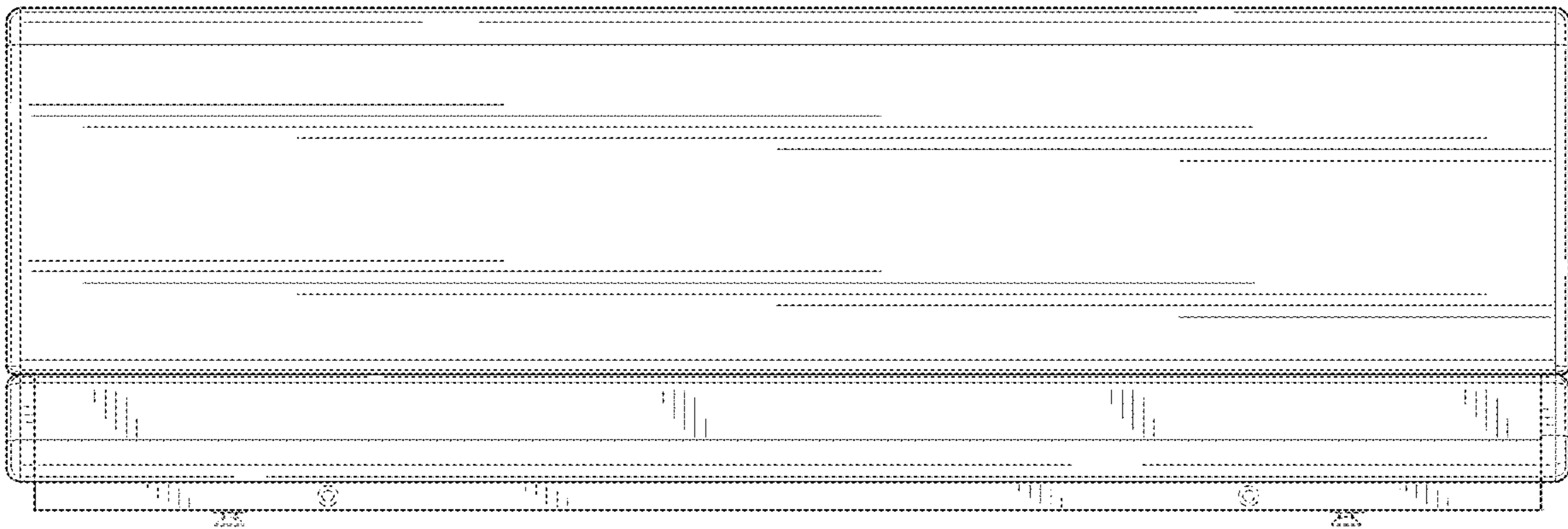


FIG. 5

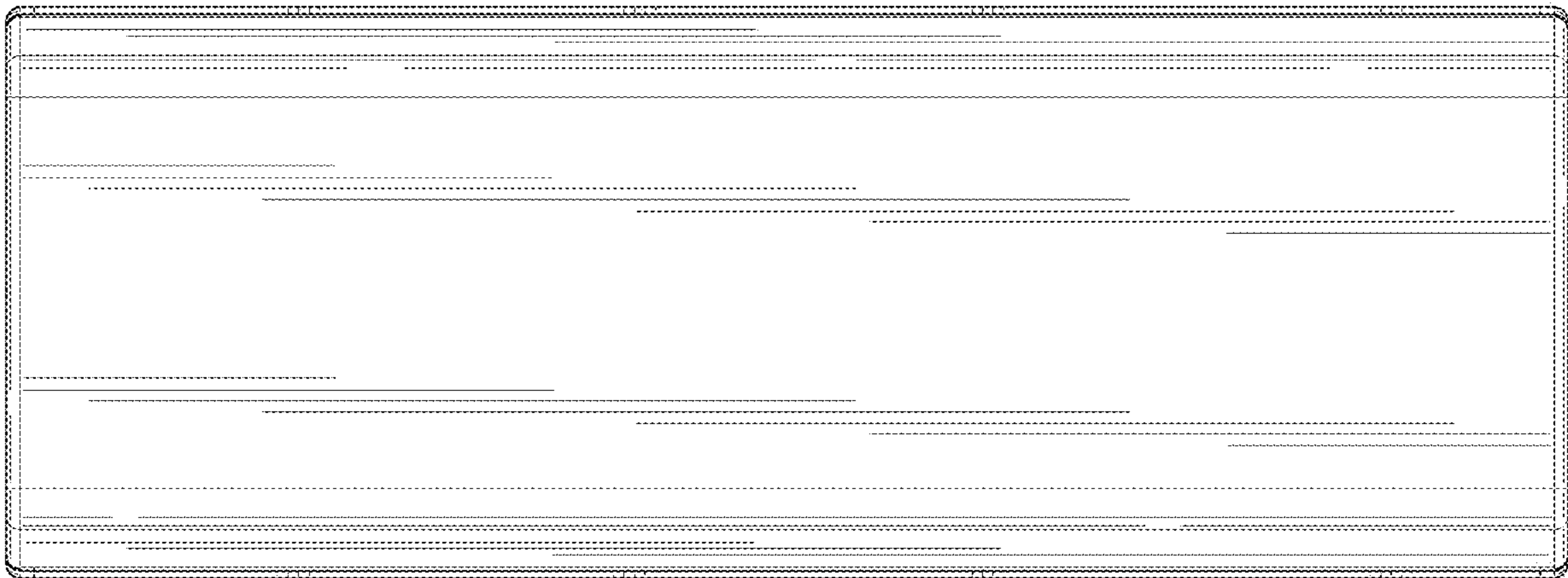


FIG. 6

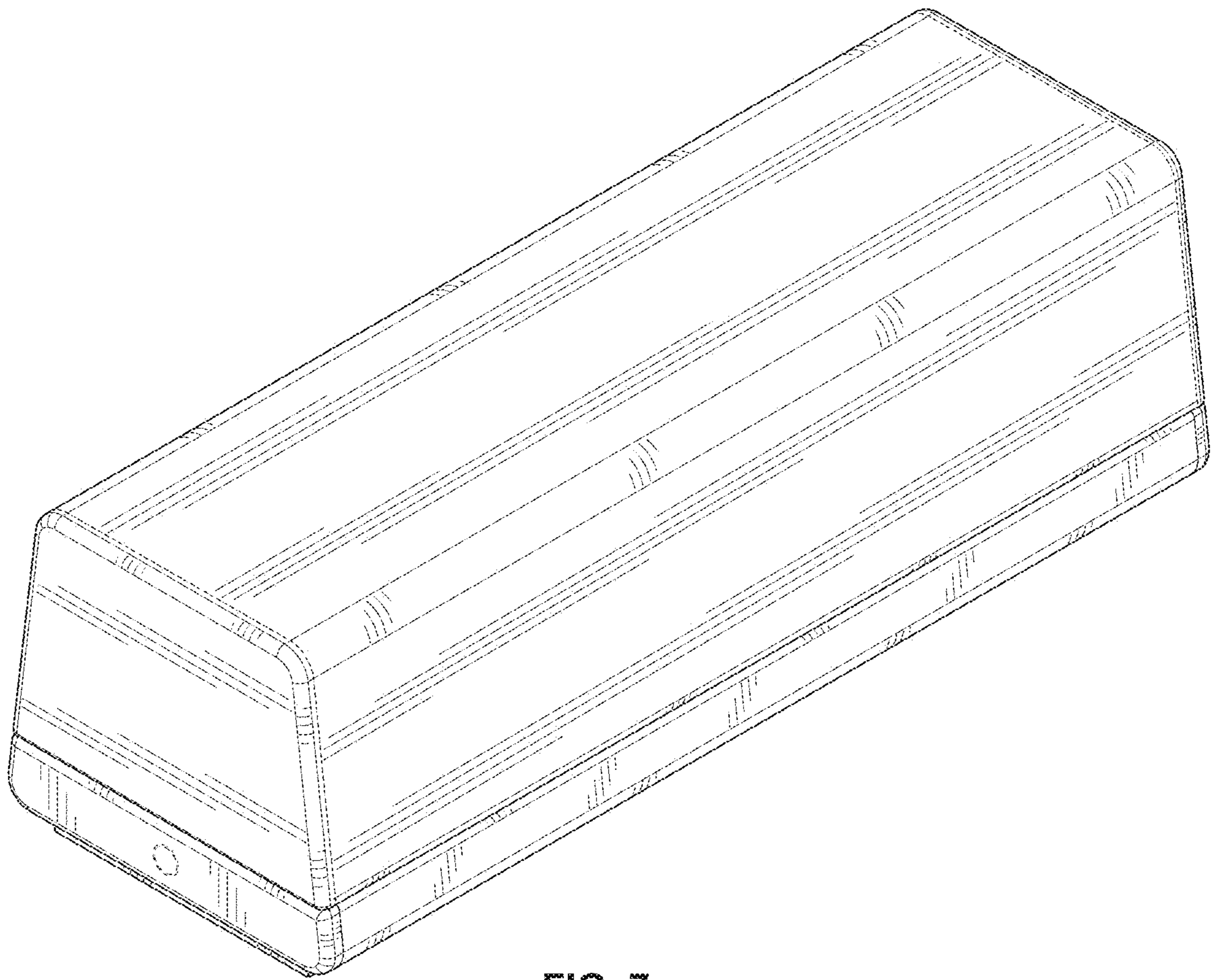


FIG. 7

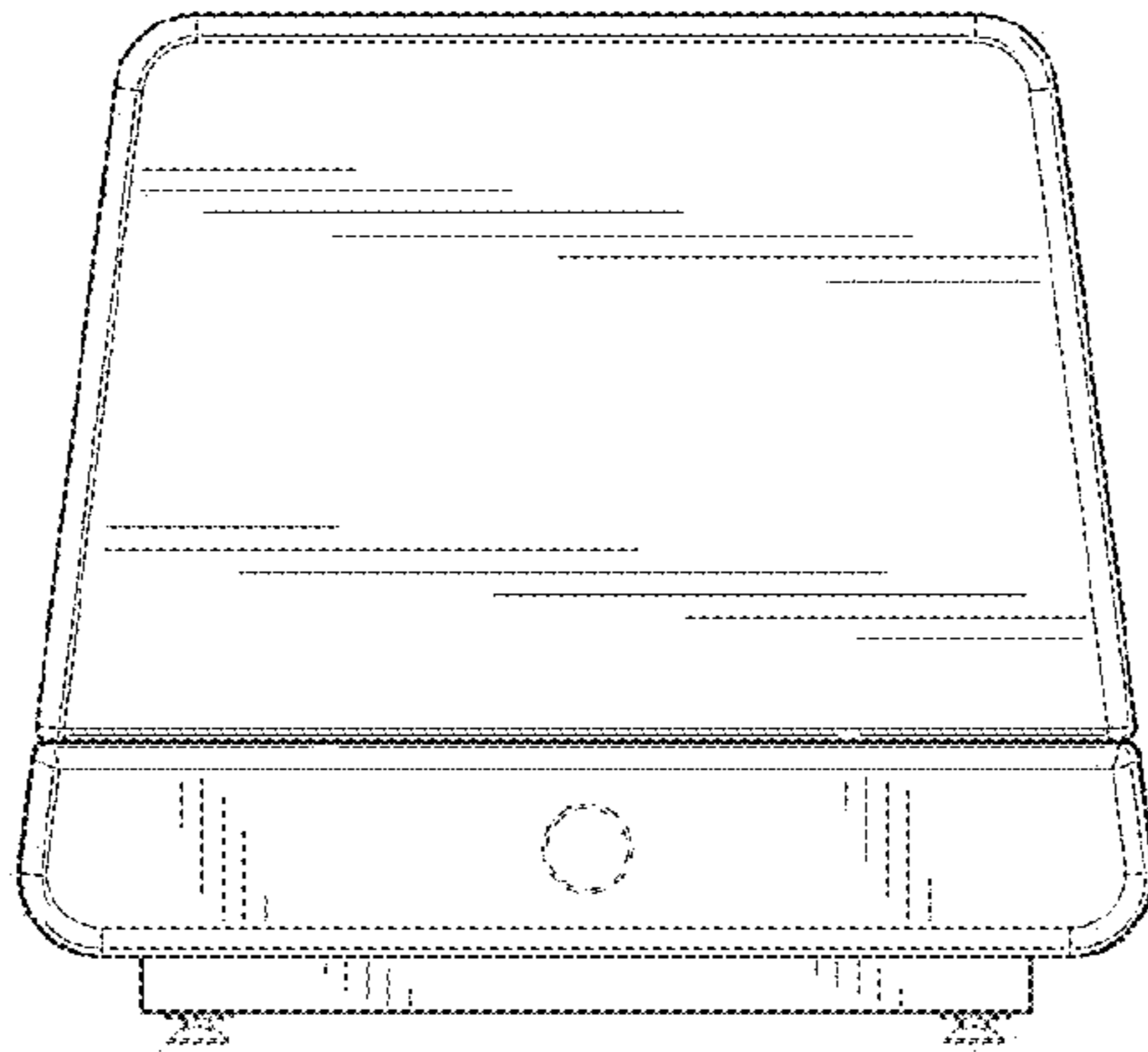


FIG. 8

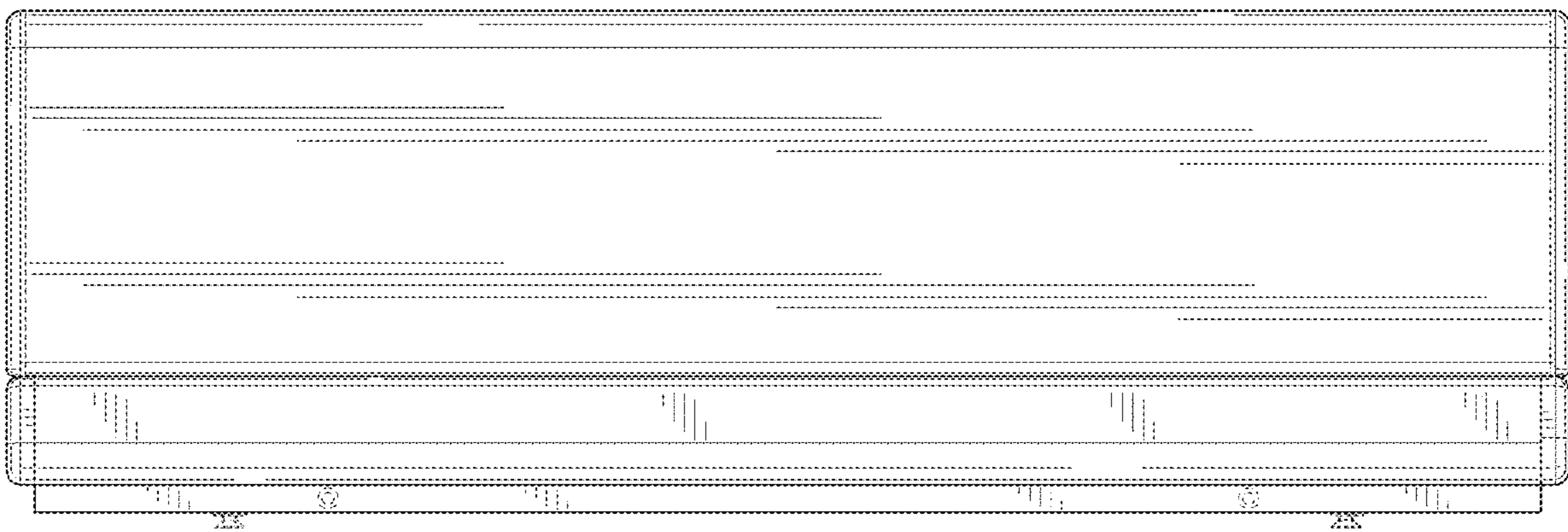


FIG. 9

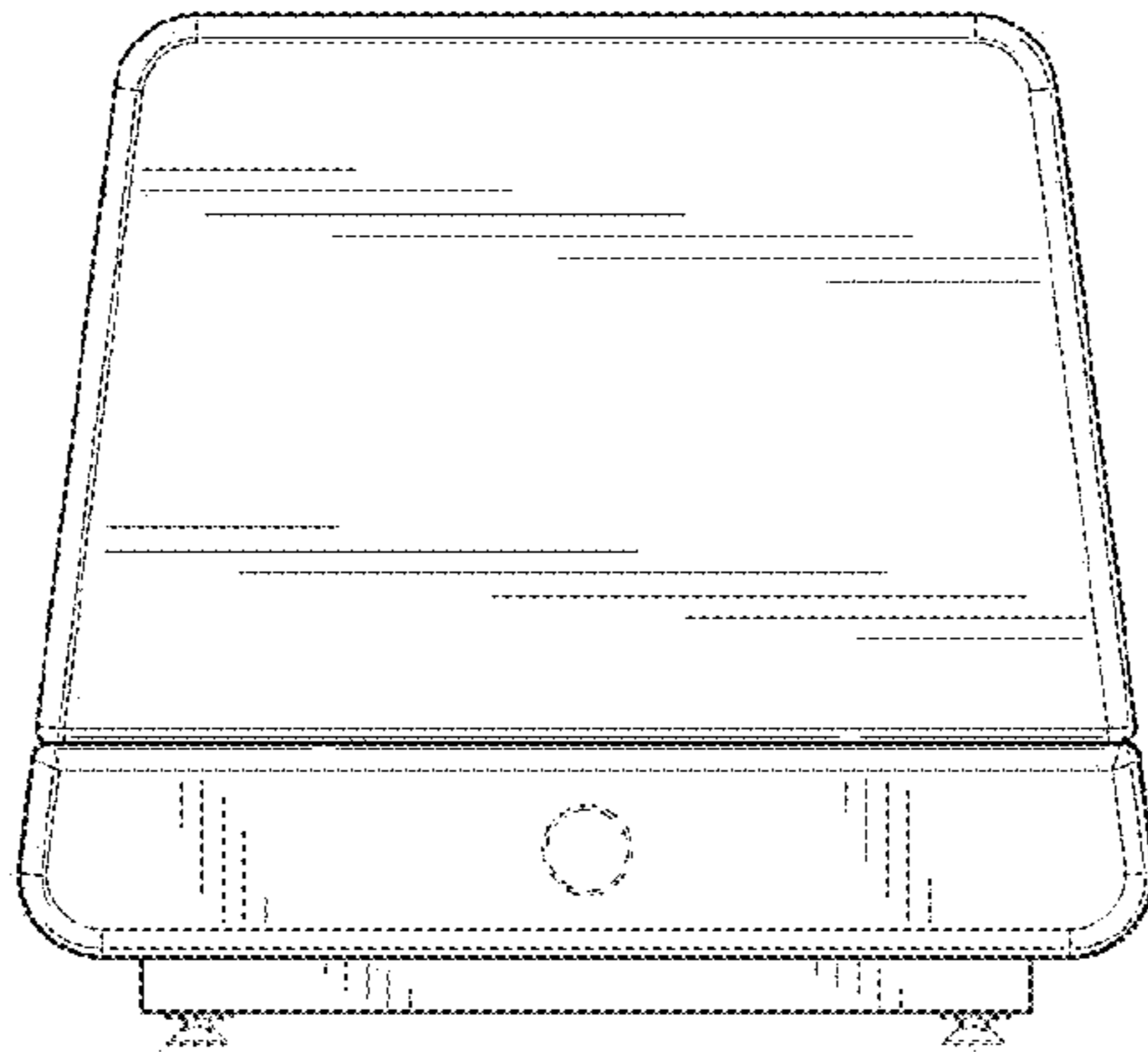


FIG. 10

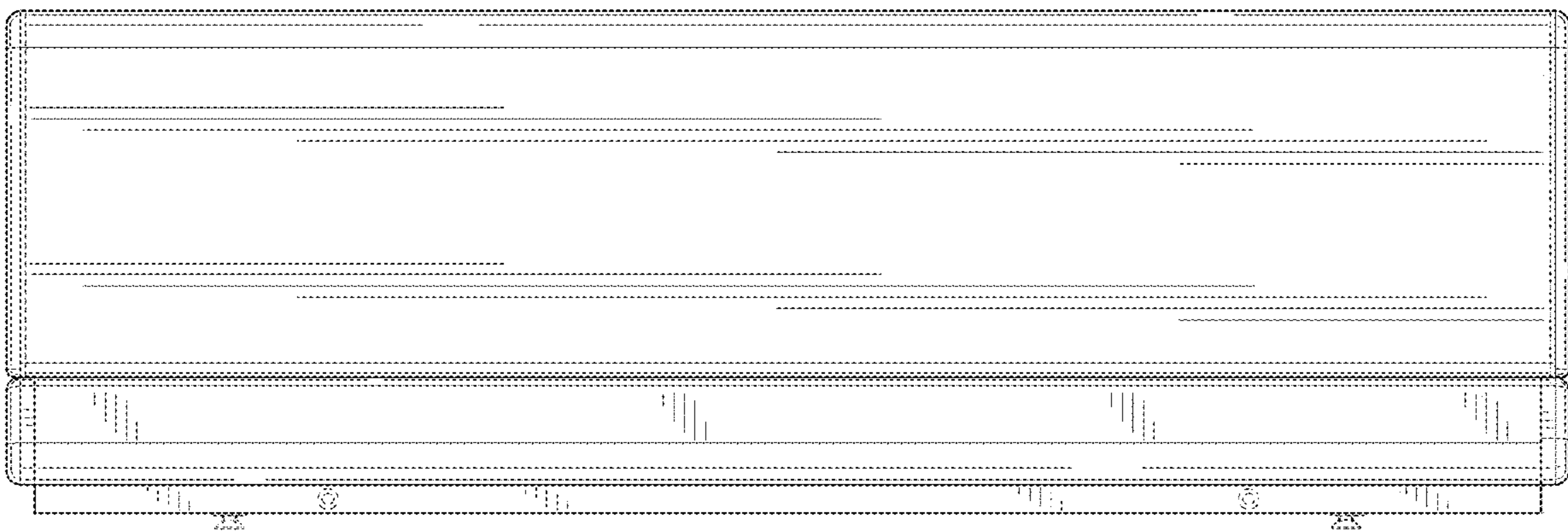


FIG. 11

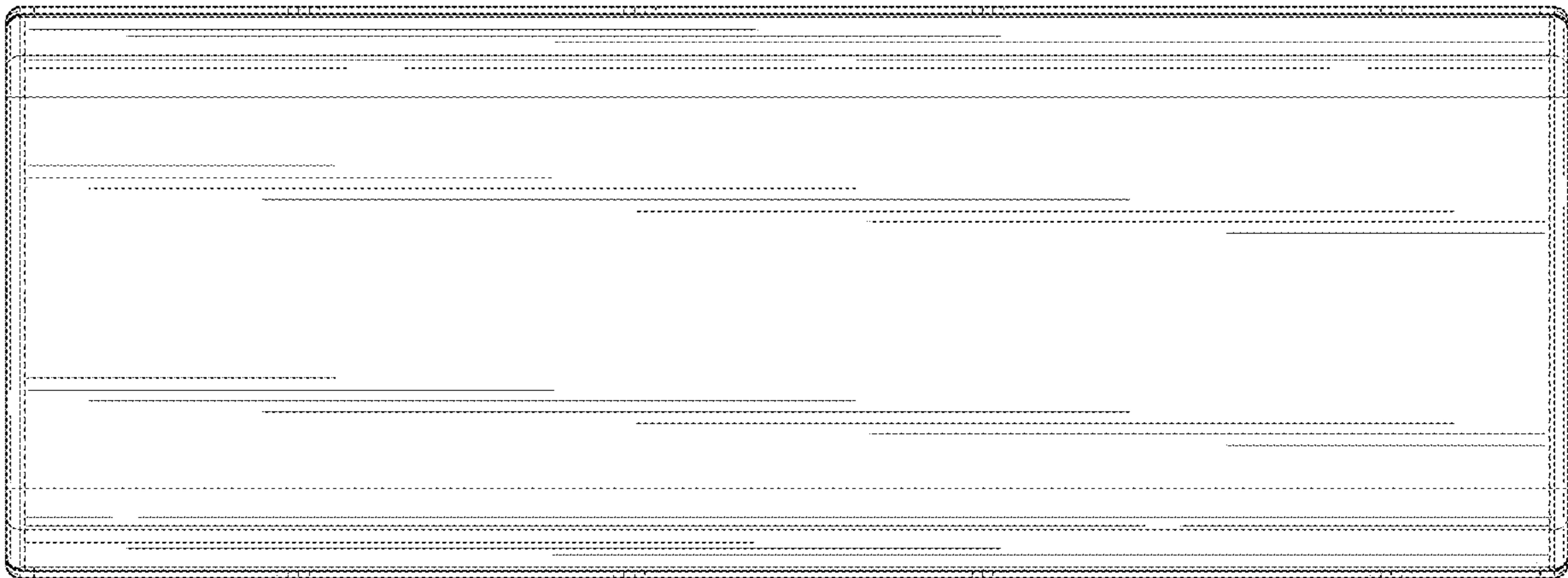


FIG. 12

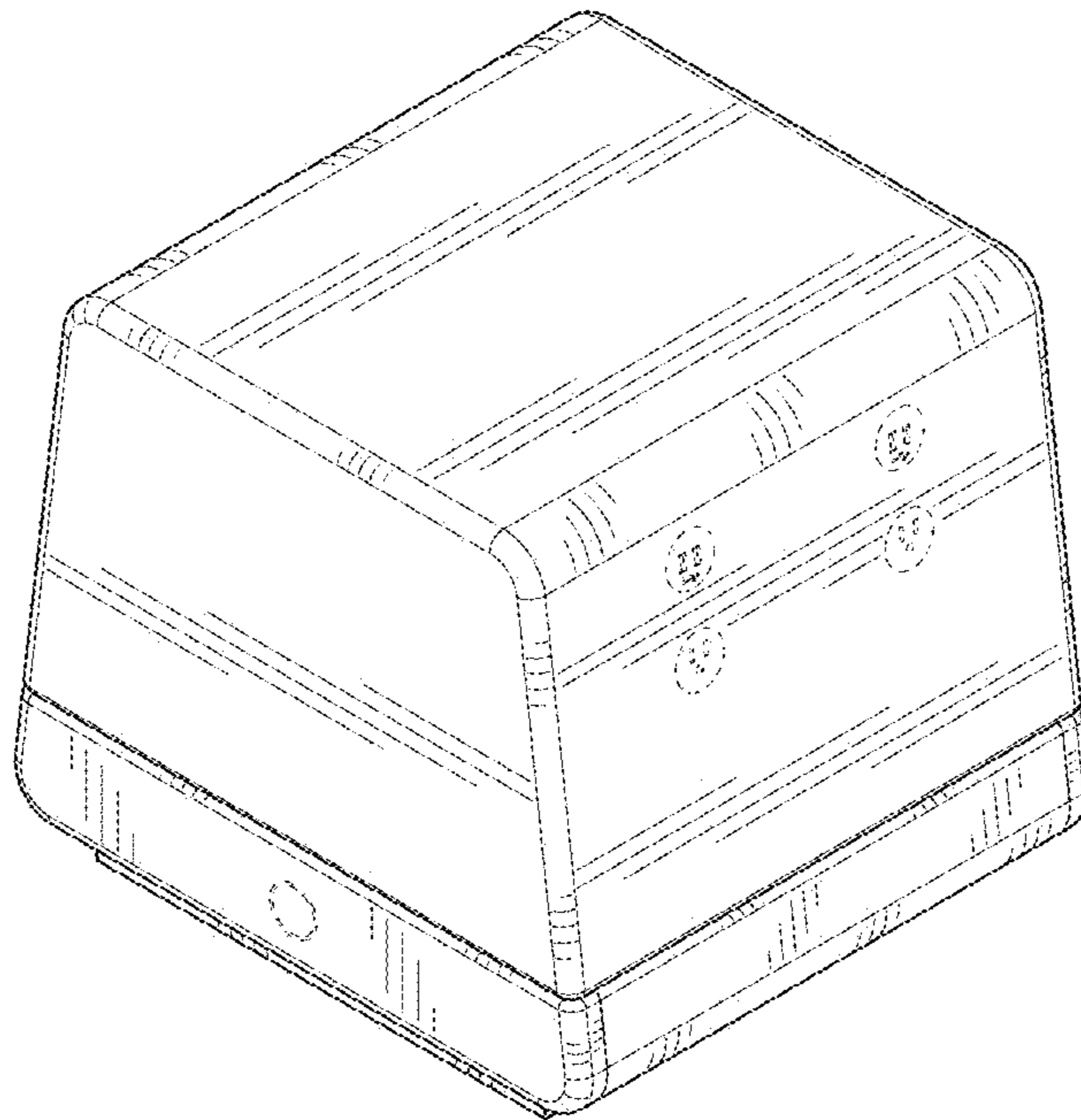


FIG. 13

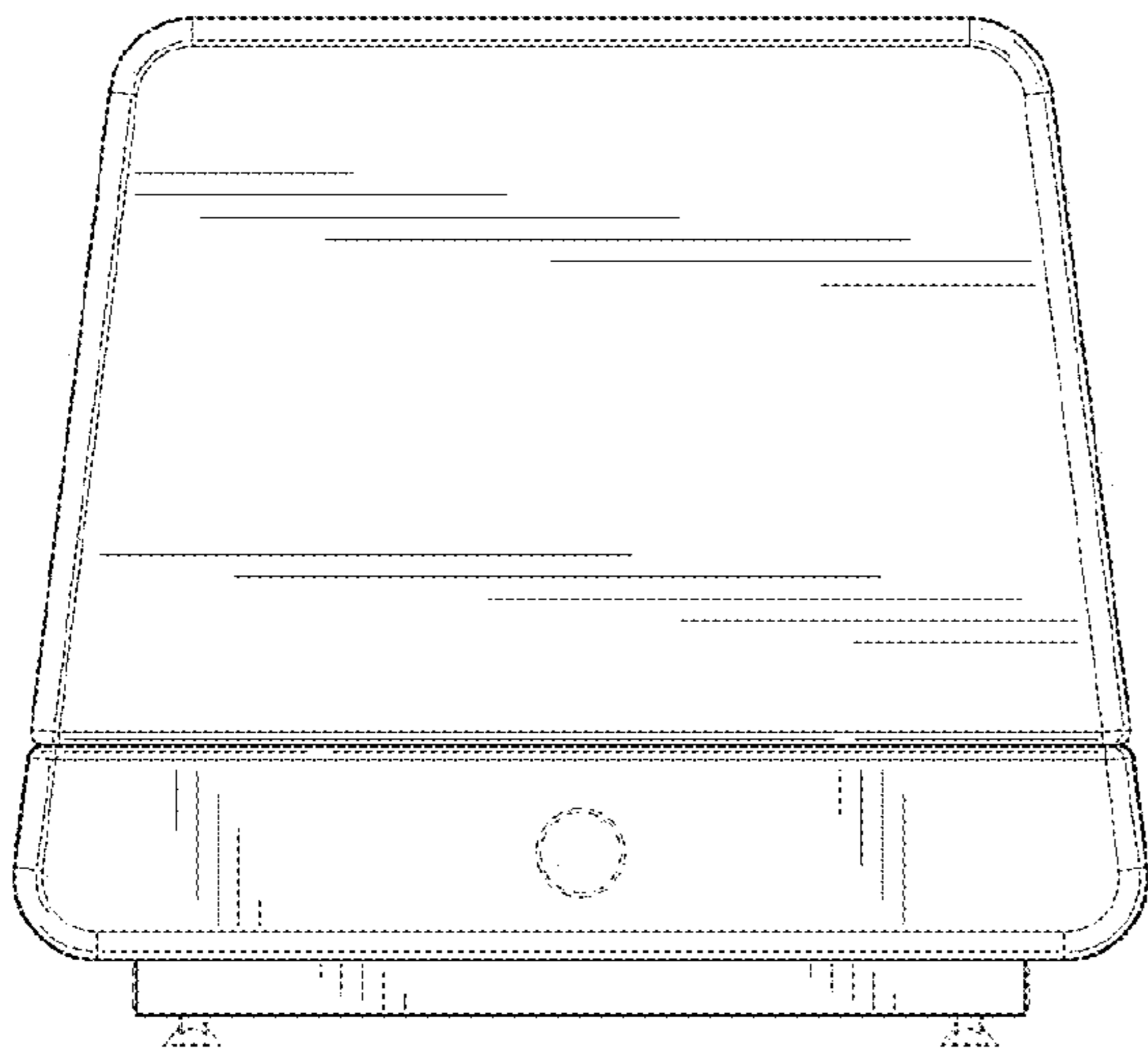


FIG. 14

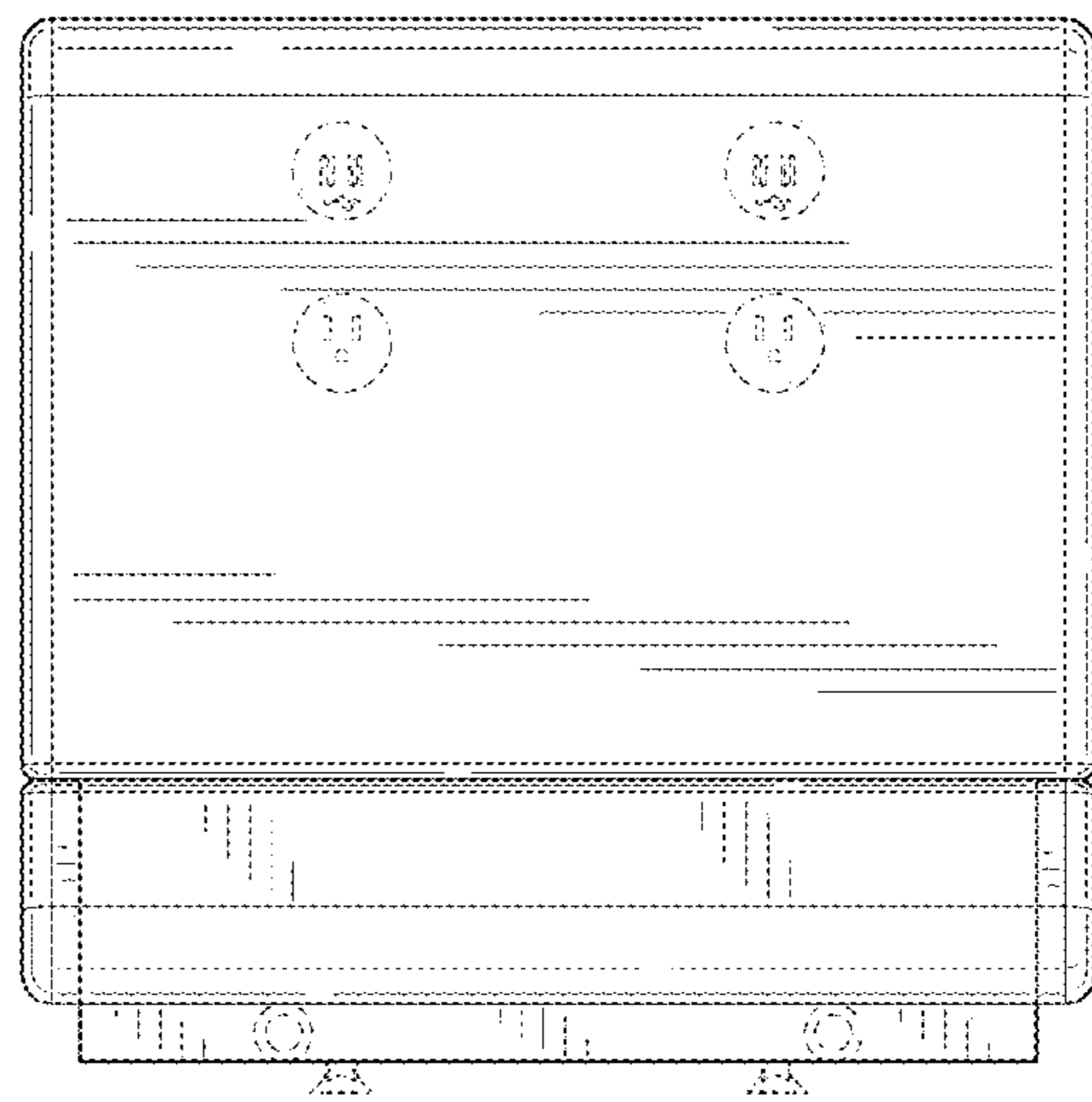


FIG. 15

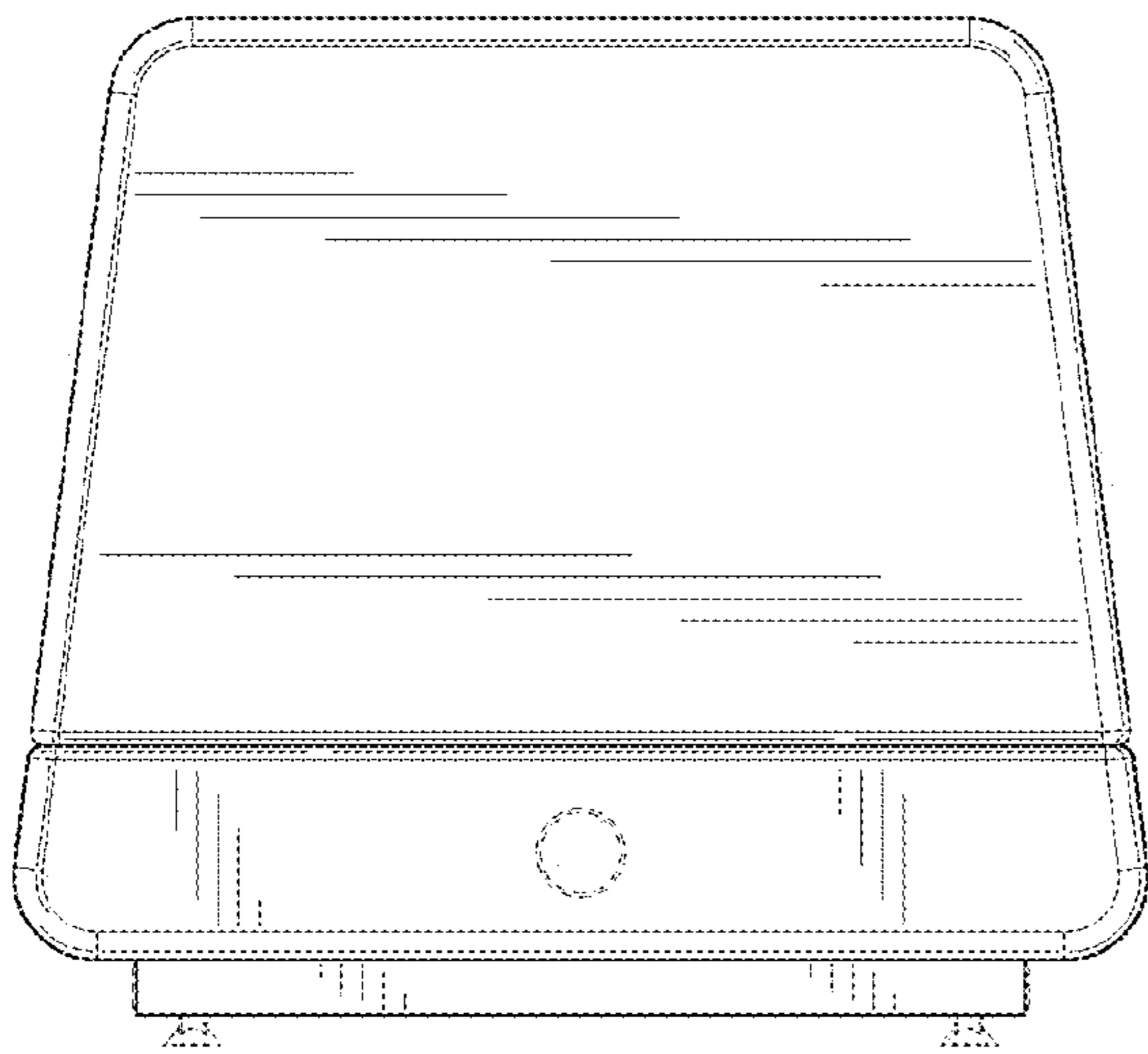


FIG. 16

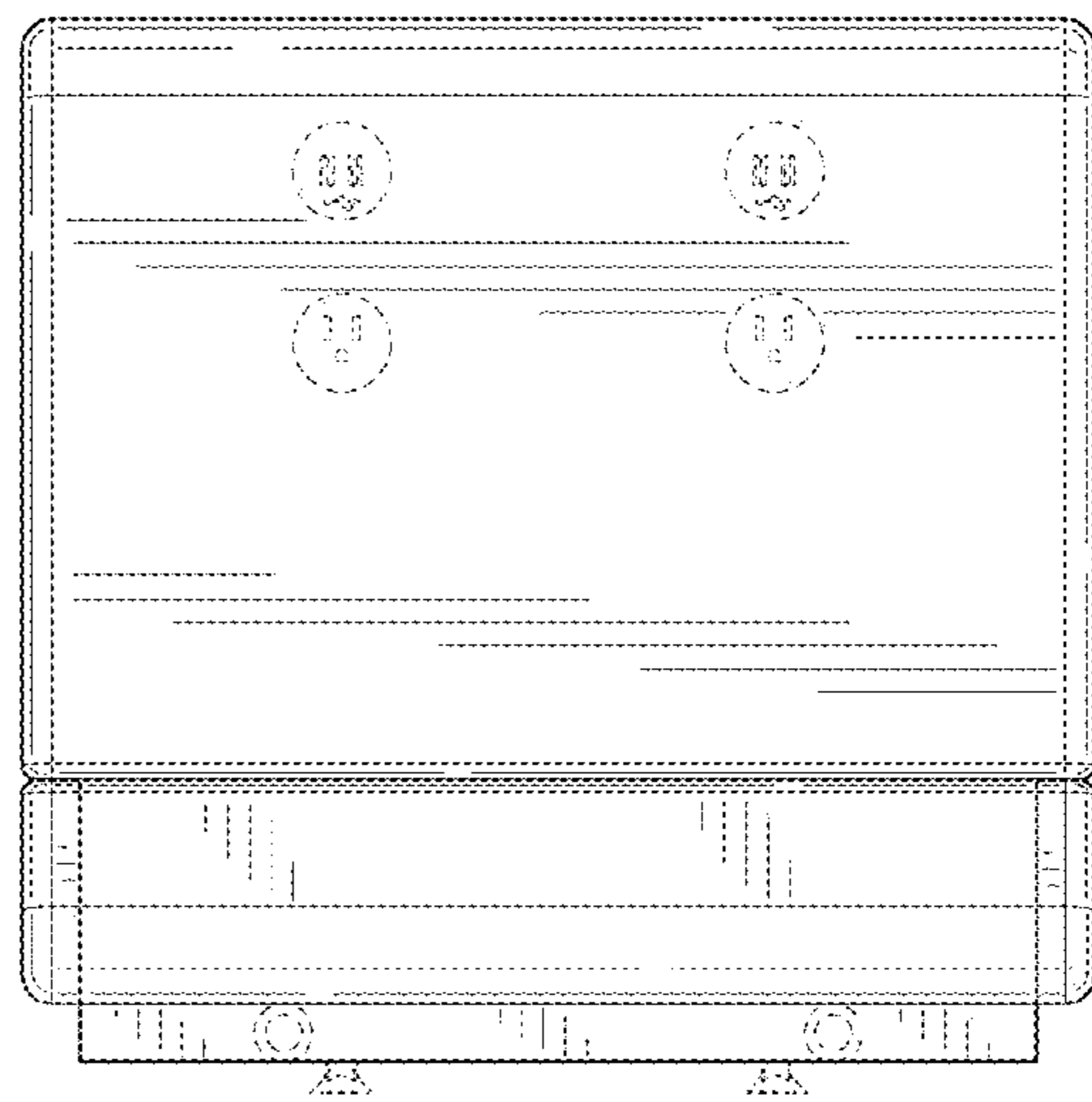


FIG. 17

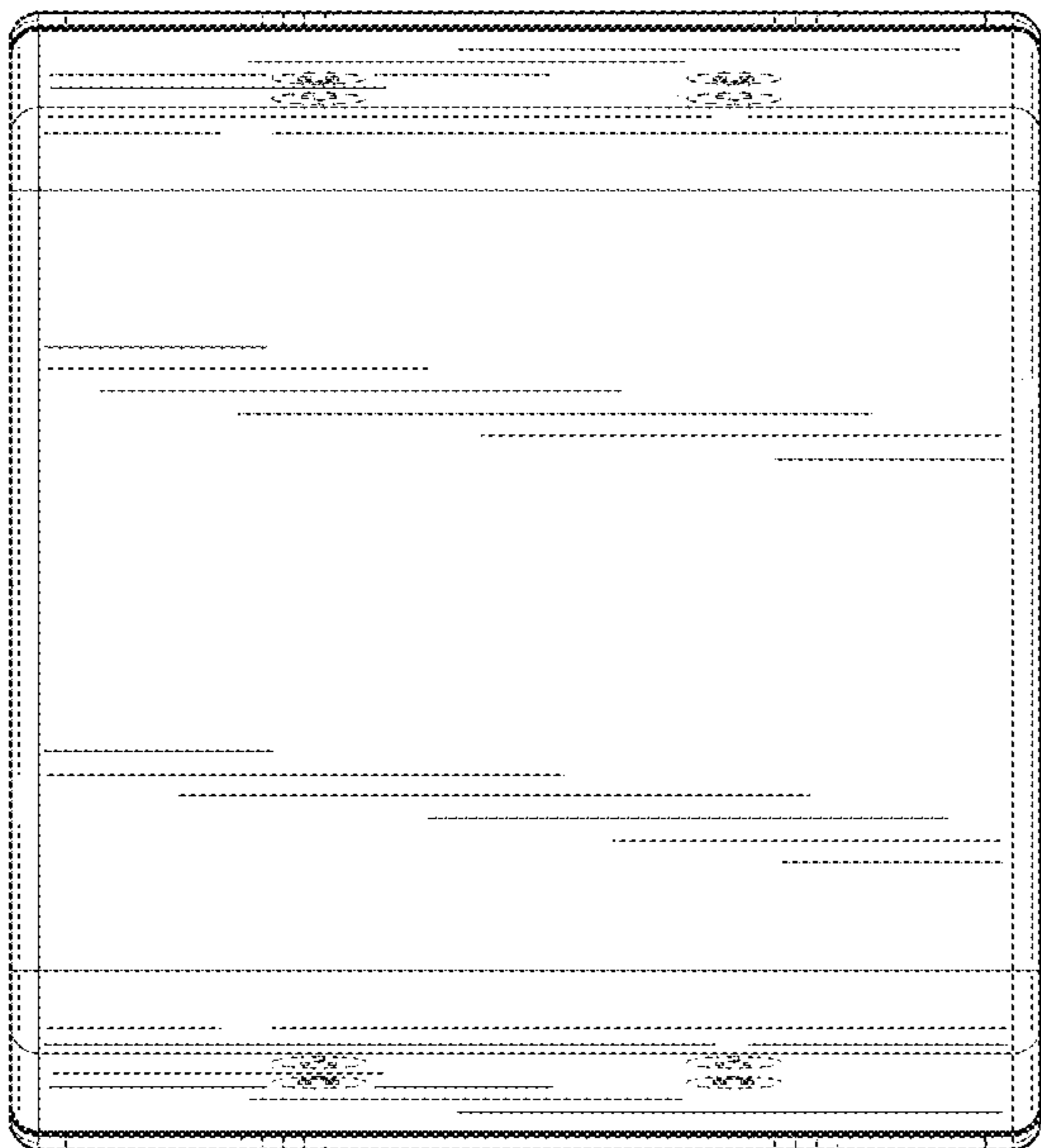


FIG. 18

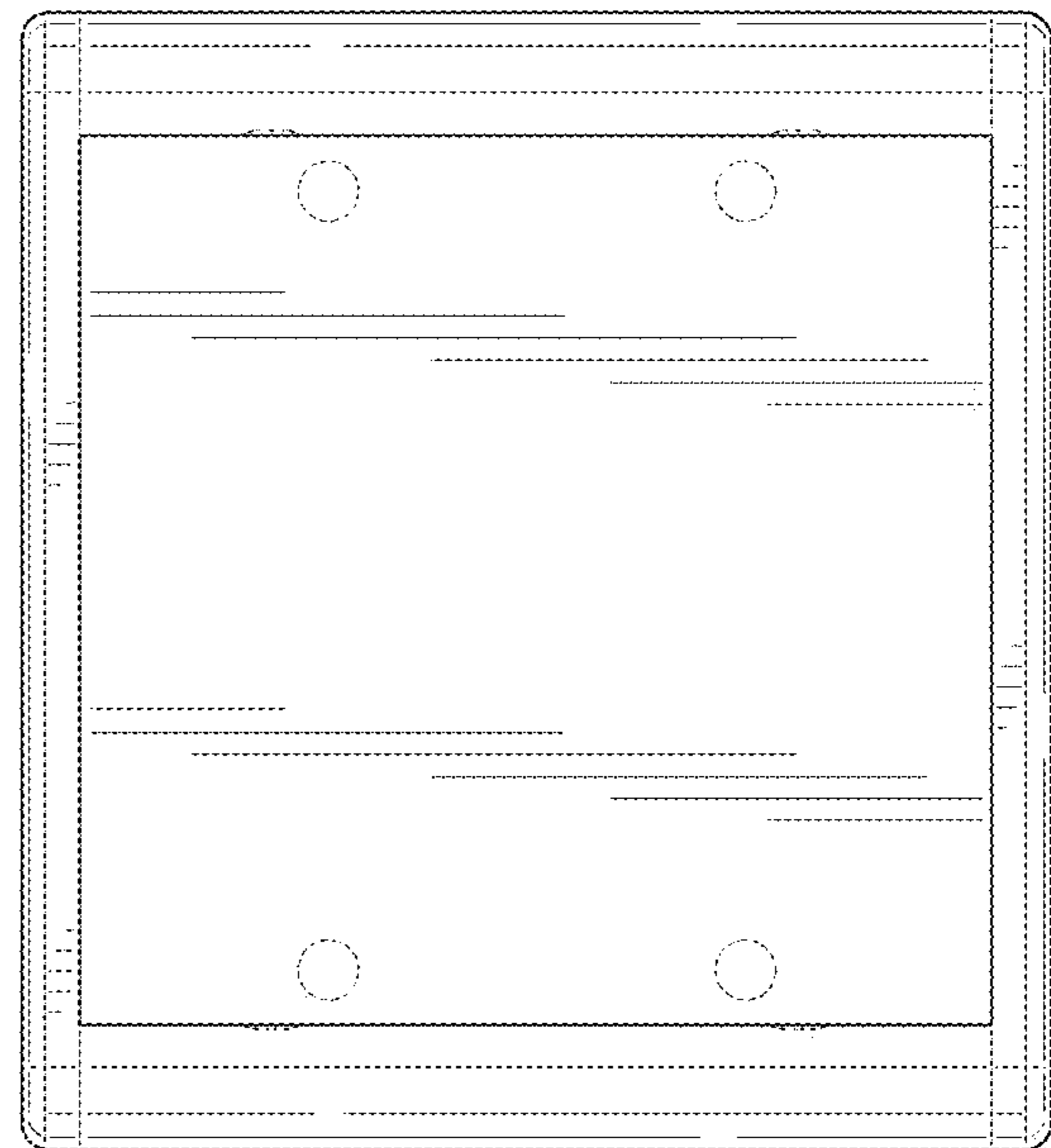


FIG. 19

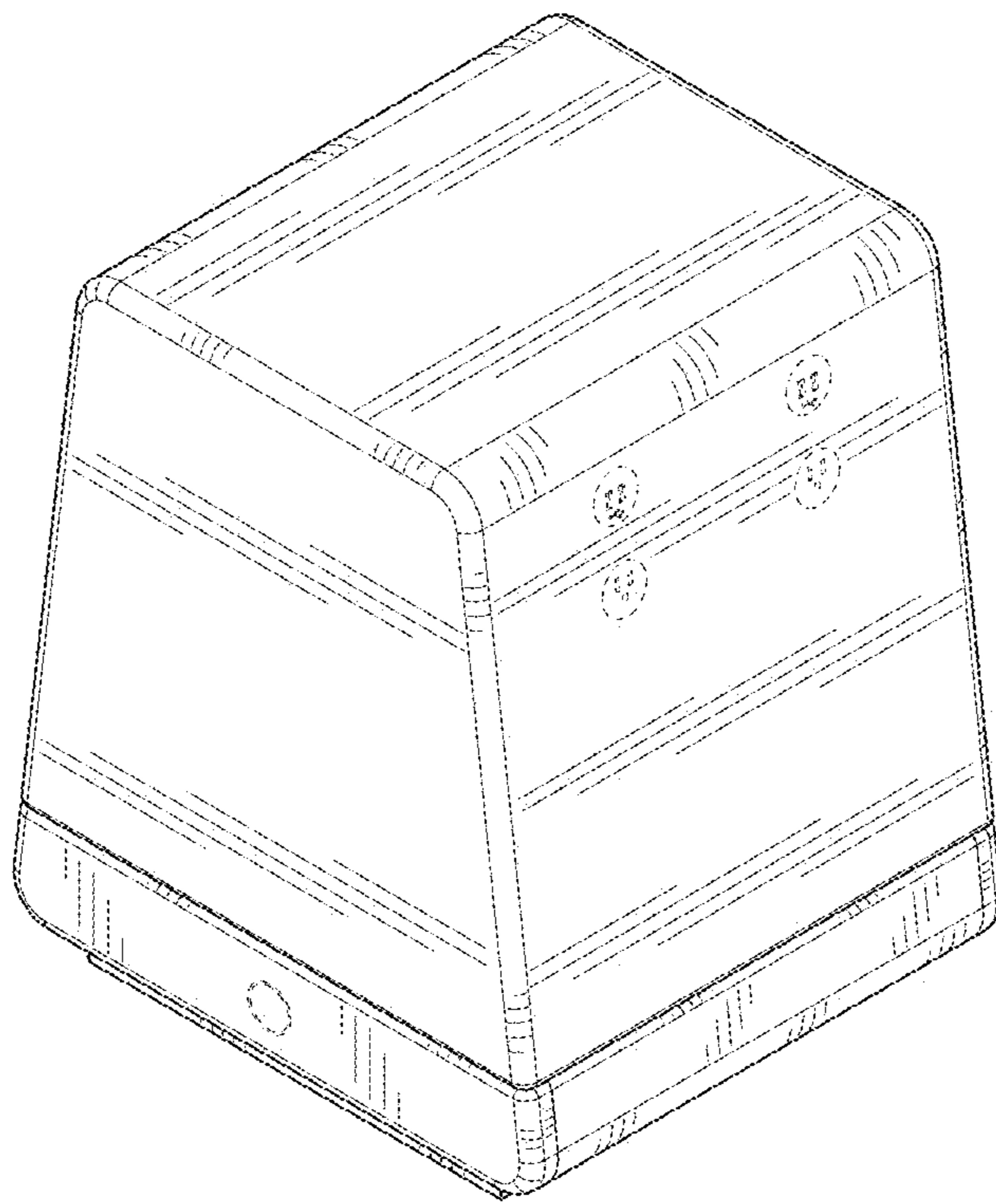


FIG. 20

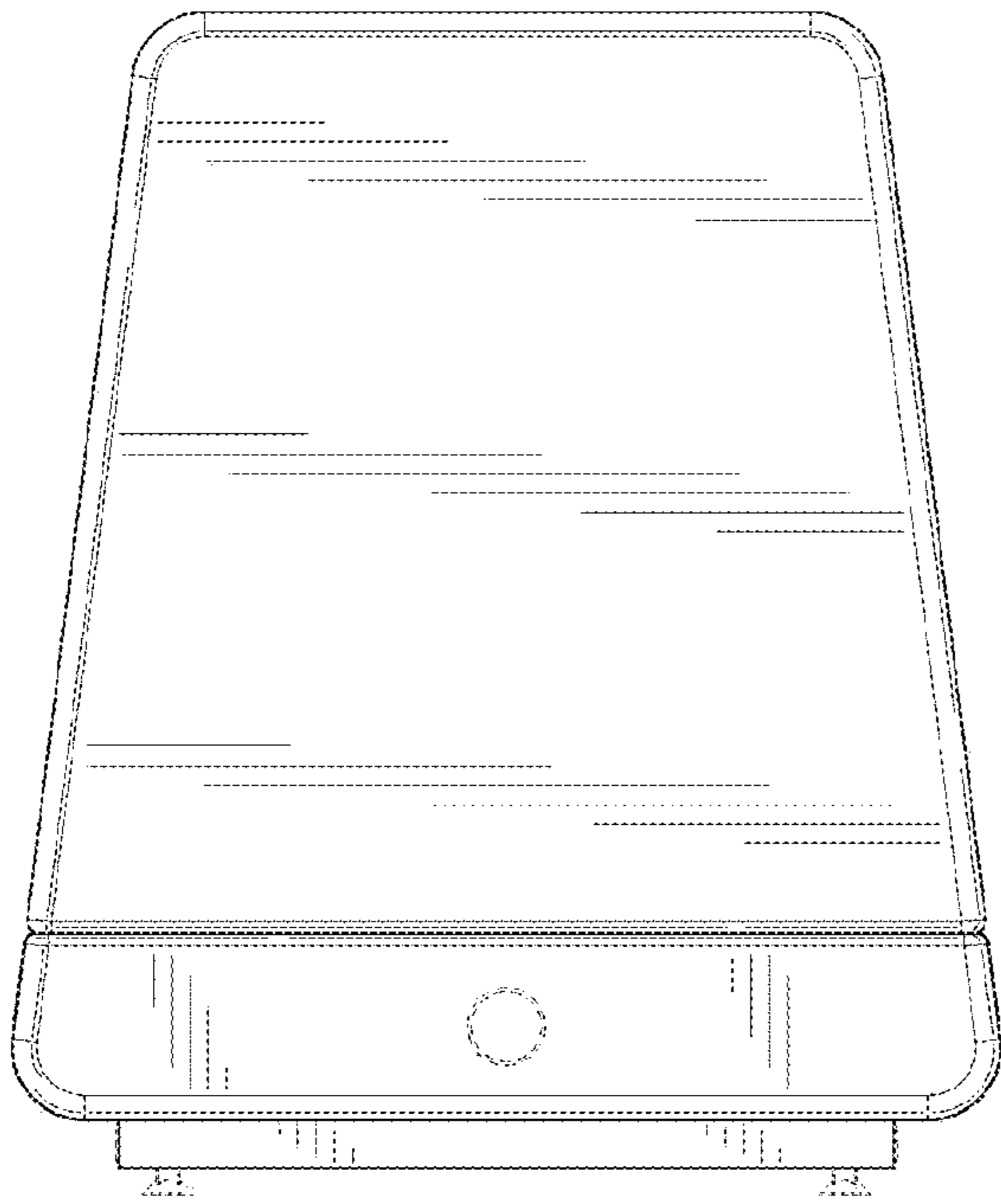


FIG. 21

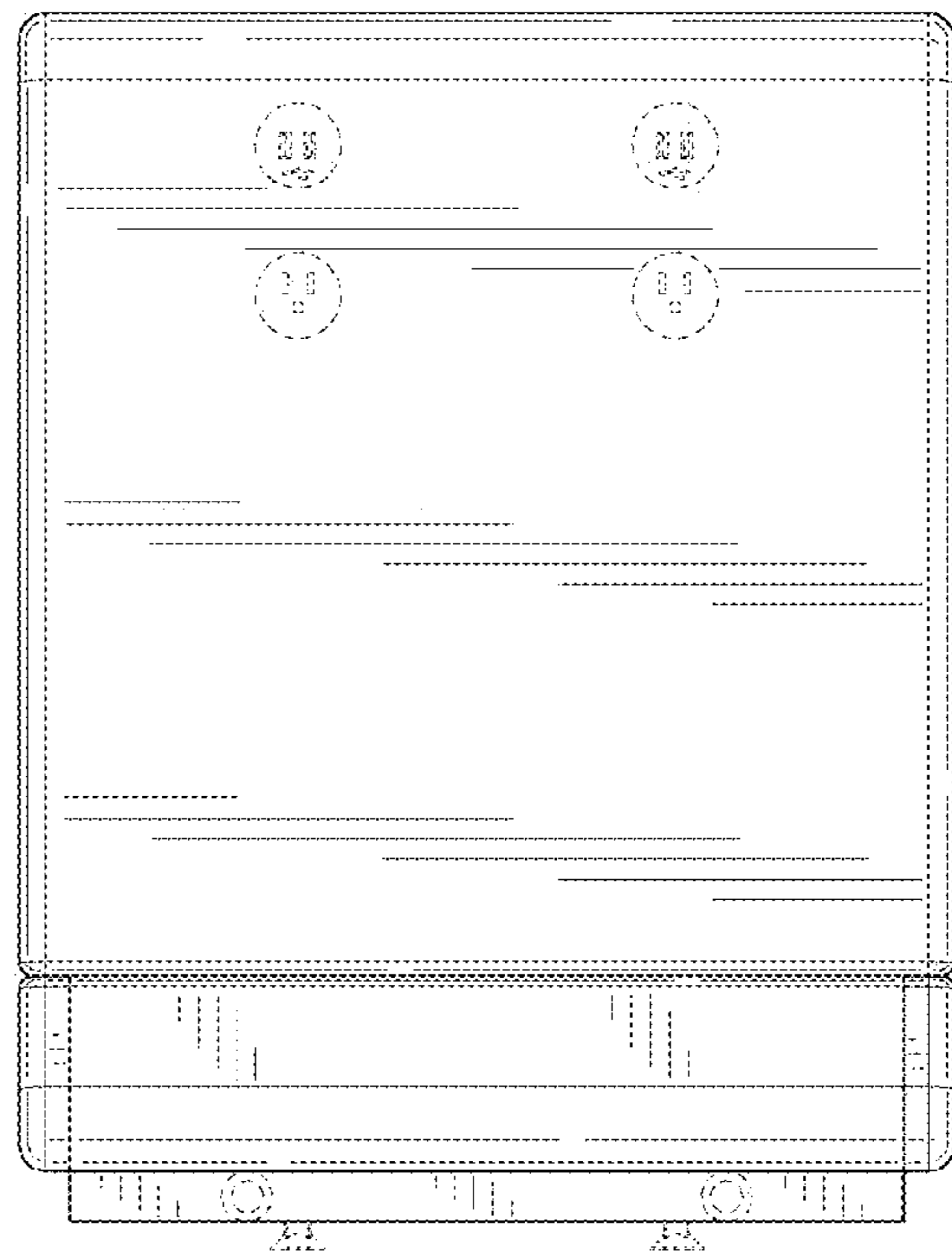


FIG. 22

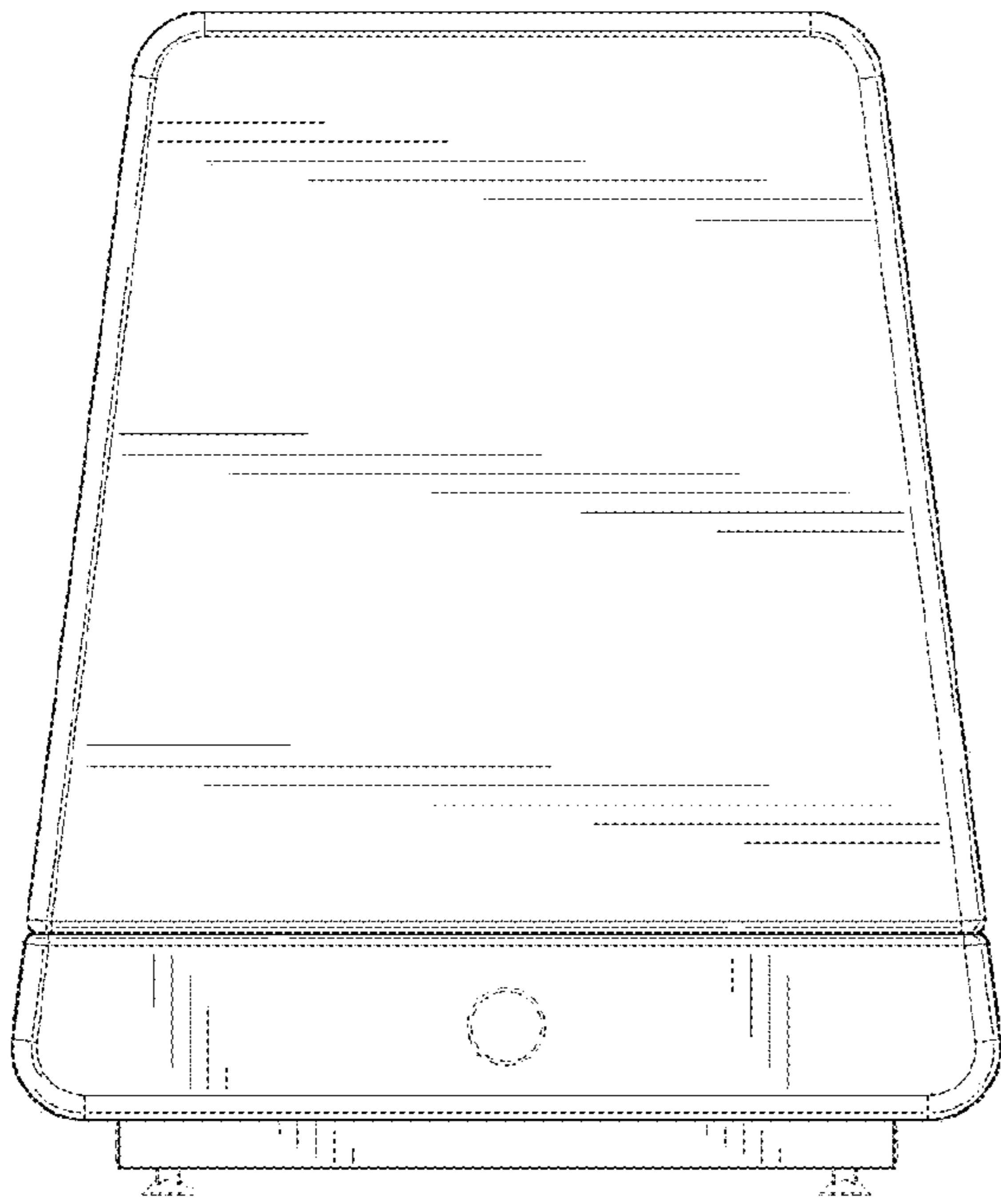


FIG. 23

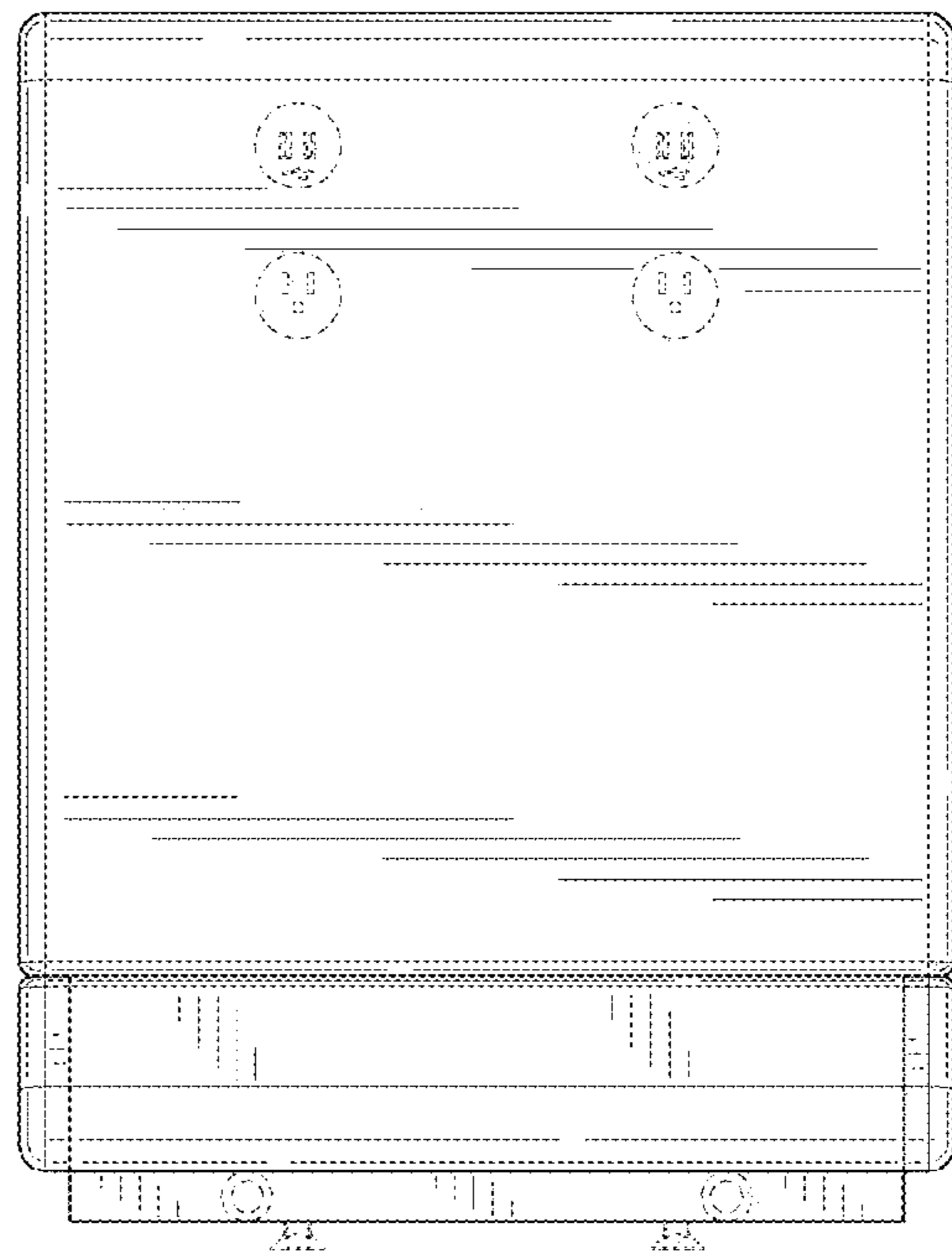


FIG. 24

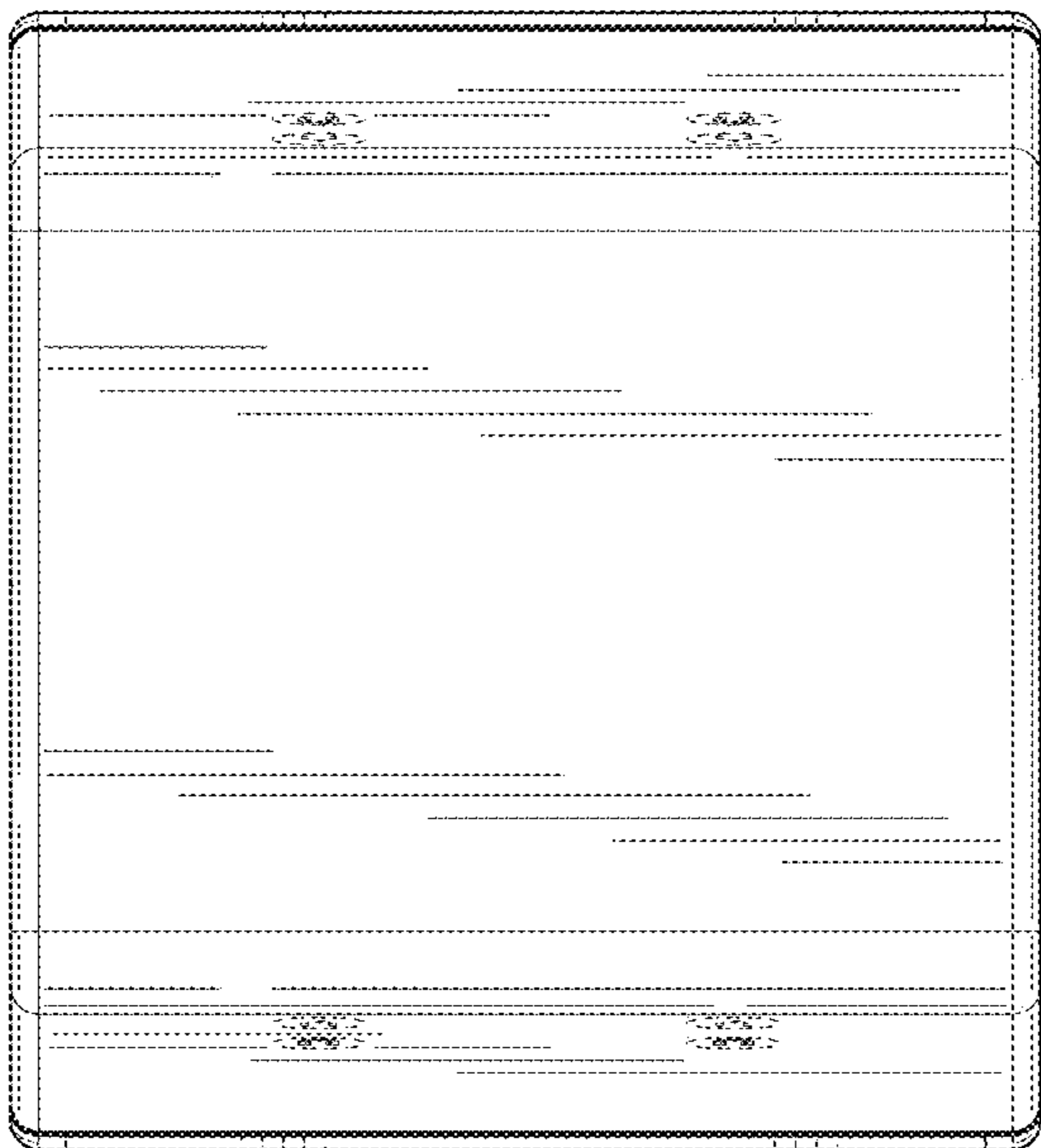


FIG. 25

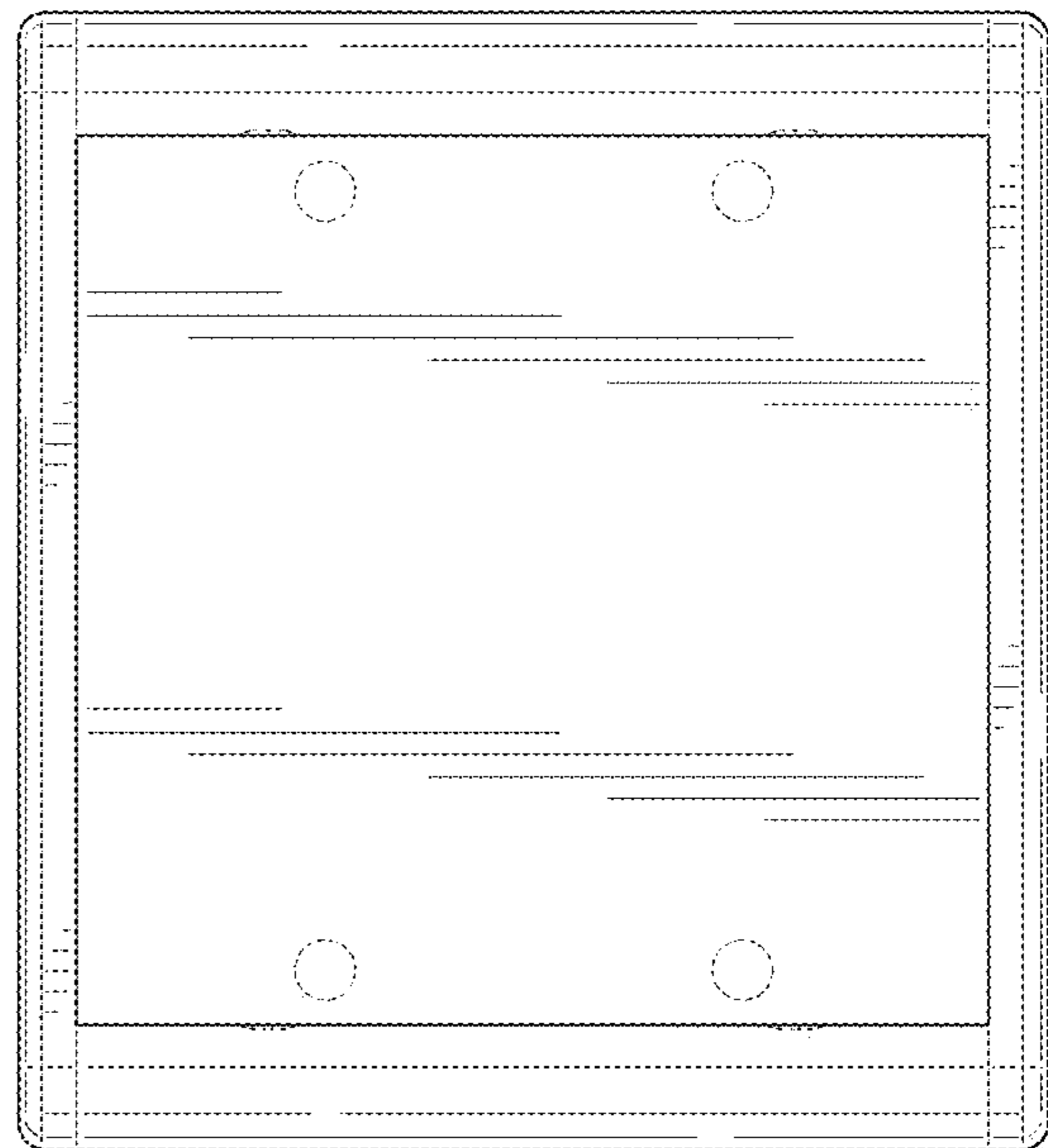


FIG. 26