



US00D953764S

(12) **United States Design Patent**
Xiao

(10) **Patent No.:** **US D953,764 S**
(45) **Date of Patent:** **** Jun. 7, 2022**

(54) **SOFA SET**

(71) Applicant: **TAIZHOU SUKK FURNITURE CO., LTD.**, Zhejiang (CN)

(72) Inventor: **Shuangshuang Xiao**, Zhejiang (CN)

(73) Assignee: **TAIZHOU SUKK FURNITURE CO., LTD.**, Zhejiang (CN)

(**) Term: **15 Years**

(21) Appl. No.: **29/795,062**

(22) Filed: **Jun. 16, 2021**

(51) **LOC (13) Cl.** **06-01**

(52) **U.S. Cl.**
USPC **D6/370**

(58) **Field of Classification Search**
USPC D6/370, 378; D21/521
(Continued)

(56) **References Cited**

U.S. PATENT DOCUMENTS

D235,495 S * 6/1975 Laylon D6/374
D271,065 S * 10/1983 Thompson D6/379
(Continued)

Primary Examiner — Kevin K Rudzinski

Assistant Examiner — Paul D Bohannon

(74) *Attorney, Agent, or Firm* — ScienBiziP, P.C.

(57) **CLAIM**

The ornamental design for a sofa set, as shown and described.

DESCRIPTION

FIG. 1 is a front, left, and top perspective view of a double seat sofa of a sofa set, showing my design.

FIG. 2 is a rear, right, and bottom perspective view of the double seat sofa of the sofa set of FIG. 1.

FIG. 3 is a front elevation view of the double seat sofa of the sofa set of FIG. 1.

FIG. 4 is a rear elevation view of the double seat sofa of the sofa set of FIG. 1.

FIG. 5 is a left side elevation view of the double seat sofa of the sofa set of FIG. 1.

FIG. 6 is a top plan view of the double seat sofa of the sofa set of FIG. 1.

FIG. 7 is a bottom plan view of the double seat sofa of the sofa set of FIG. 1.

FIG. 8 is a partial enlarged view of an area labeled 8 in FIG. 1 comprising a corner of the double seat sofa of the sofa set.

FIG. 9 is a partial enlarged view of an area labeled 9 in FIG. 2 comprising a part of a leg of the double seat sofa of the sofa set.

FIG. 10 is a front, right and top perspective view of a three seats sofa of a sofa set, showing my design.

FIG. 11 is a rear, left, and bottom perspective view of the three seats sofa of the sofa set of FIG. 10.

FIG. 12 is a front elevation view of the three seats sofa of the sofa set of FIG. 10.

FIG. 13 is a rear elevation view of the three seats sofa of the sofa set of FIG. 10.

FIG. 14 is a left side elevation view of the three seats sofa of the sofa set of FIG. 10.

FIG. 15 is a top plan view of the three seats sofa of the sofa set of FIG. 10.

FIG. 16 is a bottom plan view of the three seats sofa of the sofa set of FIG. 10.

FIG. 17 is a front, right, and top perspective view of a single seat sofa and a tea table of a sofa set, showing my design.

FIG. 18 is a rear, left, and bottom perspective view of the single seat sofa and the tea table of the sofa set of FIG. 17.

FIG. 19 is a front elevation view of the single seat sofa and the tea table of the sofa set of FIG. 17.

FIG. 20 is a rear elevation view of the single seat sofa and the tea table of the sofa set of FIG. 17.

FIG. 21 is a left side elevation view of the single seat sofa and the tea table of the sofa set of FIG. 17.

FIG. 22 is a top plan view of the single seat sofa and the tea table of the sofa set of FIG. 17.

FIG. 23 is a bottom plan view of the single seat sofa and the tea table of the sofa set of FIG. 17; and,

(Continued)

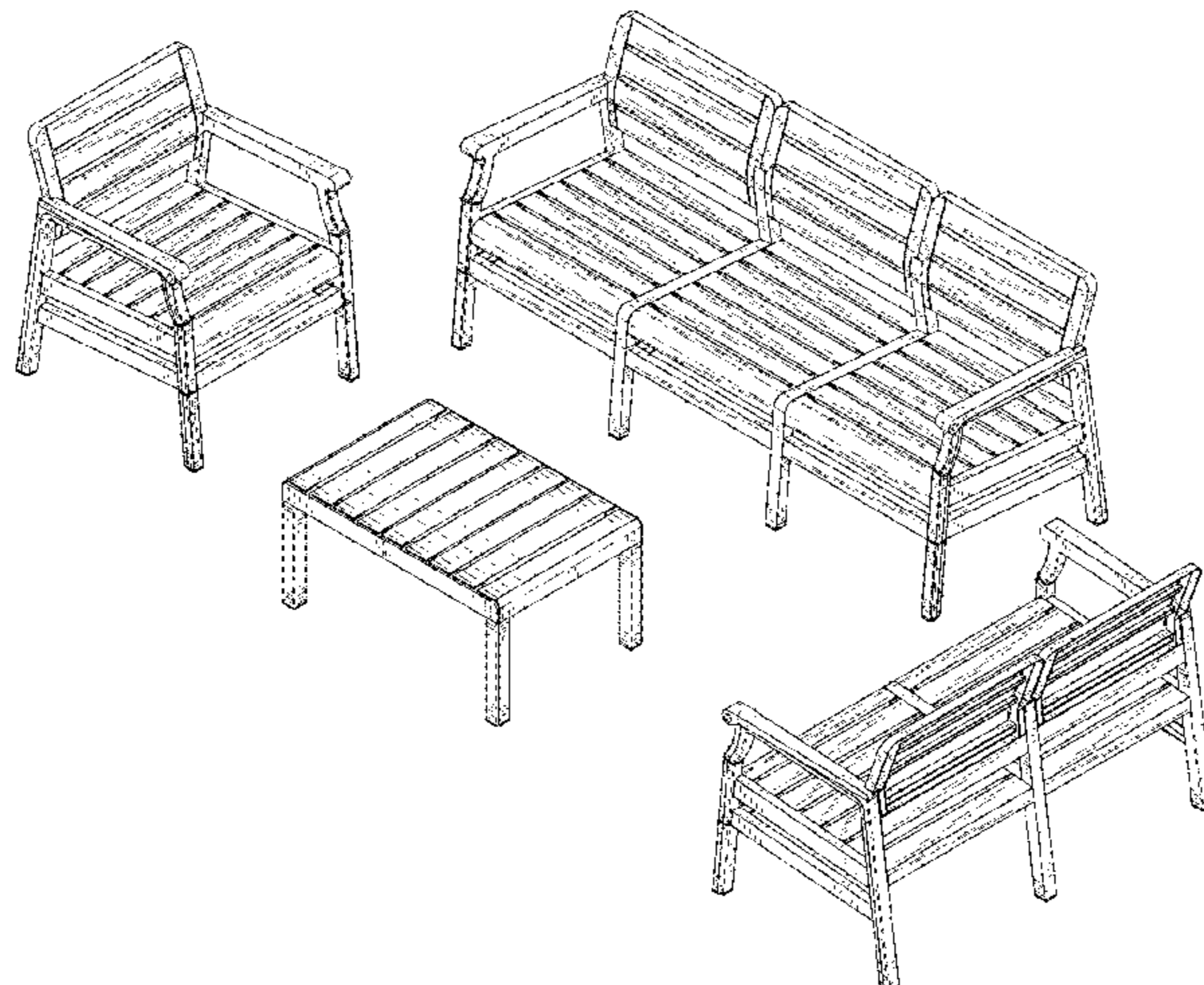


FIG. 24 is a combination state view, wherein shows a front, right, and top perspective view of a single seat sofa and a tea table, and a three seats sofa of a sofa set, and shows a rear, right, and top perspective view of a double seat of the sofa set.

The broken lines framing portions of the claimed design that are illustrated for enlargements form no part of the claimed design.

The dash-dot broken lines framing portions of the claimed design that are illustrated for enlargements form no part of the claimed design. Additionally, the dash-dash broken lines shown in the drawings illustrate portions of the article that form no part of the claimed design.

A right side elevation view of the double seat sofa of the sofa set is a mirror image of the left side elevation view of the double seat sofa of the sofa set as shown in FIG. 5.

A right side elevation view of the three seat sofa of the sofa set is a mirror image of the left side elevation view of the three seat sofa of the sofa set as shown in FIG. 14.

A right side elevation view of the single seat sofa and the tea table of the sofa set is a mirror image of the left side elevation view of the single seat sofa and the tea table of the sofa set as shown in FIG. 21.

1 Claim, 24 Drawing Sheets

(58) **Field of Classification Search**

CPC A47C 7/024; A47C 7/405; A47C 7/002;
 A47C 5/04; A47C 5/12; A47C 5/14;
 A47C 4/03; A47C 4/08; A47C 4/022;
 A47C 3/04; A47C 3/12; A47C 1/143;
 A47C 11/00; A47B 2220/0055

See application file for complete search history.

(56)

References Cited

U.S. PATENT DOCUMENTS

D354,173	S	*	1/1995	Escobal	D6/338
D368,382	S	*	4/1996	Grosfillex	D6/370
D396,365	S	*	7/1998	Lizell	D6/370
D399,666	S	*	10/1998	Muller	D6/370
D399,667	S	*	10/1998	Muller	D6/370
D420,825	S	*	2/2000	Lin	D6/370
D425,718	S	*	5/2000	van Valderen	D6/370
D447,882	S	*	9/2001	Kane	D6/381
D448,187	S	*	9/2001	Goldstein	D6/370
D477,926	S	*	8/2003	Haney	D6/370
D535,114	S	*	1/2007	Goldstein	D6/381
D541,547	S	*	5/2007	Goldstein	D6/381
D655,525	S	*	3/2012	Pedersen	D6/370
D655,953	S	*	3/2012	Hughes	D6/717
D660,036	S	*	5/2012	Grotta	D6/370
D660,037	S	*	5/2012	Pedersen	D6/370
D660,038	S	*	5/2012	Hoyord	D6/370
D660,039	S	*	5/2012	Grotta	D6/370
D679,112	S	*	4/2013	Asner	D6/370
D680,346	S	*	4/2013	Pedersen	D6/370
D717,557	S	*	11/2014	Bougay	D6/370
D717,558	S	*	11/2014	Bougay	D6/370
D720,941	S	*	1/2015	Mila	D6/370
D724,341	S	*	3/2015	Mila	D6/370
D761,032	S	*	7/2016	Asner	D6/370
D769,014	S	*	10/2016	Bougay	D6/370
D769,638	S	*	10/2016	Bougay	D6/370
9,759,248	B1	*	9/2017	Wu	A47C 7/40
D839,615	S	*	2/2019	Tham	D6/381
D866,206	S		11/2019	Tham	
D901,203	S	*	11/2020	Davis	D6/370
D903,357	S	*	12/2020	Davis	D6/370
D906,713	S	*	1/2021	White, III	D6/370
D937,596	S	*	12/2021	Kong	D6/370
2003/0160484	A1	*	8/2003	Ware	A47C 11/00 297/248
2019/0090646	A1	*	3/2019	Adams	A47C 1/14

* cited by examiner

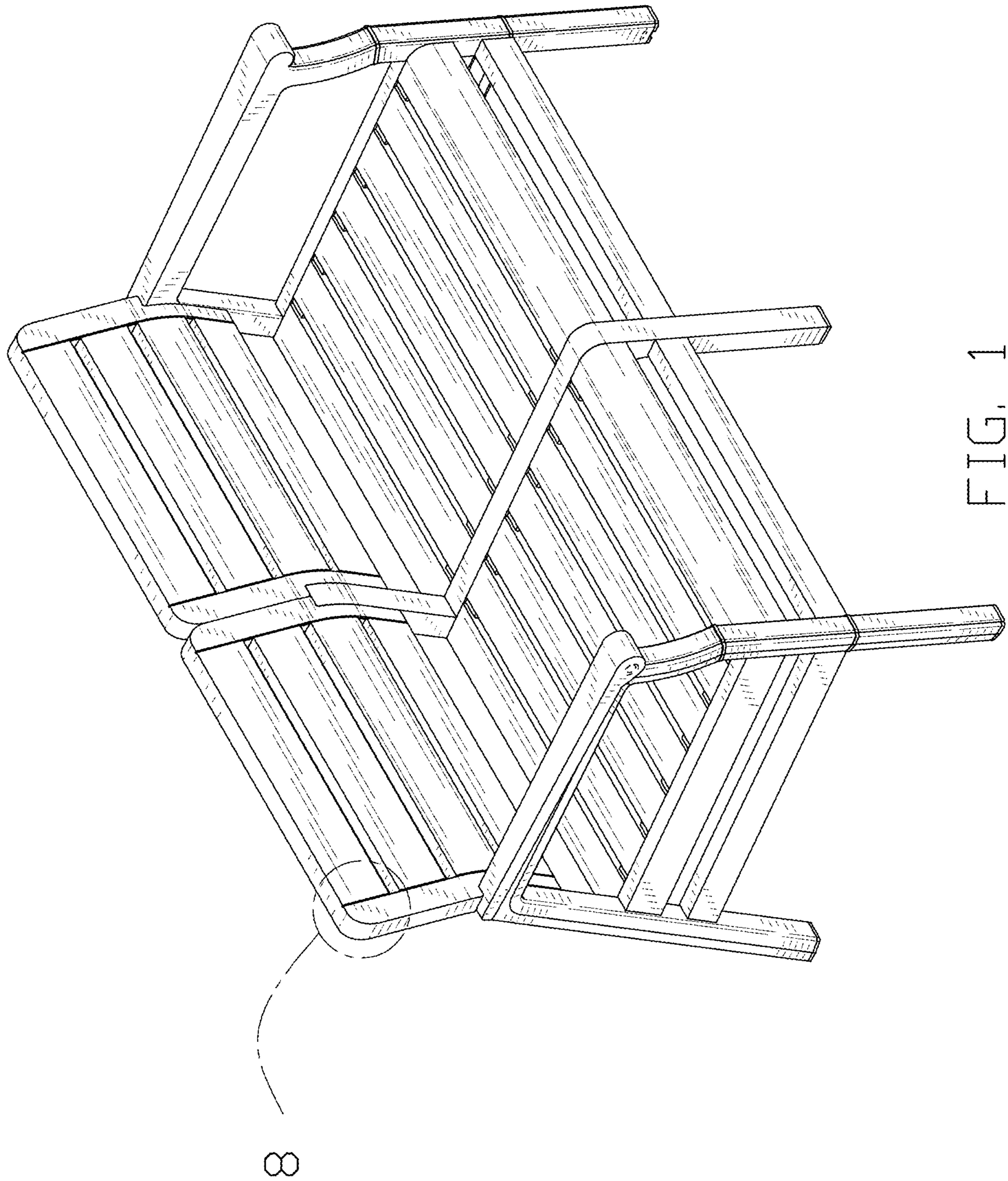


FIG. 1

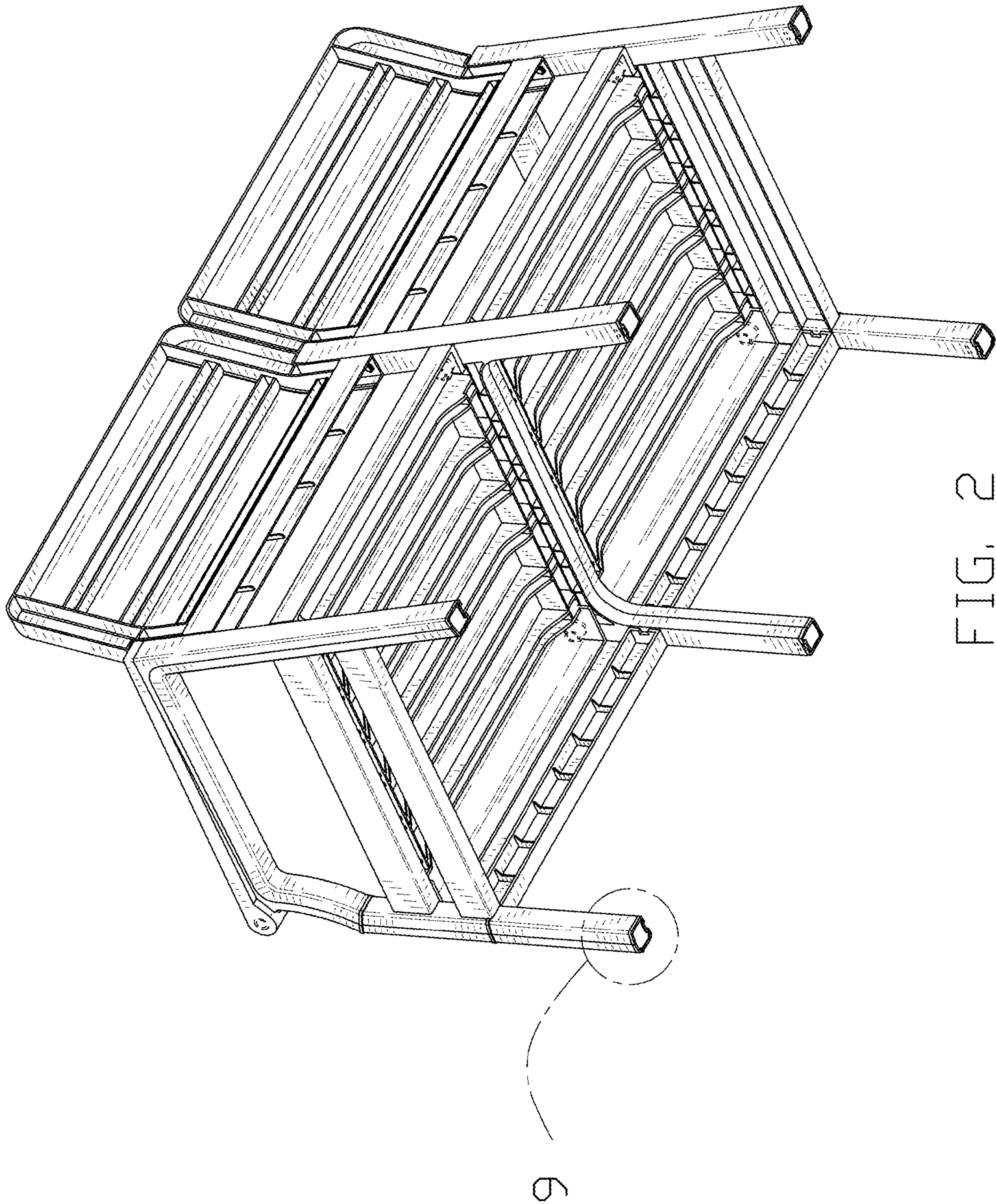


FIG. 2

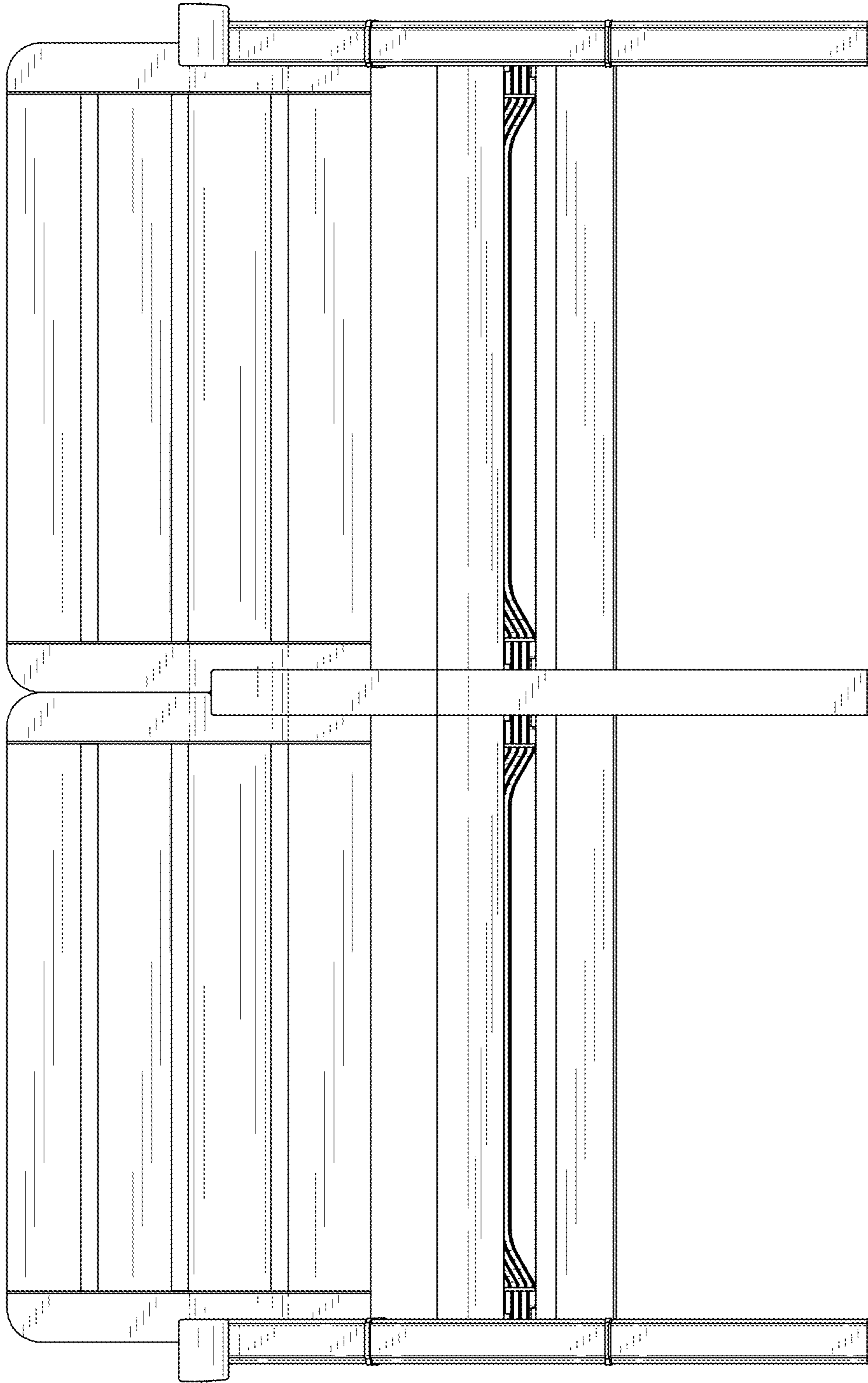


FIG. 3

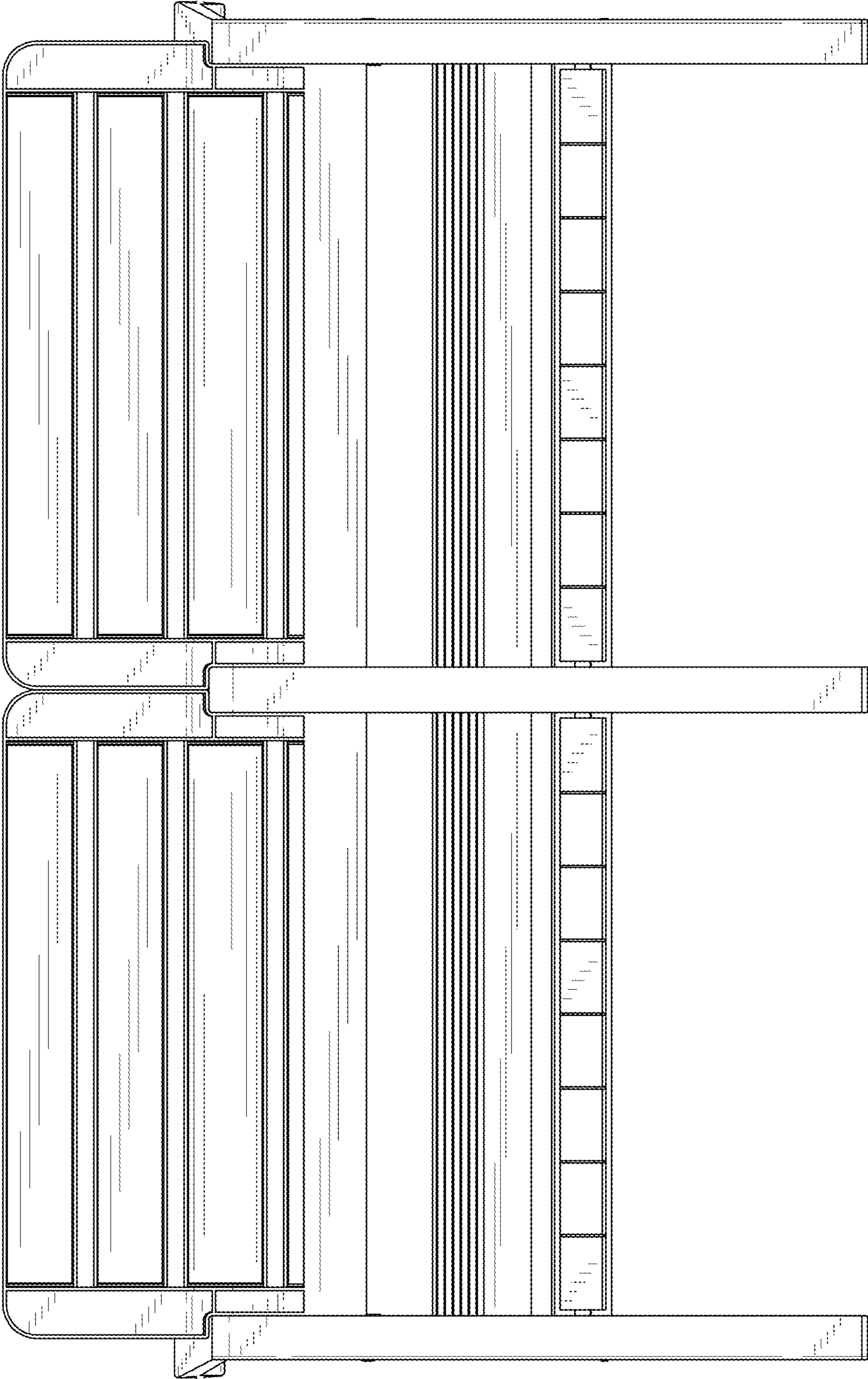


FIG. 4

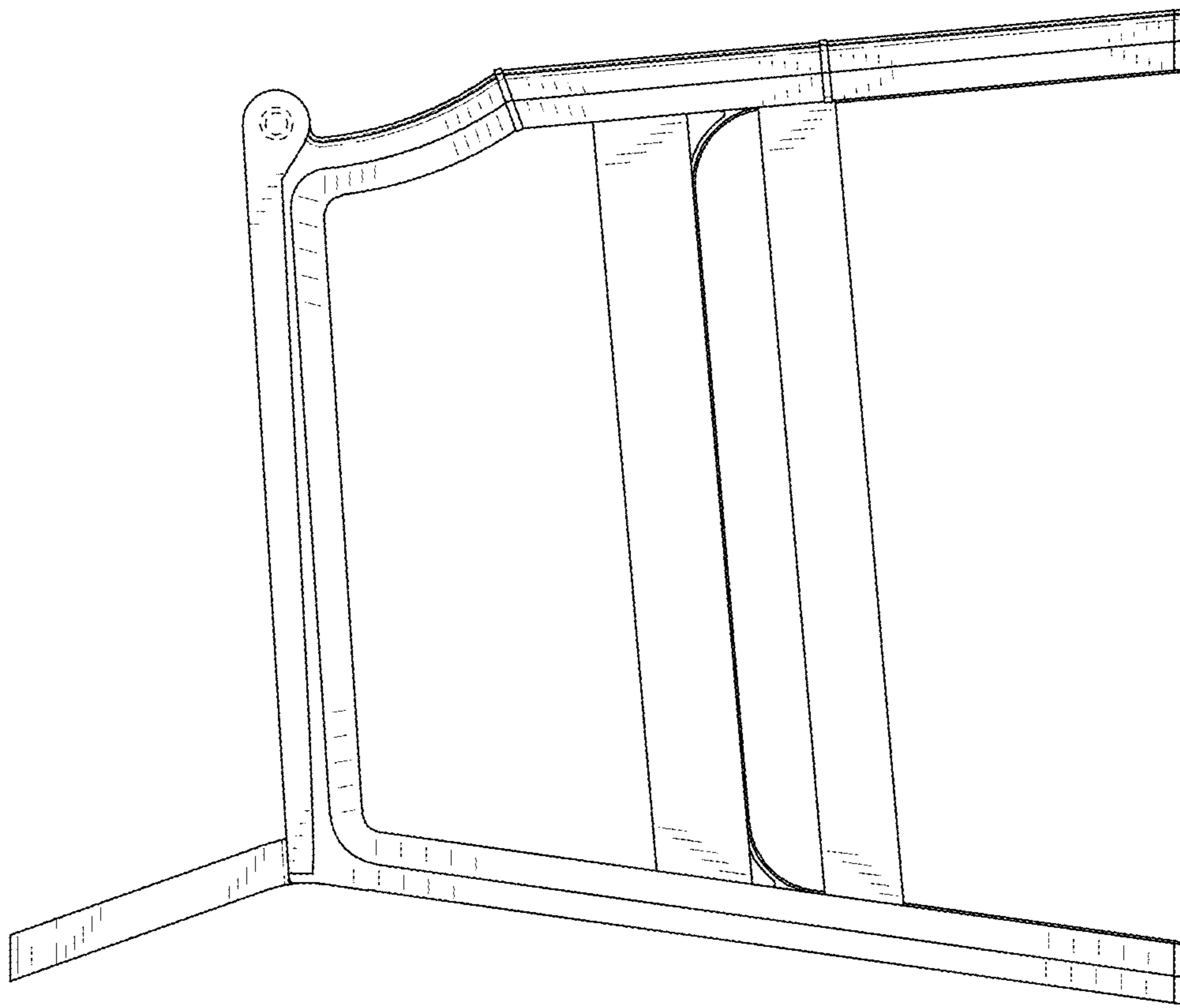


FIG. 5

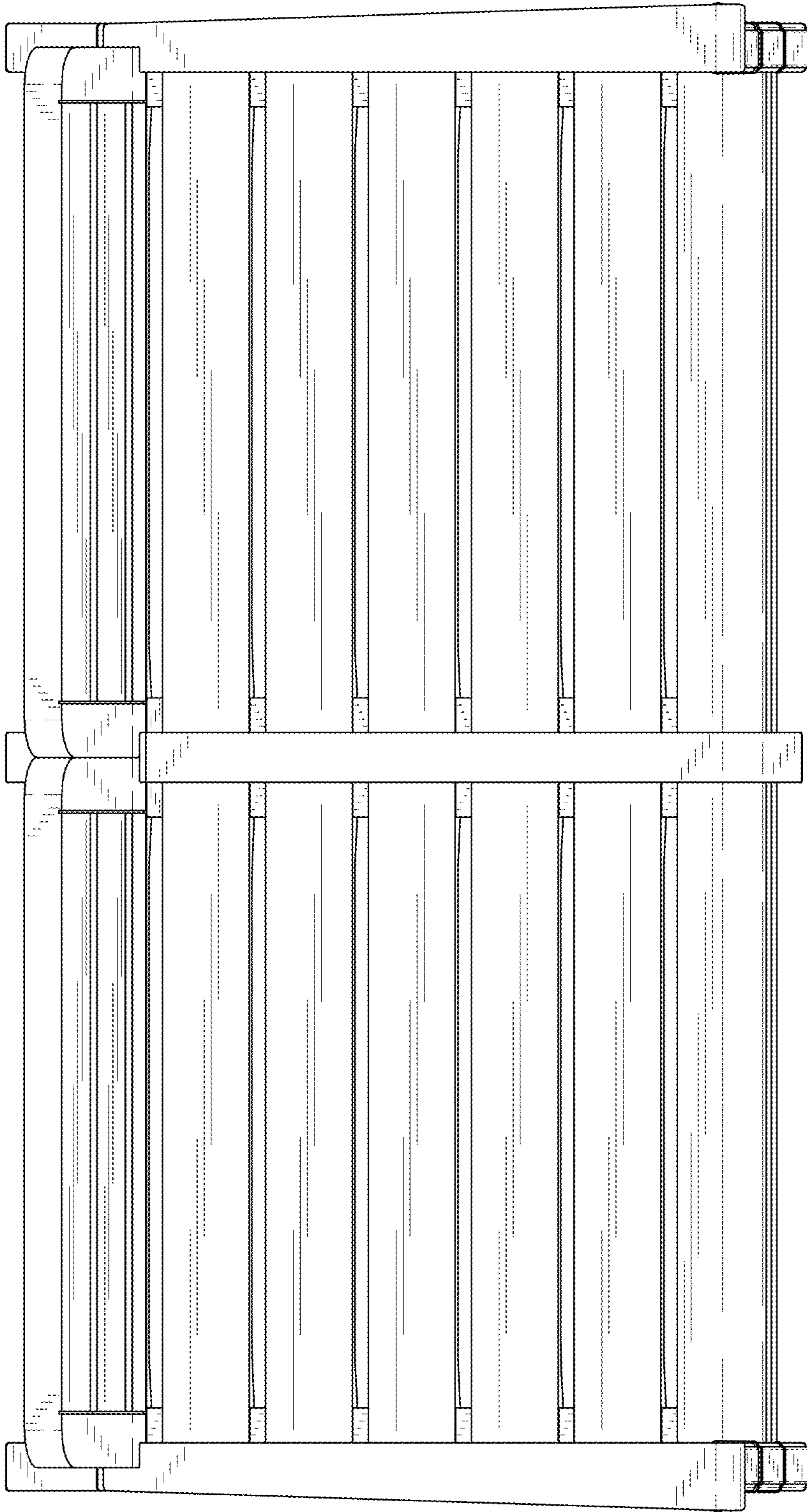


FIG. 6

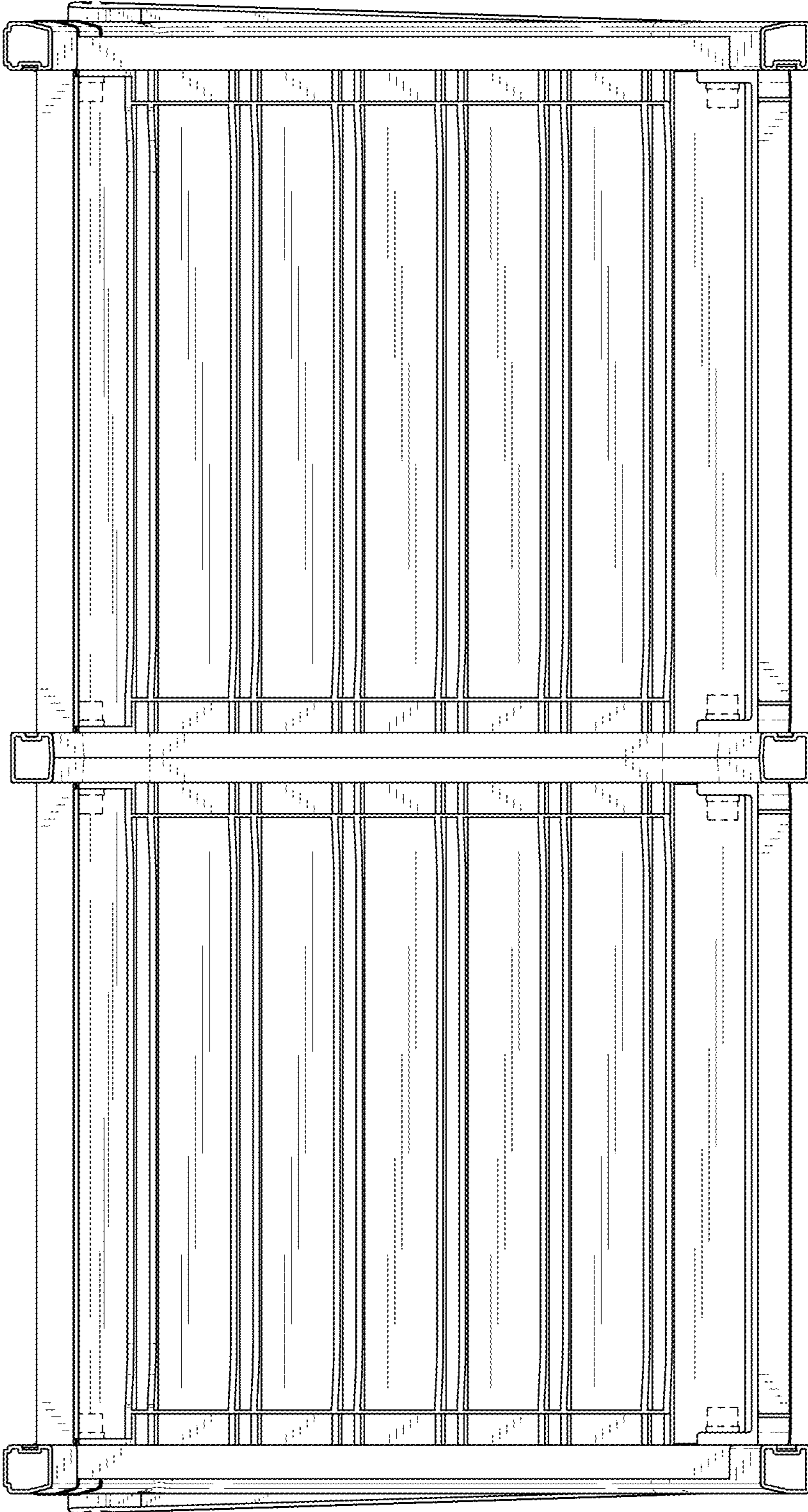


FIG. 7

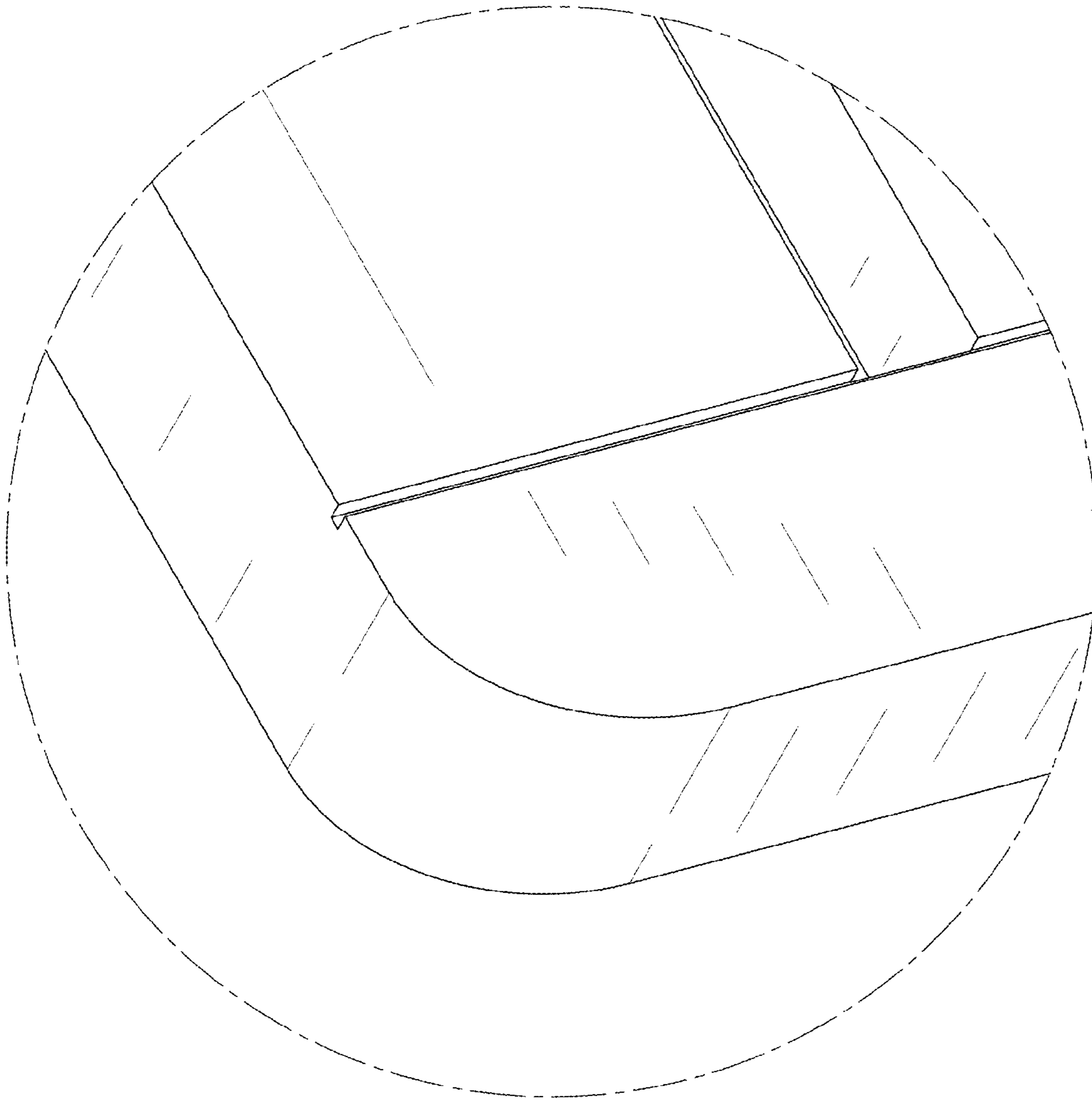


FIG. 8

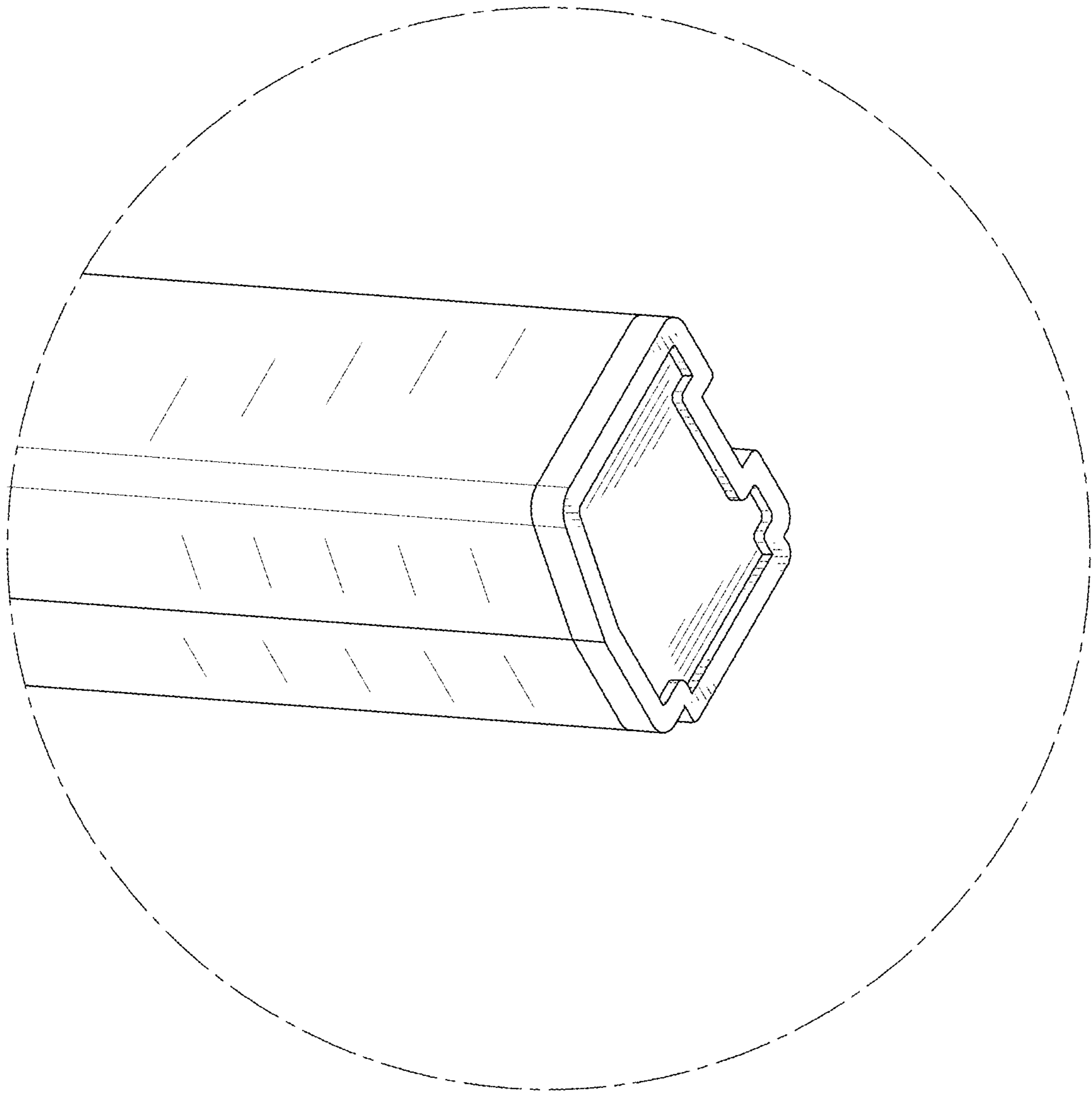


FIG. 9

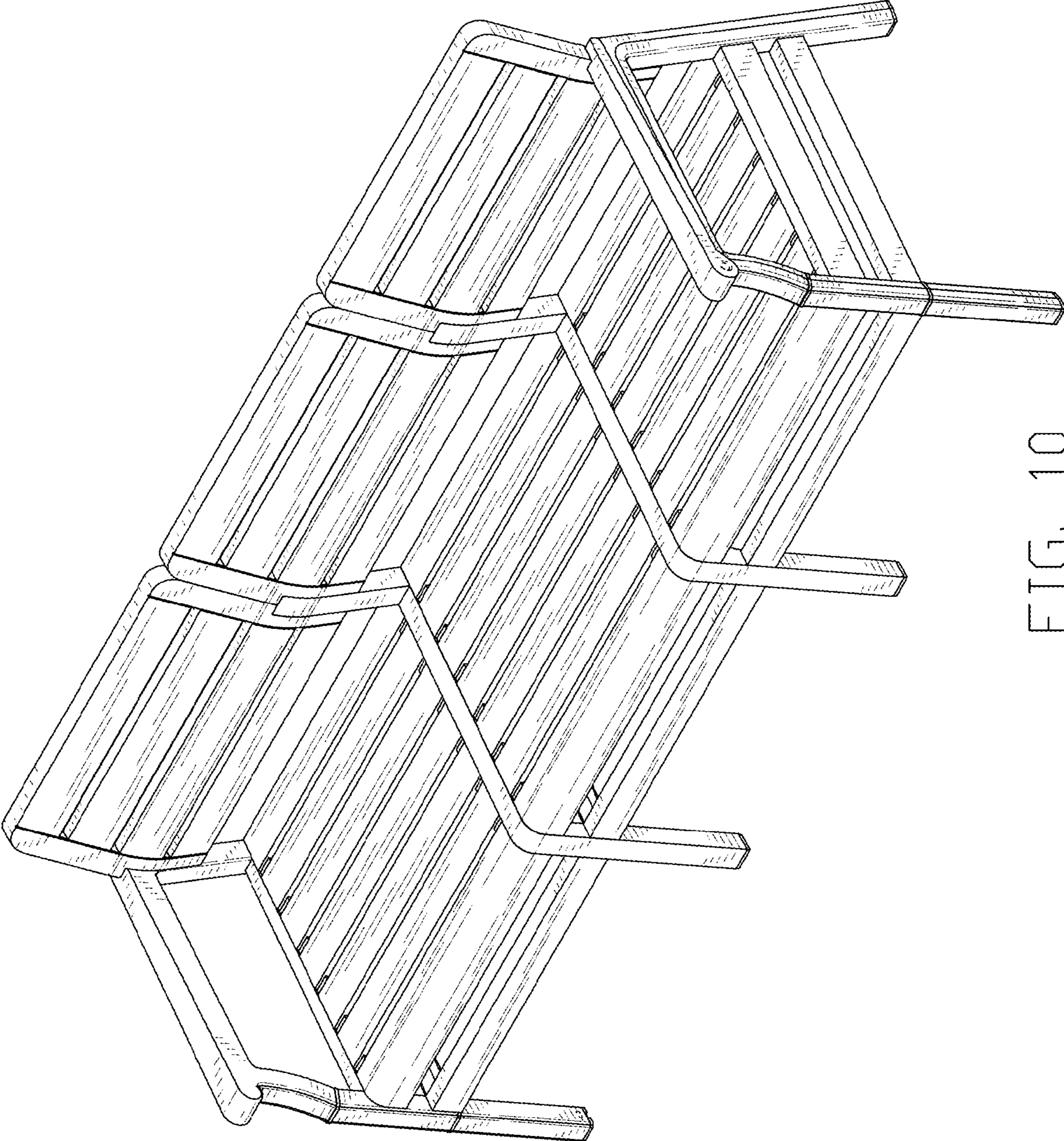


FIG. 10

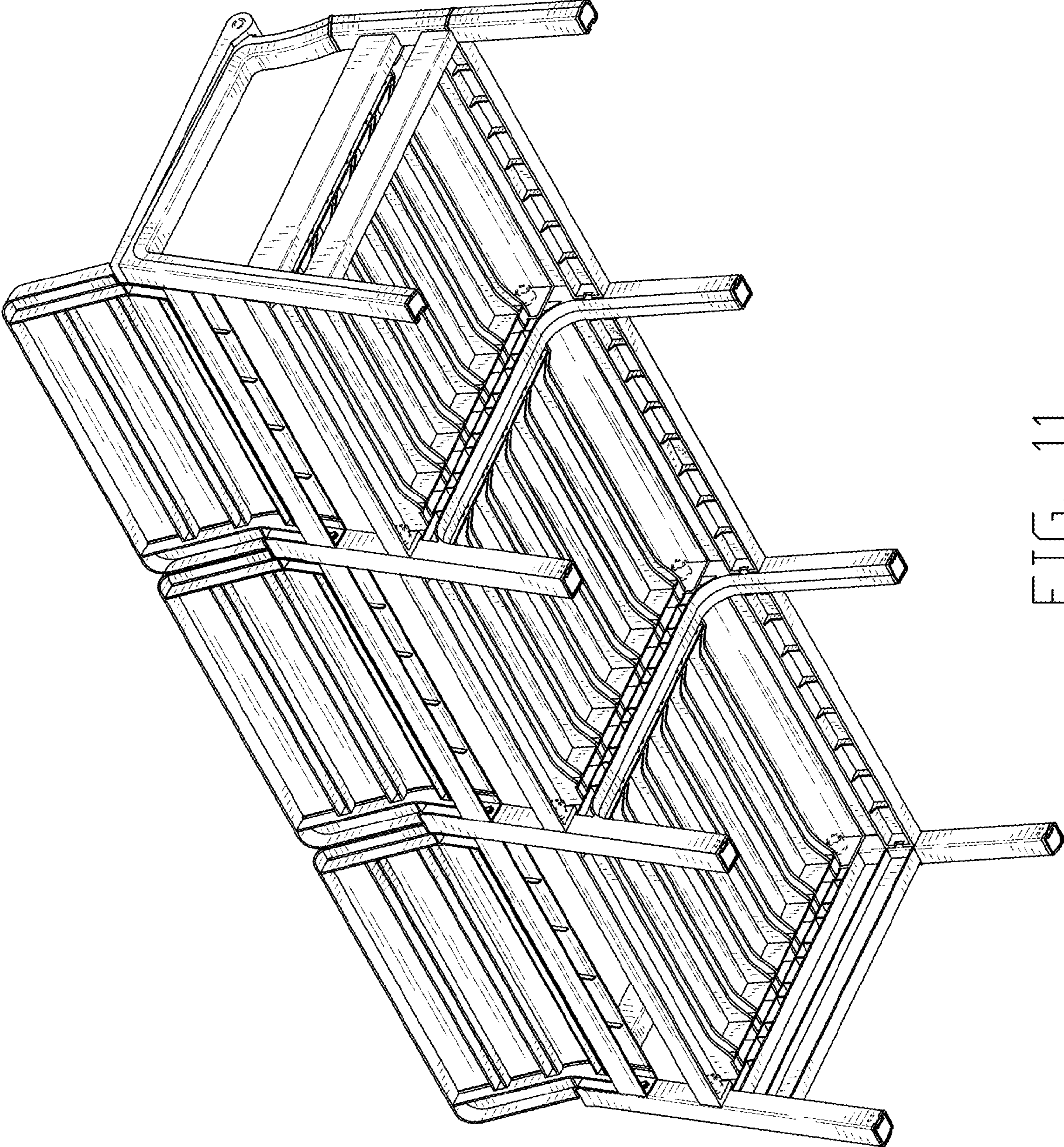


FIG. 11

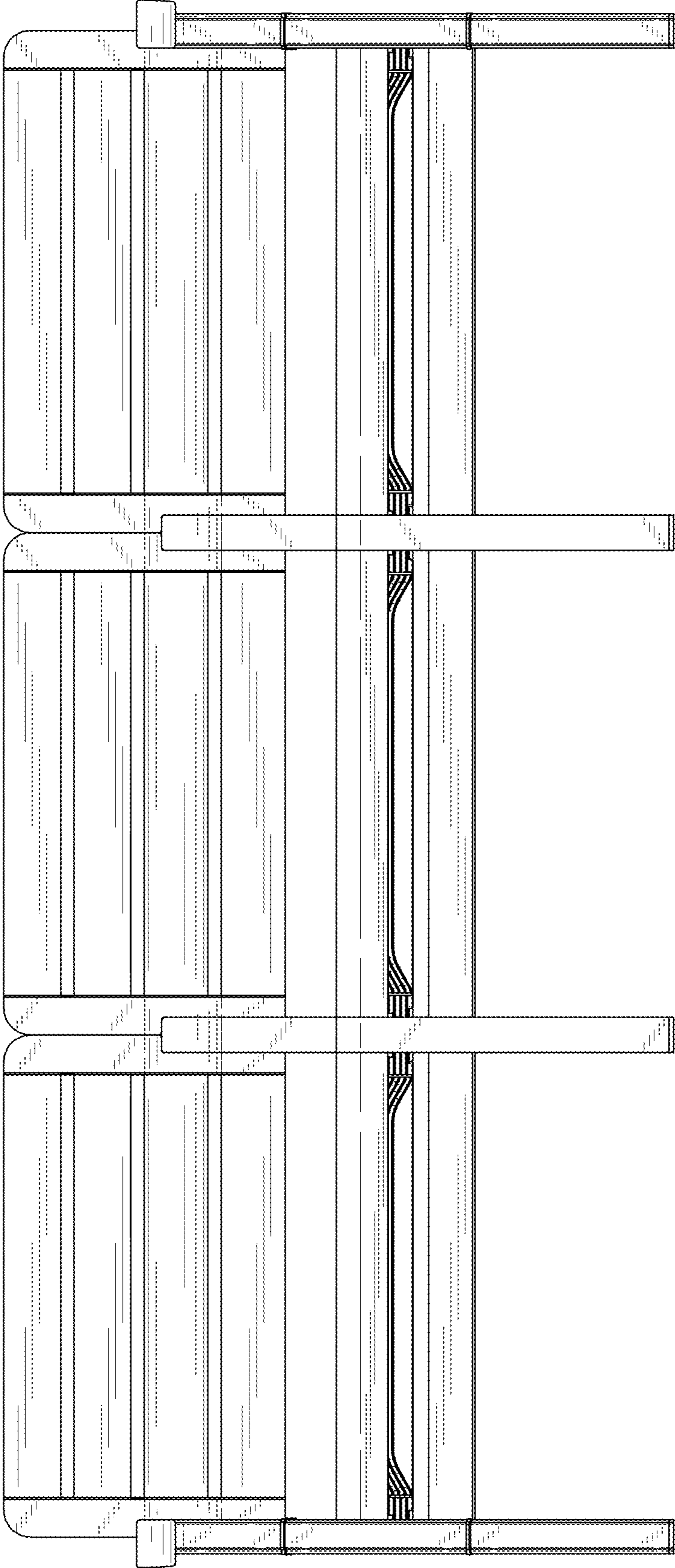


FIG. 12

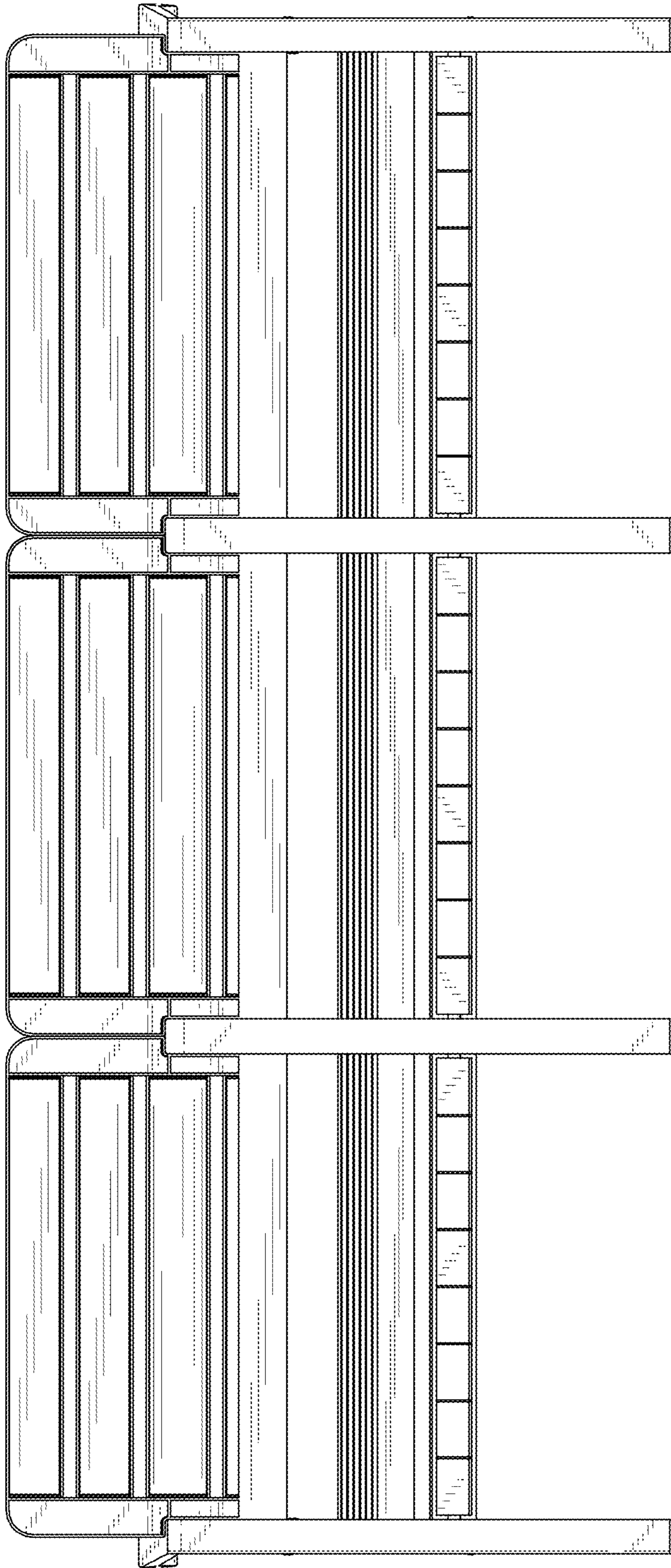


FIG. 13

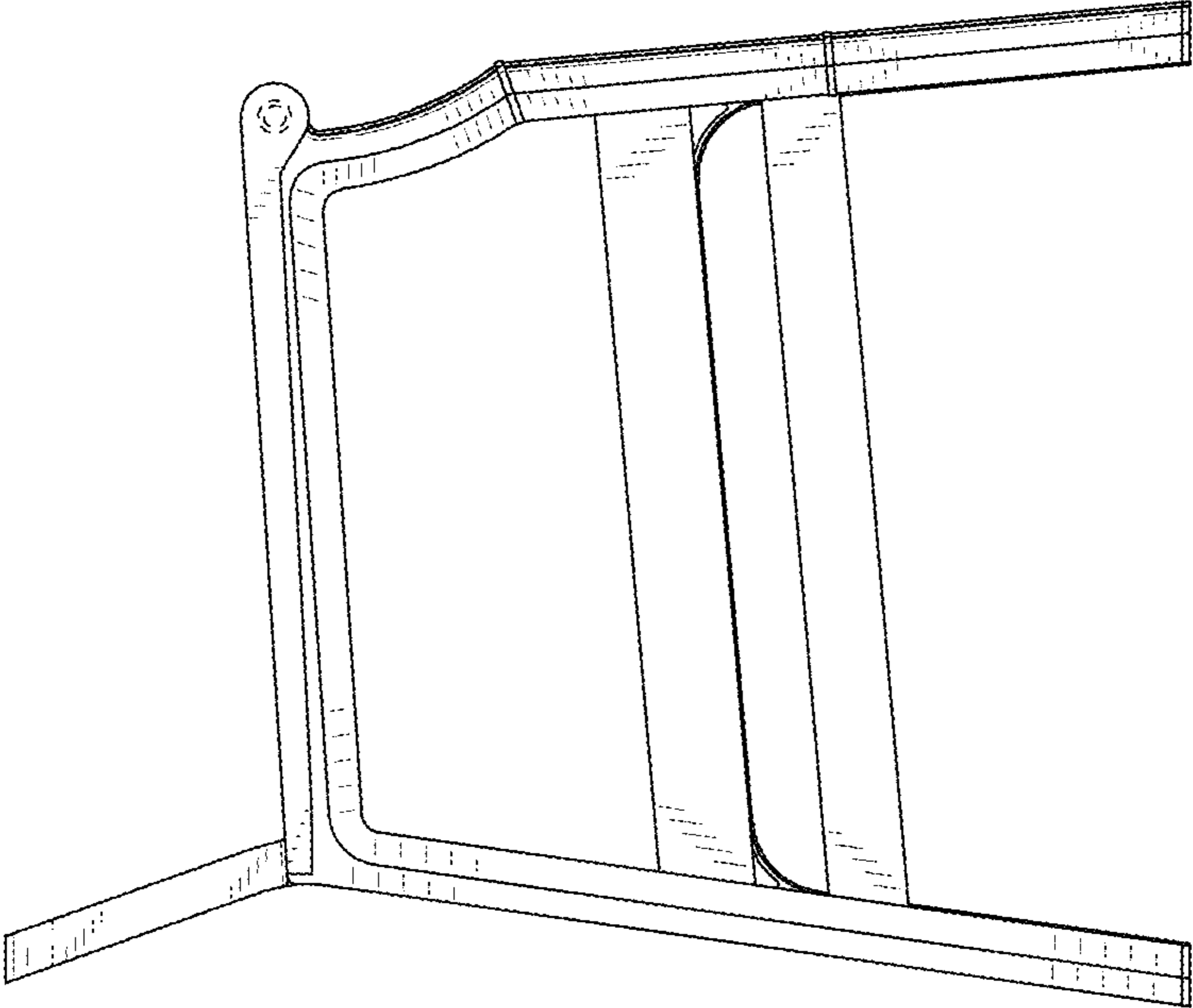


FIG. 14

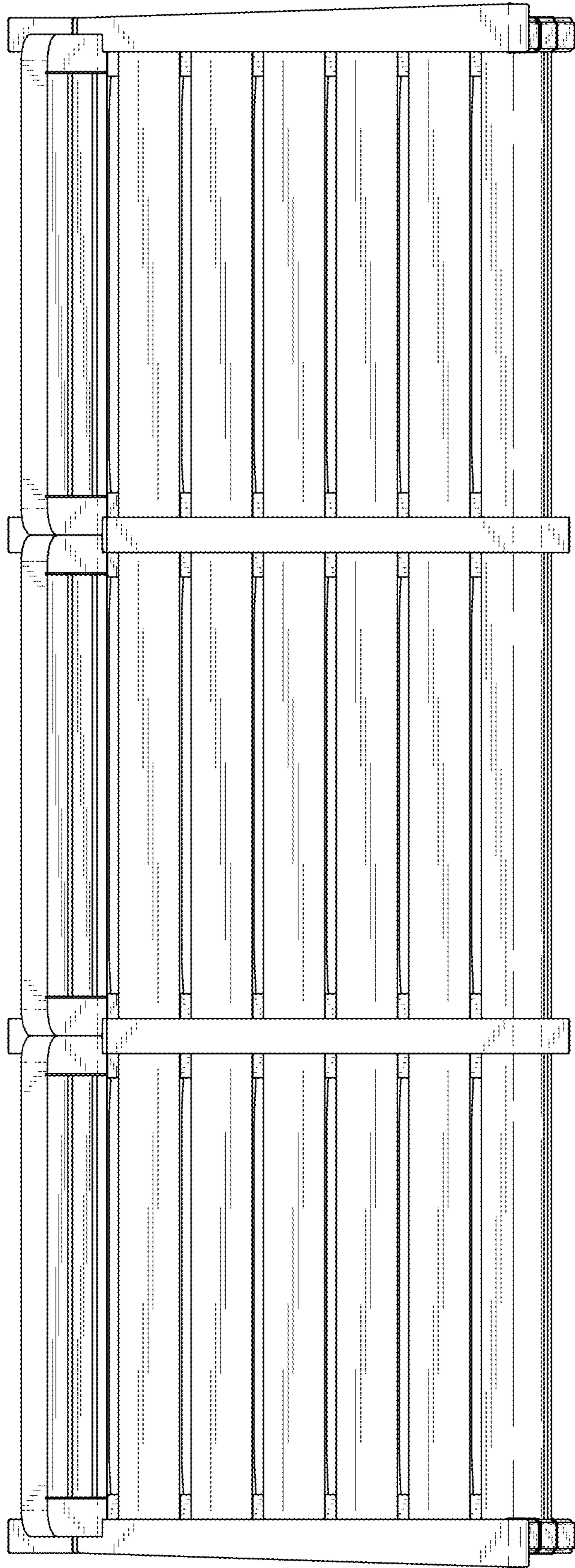


FIG. 15

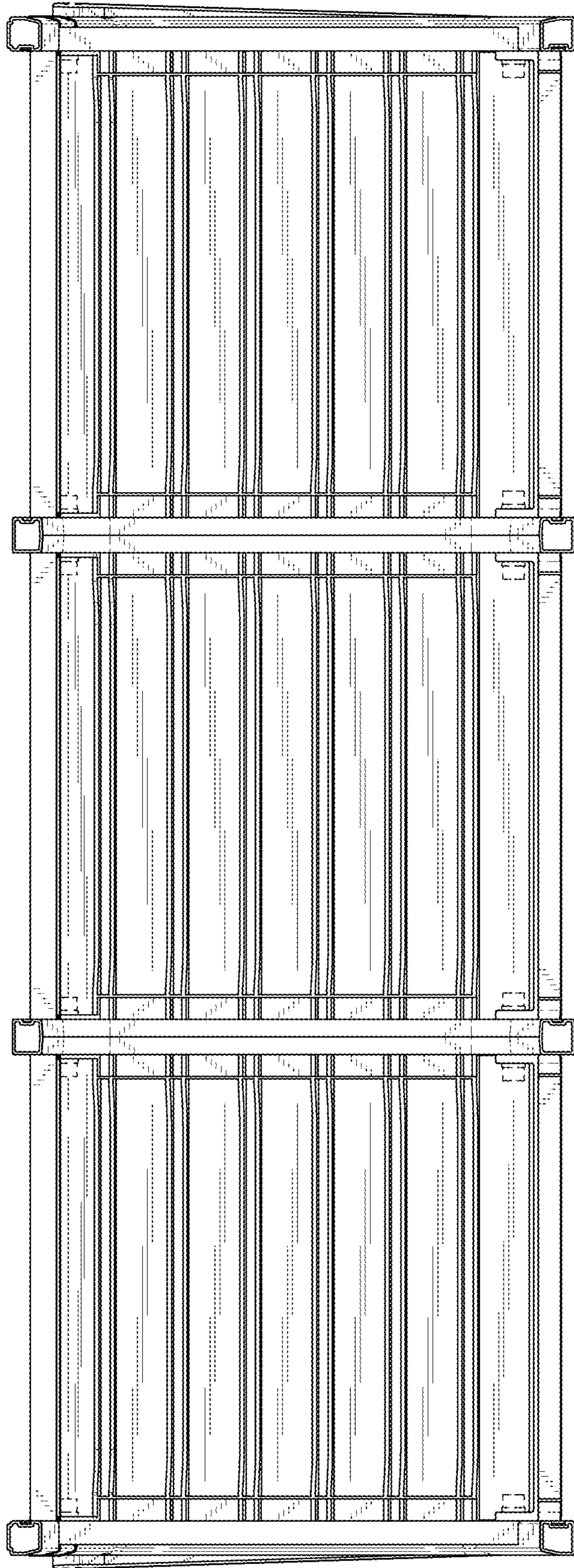


FIG. 16

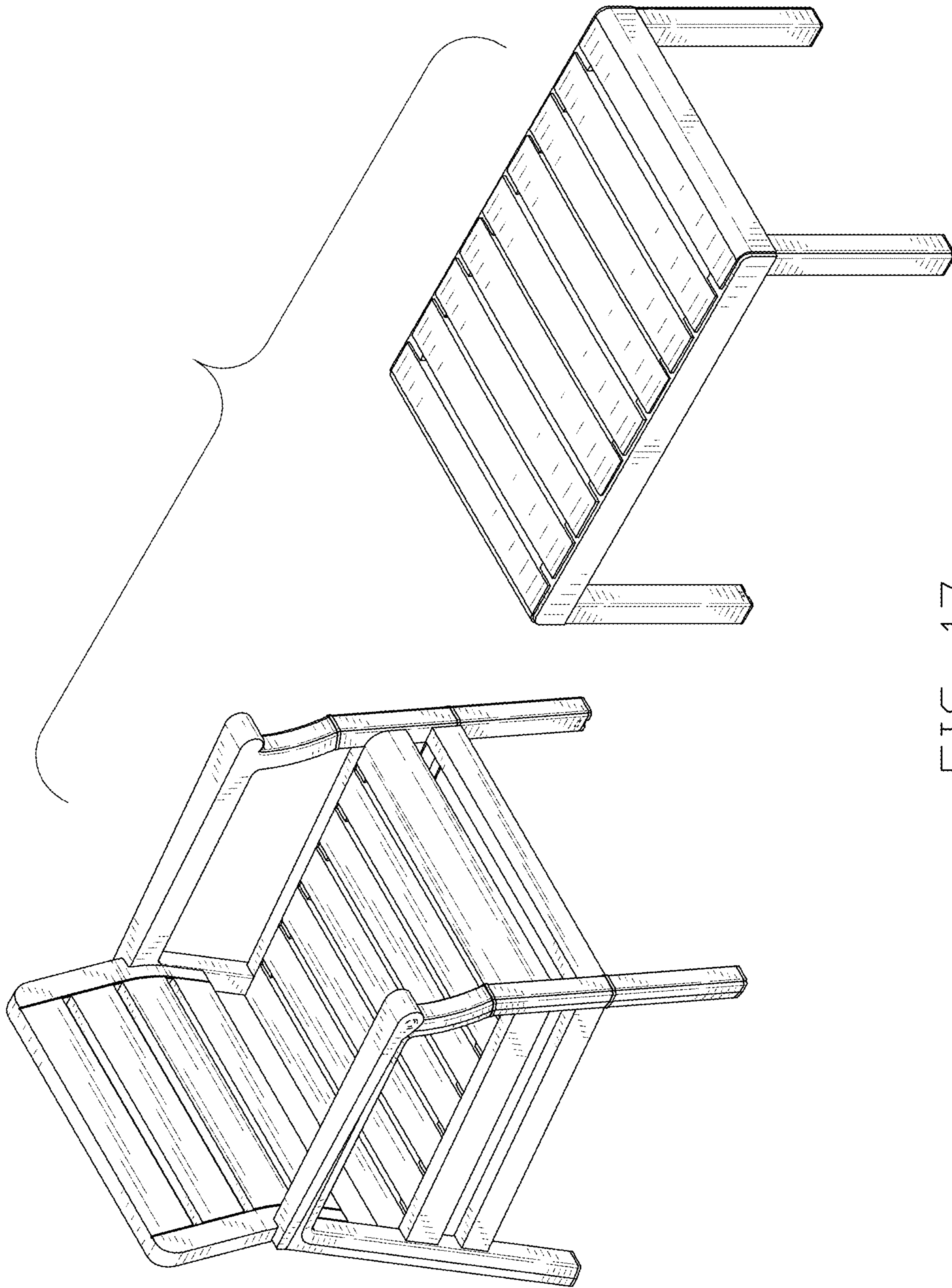


FIG. 17

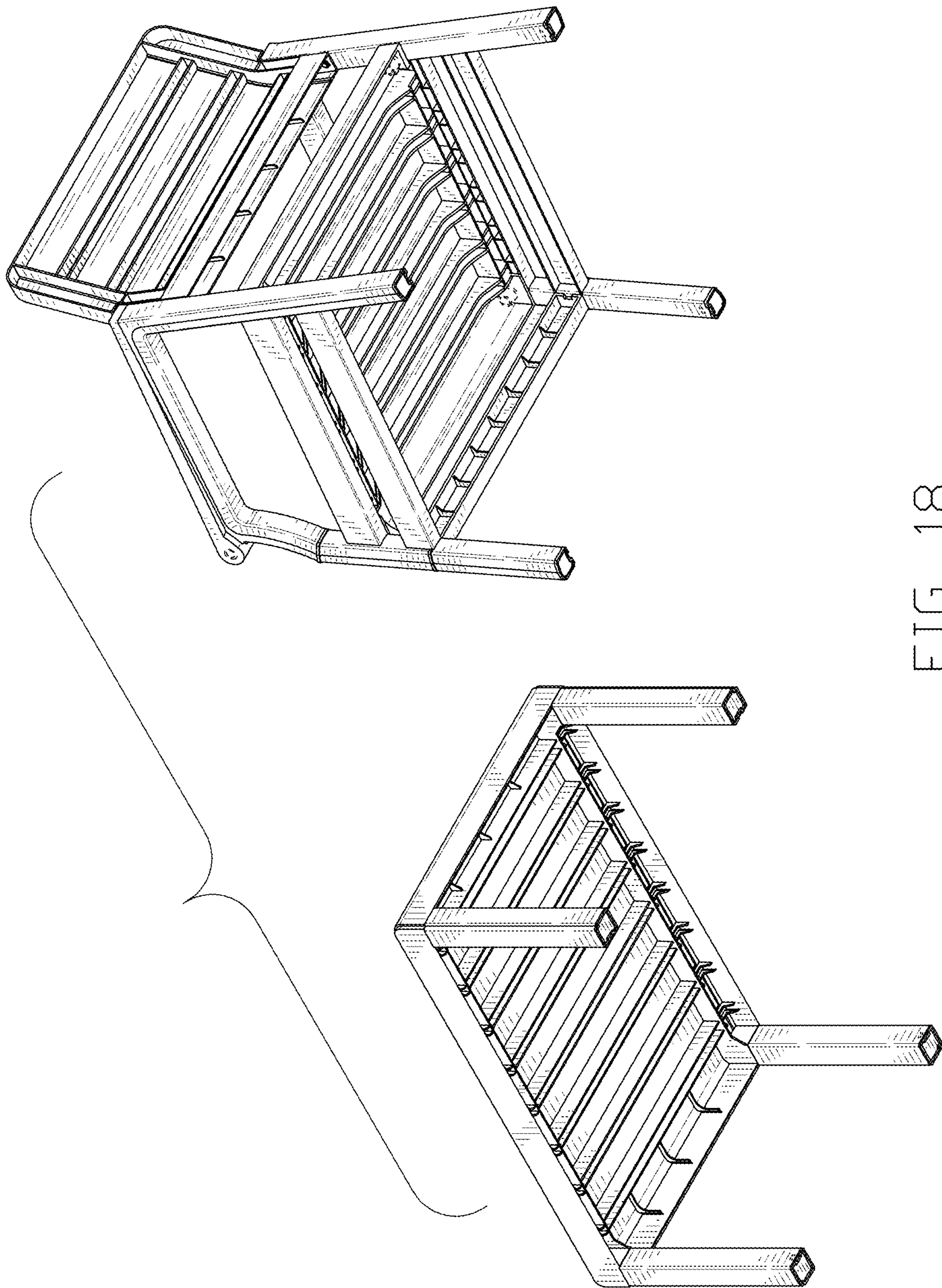


FIG. 18

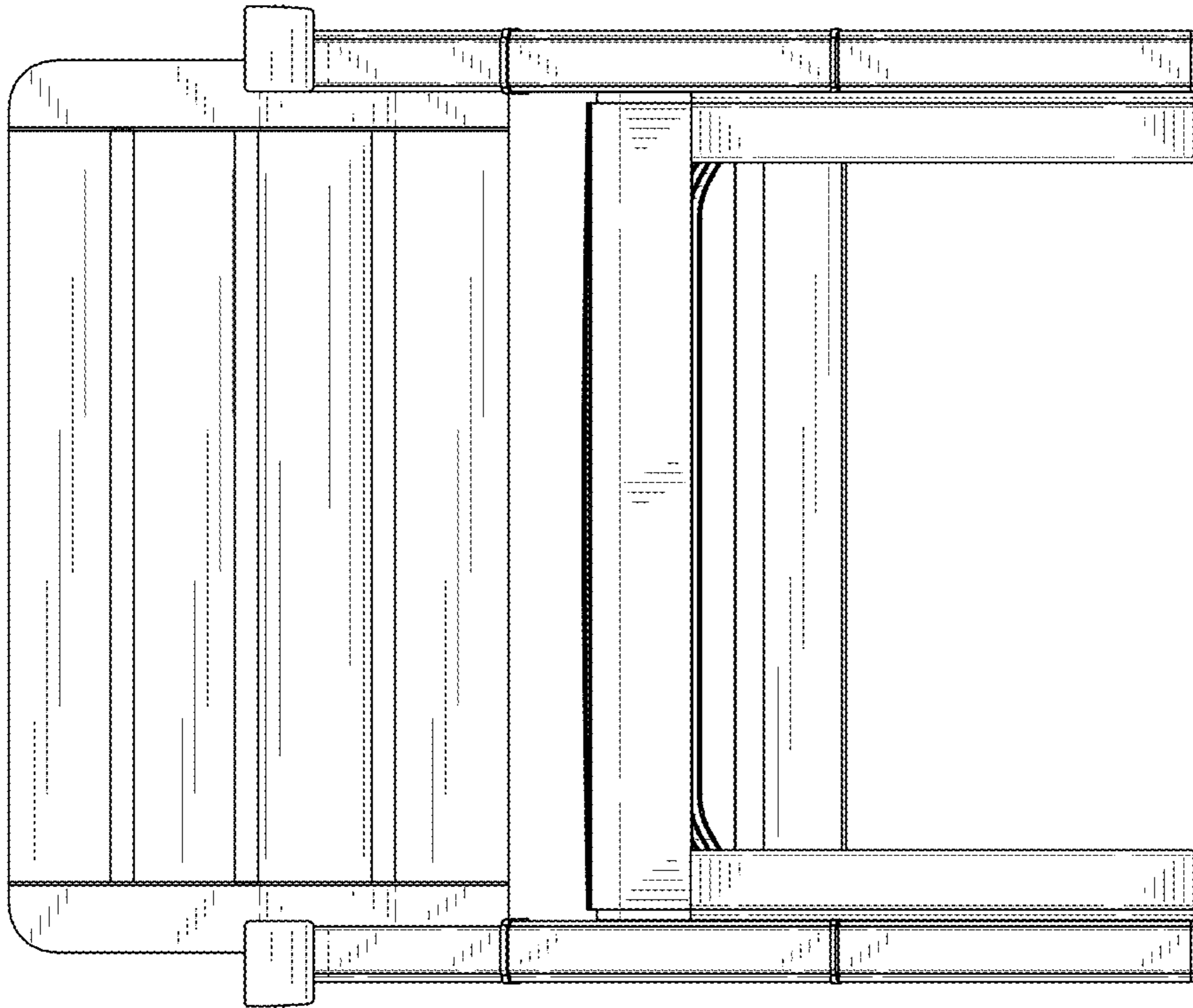


FIG. 19

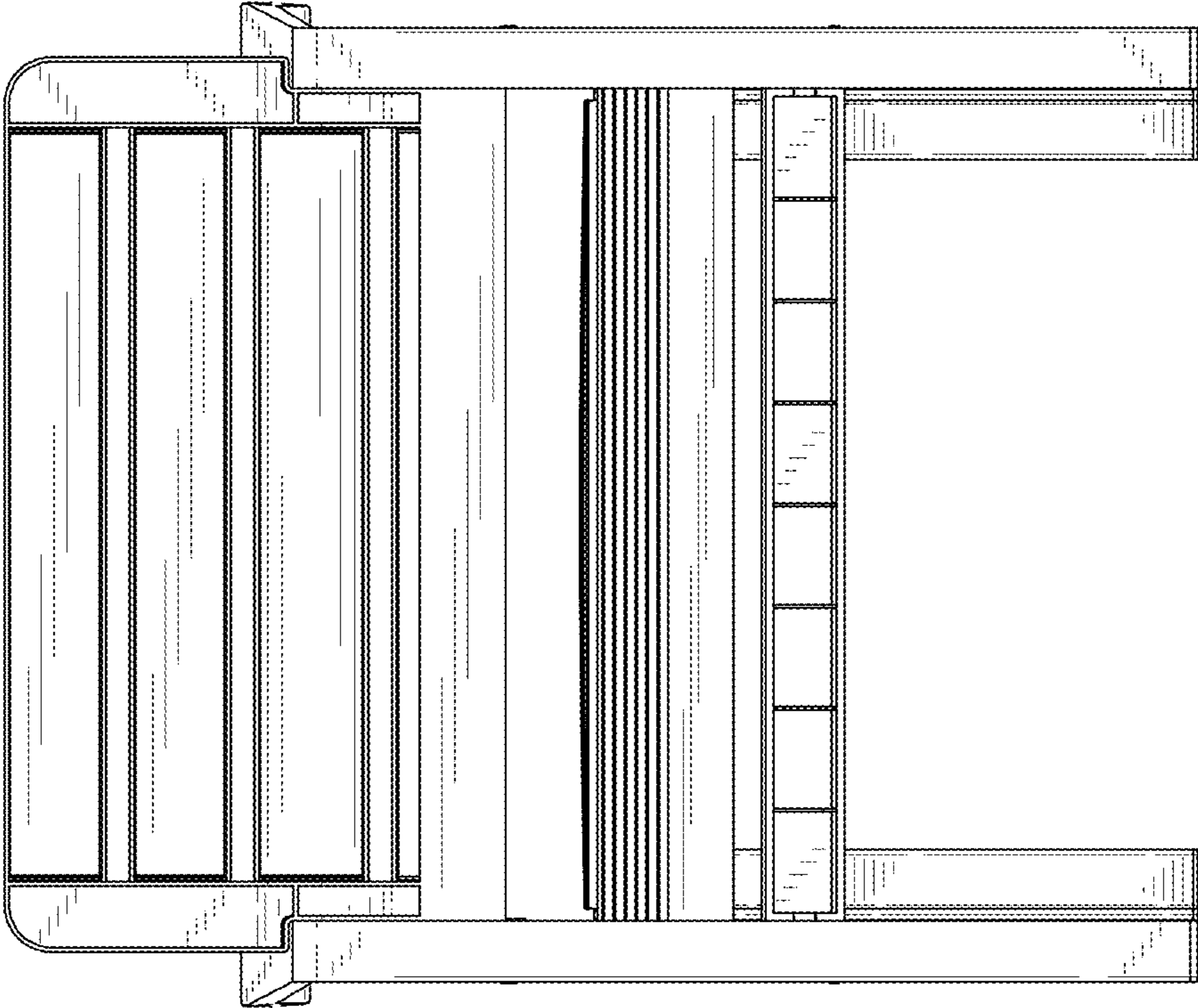


FIG. 20

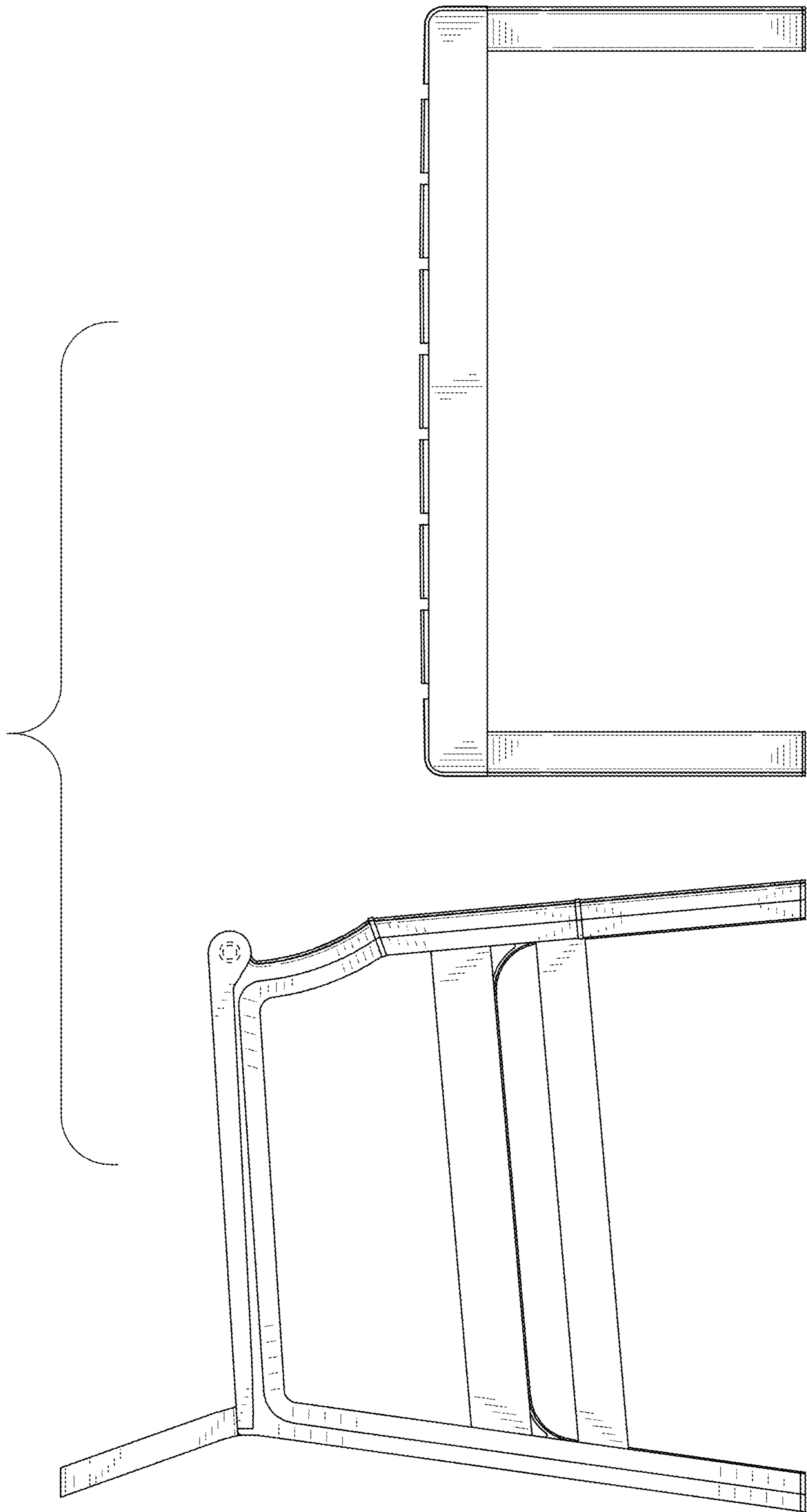


FIG. 21

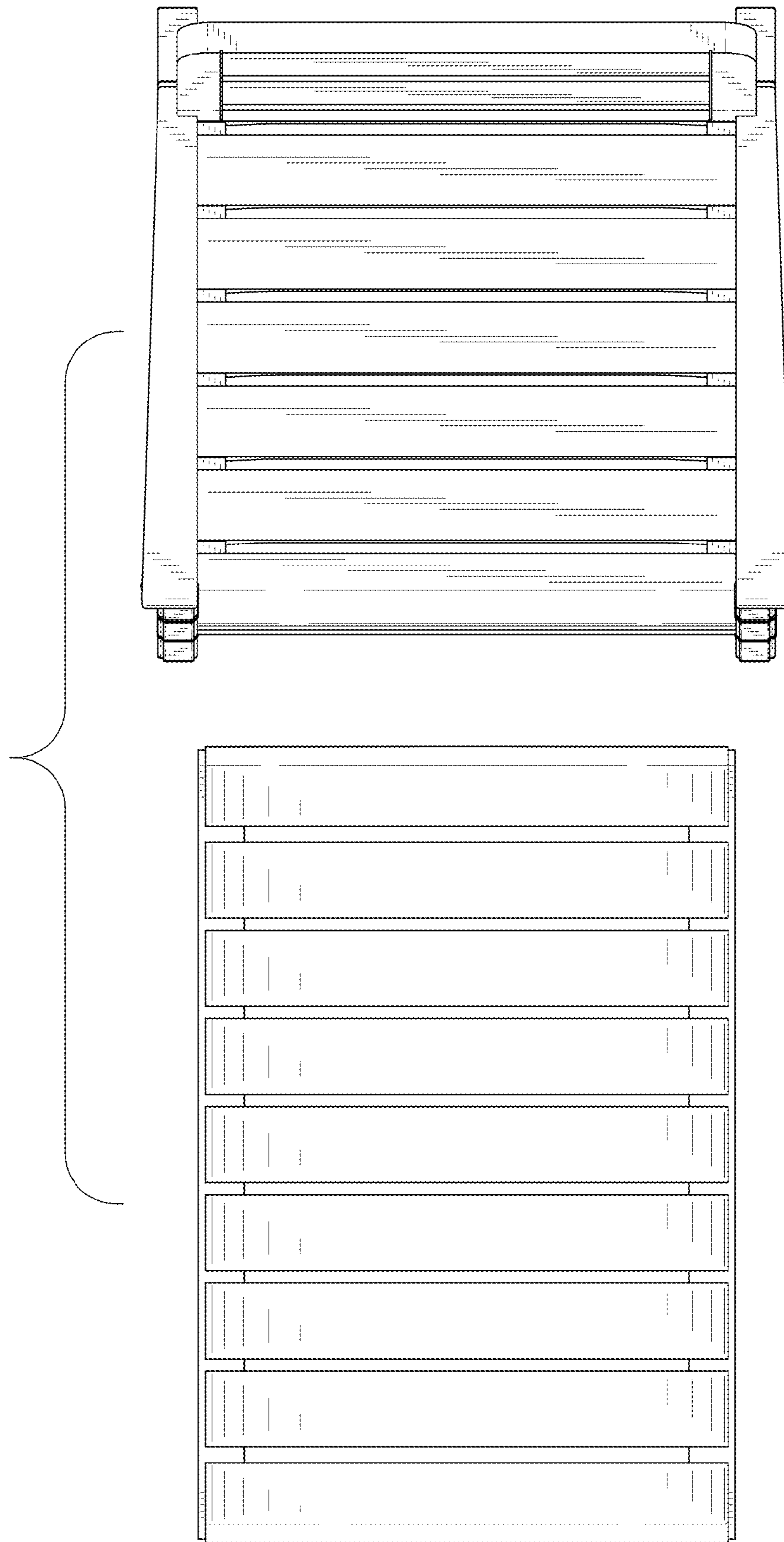


FIG. 22

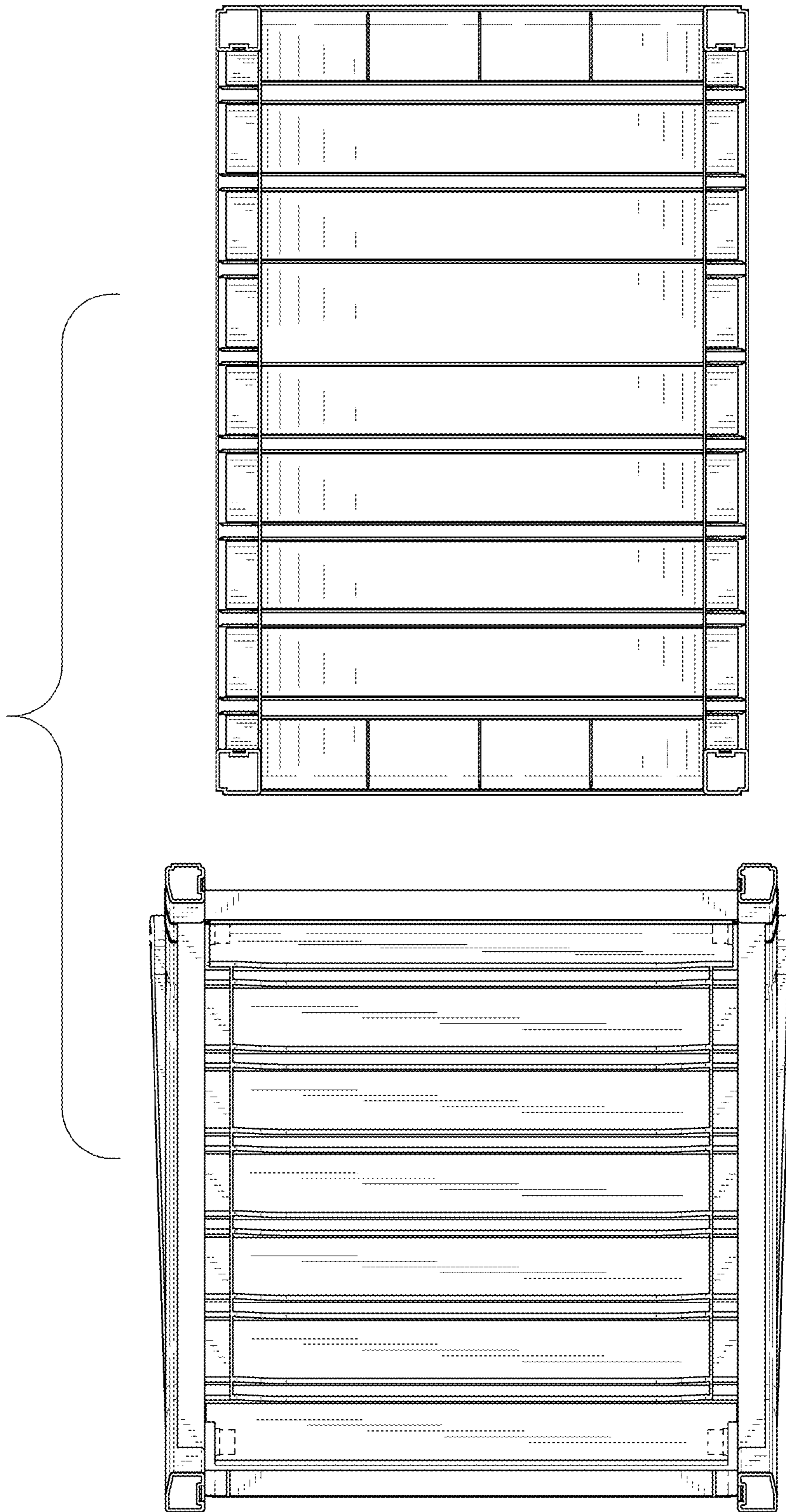


FIG. 23

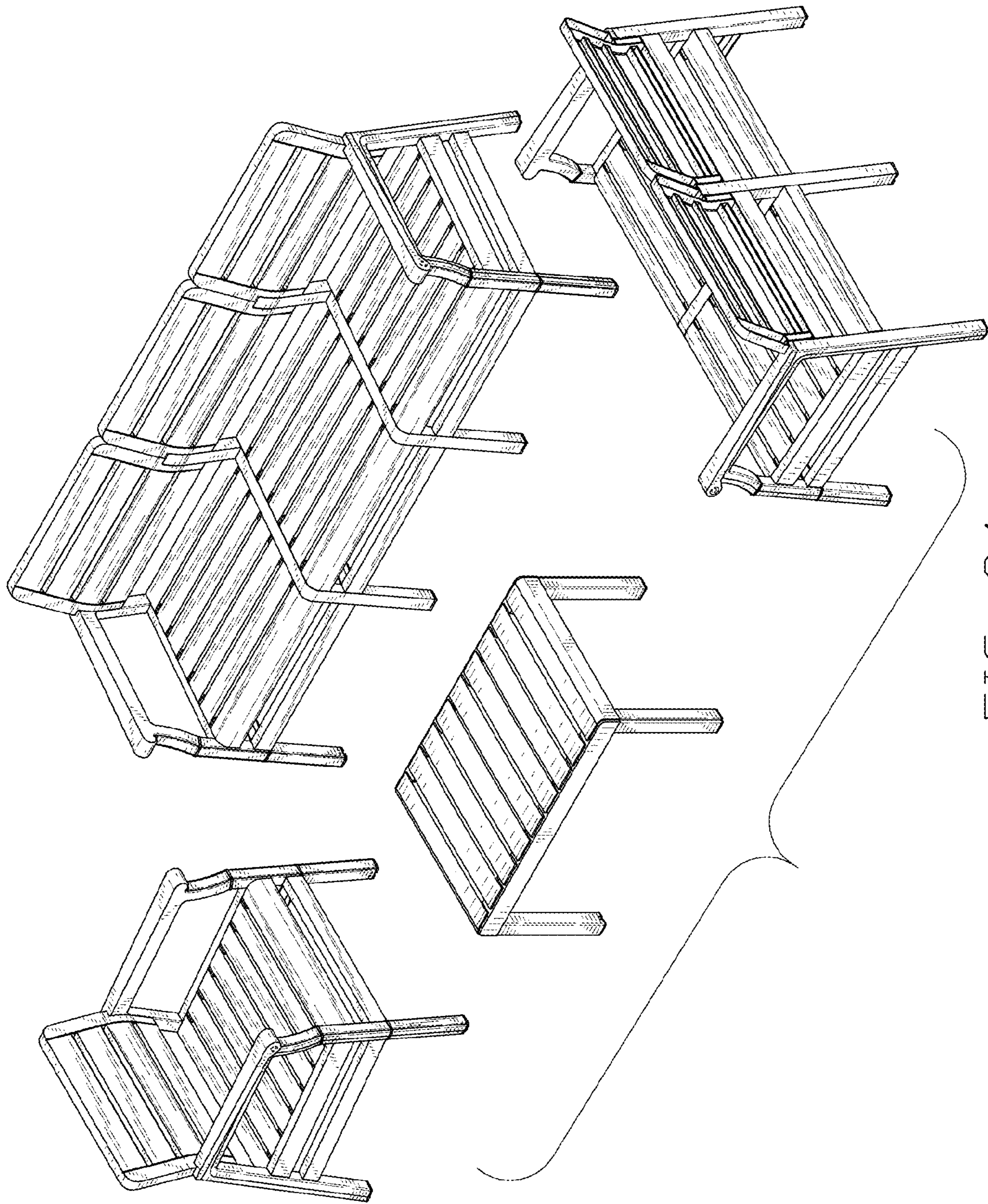


FIG. 24