



US00D953763S

(12) **United States Design Patent**
Velez

(10) **Patent No.:** **US D953,763 S**
(45) **Date of Patent:** **** Jun. 7, 2022**

(54) **CHAIR**

- (71) Applicant: **HOLLY HUNT ENTERPRISES, INC.**, Chicago, IL (US)
- (72) Inventor: **Alberto Velez**, Chicago, IL (US)
- (73) Assignee: **HOLLY HUNT ENTERPRISES, INC.**
- (**) Term: **15 Years**
- (21) Appl. No.: **29/714,822**
- (22) Filed: **Nov. 26, 2019**
- (51) **LOC (13) Cl.** **06-01**
- (52) **U.S. Cl.**
USPC **D6/369**
- (58) **Field of Classification Search**
USPC D6/369, 370, 333-334, 371, 372, 376,
D6/375, 377, 378, 379, 380, 373, 374
CPC .. A47C 5/02; A47C 5/08; A47C 7/004; A61H
2201/0149
See application file for complete search history.

(56) **References Cited**

U.S. PATENT DOCUMENTS

1,467,147	A	9/1923	Ettner	
D249,410	S *	9/1978	Dranger	D6/369
D266,639	S *	10/1982	Thorpe	D6/369
D286,471	S *	11/1986	Solloway	D6/333
D342,167	S *	12/1993	Hess	D6/370
D416,699	S	11/1999	Schwartz et al.	
D422,422	S *	4/2000	Black	D6/334
D493,988	S *	8/2004	Lawson	D6/369
D515,833	S *	2/2006	Singer	D6/370
D644,846	S *	9/2011	Ciani	D6/334
D663,966	S	7/2012	Lenney	
D682,574	S *	5/2013	Pedersen	D6/373
D700,786	S *	3/2014	Yeung	D6/333
D764,202	S	8/2016	Kirar	
D854,847	S *	7/2019	Ho	D6/369

(Continued)

OTHER PUBLICATIONS

Milano Rope Club Chair, available in patioproductions.com, published Jun. 8, 2019 Year 2019 [online], Retrieved on Oct. 25, 2021 from URL: <https://www.patioproductions.com/milano-club-chair-4101-21.html> (Year: 2019).*

(Continued)

Primary Examiner — Vy N Koenig
Assistant Examiner — Michelle M Reeves

(74) *Attorney, Agent, or Firm* — The Belles Group, P.C.

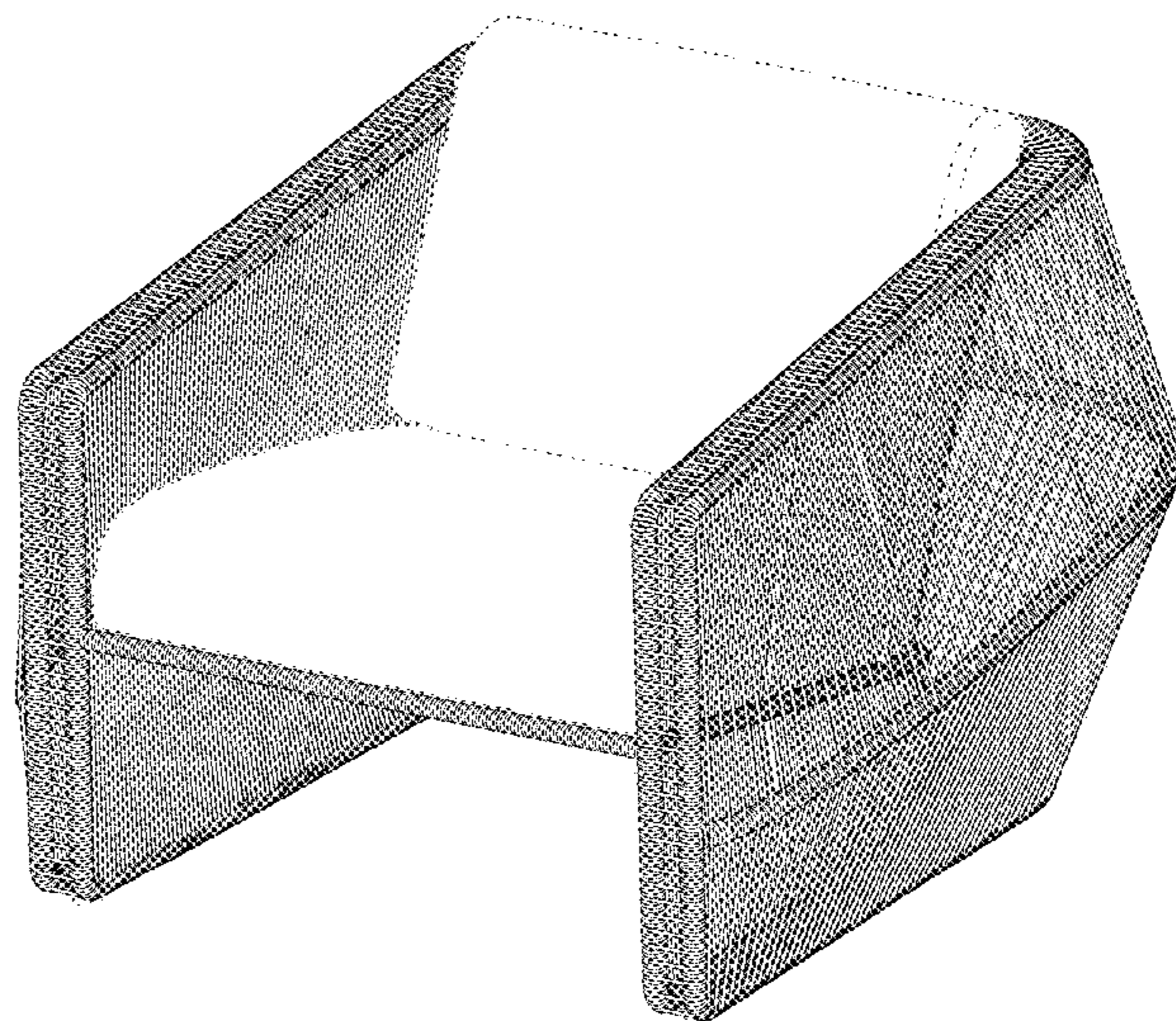
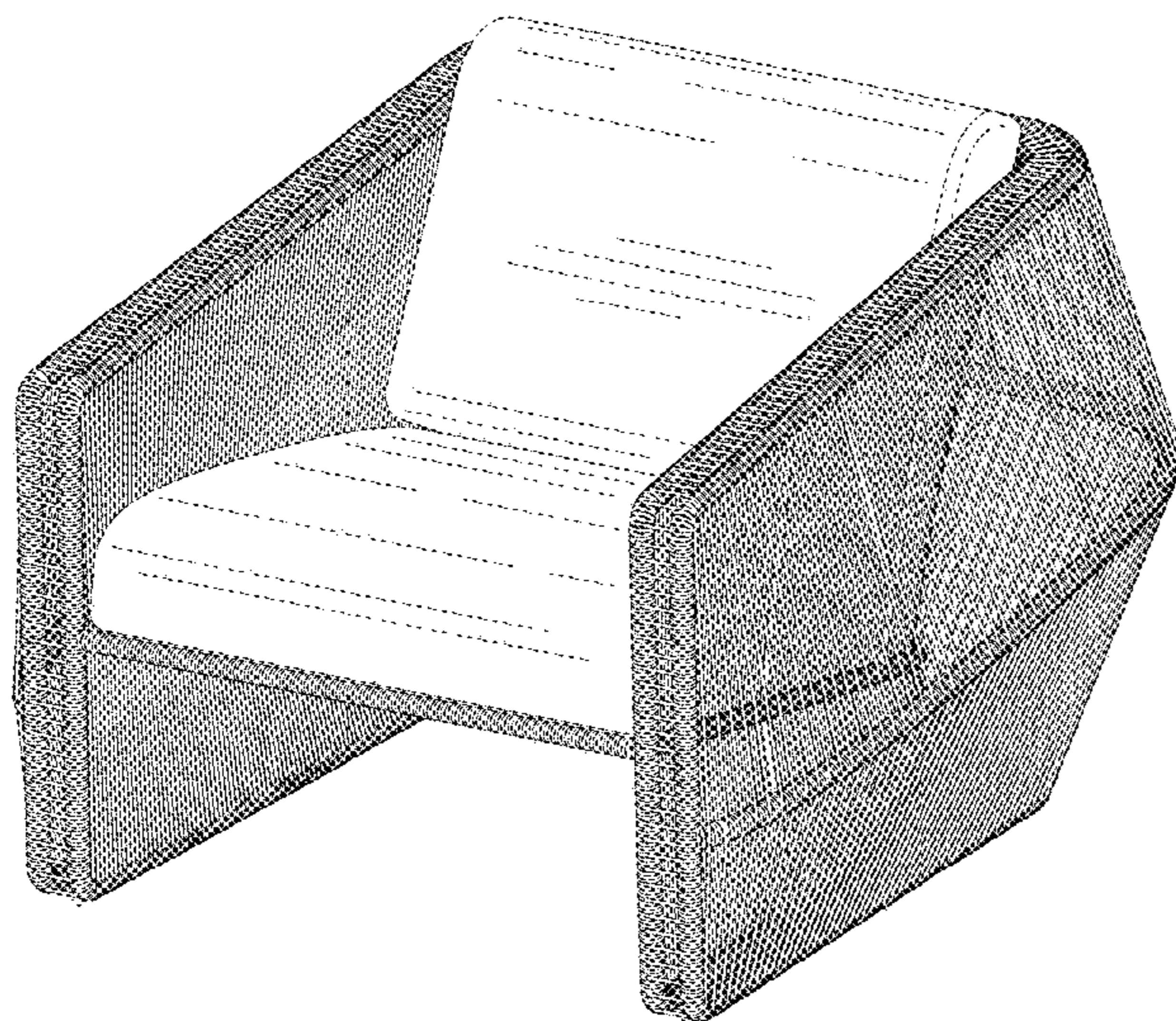
(57) **CLAIM**

The ornamental design for a chair, as shown and described.

DESCRIPTION

FIG. 1 is a front perspective view of a chair according to a first embodiment of the new design;
 FIG. 2 is a rear perspective view thereof;
 FIG. 3 is a front view thereof;
 FIG. 4 is a rear view thereof;
 FIG. 5 is a right side view thereof;
 FIG. 6 is a left side view thereof;
 FIG. 7 is a top view thereof;
 FIG. 8 is a bottom view thereof;
 FIG. 9 is a front perspective view of a chair according to a second embodiment of the new design;
 FIG. 10 is a rear perspective view thereof;
 FIG. 11 is a front view thereof;
 FIG. 12 is a rear view thereof;
 FIG. 13 is a right side view thereof;
 FIG. 14 is a left side view thereof;
 FIG. 15 is a top view thereof; and,
 FIG. 16 is a bottom view thereof.
 The broken lines in the drawings illustrate portions of the chair that form no part of the claimed design.

1 Claim, 16 Drawing Sheets



(56)

References Cited

U.S. PATENT DOCUMENTS

D888,452 S	*	6/2020	Koopthavonrerk	D6/369
D897,713 S	*	10/2020	White, III	D6/369
D919,998 S	*	5/2021	Velez	D6/374
D927,878 S	*	8/2021	Velez	D6/369

OTHER PUBLICATIONS

Scarab Lounge Chair, available in facebook.com, published Mar. 31, 2020 Year 2020 [online], Retrieved on Oct. 26, 2021 from URL: <https://www.facebook.com/HOLLYHUNTDesign/photos/a.2430553017017846/3610309865708816/?type=3&theater> (Year: 2020).*

Holly Hunt website, <https://www.hollyhunt.com/ShowProduct.aspx?ProductID=4925&ManufacturerID=1>, retrieved Nov. 26, 2019, pp. 1.

Holly Hunt website, <https://www.hollyhunt.com/ShowProduct.aspx?ProductID=21771&ManufacturerID=1>, retrieved Nov. 26, 2019, pp. 1.

Holly Hunt website, <https://www.hollyhunt.com/ShowProduct.aspx?ProductID=13068&ManufacturerID=39>, retrieved Nov. 26, 2019, pp. 1.

Holly Hunt website, <https://www.hollyhunt.com/ShowProduct.aspx?ProductID=13104&ManufacturerID=39>, retrieved Nov. 26, 2019, pp. 1.

World Market website, <https://www.worldmarket.com/product/charcoal-gray-string-durban-outdoor-dining-chair.do>, retrieved Nov. 26, 2019, pp. 1-6.

Rooms To Go website, <https://www.roomstogo.com/furniture/outdoor-patio/seating/chairs>, retrieved Nov. 26, 2019, pp. 1-3.

LexMod website, <https://www.lexmod.com/outdoor/outdoor-chairs/aura-rattan-outdoor-patio-armchair/>, retrieved Nov. 26, 2019, pp. 1-4.

World Market website, <https://www.worldmarket.com/product/handwoven-rattan-and-kubu-roll-arm-calida-chair.do>, retrieved Nov. 26, 2019, pp. 1-7.

* cited by examiner

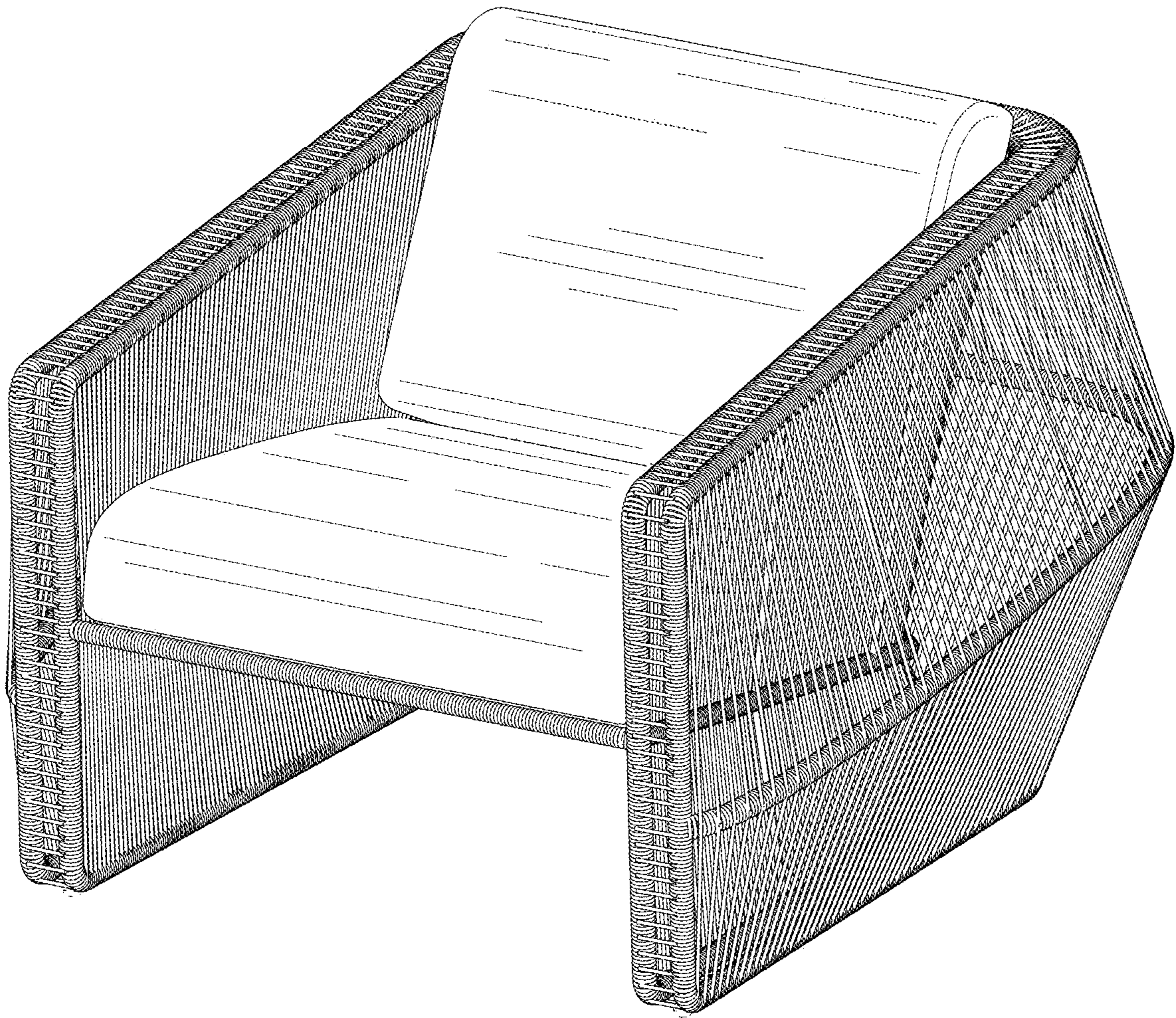


FIG. 1

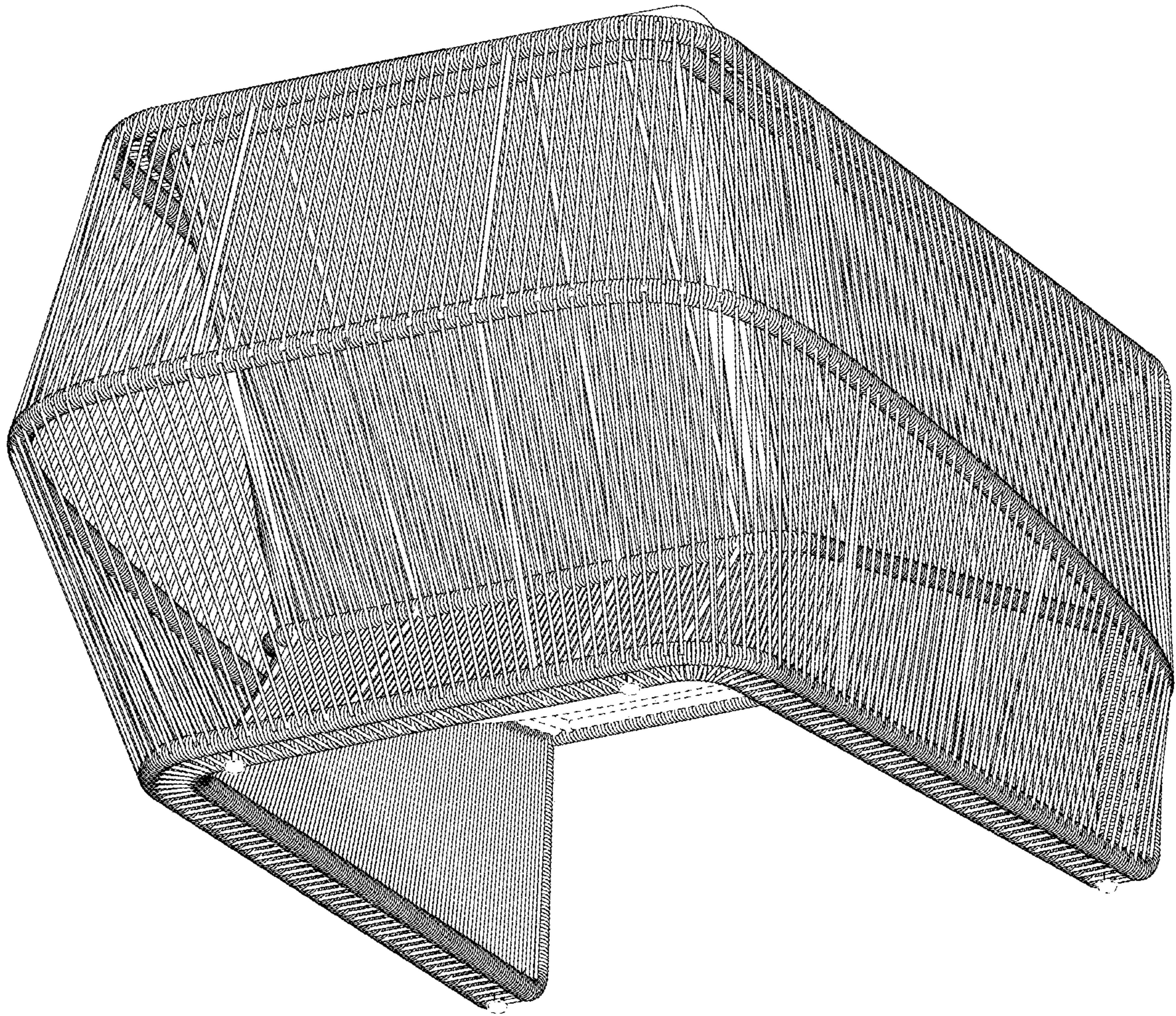


FIG. 2

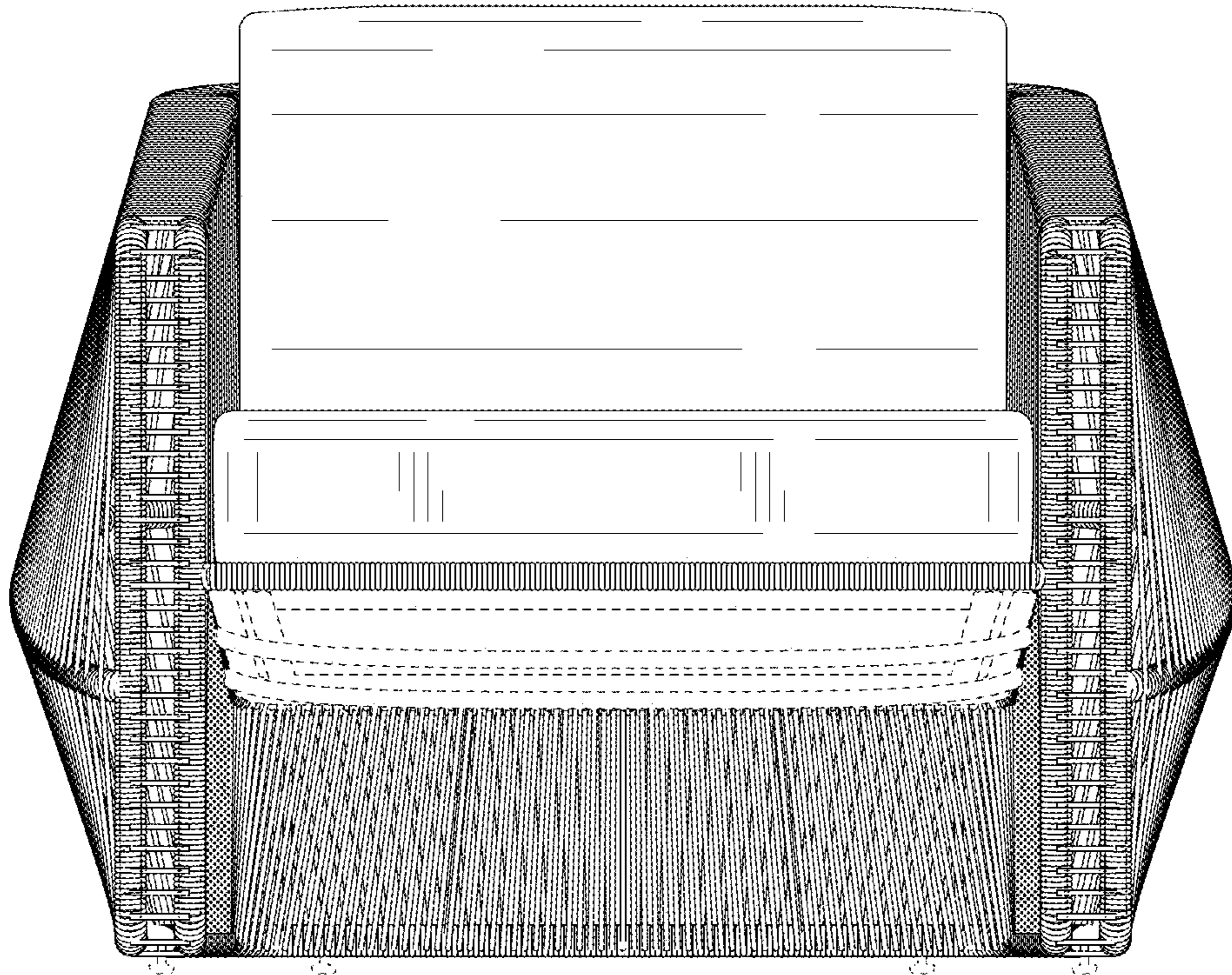


FIG. 3

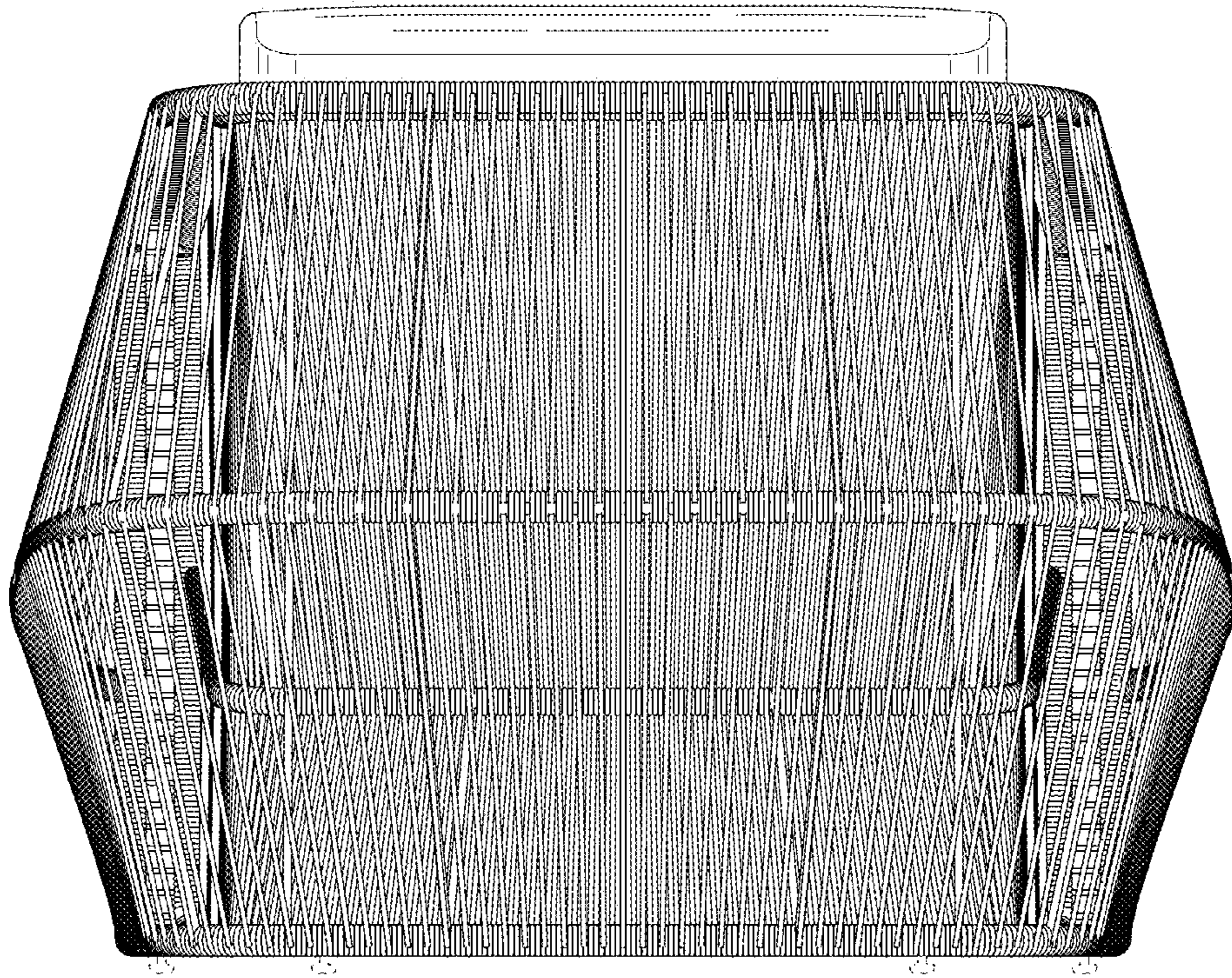


FIG. 4

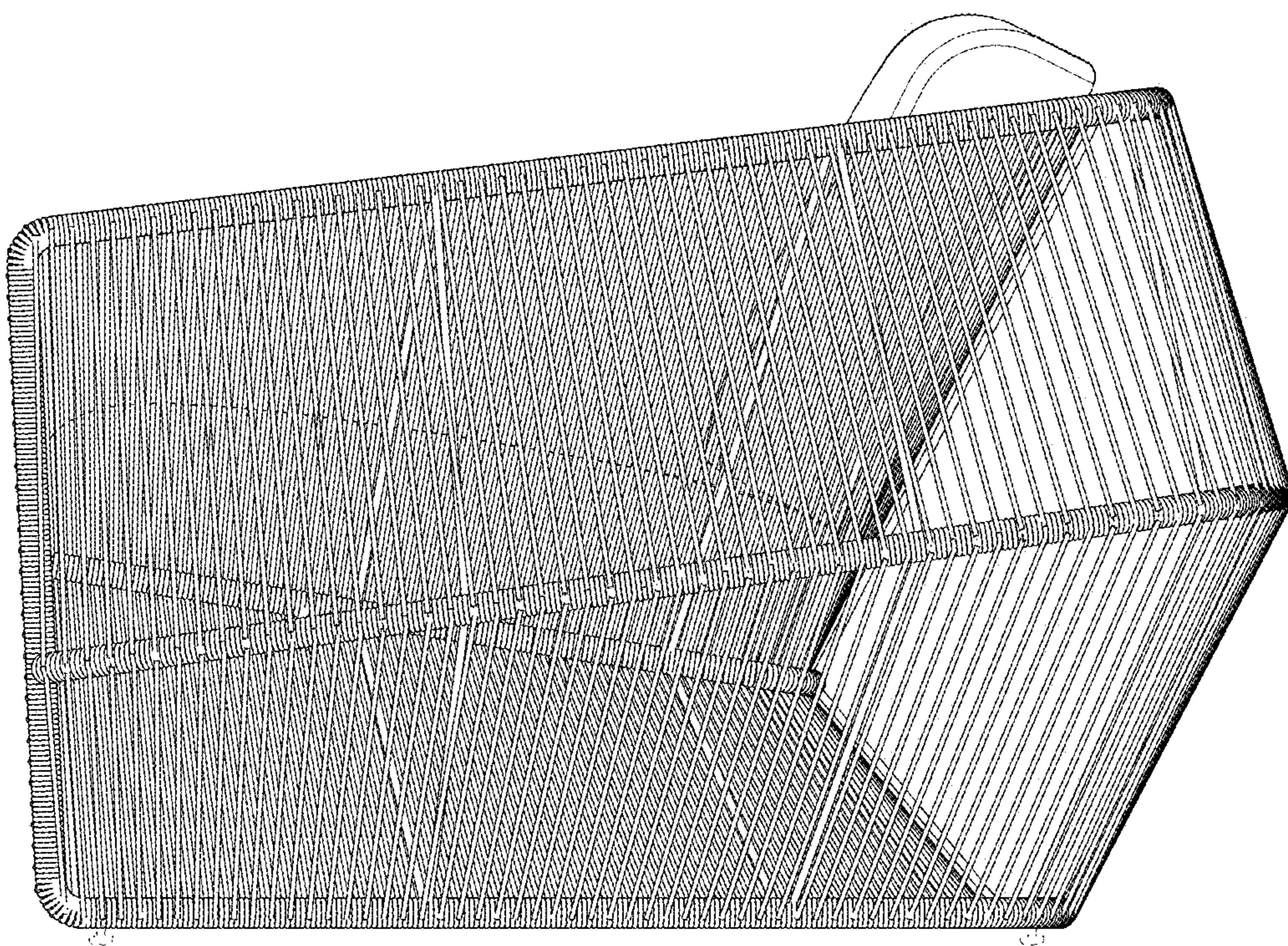


FIG. 5

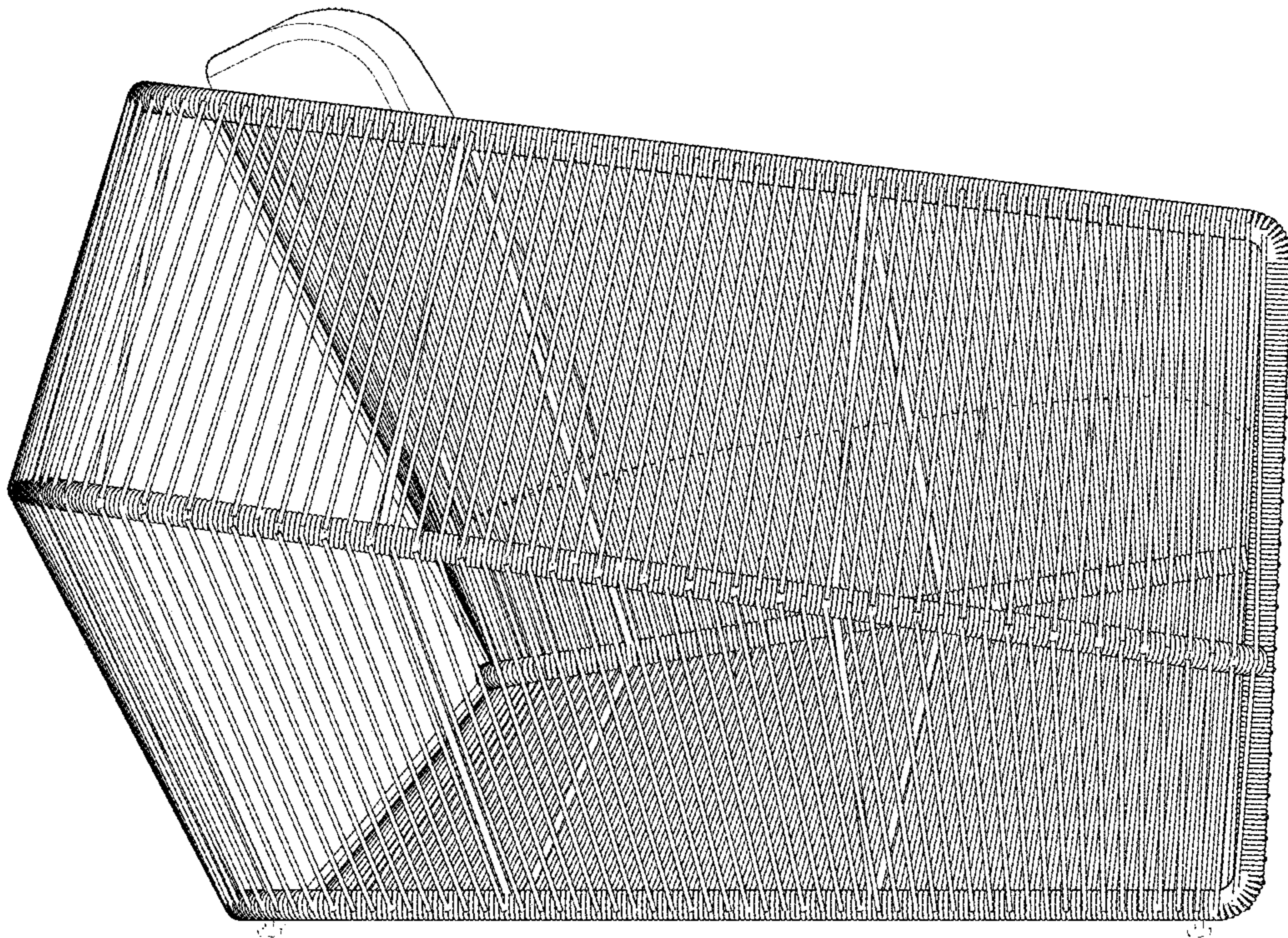


FIG. 6

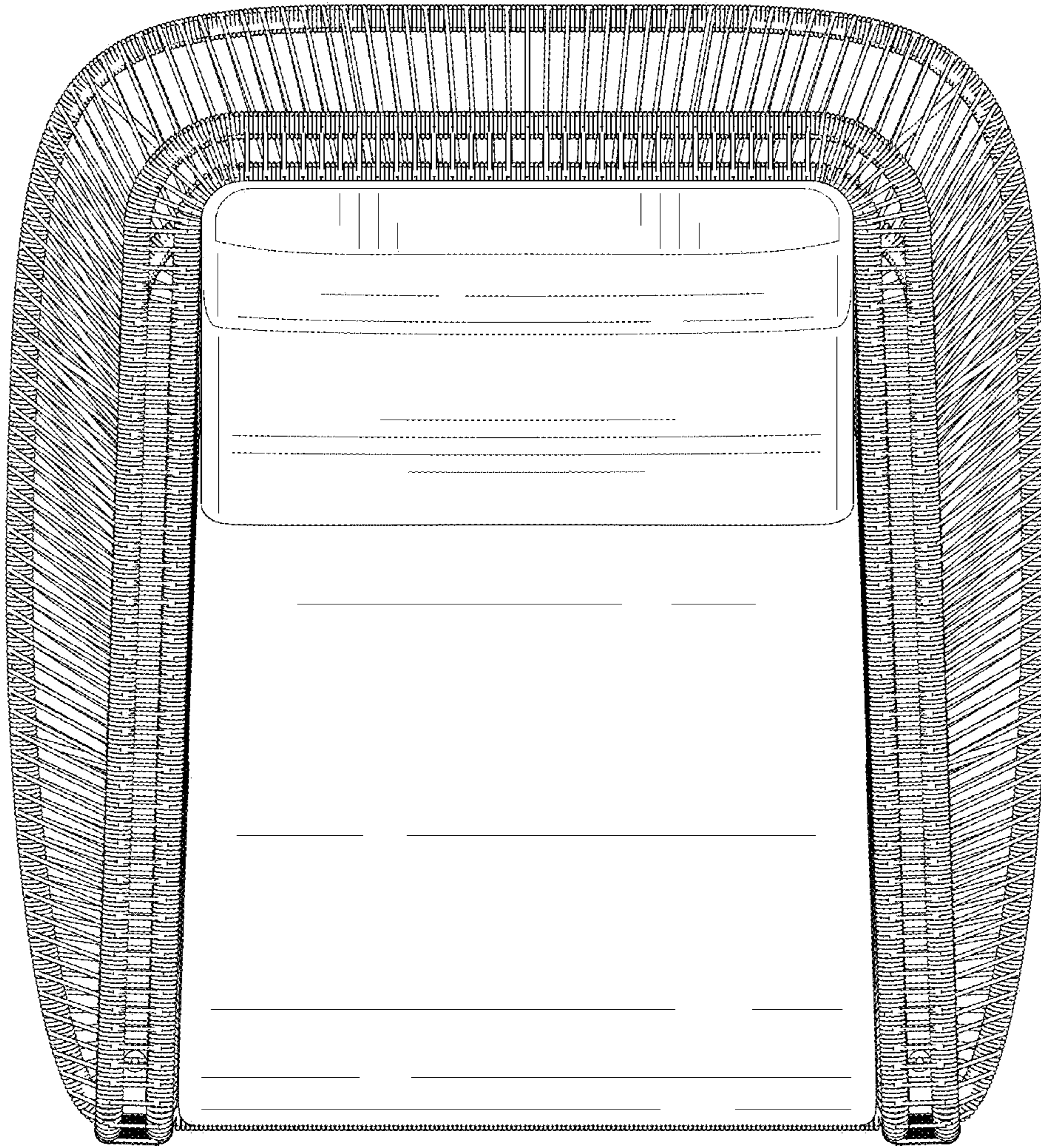


FIG. 7

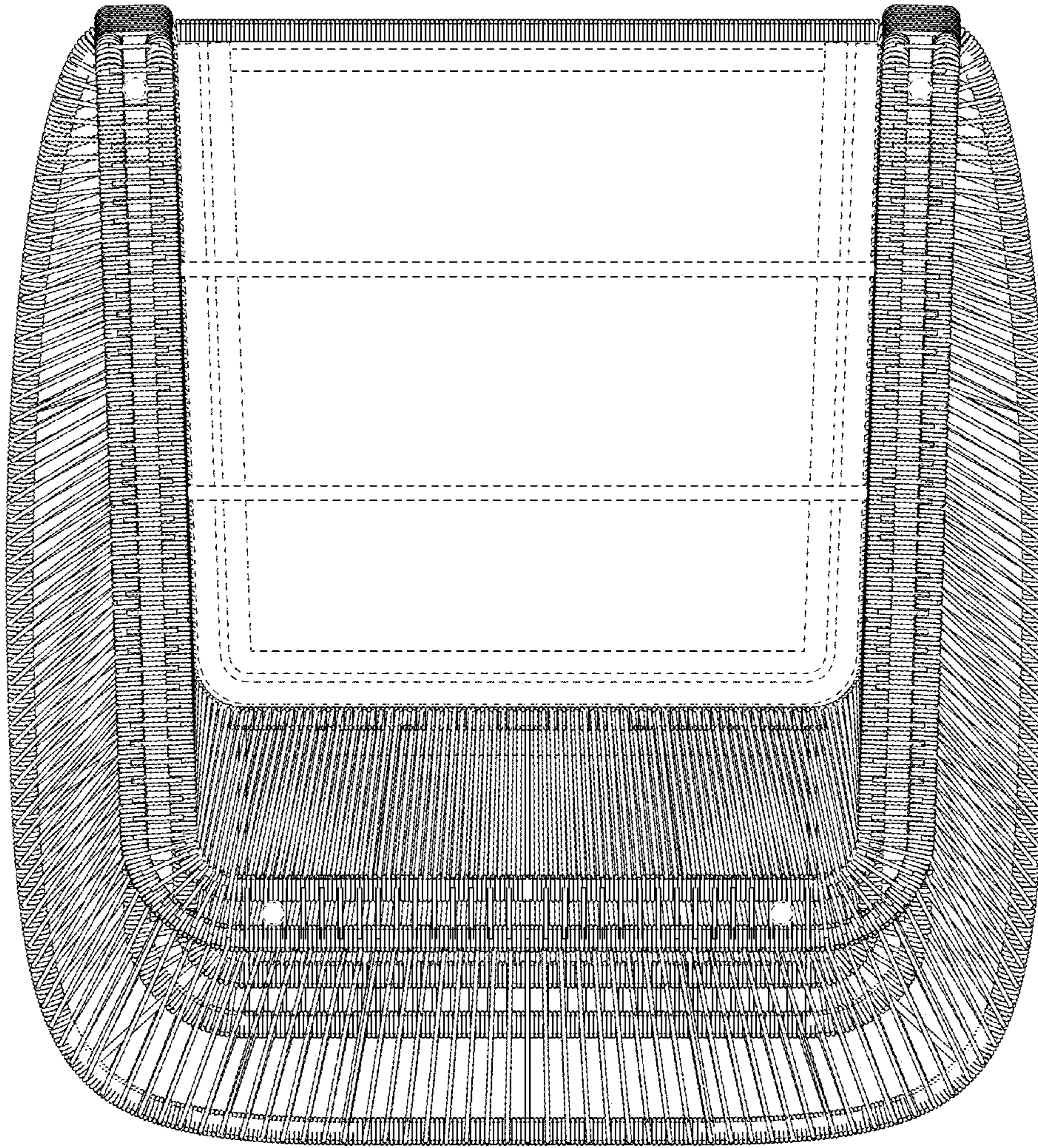


FIG. 8

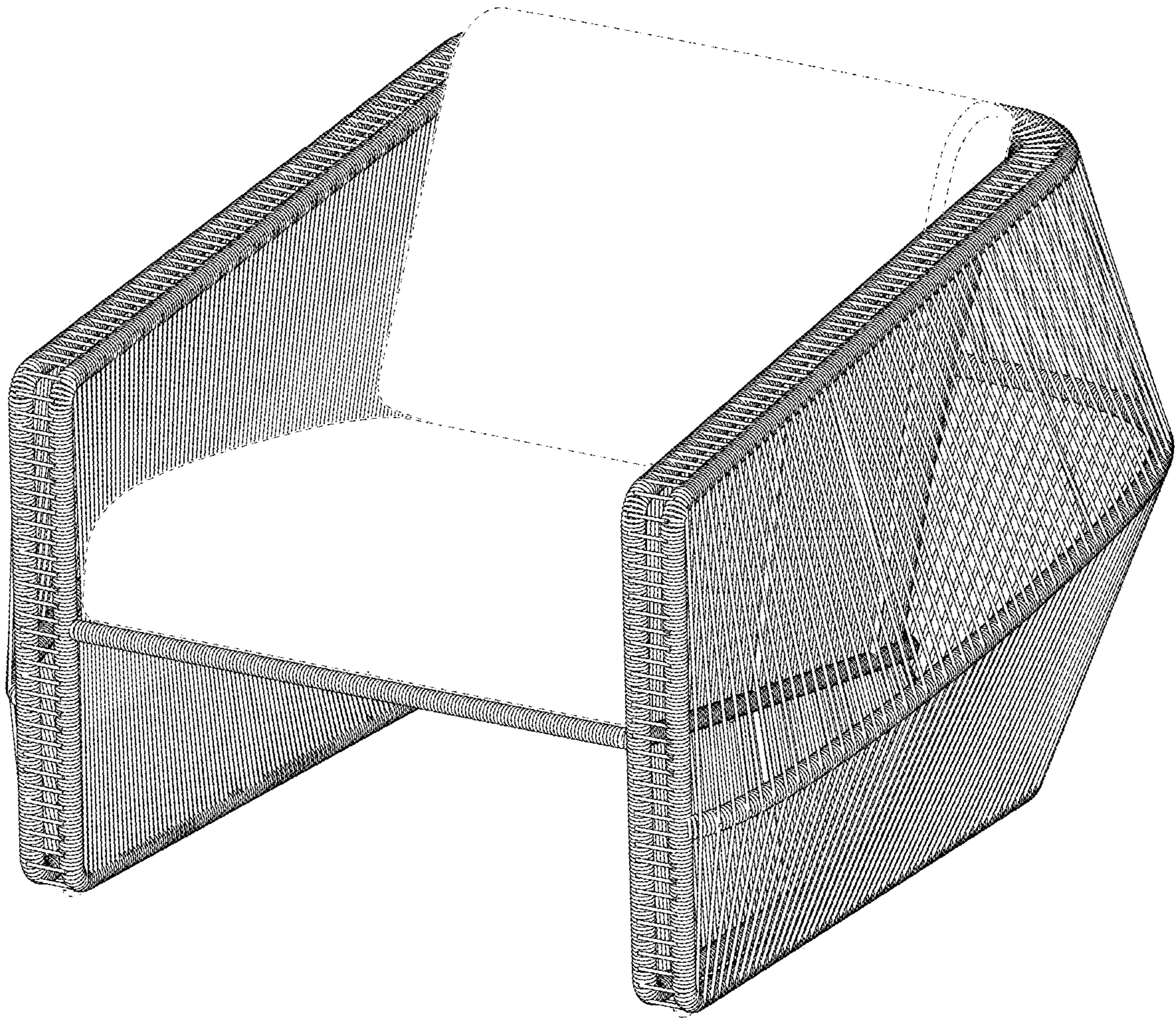


FIG. 9

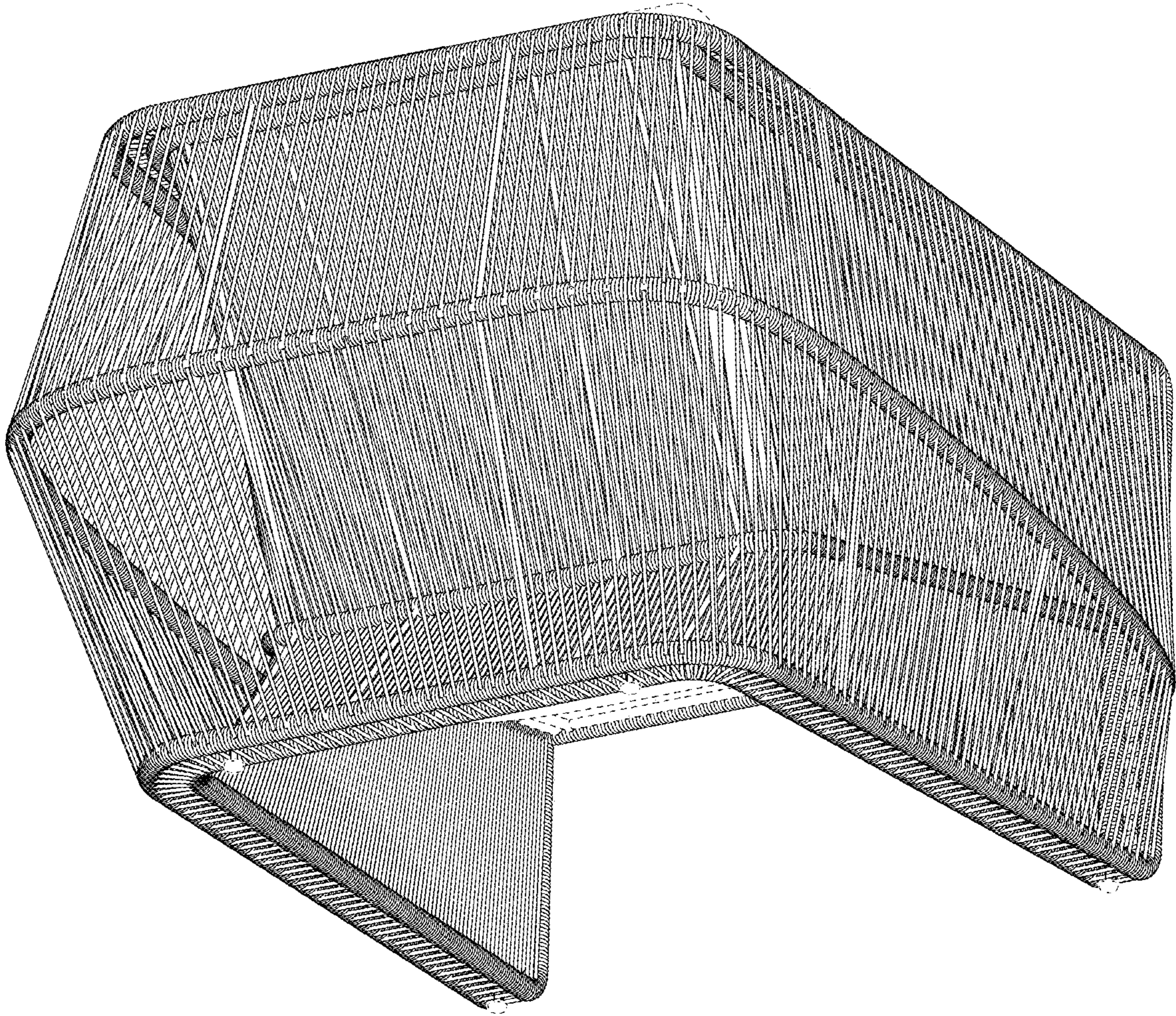


FIG. 10

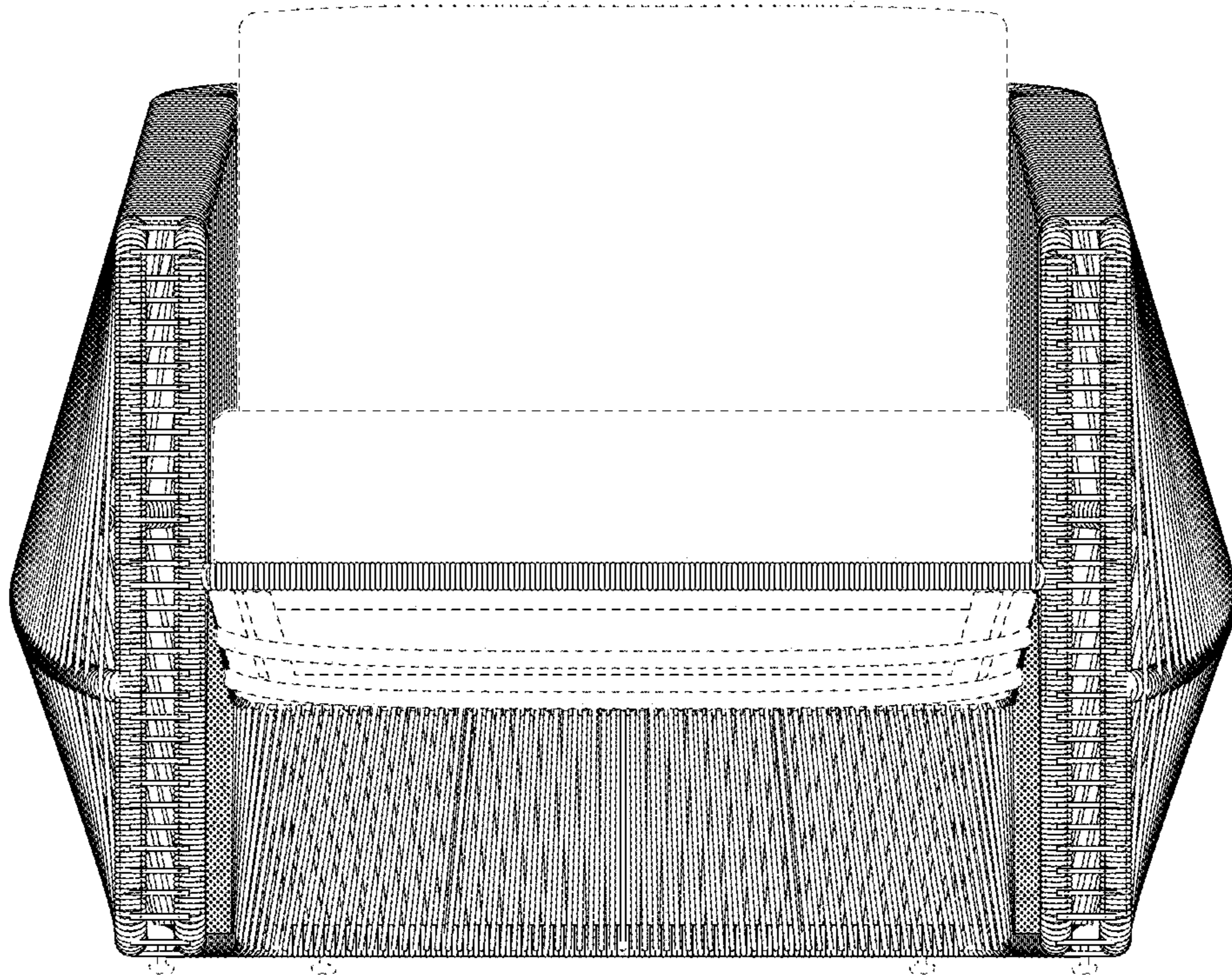


FIG. 11

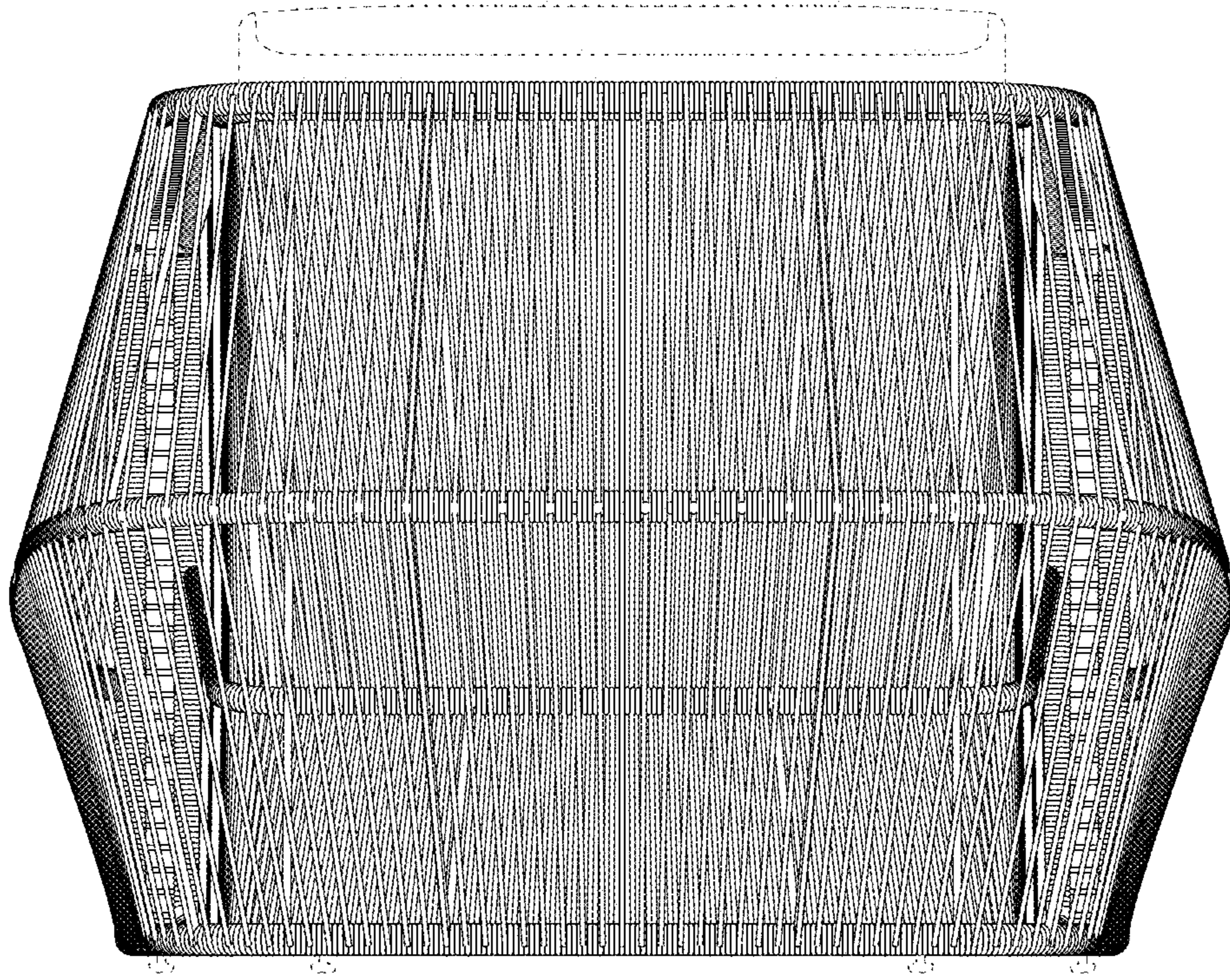


FIG. 12

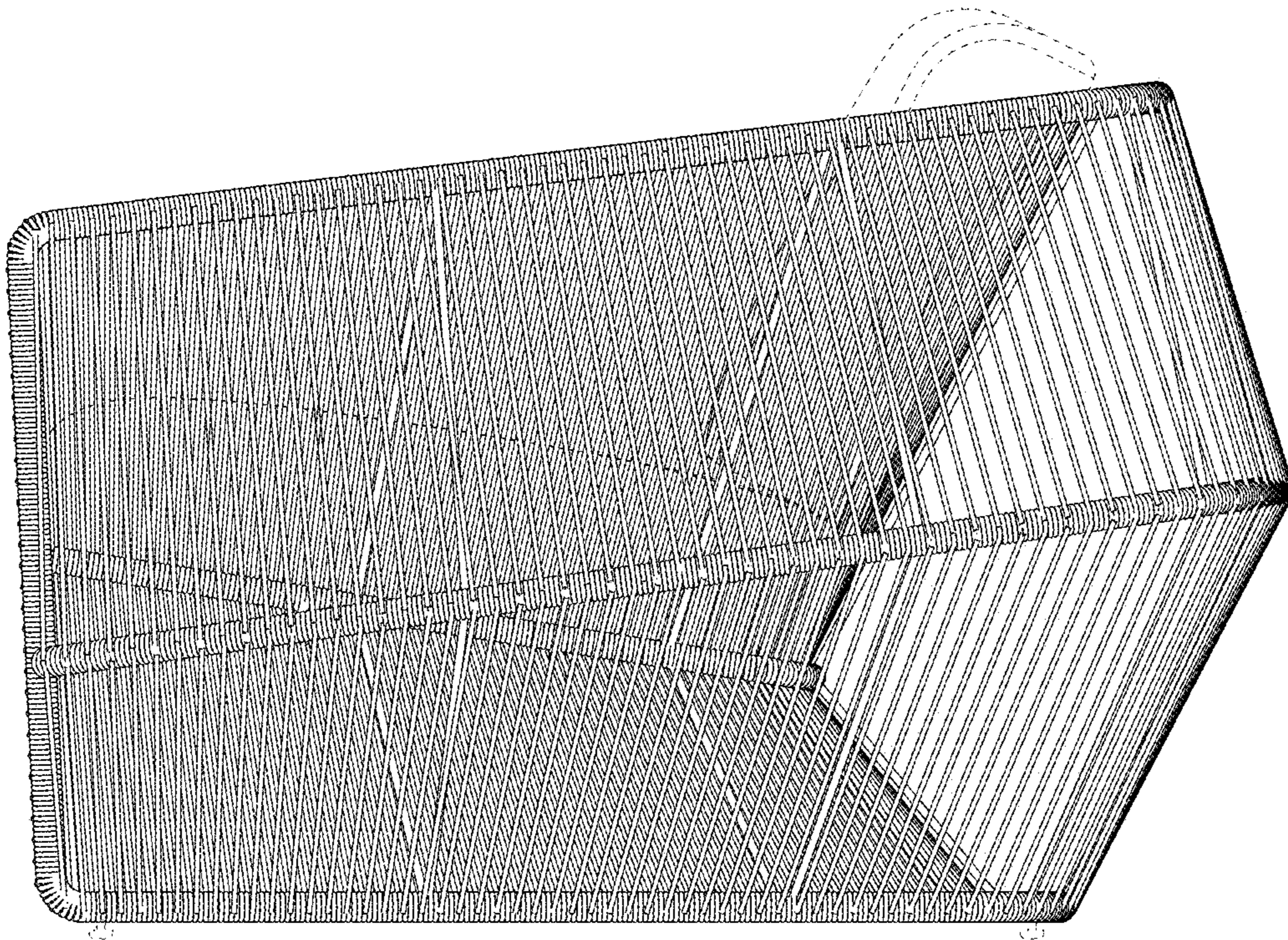


FIG. 13

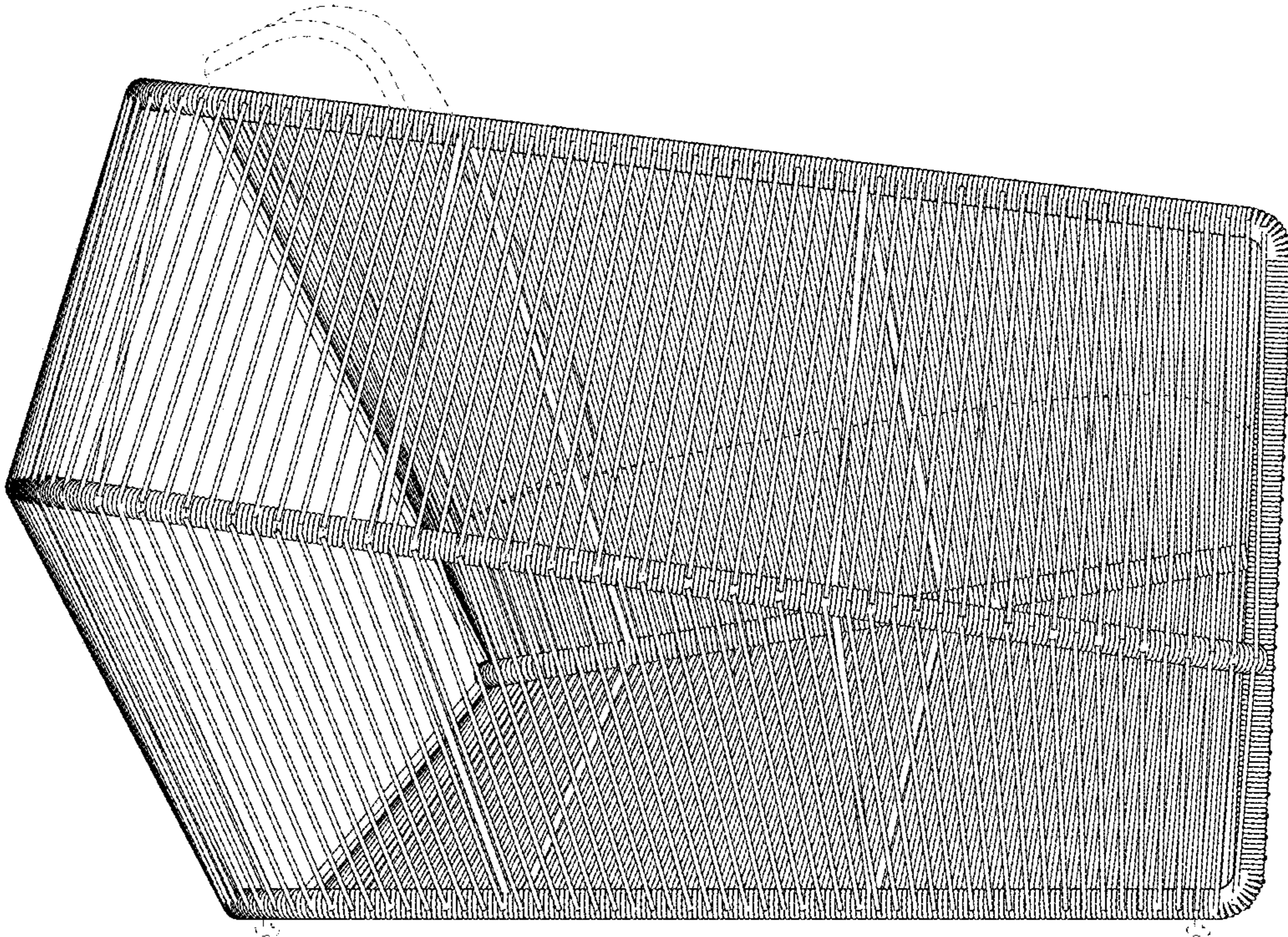


FIG. 14

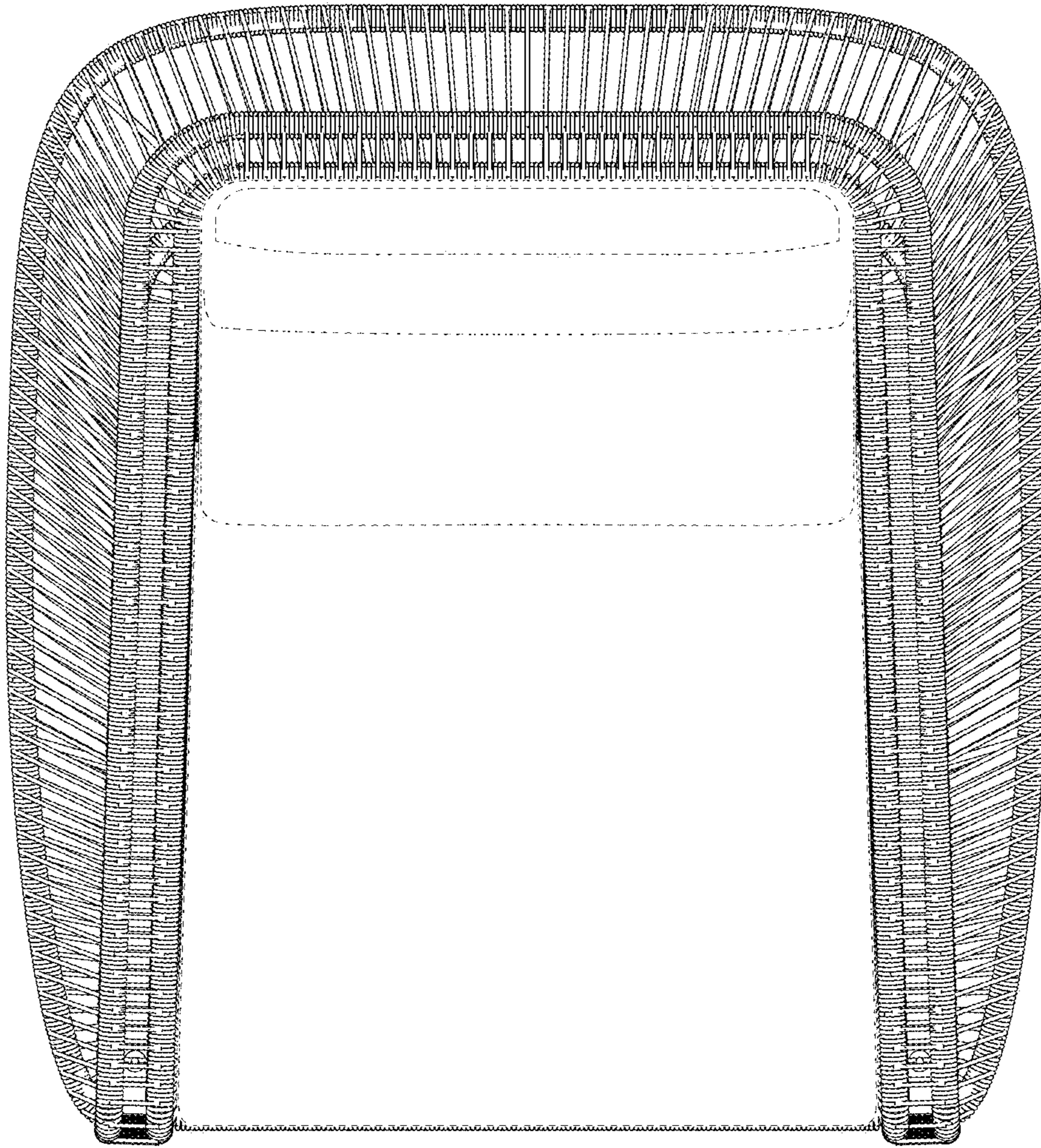


FIG. 15

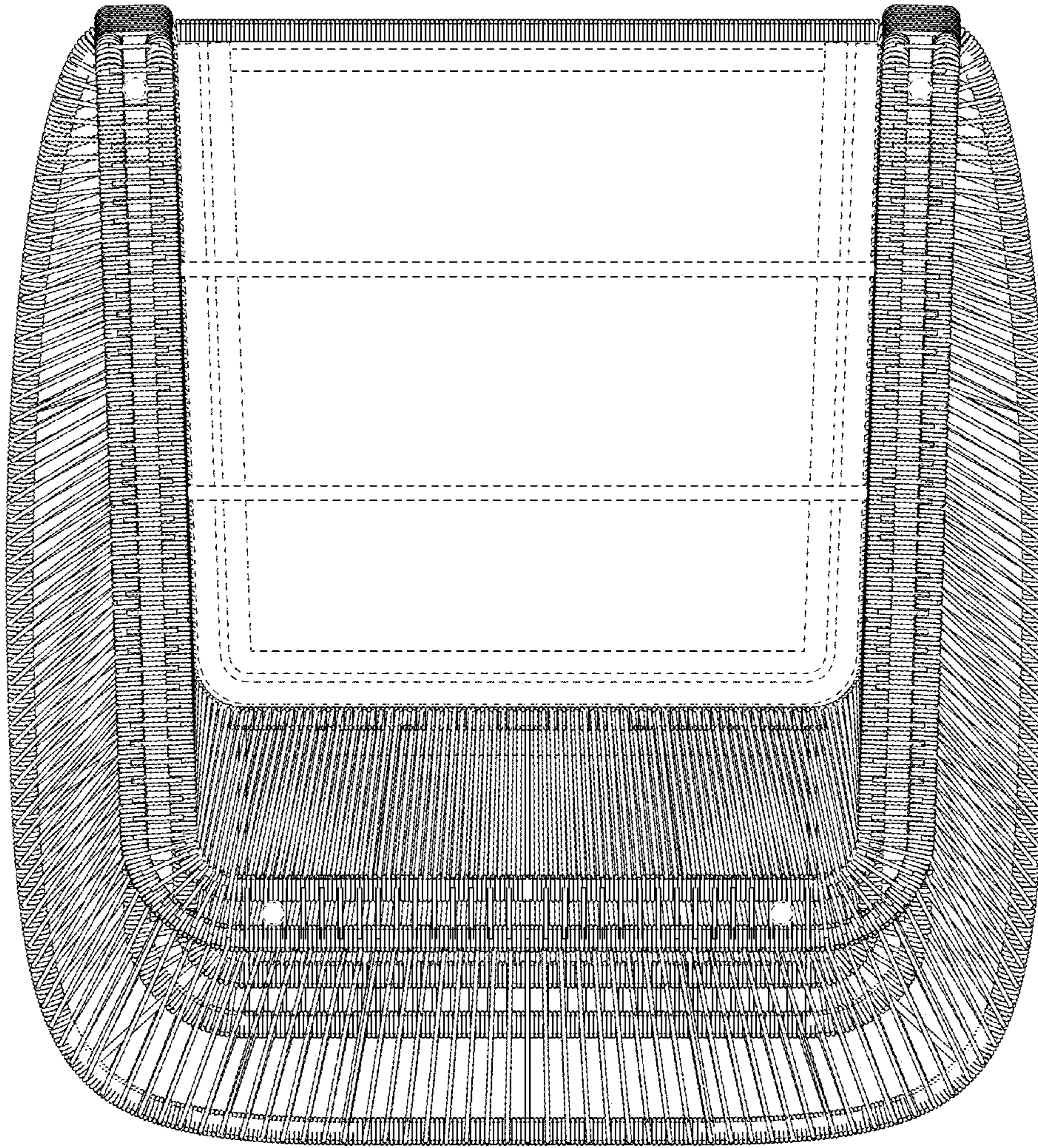


FIG. 16