



US00D953756S

(12) **United States Design Patent**
Ho et al.

(10) **Patent No.:** **US D953,756 S**
(45) **Date of Patent:** **** Jun. 7, 2022**

- (54) **PLASTIC HOOK FOR PAPER HANGER**
- (71) Applicant: **Sourcing Solutions International Limited**, Kowloon (HK)
- (72) Inventors: **Leung Ho**, Kowloon (HK); **Chi Man Leung**, Kowloon (HK); **Michael W. Dezelon**, Paradise Valley, AZ (US)
- (73) Assignee: **Sourcing Solutions International Limited**, Kowloon (HK)
- (**) Term: **15 Years**
- (21) Appl. No.: **29/775,576**
- (22) Filed: **Mar. 24, 2021**
- (51) **LOC (13) Cl.** **06-08**
- (52) **U.S. Cl.**
USPC **D6/328**
- (58) **Field of Classification Search**
USPC D6/315-328; D9/455
CPC ... A47F 5/0006; A47F 5/0876; B65D 5/4208;
B65D 31/04; B65D 33/14; B65D 75/56
See application file for complete search history.

(56) **References Cited**

U.S. PATENT DOCUMENTS

3,310,272	A *	3/1967	Brunger	B65D 85/18 211/113
D245,748	S *	9/1977	Ostroll	D6/315
4,943,026	A *	7/1990	Fildan	B65D 25/22 24/561
5,085,358	A *	2/1992	Lam	A47G 25/442 223/89
5,261,580	A *	11/1993	Smith	A47G 25/483 223/DIG. 2
5,735,395	A *	4/1998	Lo	B65D 33/1683 383/68
7,703,735	B2 *	4/2010	Fryer	A47F 5/0006 24/372

8,302,926	B2 *	11/2012	Gouldson	B65D 75/56 248/340
D755,529	S *	5/2016	Schlang	D8/367
D798,695	S *	10/2017	Davison	D8/367
D839,614	S *	2/2019	Ho	D6/328
D885,909	S *	6/2020	Franzone, Jr.	D9/455
11,019,951	B2 *	6/2021	Wright	A47G 25/4023
2005/0018931	A1 *	1/2005	Shrader	B65D 33/14 383/23
2011/0284597	A1 *	11/2011	Kaleta	A47G 25/4023 223/85
2012/0026453	A1 *	2/2012	Norman	A47F 7/0243 351/155
2013/0200113	A1 *	8/2013	Tashkin	A47G 25/40 223/85
2014/0252048	A1 *	9/2014	Mainetti	A47G 25/40 223/85

* cited by examiner

Primary Examiner — Lauren R Calve

(74) *Attorney, Agent, or Firm* — Schroeder Law PC

(57) **CLAIM**

The ornamental design for a plastic hook for paper hanger, as shown and described.

DESCRIPTION

FIG. 1 is a front perspective view of a plastic hook for paper hanger showing our new design;
 FIG. 2 is a rear perspective view thereof;
 FIG. 3 is an enlarged front elevation view thereof;
 FIG. 4 is an enlarged rear elevation view thereof;
 FIG. 5 is an enlarged right side elevation view thereof;
 FIG. 6 is an enlarged left side elevation view thereof;
 FIG. 7 is an enlarged top view thereof; and,
 FIG. 8 is an enlarged bottom view thereof.
 The broken lines shown represent portions of the plastic hook for paper hanger and environmental subject matter that form no part of the claimed design.

1 Claim, 6 Drawing Sheets



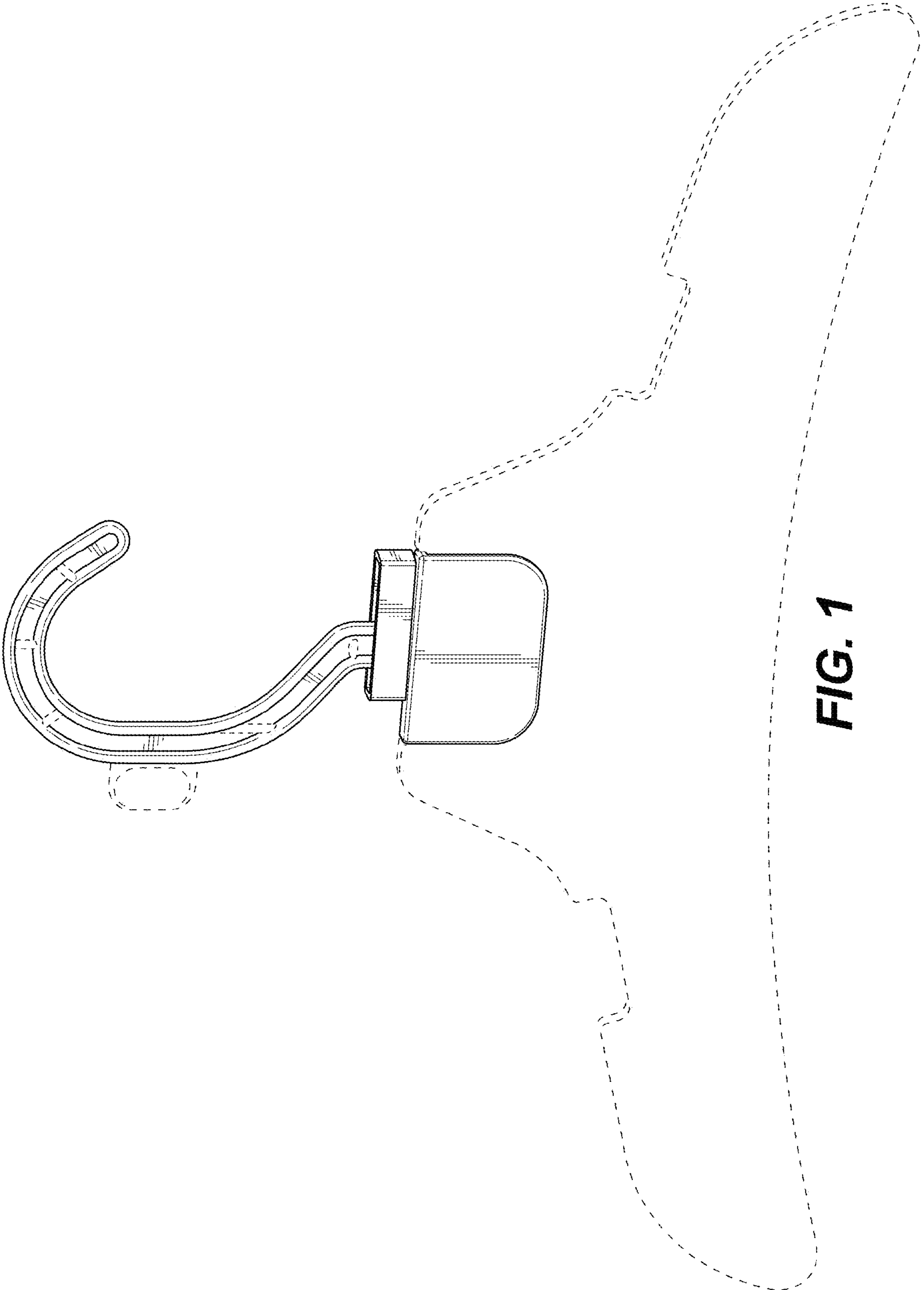


FIG. 1

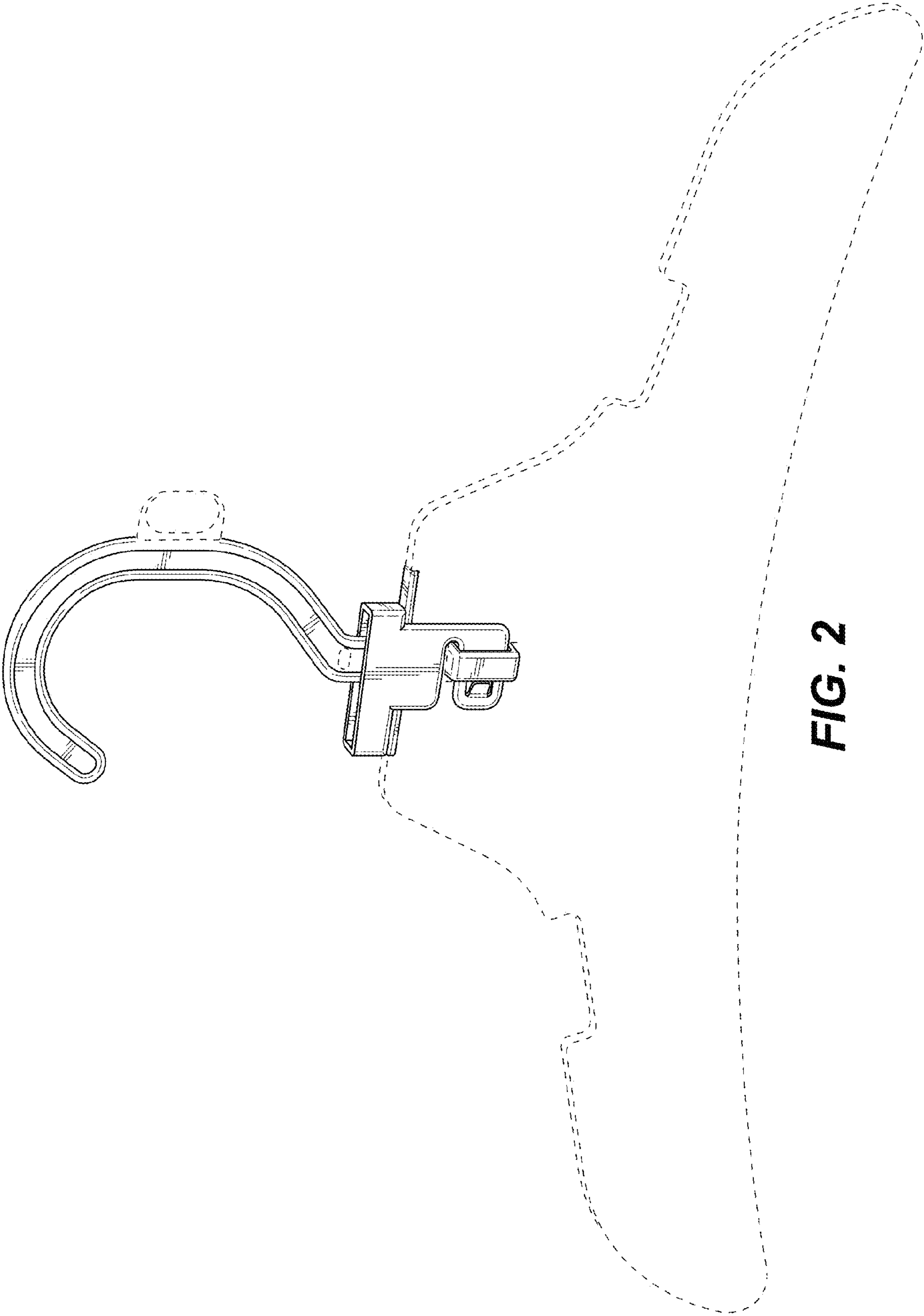


FIG. 2

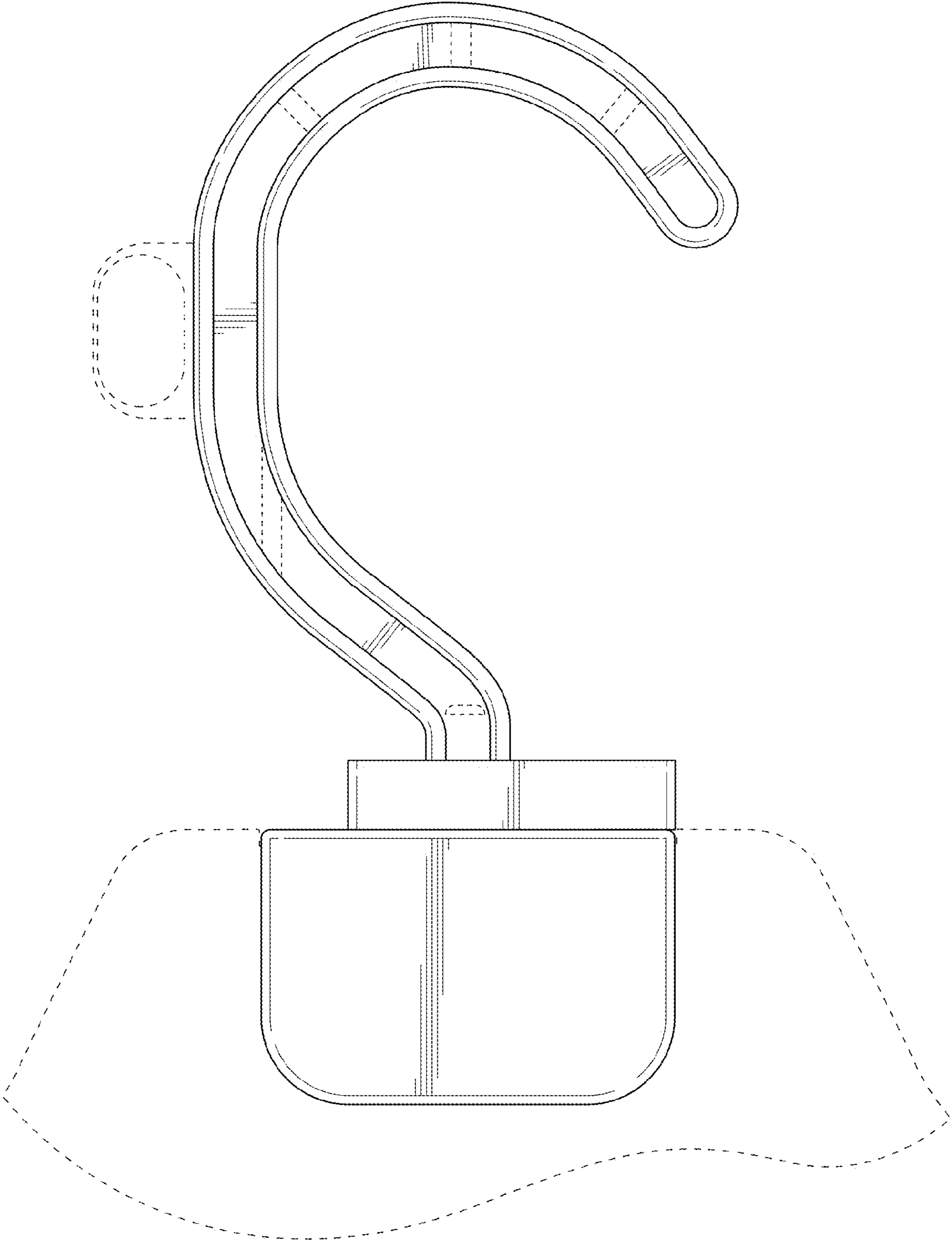


FIG. 3

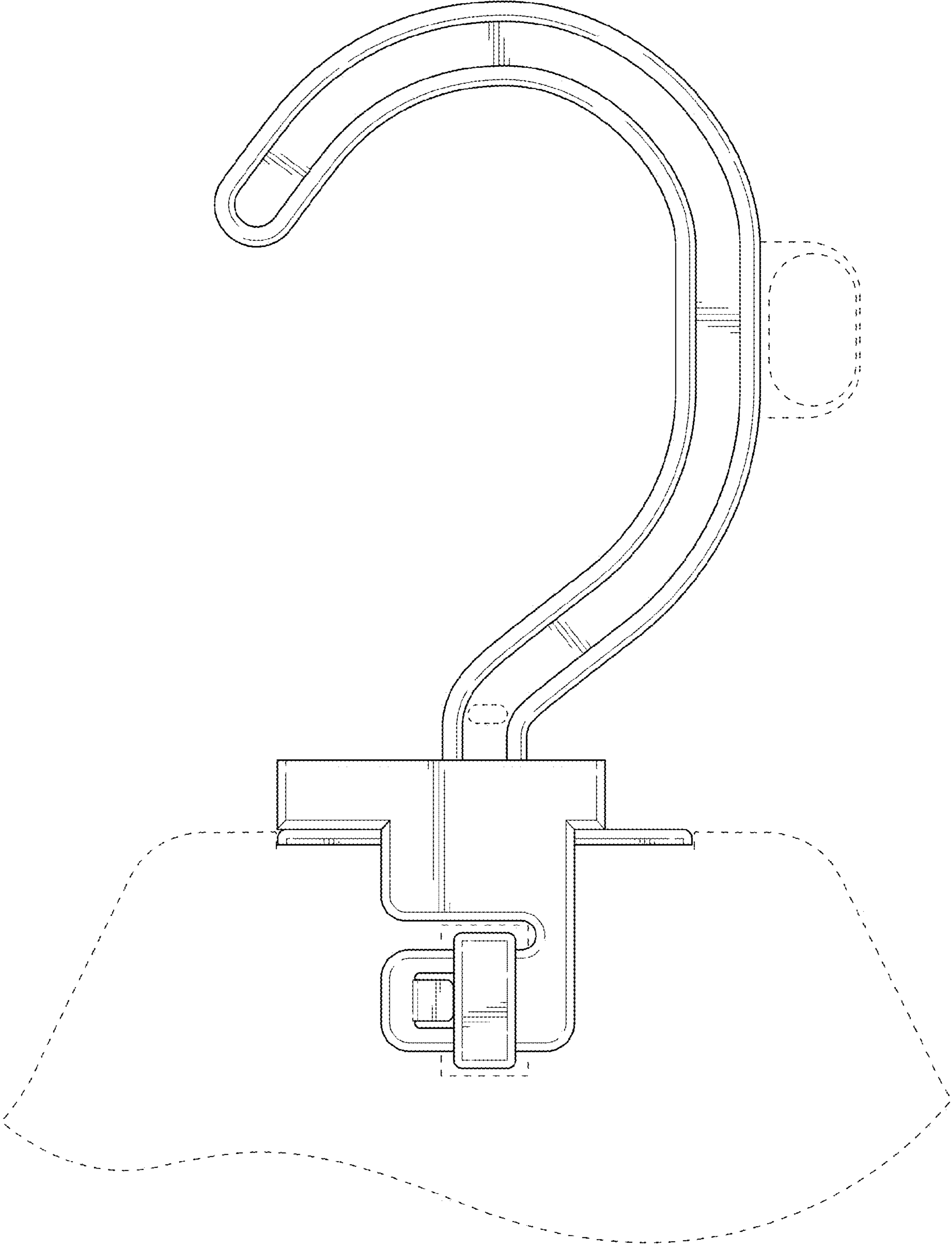


FIG. 4

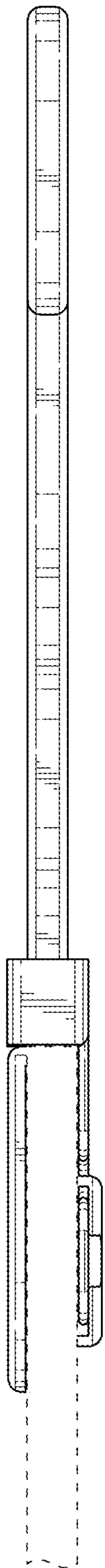


FIG. 5

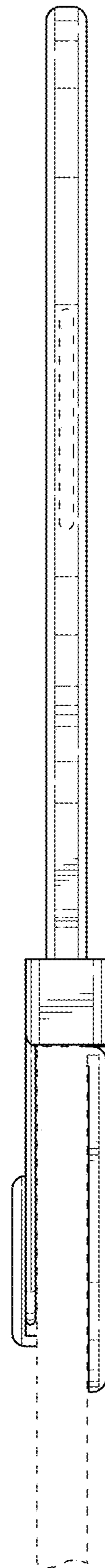


FIG. 6

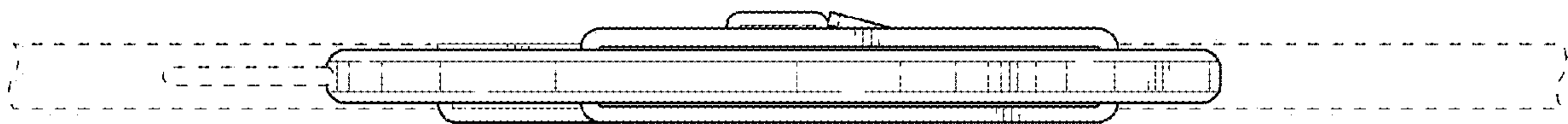


FIG. 7



FIG. 8