



US00D953755S

(12) **United States Design Patent**
Meng

(10) **Patent No.:** **US D953,755 S**
(45) **Date of Patent:** **** Jun. 7, 2022**

(54) **MIRROR**

FOREIGN PATENT DOCUMENTS

(71) Applicant: **Yuli Meng**, Jixi (CN)

CN 306807370 * 9/2021

(72) Inventor: **Yuli Meng**, Jixi (CN)

OTHER PUBLICATIONS

(**) Term: **15 Years**

Kali Magnifying Mirror [online], [site visited Mar. 7, 2022]. Available from internet, URL: <https://luminaire.com/products/kali-magnifying-mirror-doshi-levien?utm_campaign=gs-2021-10-06&utm_source=google&utm_medium=smart_campaign&gclid=Cj0KCQiA95aRBhCsARIsAC2xvfzKLMcXLq50Tbg8w1RHxxDmHxalRZwADf0xlqYAsEECr8f9r_QePn4aApwAEALw_wcB> (Year: 2022).*

(21) Appl. No.: **29/786,385**

(22) Filed: **May 31, 2021**

(51) **LOC (13) Cl.** **06-07**

(52) **U.S. Cl.**

USPC **D6/311**; D6/309

(58) **Field of Classification Search**

USPC D6/300, 301, 302, 303, 304, 307, 308,
D6/309, 310, 311, 312, 313, 314;
D16/135; D28/64.1-64.7

CPC A45D 42/00; A45D 42/10; A45D 42/16;
A45D 42/20; A45D 42/24; A47G 1/00;
A47G 1/02; A47G 1/04; A47G 1/0622;
B60J 3/0282

See application file for complete search history.

* cited by examiner

Primary Examiner — Cynthia Ramirez

Assistant Examiner — Xavier Marti-Santos

(57) **CLAIM**

The ornamental design for a mirror, as shown and described.

DESCRIPTION

FIG. 1 is a perspective view of a mirror showing my new design;

FIG. 2 is another perspective view thereof;

FIG. 3 is a front elevational view thereof;

FIG. 4 is a rear elevational view thereof;

FIG. 5 is a left side elevational view thereof;

FIG. 6 is a right side elevational view thereof;

FIG. 7 is a top plan view thereof;

FIG. 8 is a bottom plan view thereof; and,

FIG. 9 is a perspective view of the mirror where the mirror is in a configuration of use.

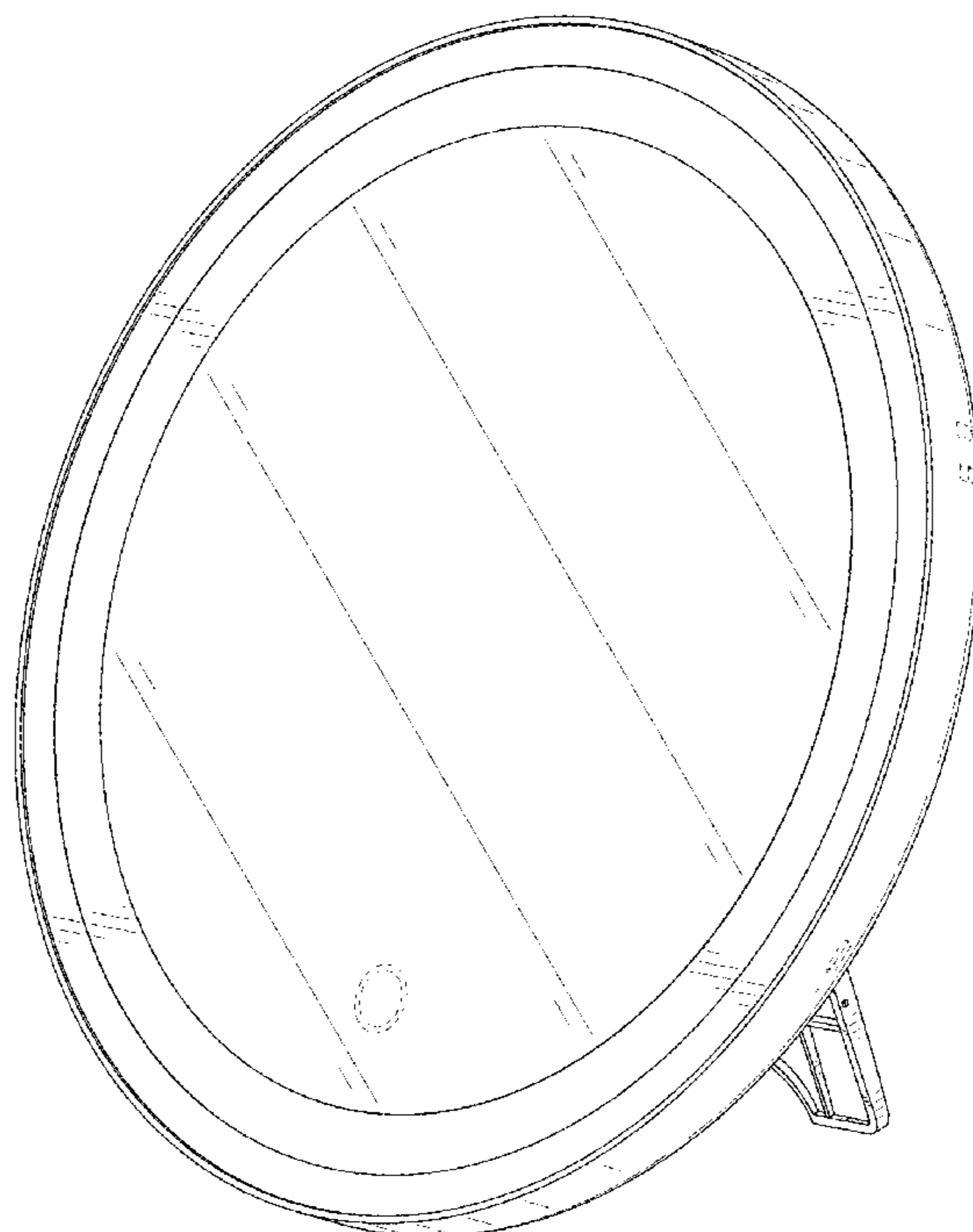
The broken lines in the drawings depict portions of the mirror that form no part of the claimed design.

(56) **References Cited**

U.S. PATENT DOCUMENTS

D267,218 S *	12/1982	Thompson	D6/309
D486,964 S *	2/2004	Prince	D6/310
D807,649 S *	1/2018	Zadro	D6/312
D848,158 S *	5/2019	Yang	D6/309
D880,171 S *	4/2020	Yang	D6/310
D899,107 S *	10/2020	Luo	D6/309
D919,981 S *	5/2021	Li	D6/309
D932,198 S *	10/2021	Sze	D6/309
D938,170 S *	12/2021	Liu	D6/309

1 Claim, 9 Drawing Sheets



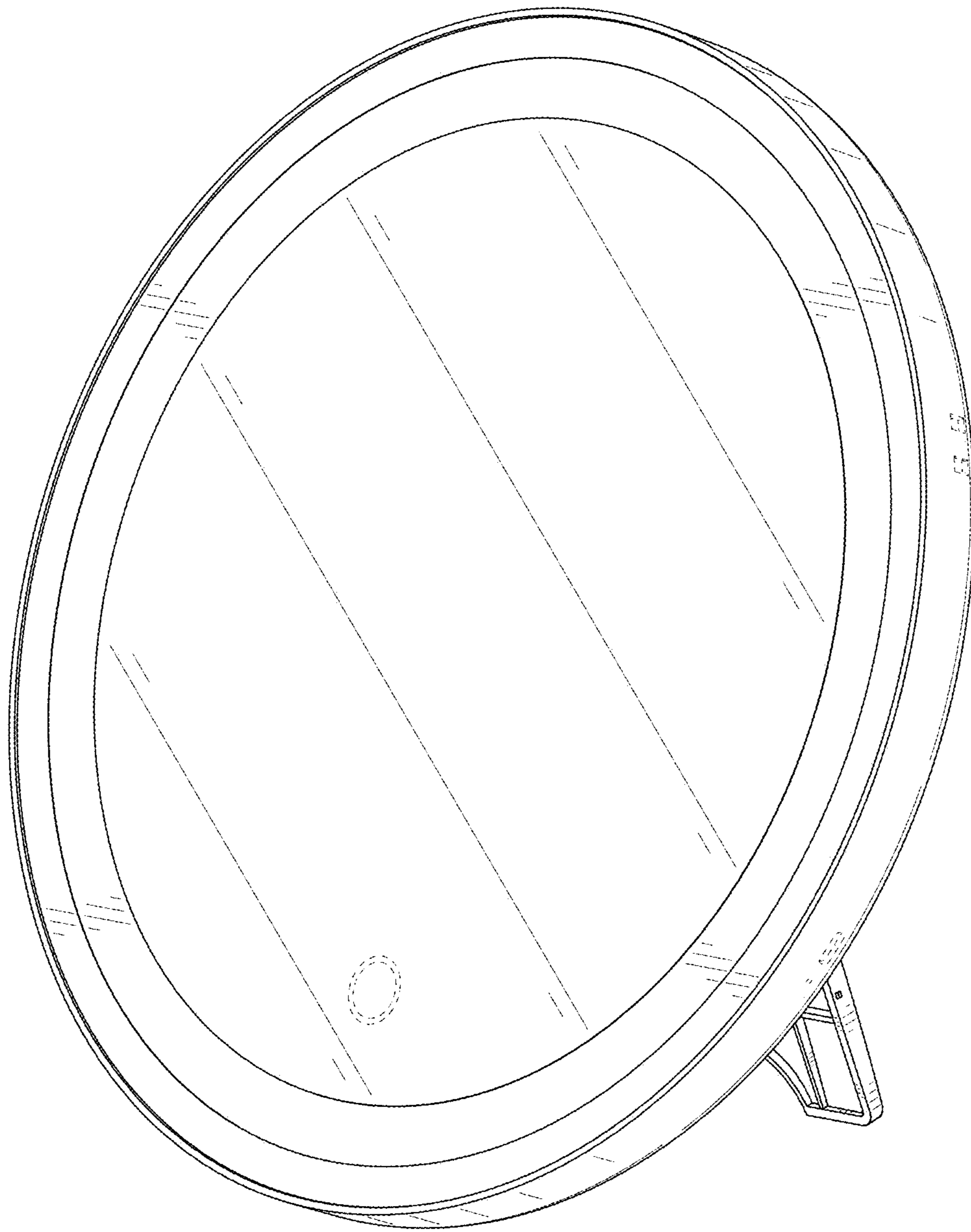


FIG. 1

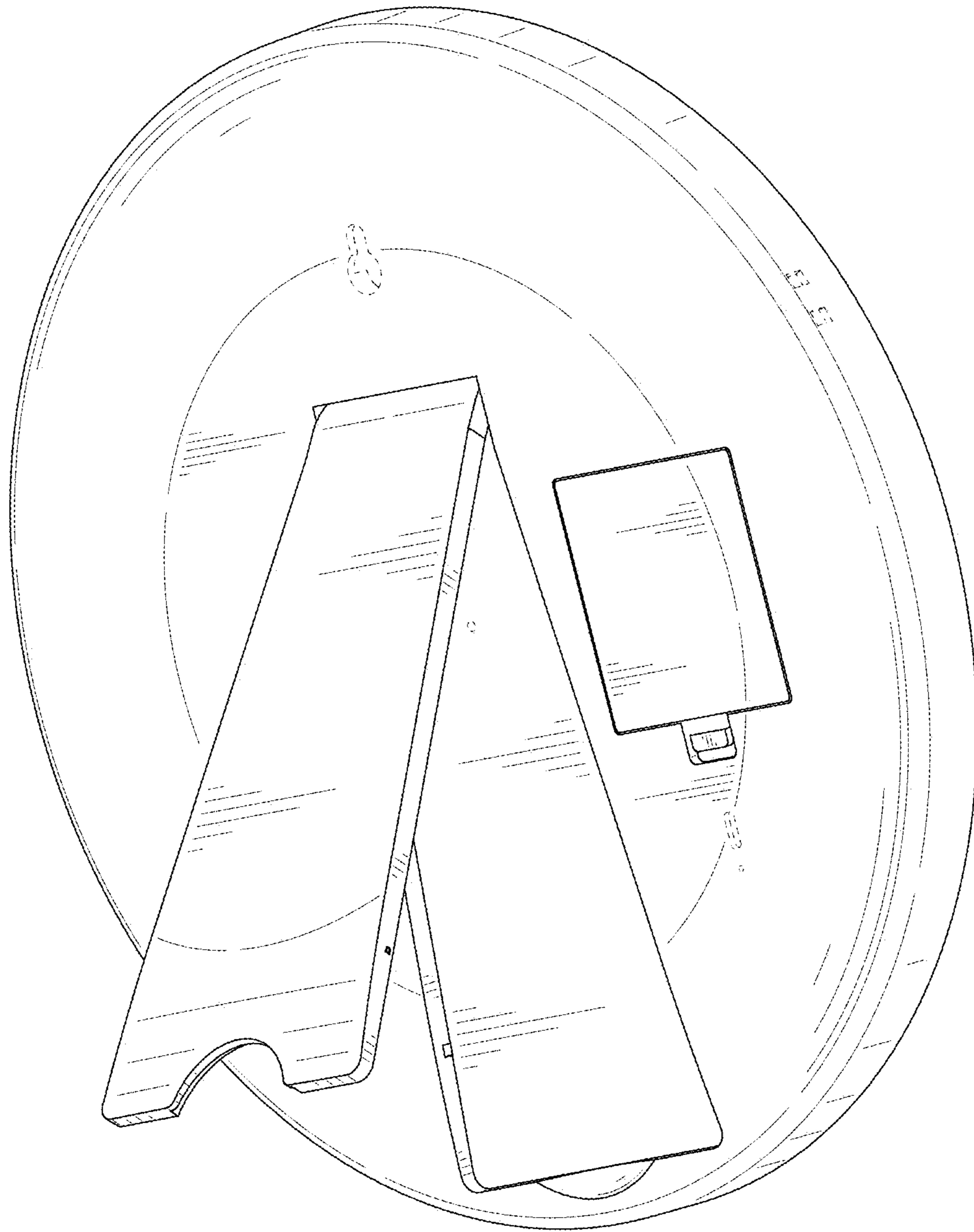


FIG. 2

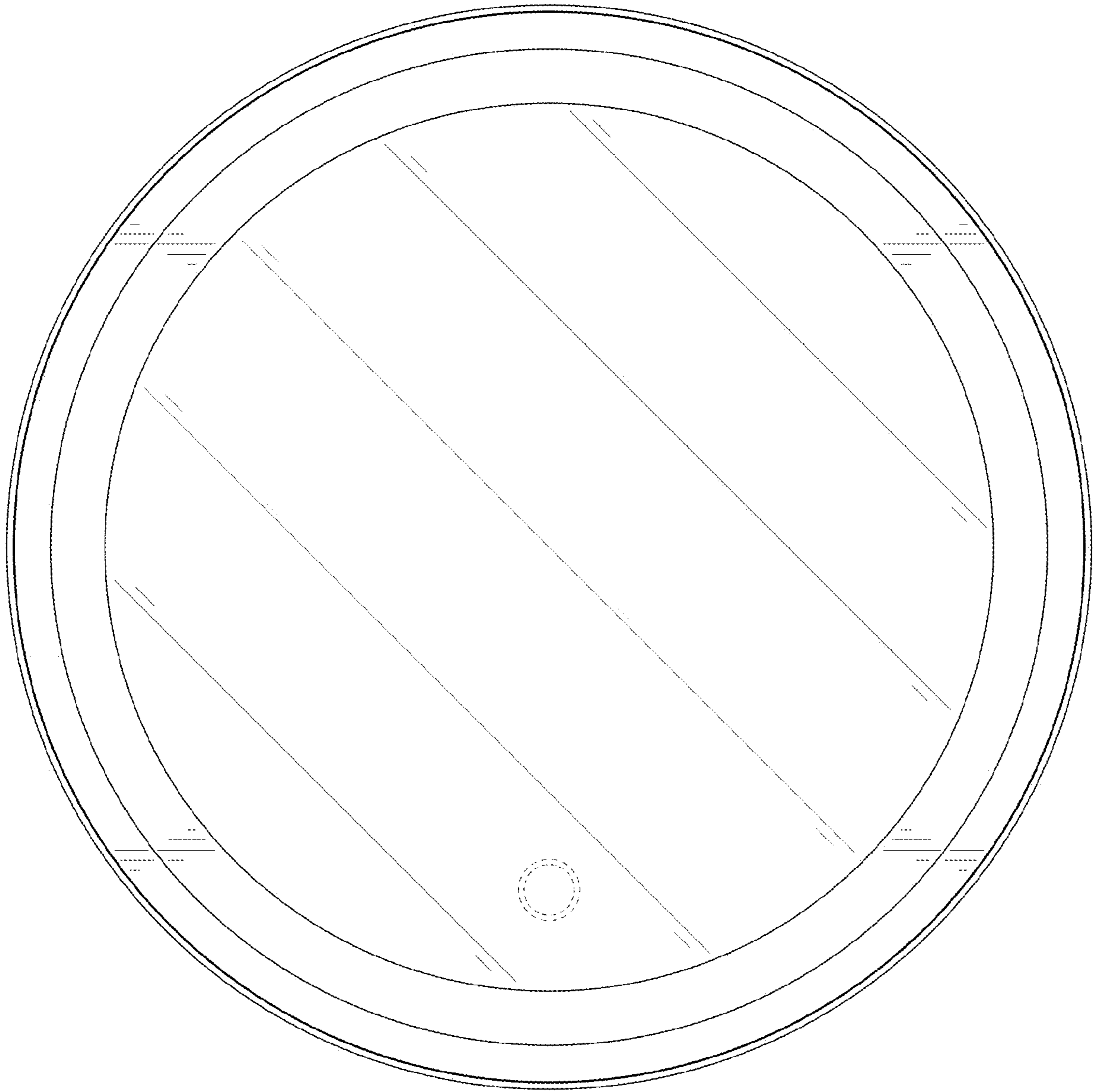


FIG. 3

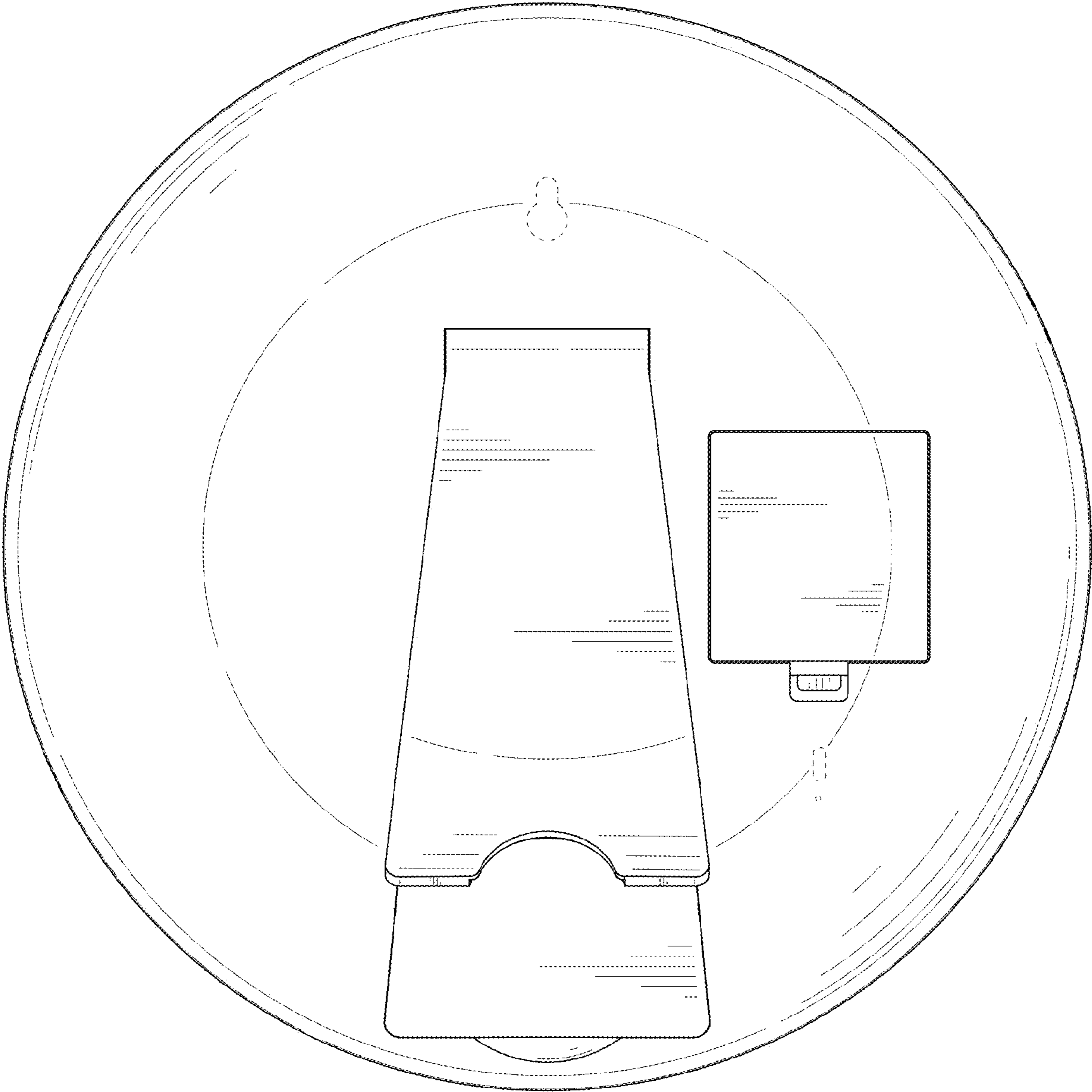


FIG. 4

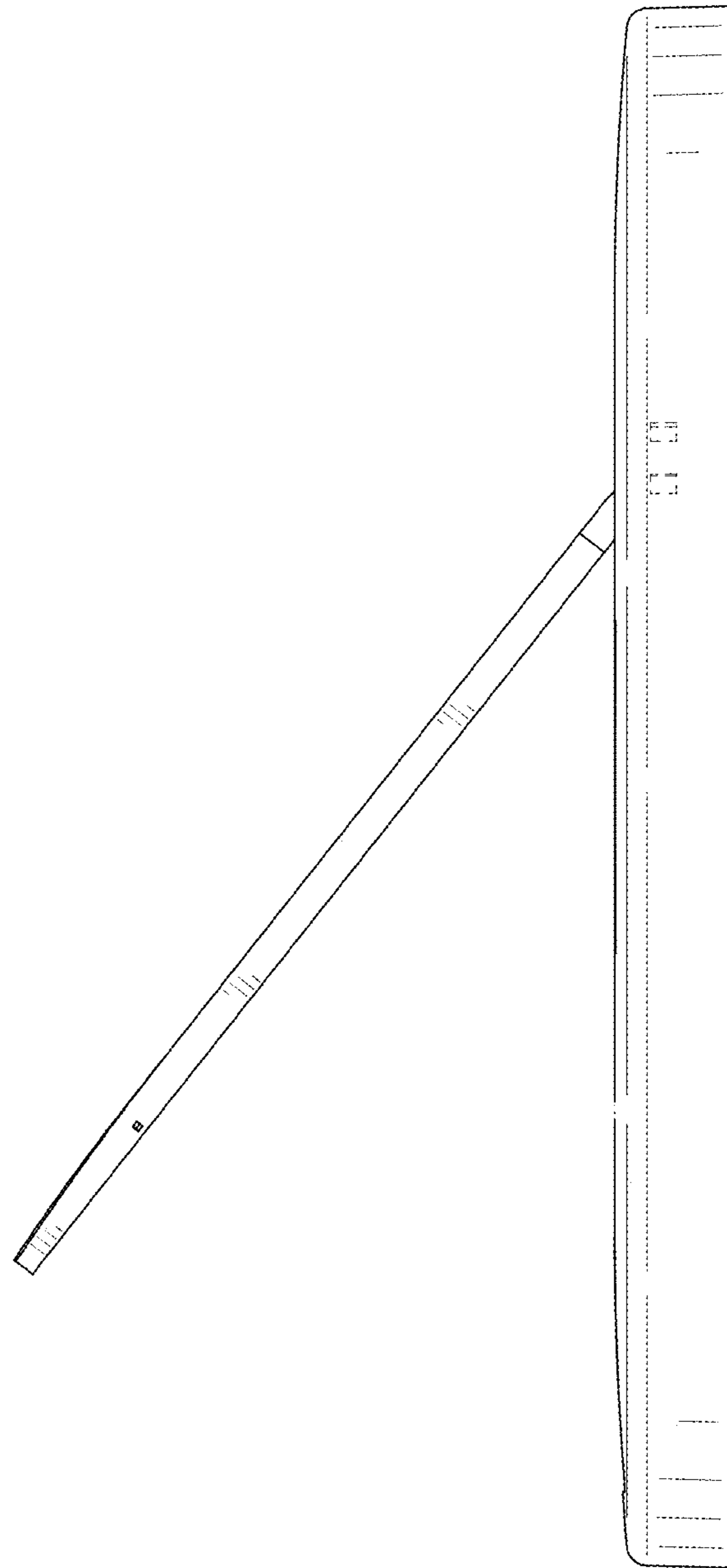


FIG. 5

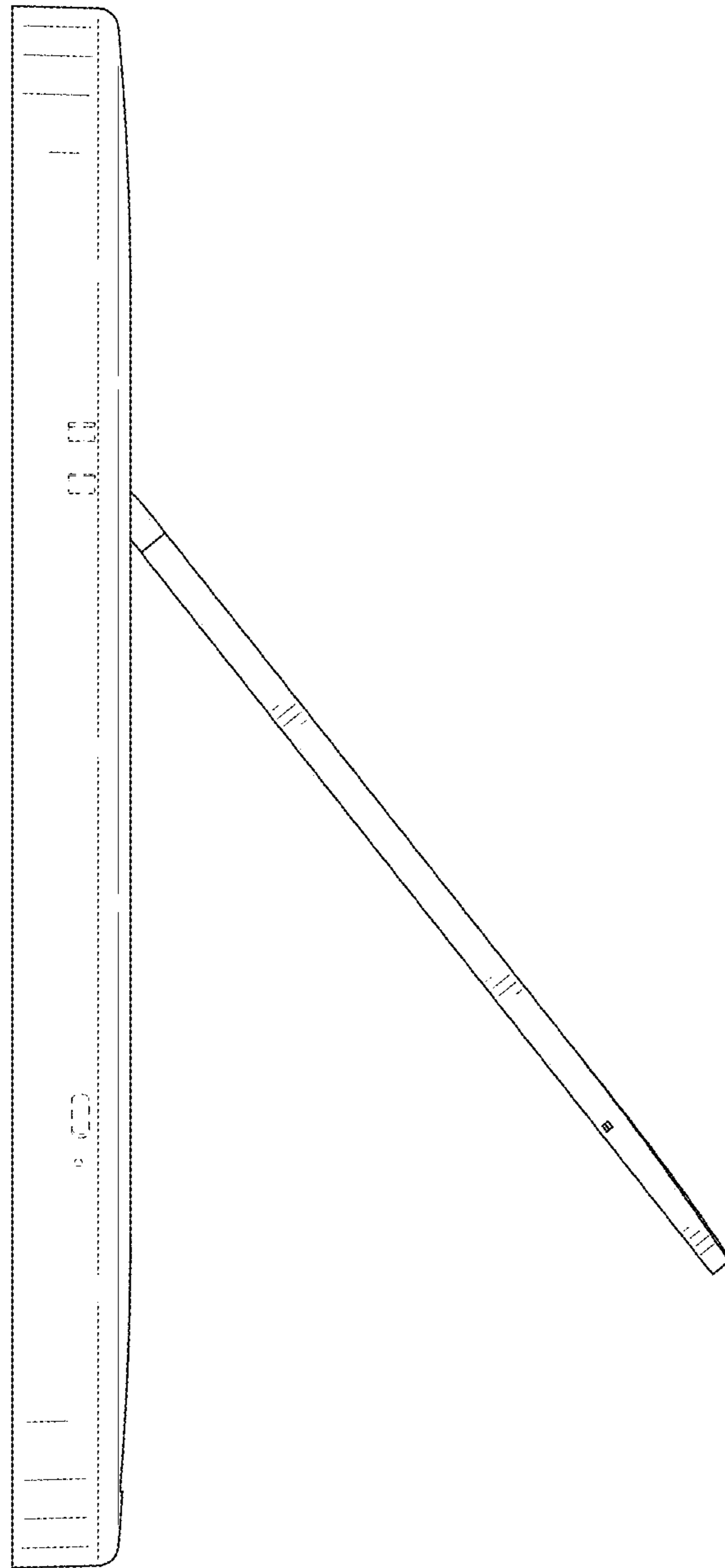


FIG. 6

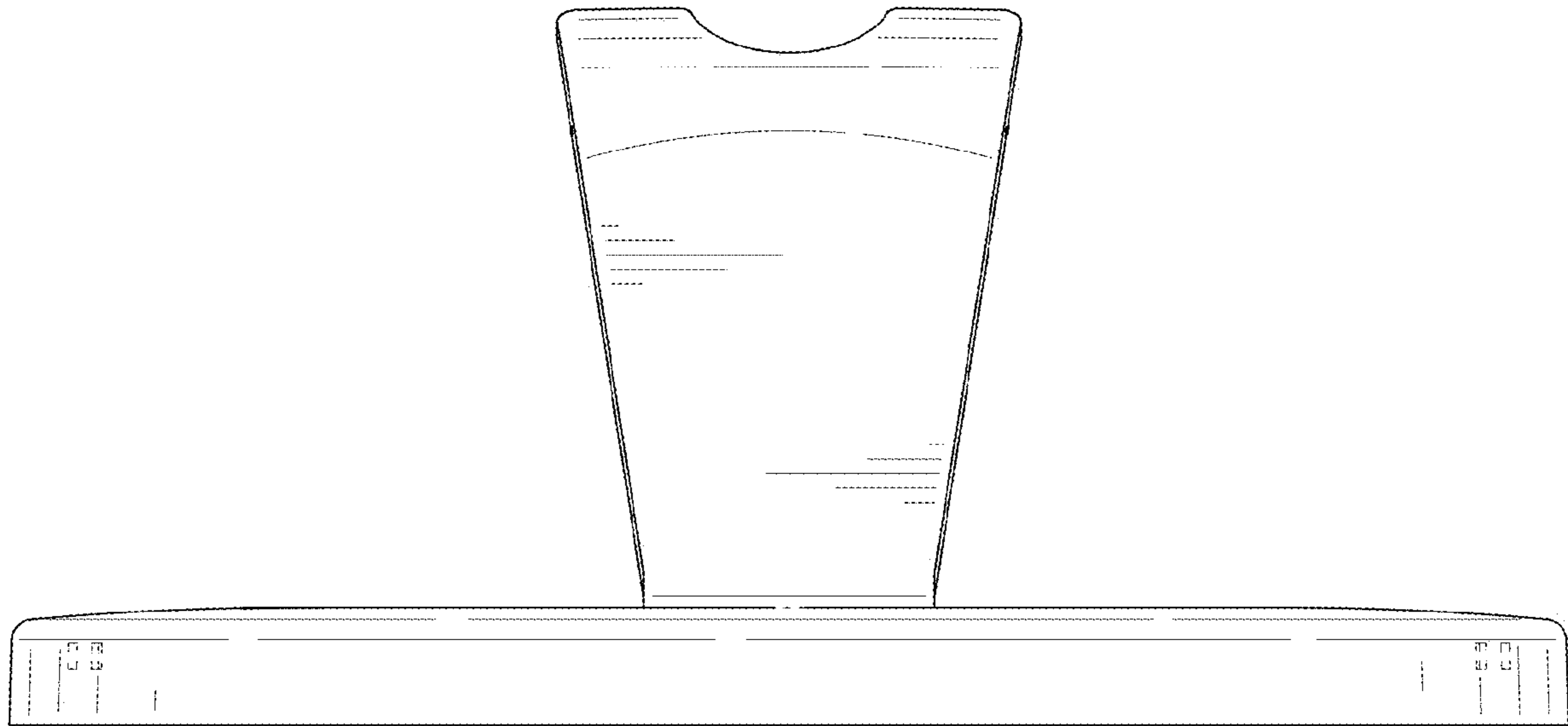


FIG. 7

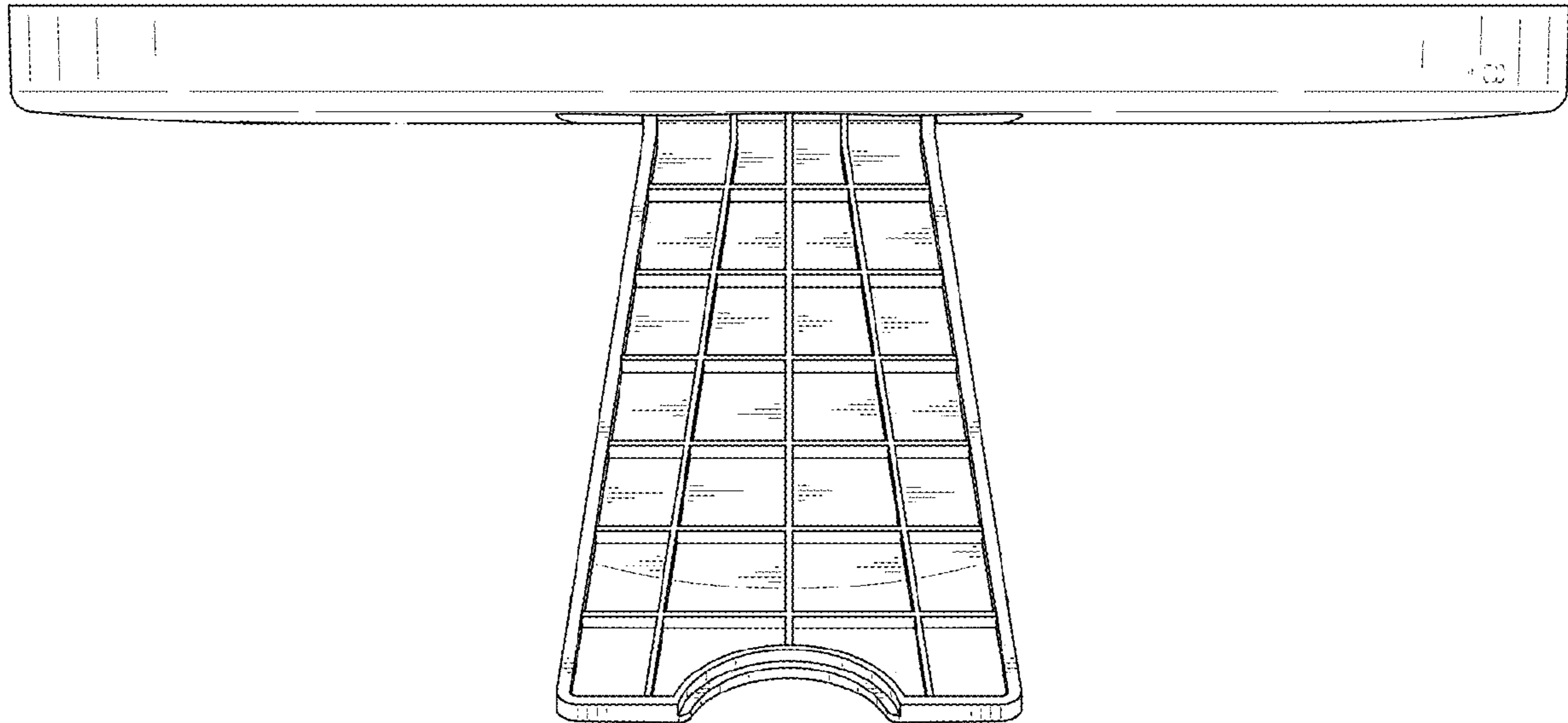


FIG. 8

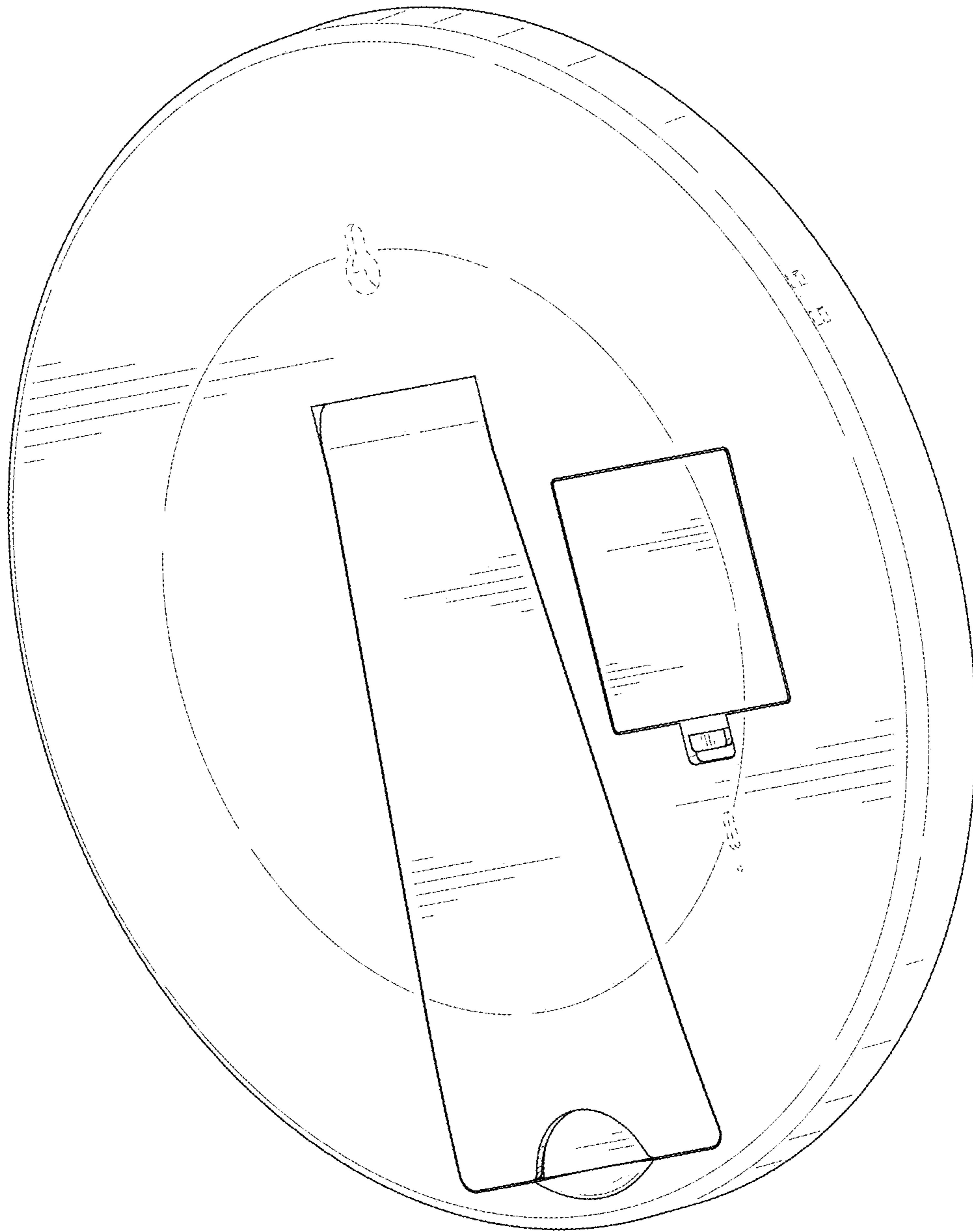


FIG. 9