



US00D953750S

(12) **United States Design Patent**  
**Yang**

(10) **Patent No.:** **US D953,750 S**  
(45) **Date of Patent:** **\*\* Jun. 7, 2022**

- (54) **DETACHABLE BRUSH**
- (71) Applicant: **Xiao Yang**, Shenzhen (CN)
- (72) Inventor: **Xiao Yang**, Shenzhen (CN)
- (\*\*) Term: **15 Years**
- (21) Appl. No.: **29/705,093**
- (22) Filed: **Sep. 10, 2019**
- (51) **LOC (13) Cl.** ..... **04-01**
- (52) **U.S. Cl.**  
USPC ..... **D4/127**
- (58) **Field of Classification Search**  
USPC ..... D4/100, 102, 114, 115, 116, 117, 118,  
D4/119, 120, 121, 122, 123, 124, 125,  
D4/126, 127, 128, 129, 130, 131, 132,  
D4/133, 134, 135, 136, 137, 138, 199;  
D32/40, 50, 51, 52, 35, 18, 19, 25, 33  
CPC . A46B 2200/3033; B08B 1/002; A47L 13/00;  
A47L 17/04; A47L 1/08  
See application file for complete search history.

(56) **References Cited**

**U.S. PATENT DOCUMENTS**

1,394,993	A *	10/1921	Frost	.....	A46B 13/001	15/199
D125,336	S *	2/1941	Henkel et al.	.....	D32/19	
2,918,686	A *	12/1959	Swearngin	.....	A46B 13/06	15/29
3,074,088	A *	1/1963	Williams	.....	A46B 13/06	15/29
D293,629	S *	1/1988	Jordan	.....	D4/115	
4,780,922	A *	11/1988	Sanchez	.....	A46B 13/06	15/29
D315,251	S *	3/1991	Clivio	.....	D4/102	
D337,205	S *	7/1993	Tsai	.....	D4/115	
D370,124	S *	5/1996	Chamieh	.....	D4/115	
6,309,291	B1 *	10/2001	Cox	.....	A46B 13/001	15/179

6,598,255	B1 *	7/2003	Gohda	.....	A46B 13/008	15/102
D837,529	S *	1/2019	Hoch	.....	D4/114	
D905,349	S *	12/2020	Rodriguez	.....	D28/63	
2016/0287035	A1 *	10/2016	Woodard	.....	A61H 7/003	
2020/0260855	A9 *	8/2020	Keiser	.....	A46B 9/028	

**FOREIGN PATENT DOCUMENTS**

CN	305621659	*	2/2020
TR	094841-0001	*	9/2017

\* cited by examiner

*Primary Examiner* — Karen E Eldridge Powers  
(74) *Attorney, Agent, or Firm* — Rumit Ranjit Kanakia

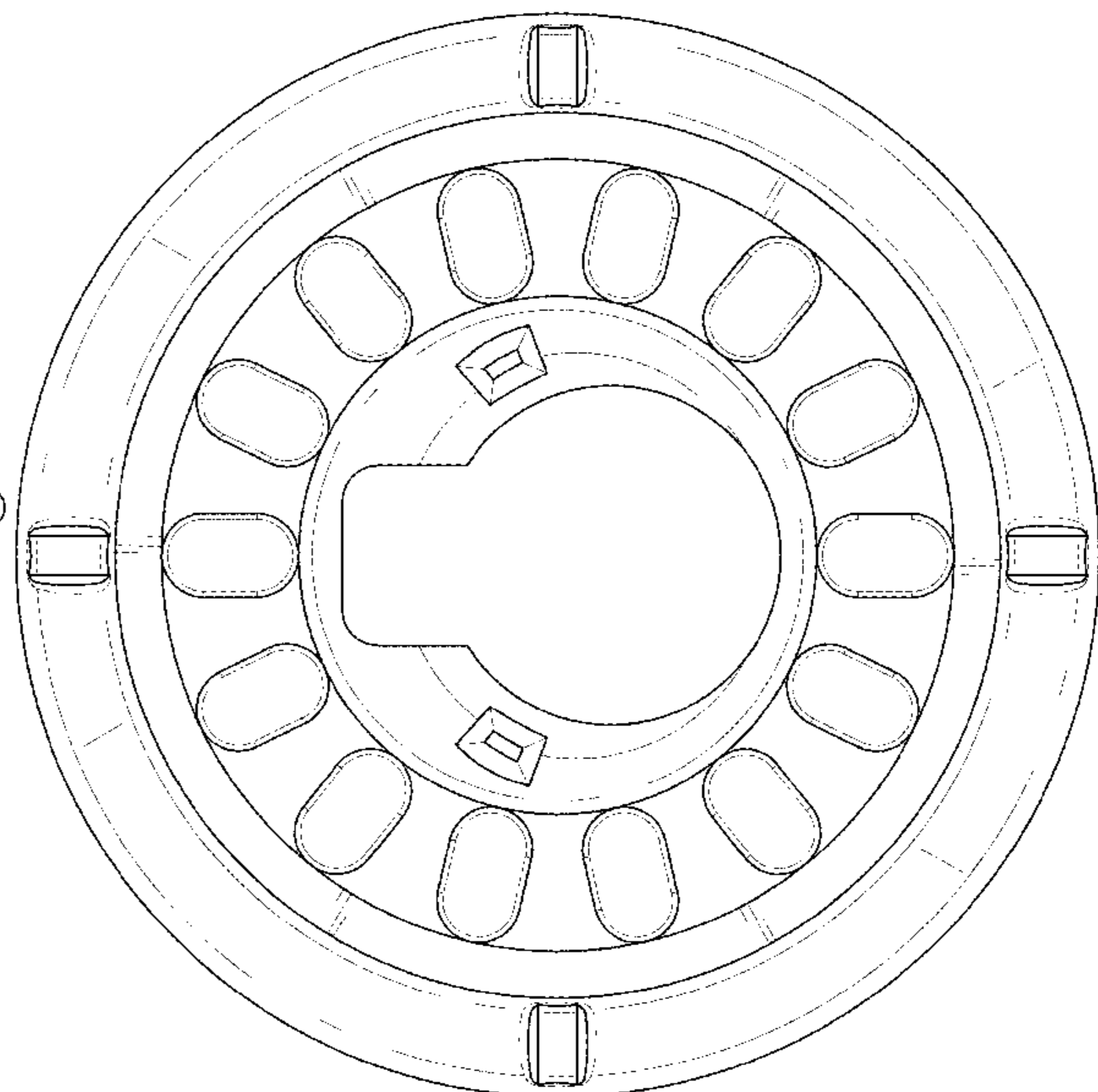
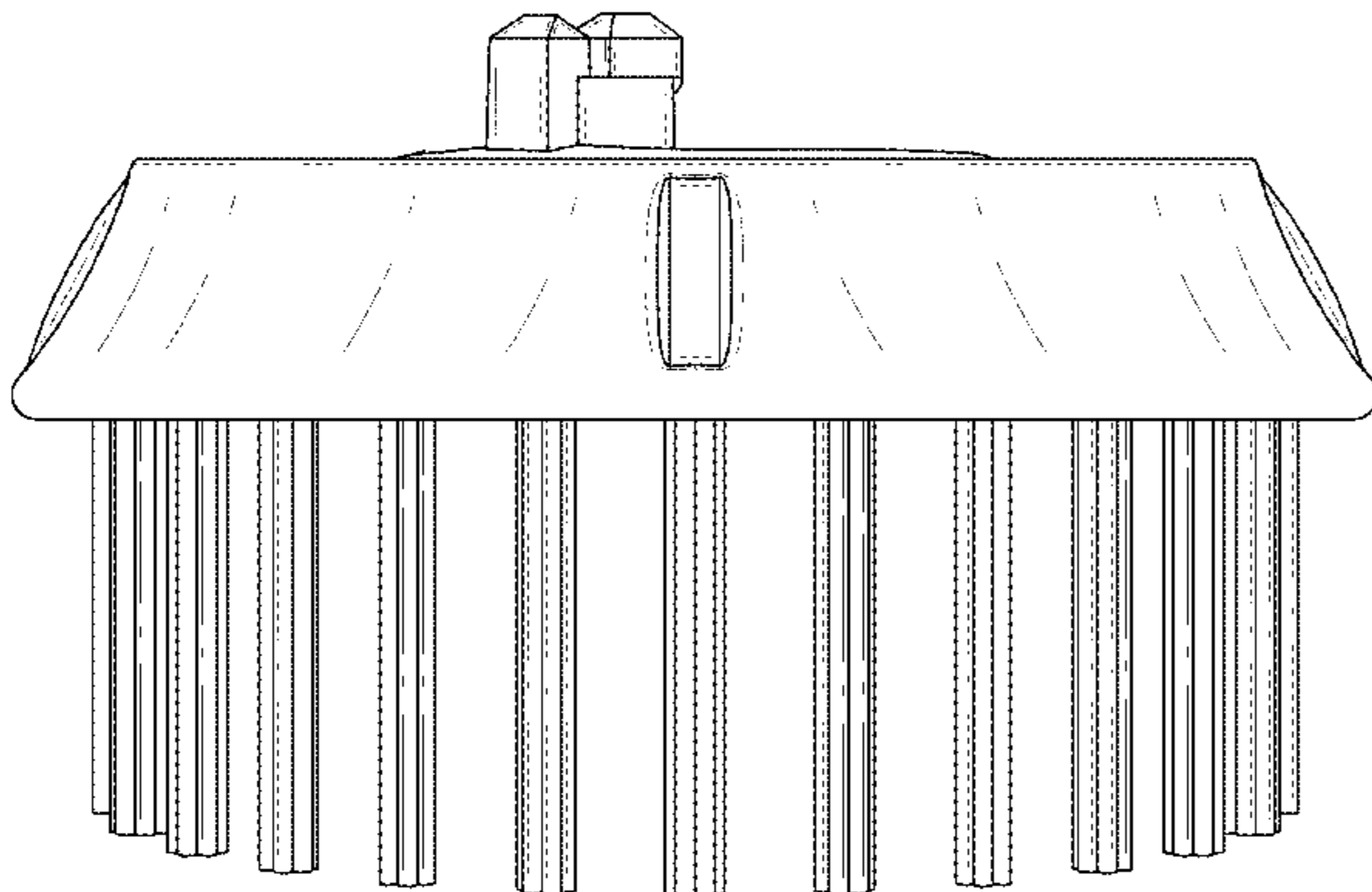
(57) **CLAIM**

I claim the ornamental design for a detachable brush, as shown and described.

**DESCRIPTION**

FIG. 1 is a front perspective view of a detachable brush showing my new design;  
 FIG. 2 is an opposite and rear perspective view of the detachable brush as shown in FIG. 1;  
 FIG. 3 is a front elevation view of the detachable brush as shown in FIG. 1;  
 FIG. 4 is a rear elevation view of the detachable brush as shown in FIG. 1;  
 FIG. 5 is a left-side elevation of the detachable brush as shown in FIG. 1;  
 FIG. 6 is a right-side elevation view of the detachable brush as shown in FIG. 1;  
 FIG. 7 is a top plan view of the detachable brush as shown in FIG. 1; and,  
 FIG. 8 is a bottom plan view of the detachable brush as shown in FIG. 1.  
 The broken lines in the drawings depict portions of the detachable brush that form no part of the claimed design.

**1 Claim, 8 Drawing Sheets**



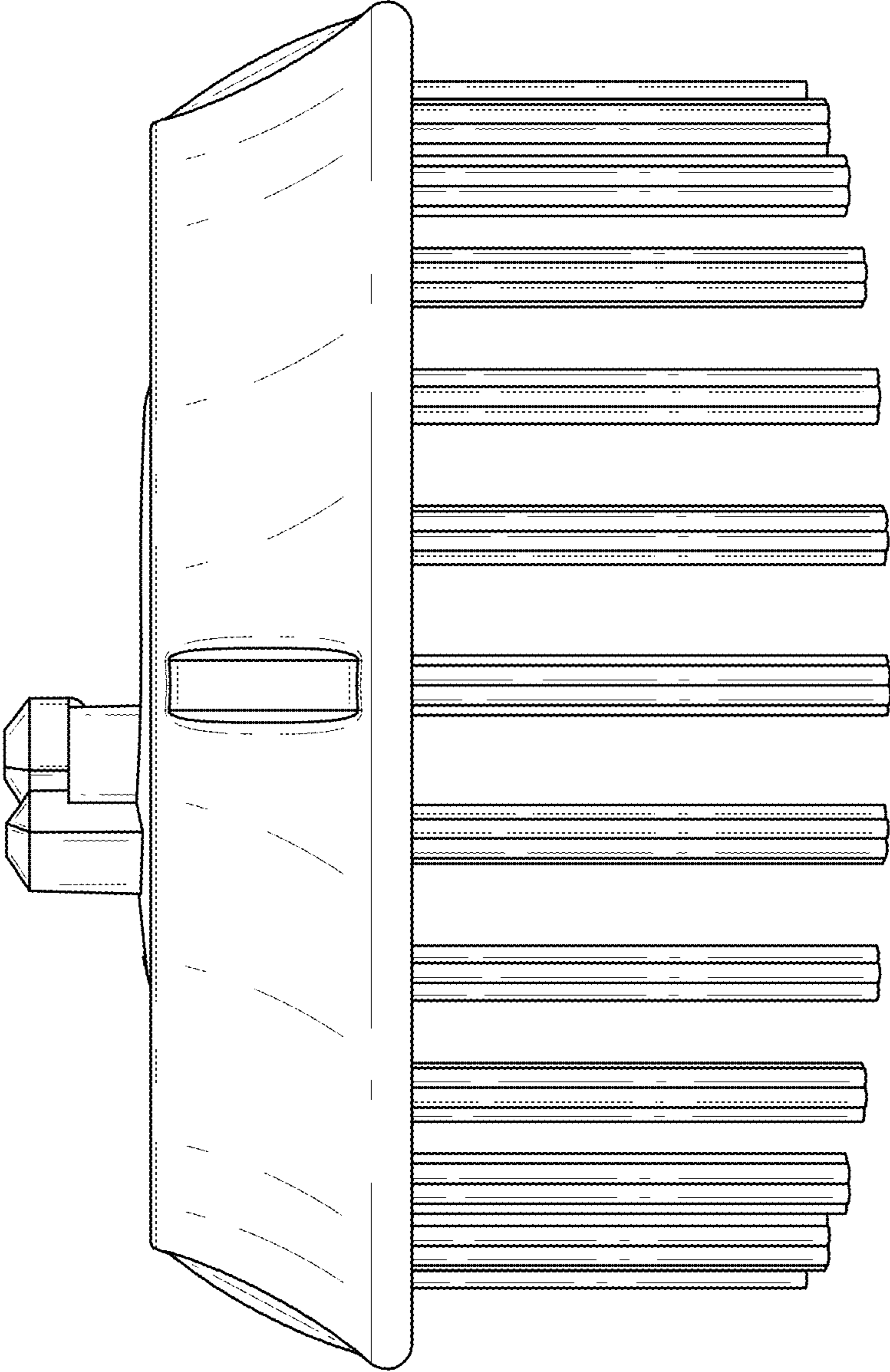


FIG. 1

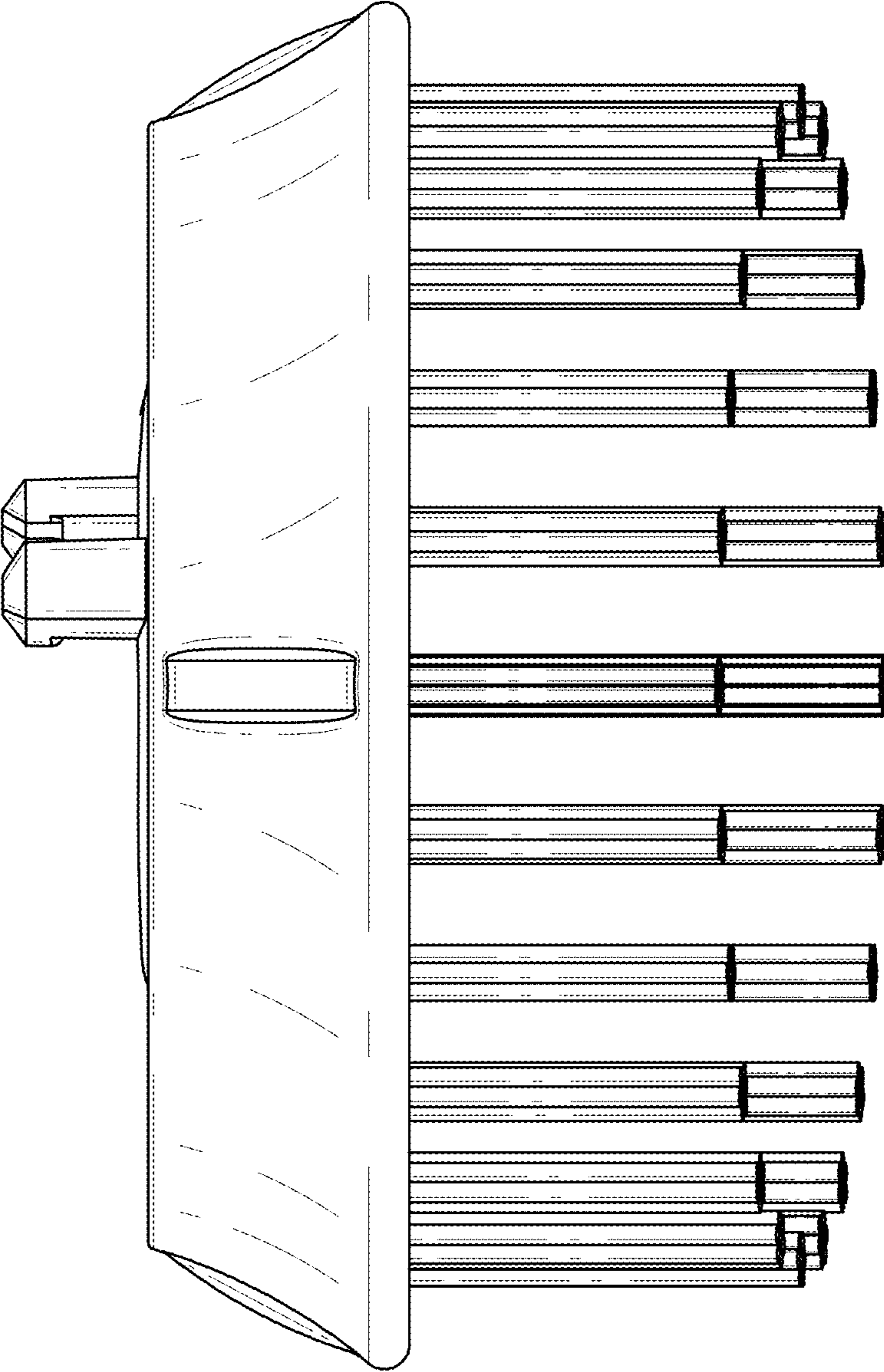


FIG. 2

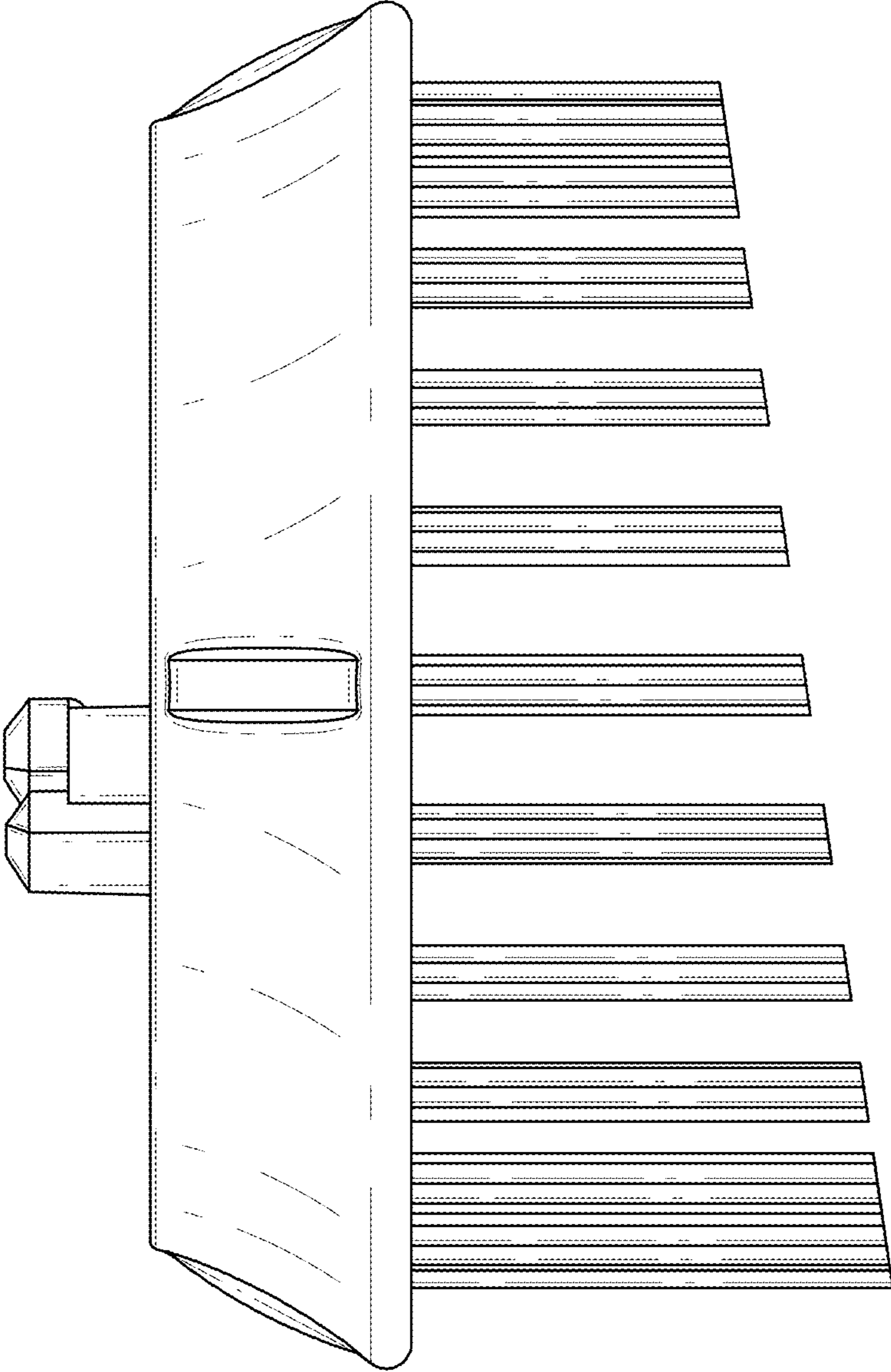


FIG. 3

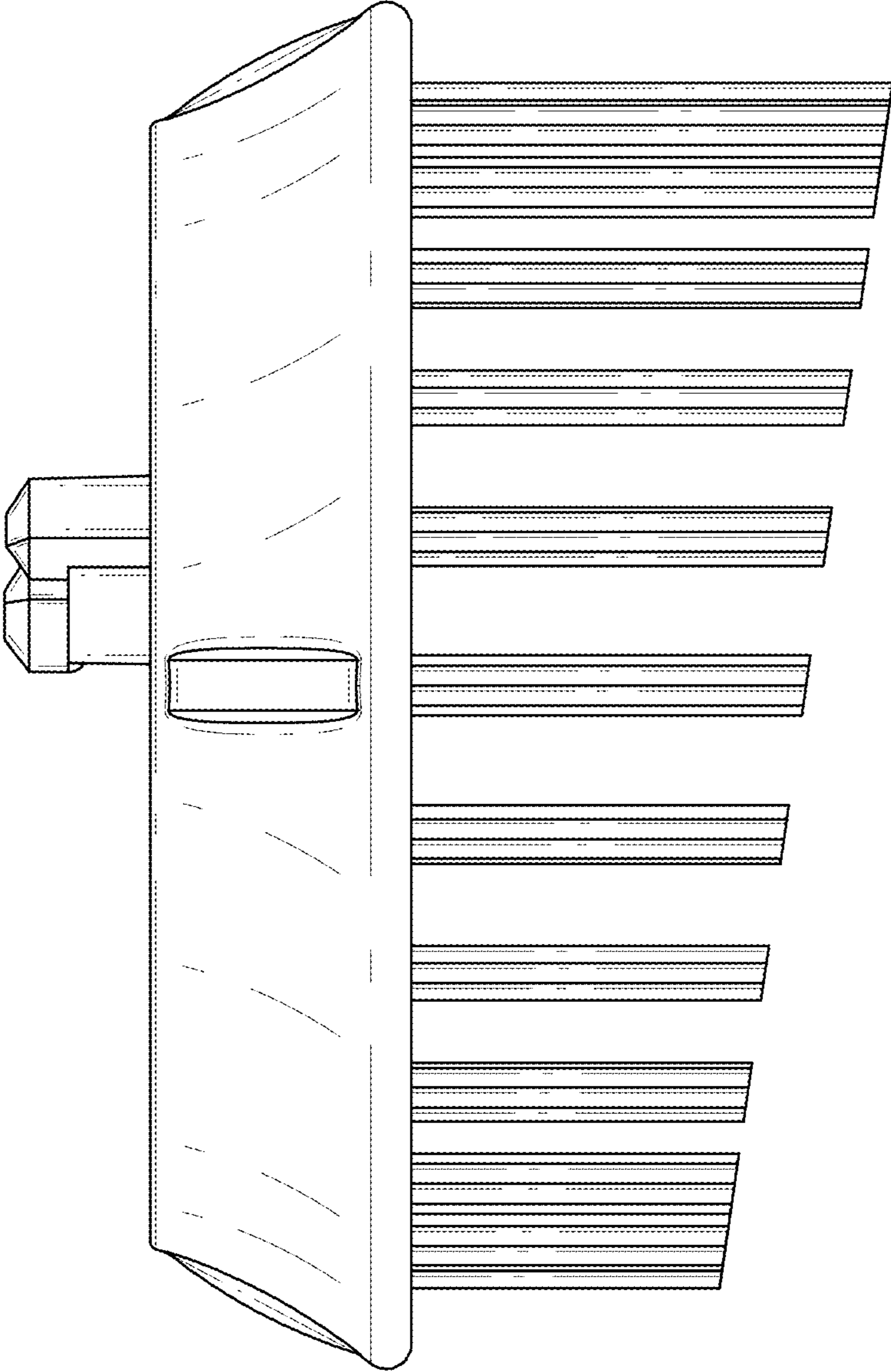


FIG. 4

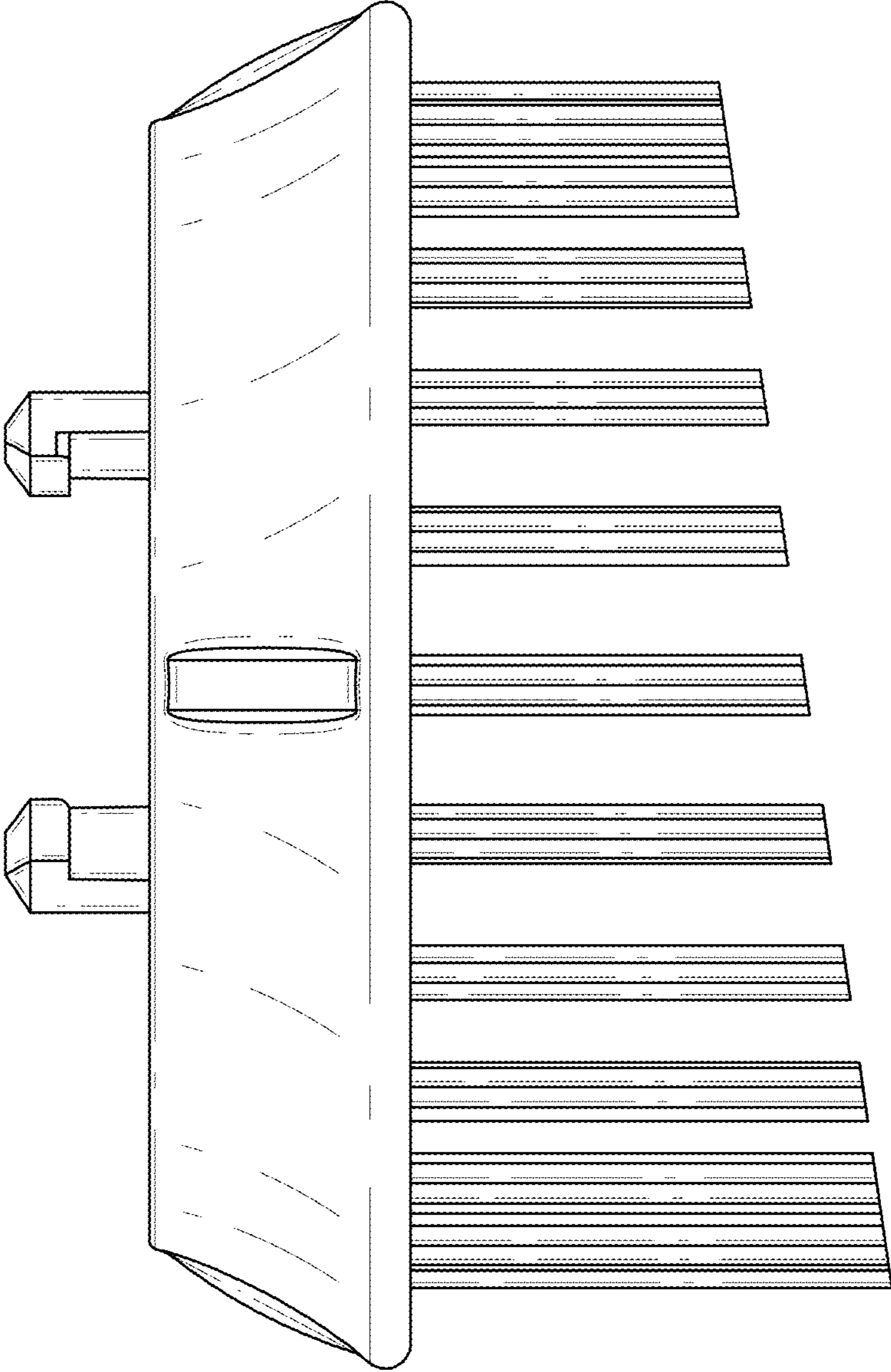


FIG. 5

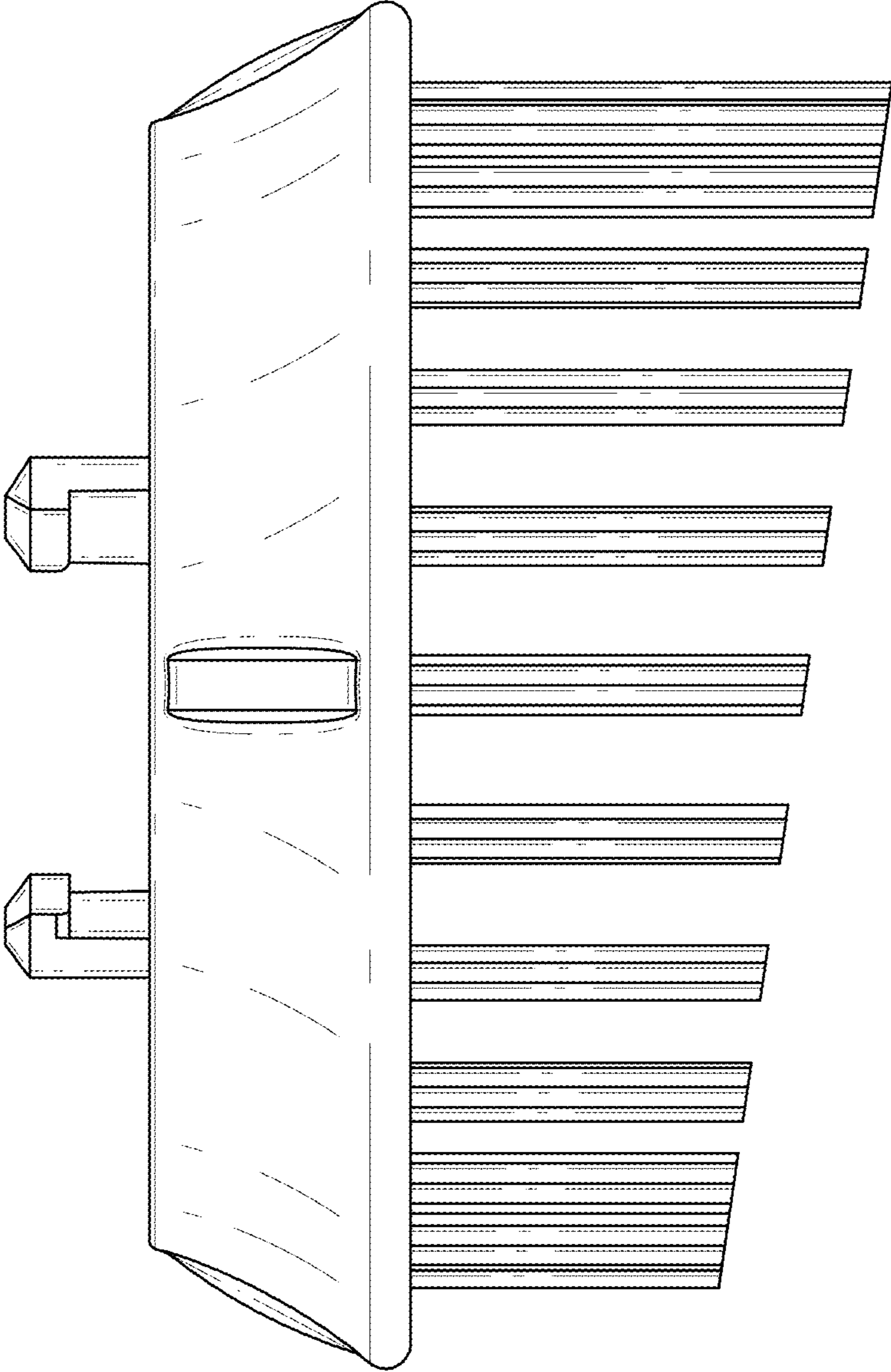


FIG. 6

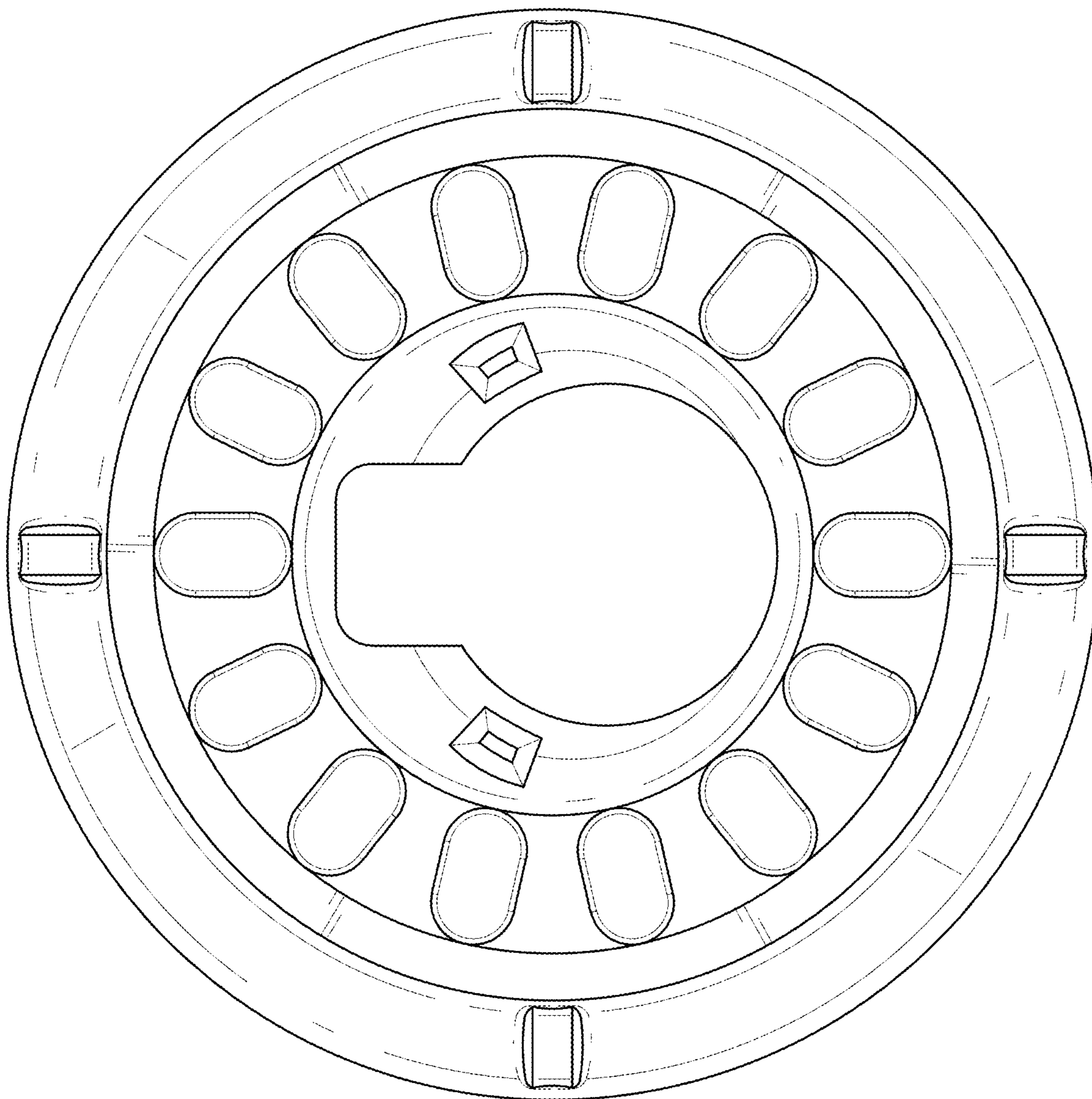


FIG. 7



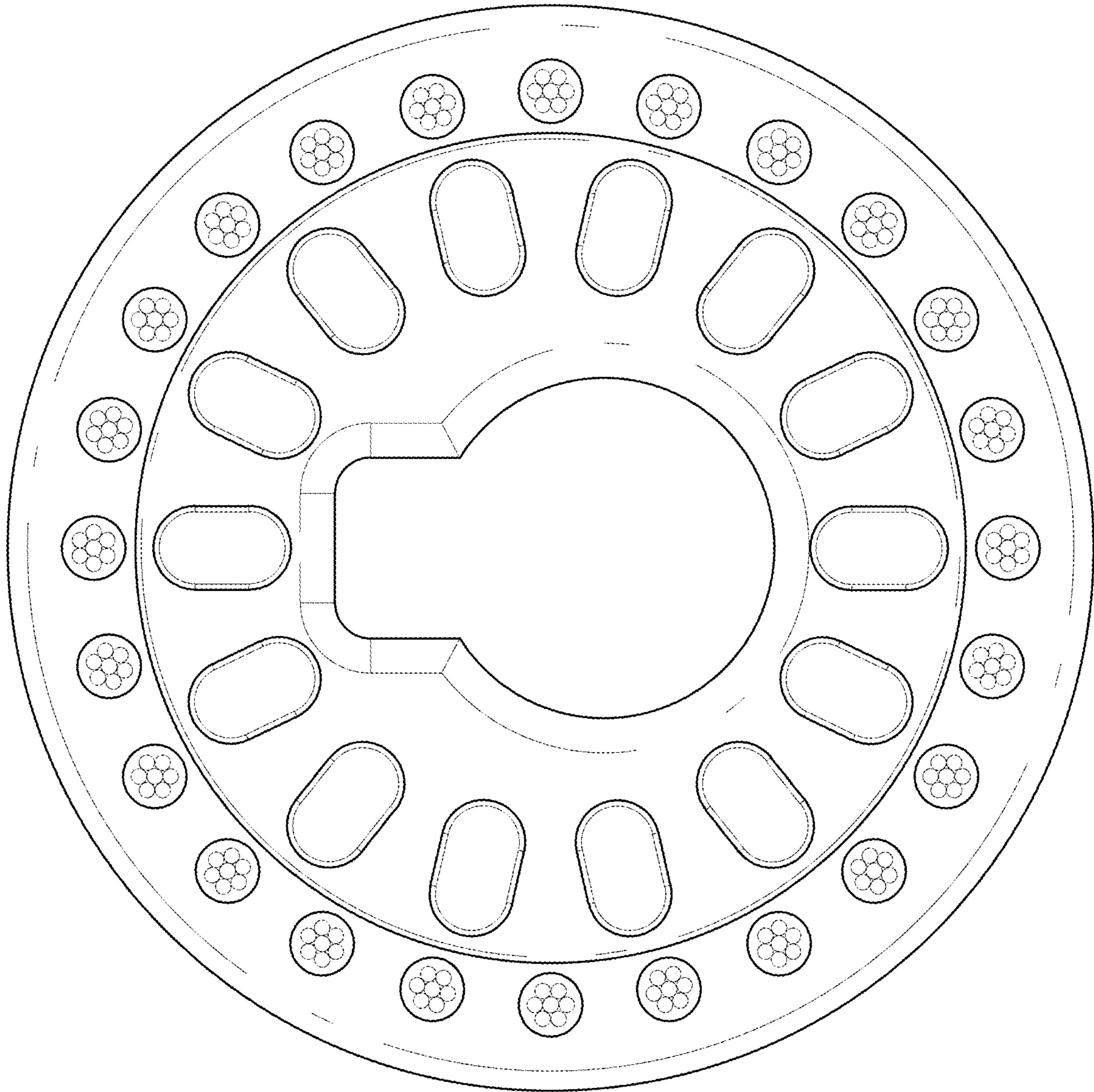


FIG. 8