



US00D953749S

(12) **United States Design Patent** (10) **Patent No.:** **US D953,749 S**
Lambertson et al. (45) **Date of Patent:** **** Jun. 7, 2022**

(54) **BENT FRAME PAINT ROLLER ASSEMBLY**
(71) Applicant: **SWIMC LLC**, Cleveland, OH (US)
(72) Inventors: **Michael Lambertson**, Aurora, OH (US); **Charles Buckel**, Valley City, OH (US)

5,105,500 A 4/1992 Bordogna
5,400,459 A 3/1995 Jarecke
5,444,891 A 8/1995 Benson
5,463,789 A 11/1995 Zilinski
5,623,740 A 4/1997 Bums
5,769,769 A 6/1998 Torntore

(Continued)

(73) Assignee: **SWIMC LLC**, Cleveland, OH (US)

(**) Term: **15 Years**

(21) Appl. No.: **29/728,748**

(22) Filed: **Mar. 20, 2020**

(51) **LOC (13) Cl.** **04-01**

(52) **U.S. Cl.**
USPC **D4/122**

(58) **Field of Classification Search**
USPC D4/114-137; D32/31, 51; D28/65; D8/303, 107
CPC B05C 17/023; B05C 17/0207; B05C 17/0217; B05C 17/0205; A46B 13/001; A46B 13/006; A46B 7/026; A46B 7/06; A46B 7/10

See application file for complete search history.

(56) **References Cited**

U.S. PATENT DOCUMENTS

2,644,186 A	7/1953	Guimond	
2,763,022 A	9/1956	Glacken	
2,799,886 A	7/1957	Brunelli	
2,836,840 A	6/1958	Pratt	
3,204,276 A	9/1965	Kennedy	
3,369,269 A	2/1968	Deck	
3,623,180 A	11/1971	Anderson	
3,685,084 A	8/1972	Benneii	
3,886,621 A	6/1975	Welsh	
3,933,415 A	1/1976	Woolpert	
3,986,226 A *	10/1976	Roe	B05C 17/02 15/230.11
4,304,025 A	12/1981	Christensen	
4,599,762 A	7/1986	Rigter	

FOREIGN PATENT DOCUMENTS

DE	2439065	2/1975
DE	4009044	9/1991

(Continued)

OTHER PUBLICATIONS

HD paint roller brush, announced 2020 [online], [site visited Aug. 4, 2021], Available from internet, URL: <https://www.homedepot.com/p/Wooster-4-in-Mini-Koter-Long-Handle-Frame-00R0110040/308702907> (Year: 2021).*

Primary Examiner — Cynthia Ramirez
Assistant Examiner — Tamara L Hahn
(74) *Attorney, Agent, or Firm* — McDonald Hopkins LLC

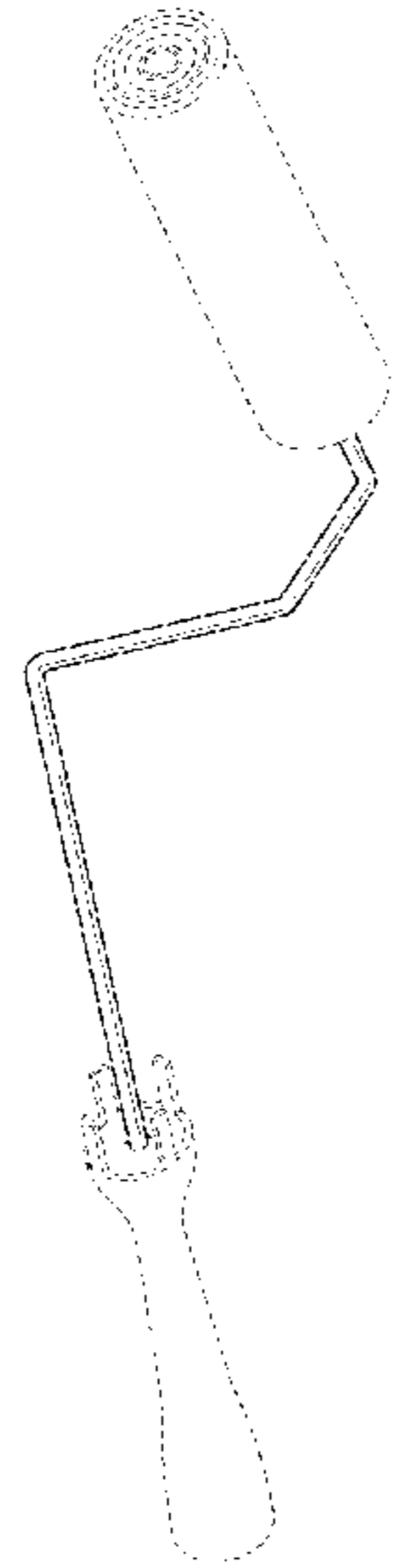
(57) **CLAIM**

The ornamental design for a bent frame paint roller assembly, as shown and described.

DESCRIPTION

FIG. 1 is a perspective view of a bent frame paint roller assembly showing our new design; FIG. 2 is a first side view thereof; FIG. 3 is a second side view thereof; FIG. 4 is a back view thereof; FIG. 5 is a front view thereof; FIG. 6 is a top side view thereof; and, FIG. 7 is a bottom side view thereof. The broken lines illustrate portions of a bent frame paint roller assembly that form no part of the claimed design.

1 Claim, 5 Drawing Sheets



(56)

References Cited

U.S. PATENT DOCUMENTS

D439,416 S * 3/2001 Weiss D4/122
 D465,090 S 11/2002 Robinson
 6,510,579 B1 1/2003 Gartner
 6,574,824 B2 6/2003 Bums
 6,687,945 B2 2/2004 Robinson
 6,742,212 B2 6/2004 Pyles
 6,871,376 B1 3/2005 D'Ambrosio
 6,925,674 B2 8/2005 Prince
 6,957,470 B2 10/2005 Rivadeneira
 D521,245 S * 5/2006 Inch D4/122
 7,305,732 B2 12/2007 Karroll
 D574,153 S 8/2008 Dehart
 7,543,782 B2 * 6/2009 Cummins B44D 3/123
 248/112
 D603,609 S * 11/2009 Reed D4/122
 D677,901 S 3/2013 Boukair
 D677,903 S 3/2013 Boukair
 D683,546 S 6/2013 Woolfolk
 D694,483 S * 11/2013 Hines D32/50
 8,819,885 B1 9/2014 Boukair
 8,819,886 B1 9/2014 Boukair
 D728,945 S 5/2015 Neal
 D741,604 S * 10/2015 Typrowicz D4/122
 9,168,563 B1 * 10/2015 Kalmon B05C 17/02
 9,199,266 B2 12/2015 Boukair
 9,205,446 B2 12/2015 Sandahi
 D750,381 S 3/2016 Parker
 9,272,304 B1 3/2016 Emery

9,333,528 B2 5/2016 Decarr
 D773,827 S 12/2016 Typrowicz
 D796,211 S * 9/2017 Getchell D4/122
 10,035,171 B2 7/2018 Boukair
 D845,000 S * 4/2019 Simpson D4/122
 D871,078 S * 12/2019 Winter D4/122
 D921,367 S * 6/2021 Buckel, Jr. D4/122
 2002/0194691 A1 12/2002 Meyer
 2006/0080800 A1 4/2006 Sander
 2010/0180817 A1 7/2010 Binyamin
 2013/0205530 A1 8/2013 Dale
 2014/0013530 A1 * 1/2014 Gallardo B05C 17/0207
 15/230.11
 2014/0249006 A1 9/2014 Gallardo
 2017/0087582 A1 * 3/2017 Harley B05C 17/0205
 2018/0193875 A1 * 7/2018 Hougi D03D 27/00

FOREIGN PATENT DOCUMENTS

DE 4419672 8/1995
 DE 20305209 6/2003
 GB 2420513 10/2006
 GB 6101092 * 9/2020
 JP S59190378 12/1984
 JP S61111580 7/1986
 JP S6373180 5/1988
 JP S63168075 11/1988
 JP H01128876 9/1989
 WO WO9400245 1/1994
 WO WO1994000245 1/1994

* cited by examiner

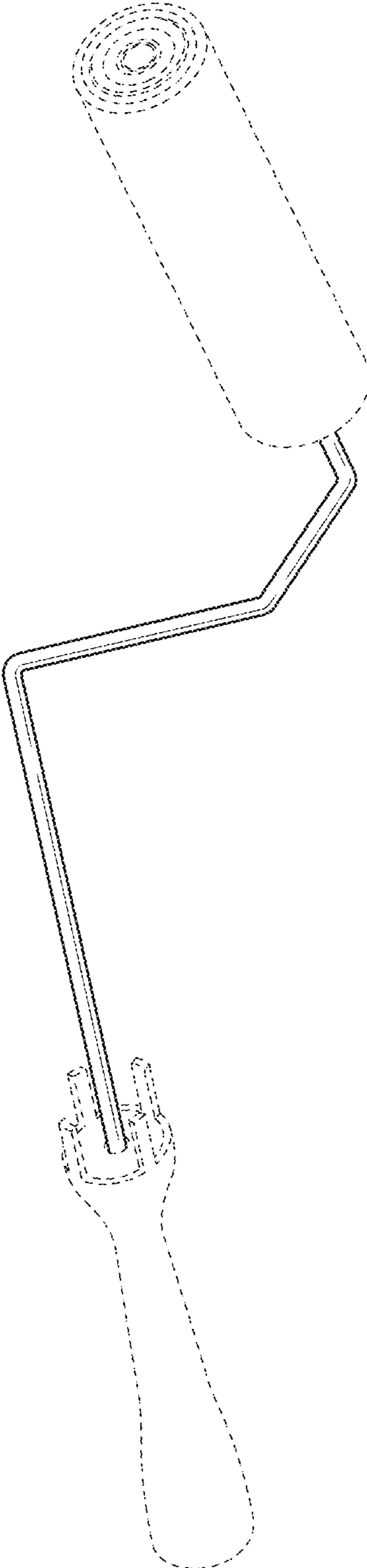


FIG. 1

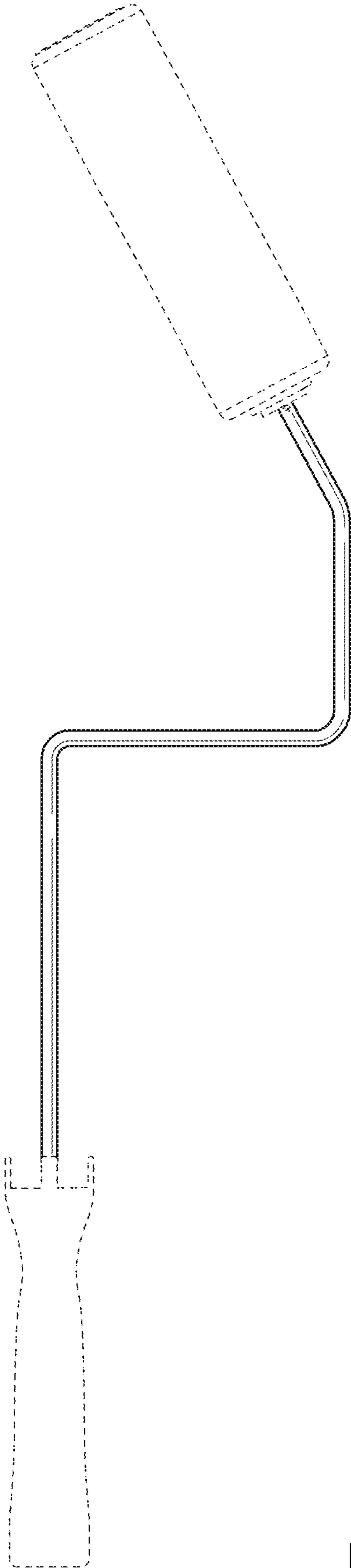


FIG. 2

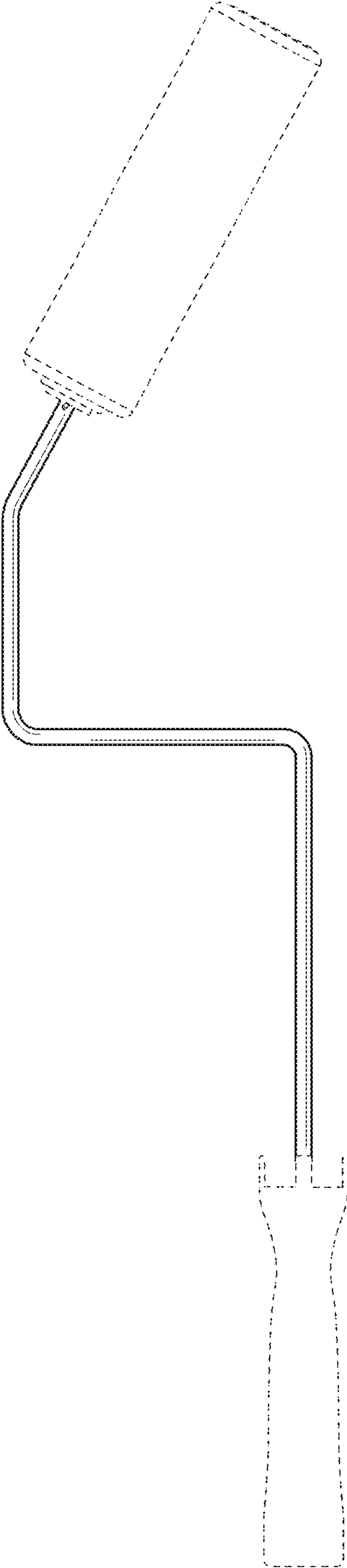


FIG. 3

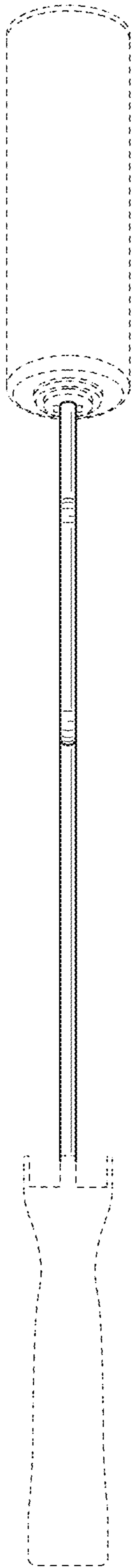


FIG. 4

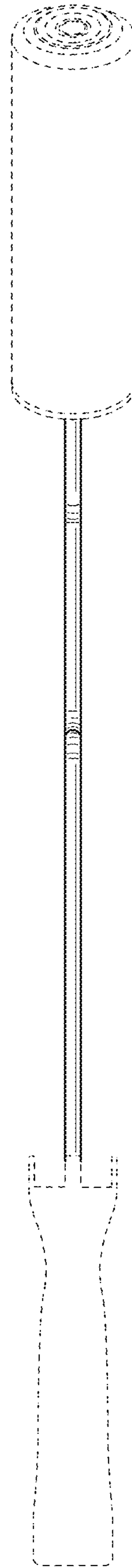


FIG. 5

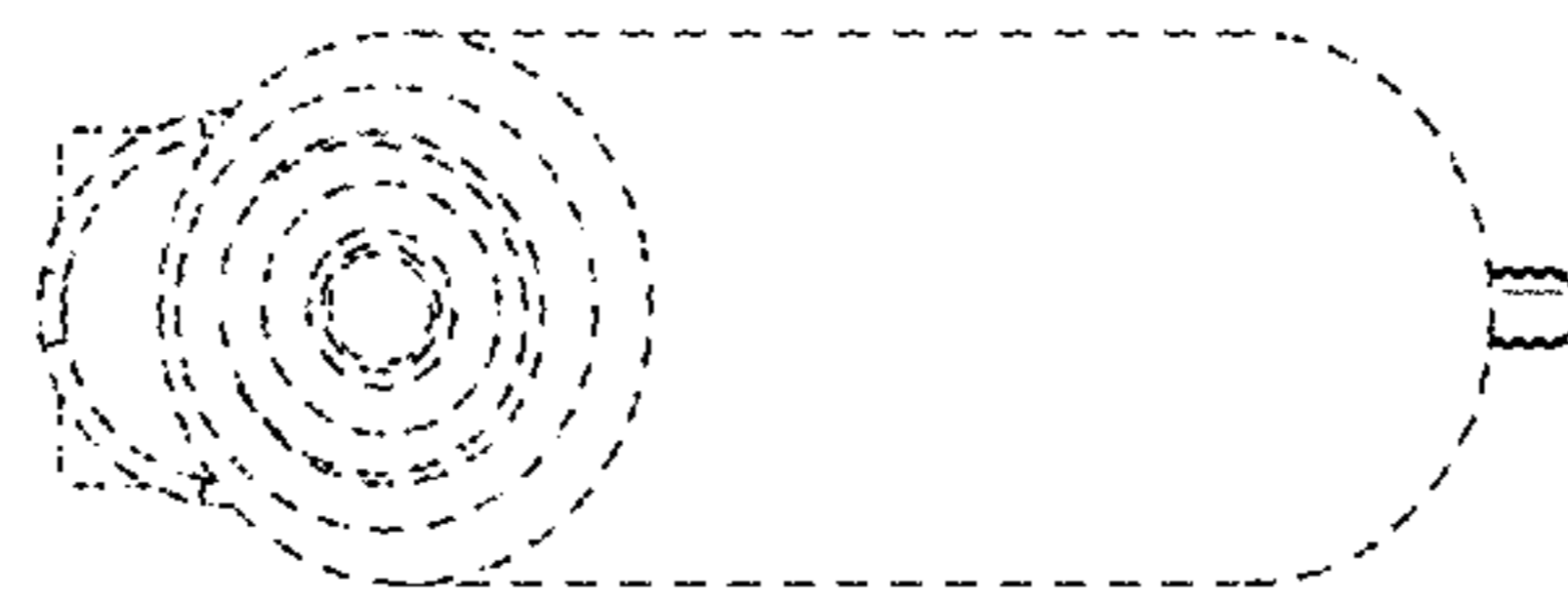


FIG. 6

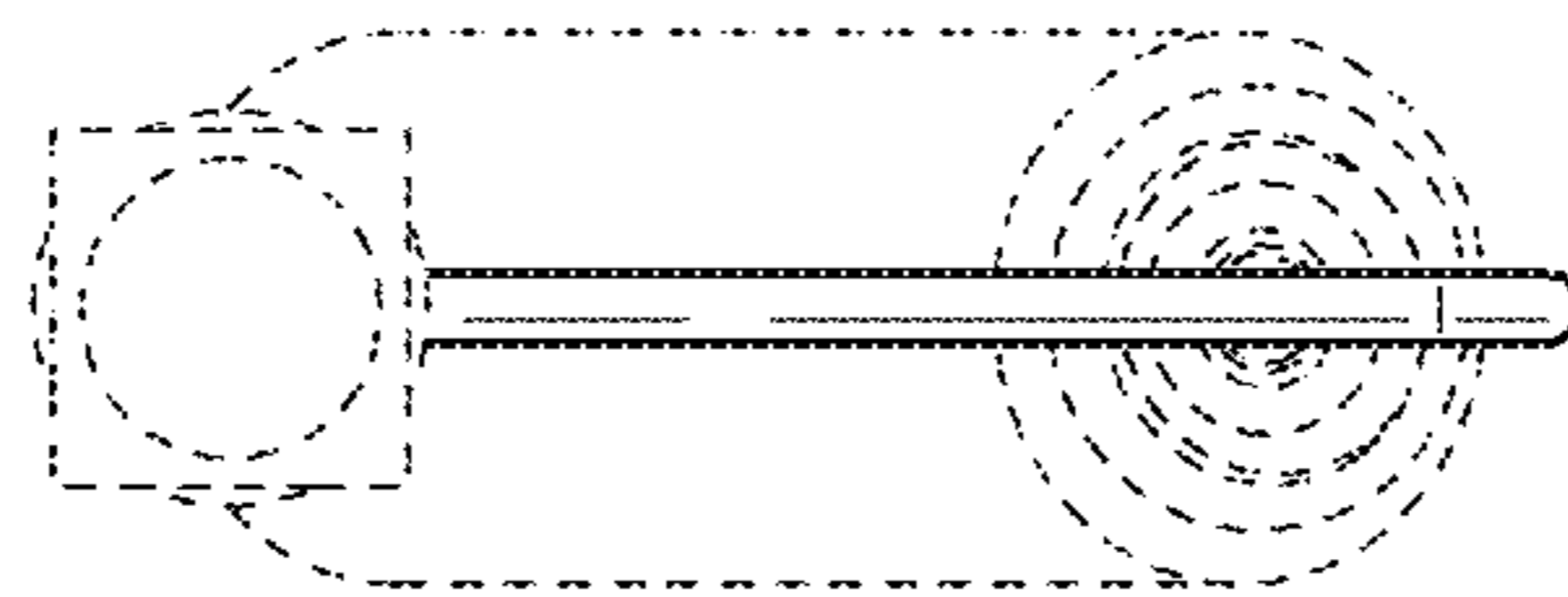


FIG. 7