



US00D953748S

(12) **United States Design Patent** (10) **Patent No.:** **US D953,748 S**  
**Liao et al.** (45) **Date of Patent:** **\*\* Jun. 7, 2022**

(54) **BRUSH HEAD**

(71) Applicant: **The Procter & Gamble Company**,  
Cincinnati, OH (US)

(72) Inventors: **Qian Liao**, Beijing (CN); **Ki Hyun Yoon**, Beijing (CN)

(73) Assignee: **The Procter & Gamble Company**,  
Cincinnati, OH (US)

(\*\*) Term: **15 Years**

(21) Appl. No.: **29/733,751**

(22) Filed: **May 6, 2020**

(30) **Foreign Application Priority Data**

Nov. 7, 2019 (CN) ..... 201930611458.4

(51) **LOC (13) Cl.** ..... **04-02**

(52) **U.S. Cl.**  
USPC ..... **D4/110**

(58) **Field of Classification Search**  
USPC ..... D4/100-138, 199; D24/176, 181  
CPC .... A46B 2200/1066; A46B 2200/1073; A46B  
2200/1086; A46B 5/0095; A61C 17/16;  
A63H 13/00

See application file for complete search history.

(56) **References Cited**

U.S. PATENT DOCUMENTS

D931,615 S \* 9/2021 Huang ..... D4/101  
D931,617 S \* 9/2021 Hallein ..... D4/110  
D933,962 S \* 10/2021 He ..... D4/101

(Continued)

FOREIGN PATENT DOCUMENTS

CN 306959165 \* 11/2021

OTHER PUBLICATIONS

Equate Brush, announced Sep. 2018 [online], [site visited Jan. 12, 2022]. Available from internet, URL: <https://www.walmart.com/ip/Equate-SmileSonic-Pro-Advanced-Clean-Sonic-Replacement-Toothbrush-Brush-Heads-White-3-Count/165611683> (Year: 2018).\*

(Continued)

*Primary Examiner* — Cynthia Ramirez

*Assistant Examiner* — Tamara L Hahn

(74) *Attorney, Agent, or Firm* — Vladimir Vitenberg

(57) **CLAIM**

The ornamental design for a brush head, as shown and described.

**DESCRIPTION**

The patent or application file contains at least one drawing executed in color. Copies of this patent or patent application publication with color drawing(s) will be provided by the Office upon request and payment of the necessary fee.

FIG. 1 is a perspective view of the brush head, showing a first embodiment of our new design;

FIG. 2 is a front view thereof;

FIG. 3 is a left-side view thereof;

FIG. 4 is a back view thereof;

FIG. 5 is a right-side view thereof;

FIG. 6 is a top view thereof; and

FIG. 7 is a bottom view thereof.

FIG. 8 is a perspective view of the brush head, showing a second embodiment of our new design;

FIG. 9 is a front view thereof;

FIG. 10 is a left-side view thereof;

FIG. 11 is a back view thereof;

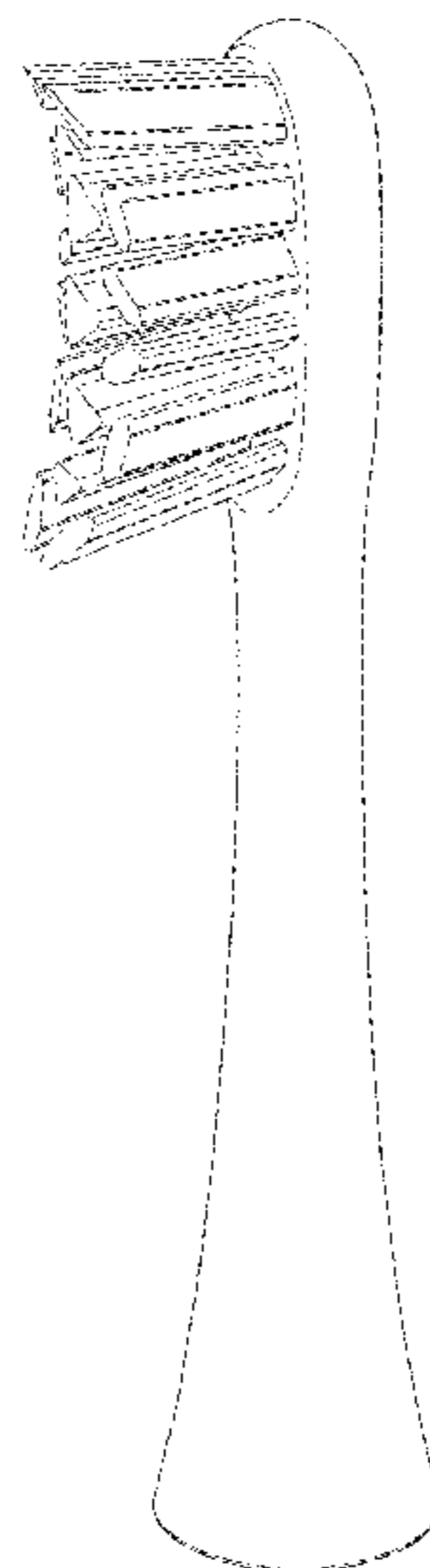
FIG. 12 is a right-side view thereof;

FIG. 13 is a top view thereof; and,

FIG. 14 is a bottom view thereof.

The broken lines in the drawings depict portions of the brush head, which form no part of the claimed design.

**1 Claim, 6 Drawing Sheets**  
**(3 of 6 Drawing Sheet(s) Filed in Color)**



(56)

**References Cited**

U.S. PATENT DOCUMENTS

D935,188 S \* 11/2021 He ..... D4/101  
D935,193 S \* 11/2021 He ..... D4/101

OTHER PUBLICATIONS

Brushmo Brush, announced Sep. 2014 [online], [site visited Jan. 12, 2022]. Available from internet, URL: <https://www.amazon.com/dp/B00NN07IMW> (Year: 2014).\*

Philips Brush, announced Mar. 2018 [online], [site visited Jan. 12, 2022]. Available from internet, URL: [https://www.amazon.com/Philips-Sonicare-DiamondClean-replacement-HX6062/dp/B0795XF6MS/ref=sxin\\_15](https://www.amazon.com/Philips-Sonicare-DiamondClean-replacement-HX6062/dp/B0795XF6MS/ref=sxin_15) (Year: 2018).\*

\* cited by examiner

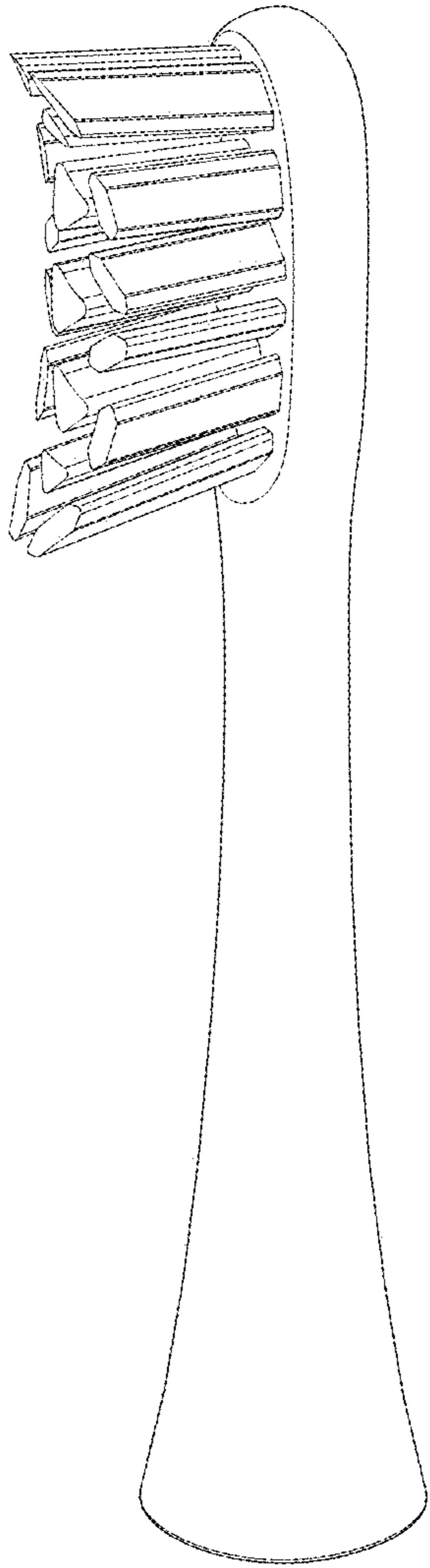


FIG. 1

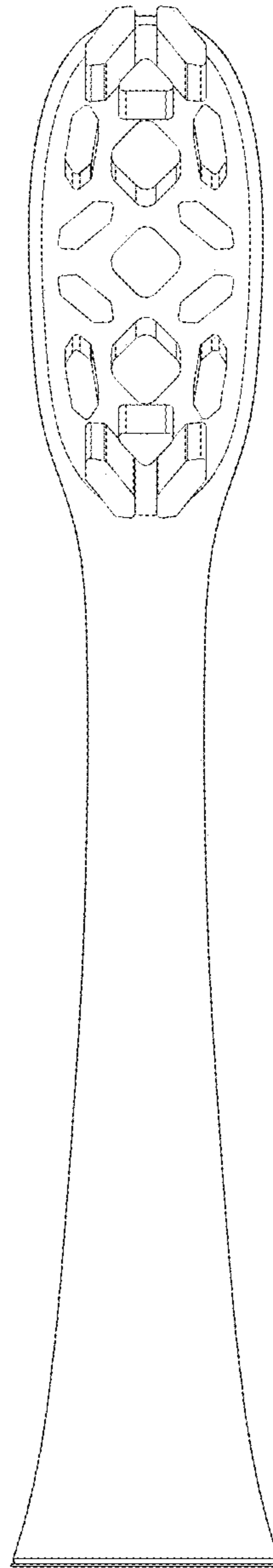


FIG. 2

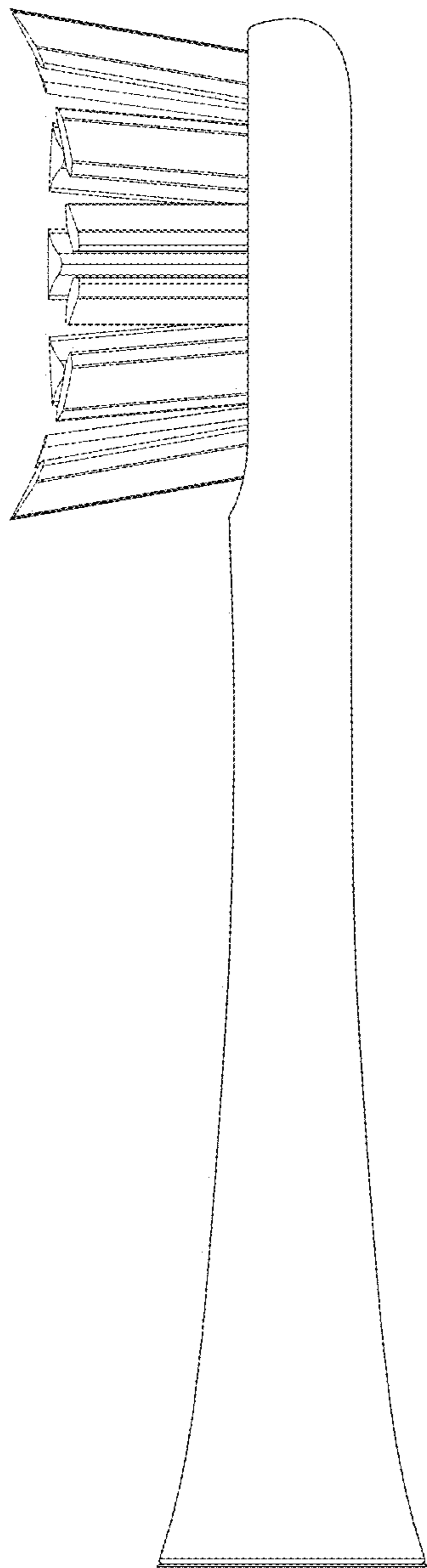


FIG. 3

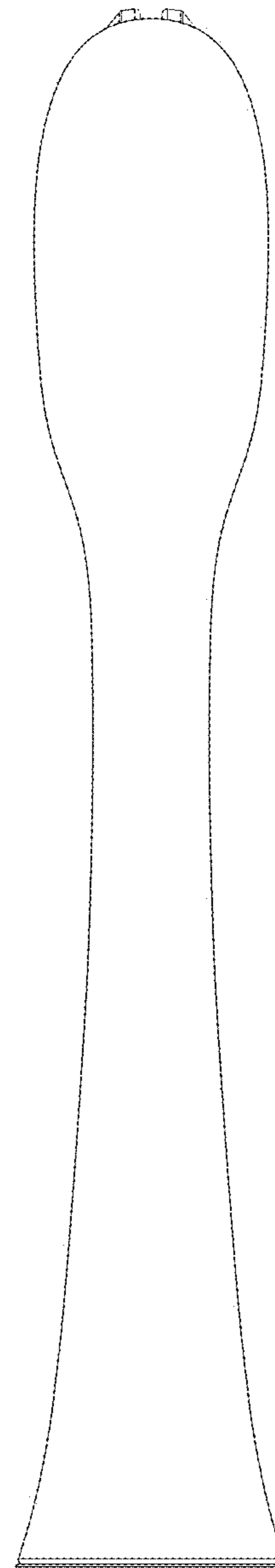


FIG. 4

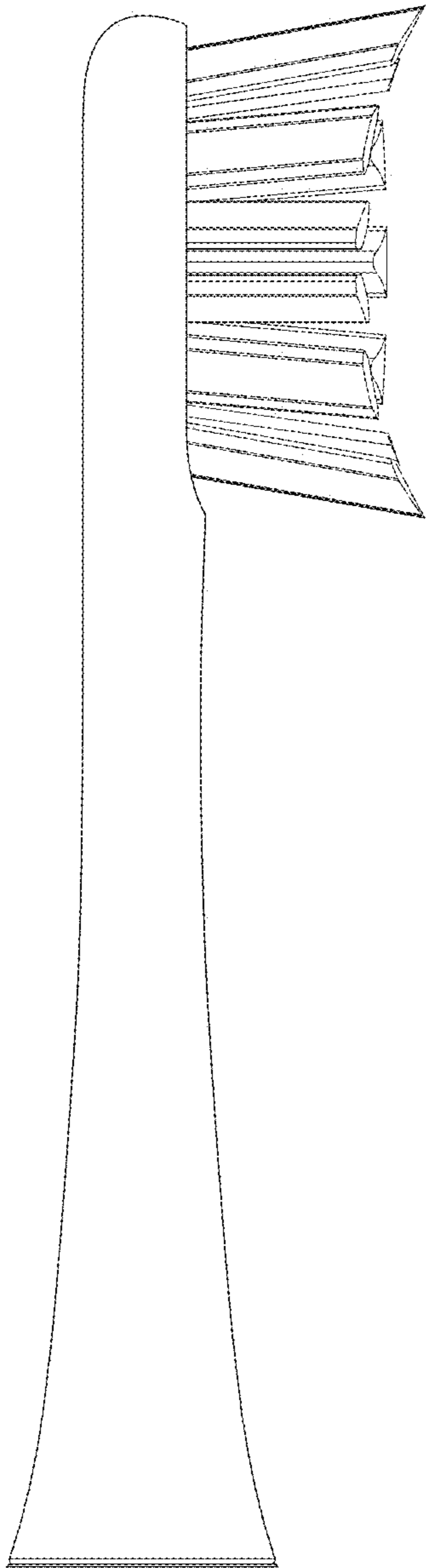


FIG. 5

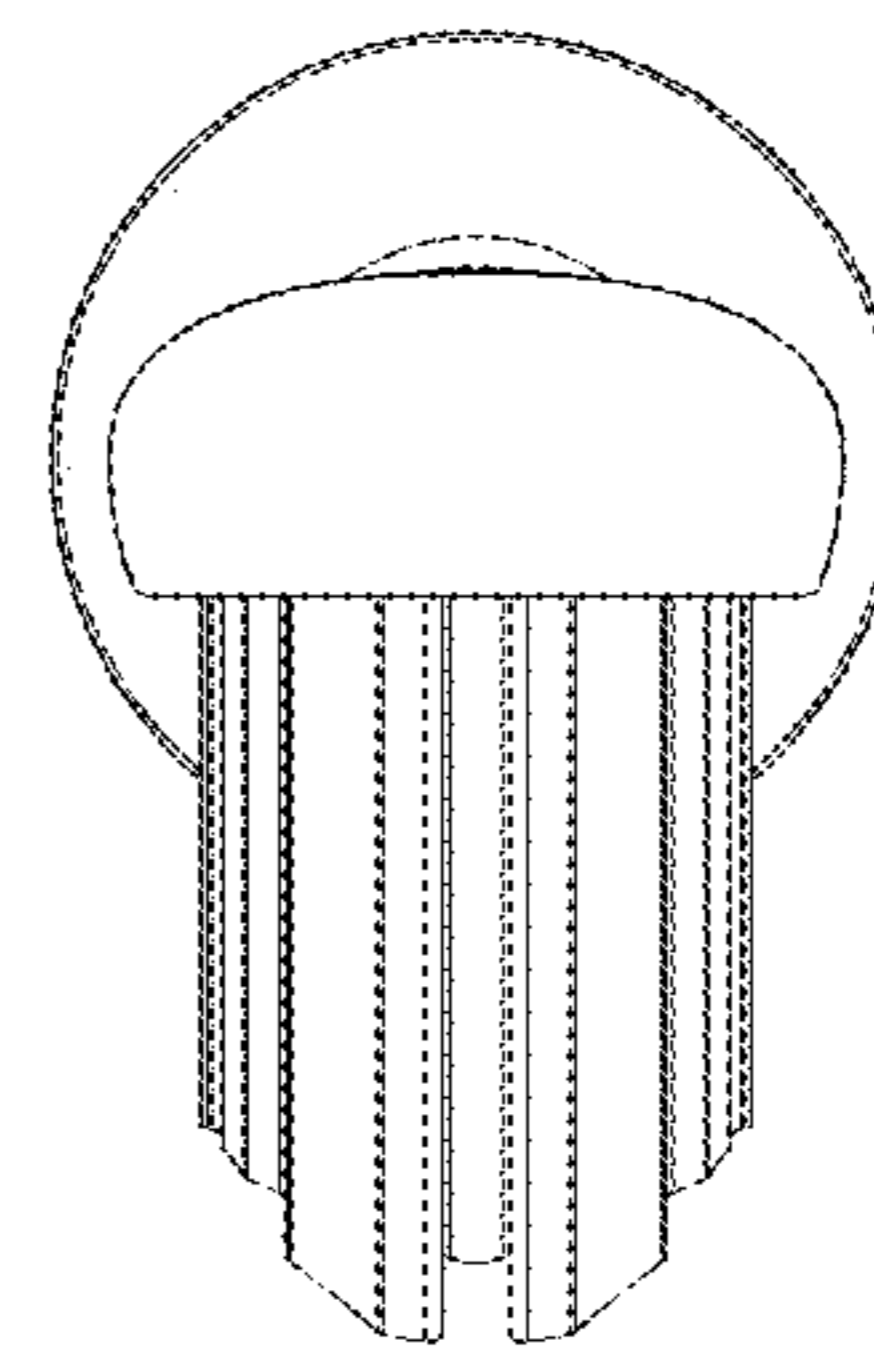


FIG. 6

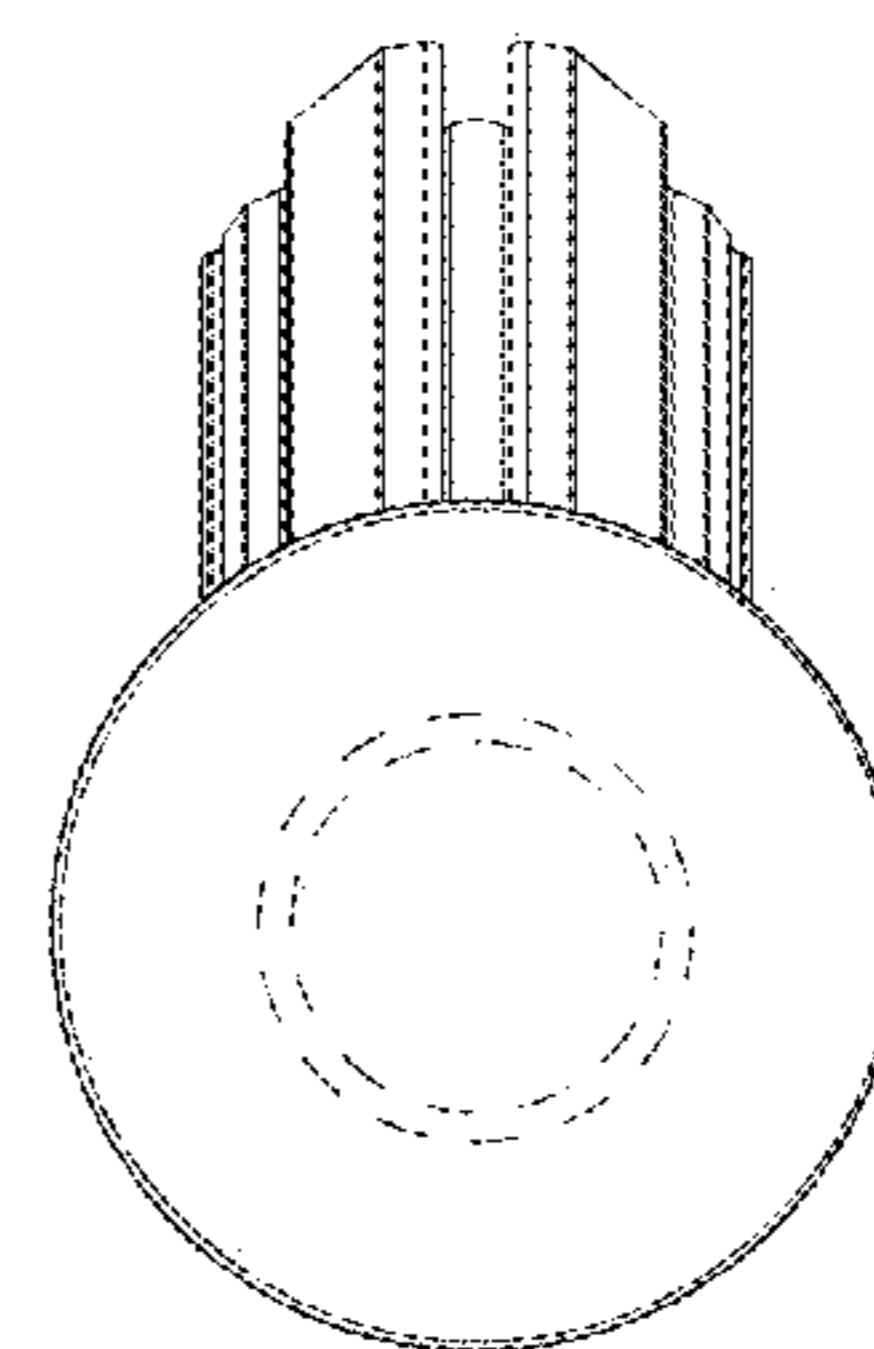


FIG. 7



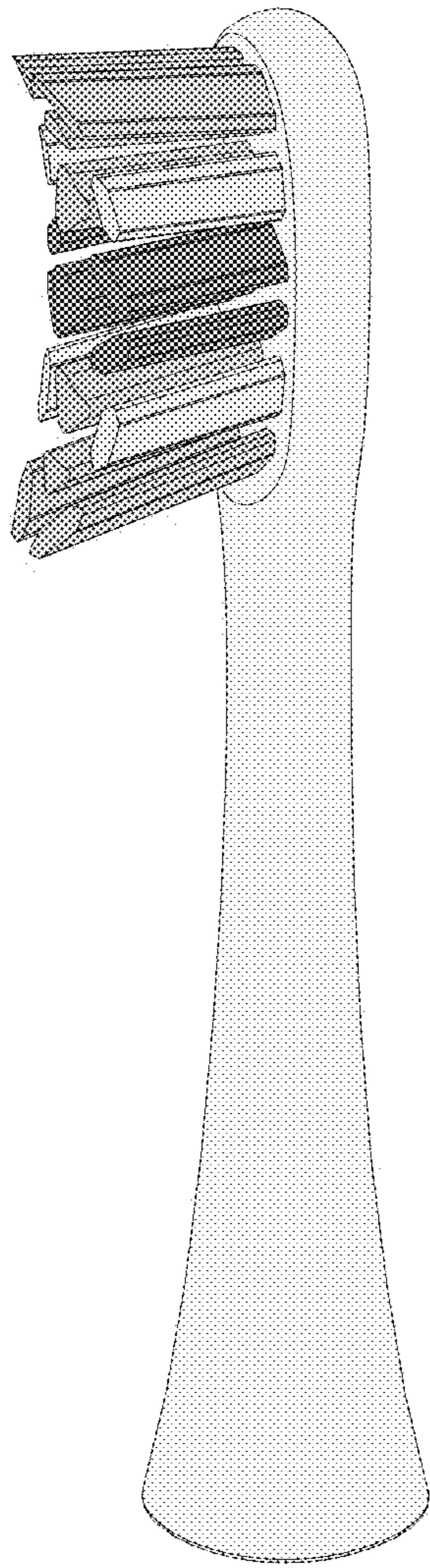


FIG. 8

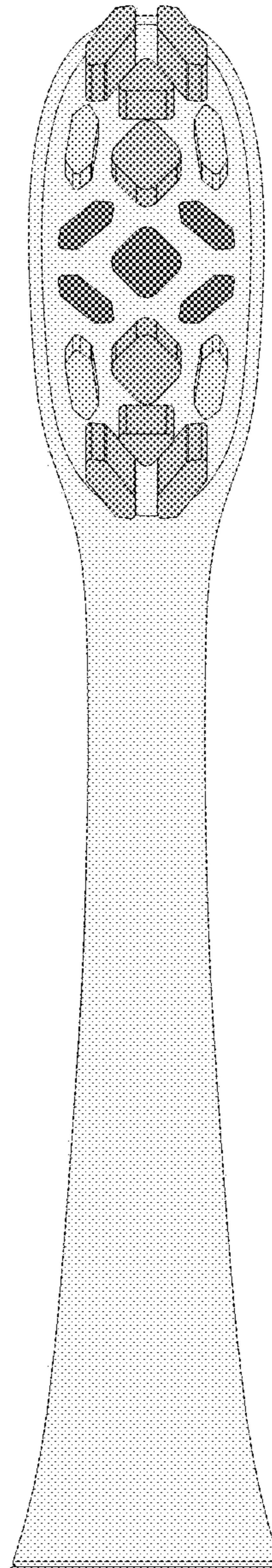


FIG. 9

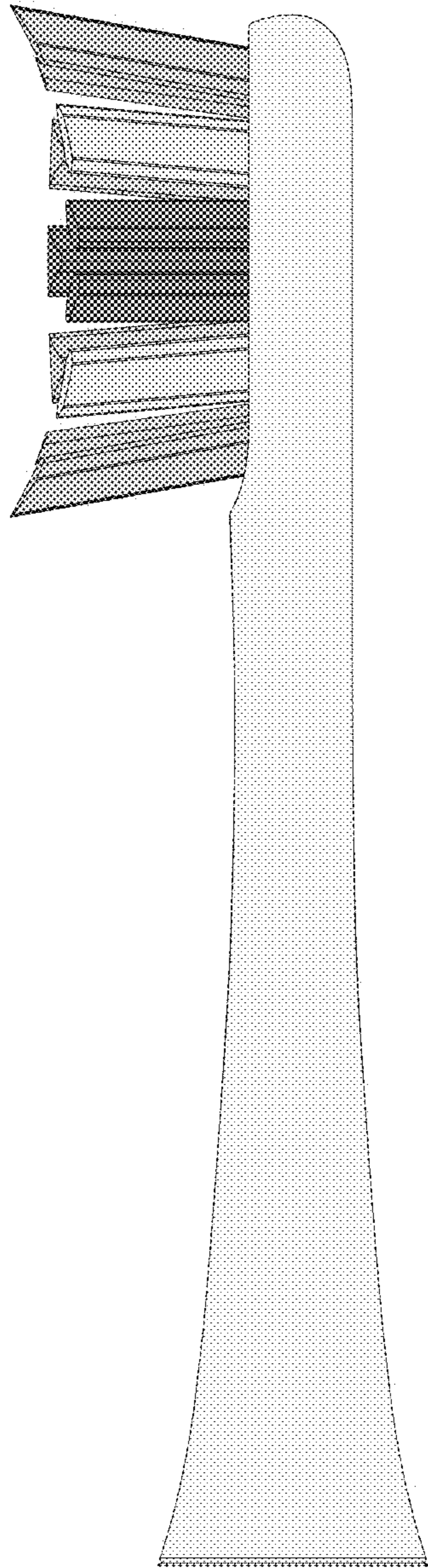


FIG. 10

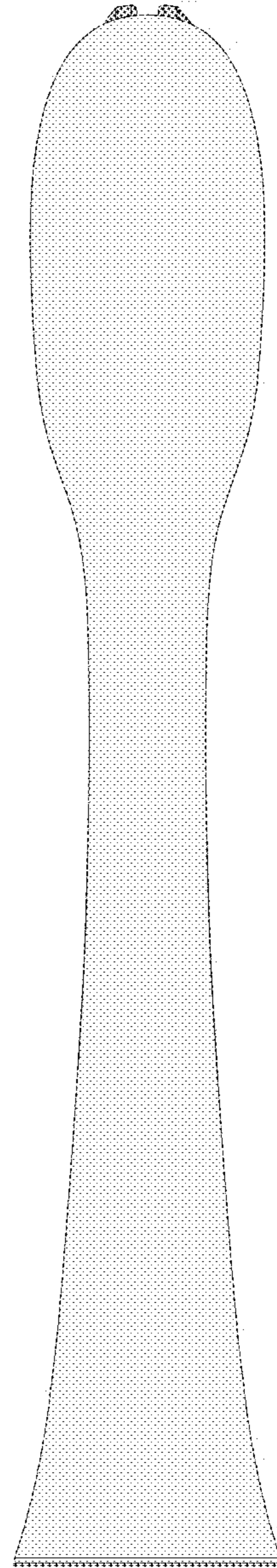


FIG. 11

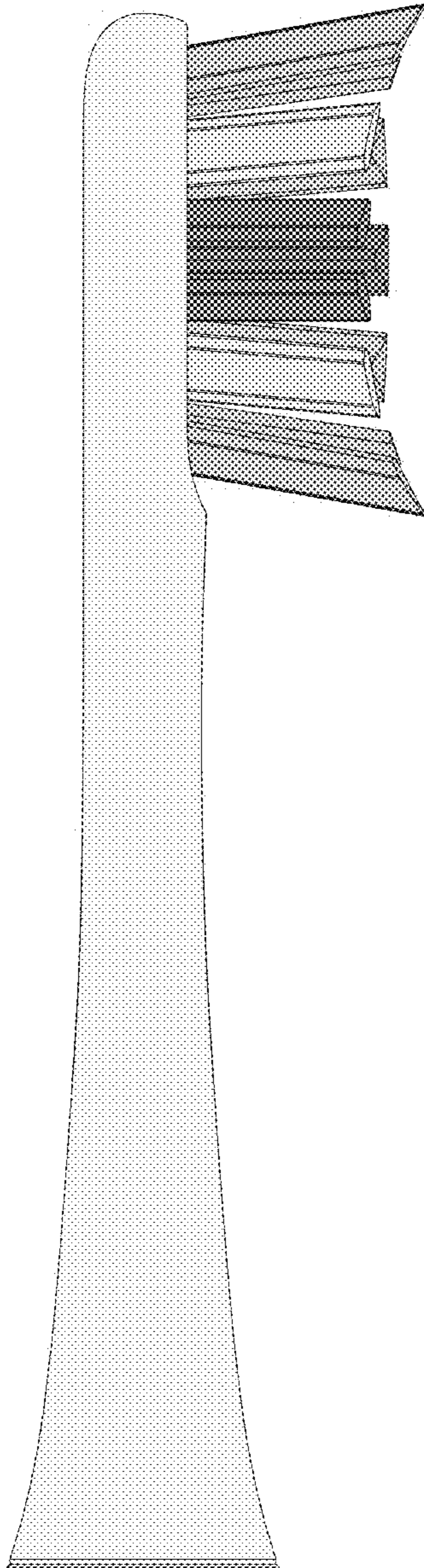


FIG. 12

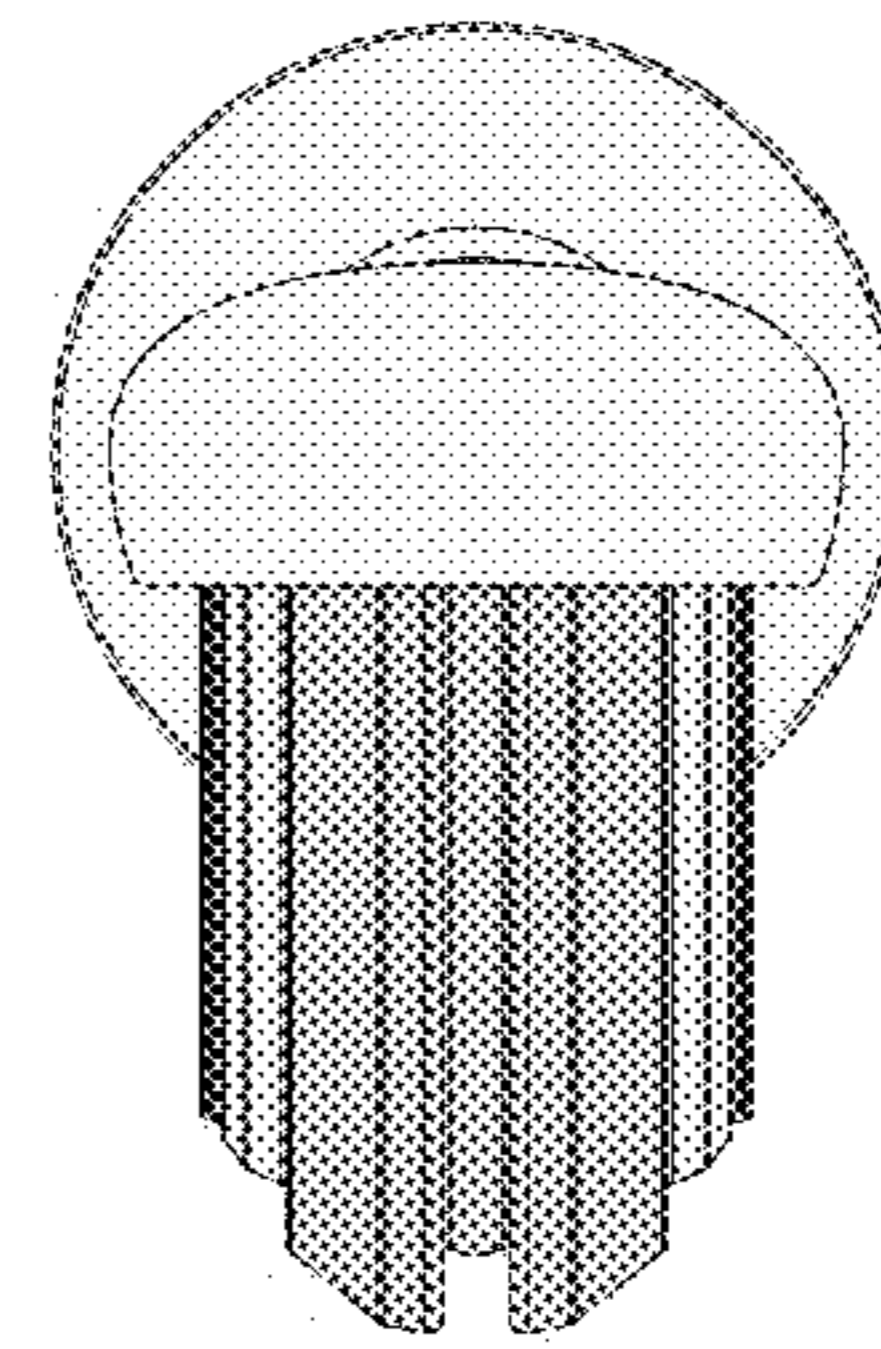


FIG. 13

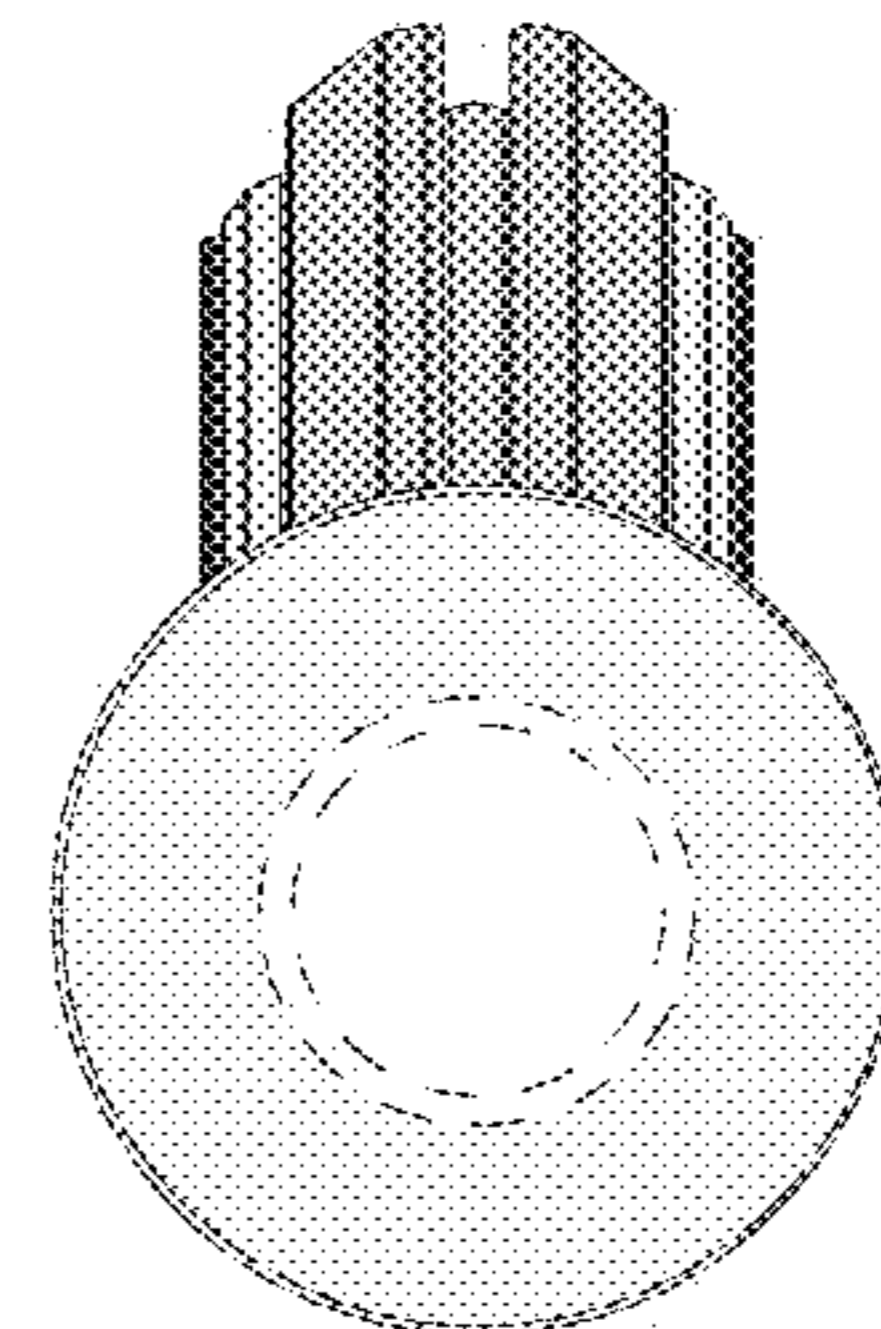


FIG. 14