



US00D953743S

(12) **United States Design Patent**  
**Yang**

(10) **Patent No.:** **US D953,743 S**  
(45) **Date of Patent:** **\*\* Jun. 7, 2022**

(54) **HAIR STRAIGHTENER BRUSH OR COMB**

(71) Applicant: **HUIZHOU SHENCHUANG INDUSTRIAL CO., LTD.**, Huizhou (CN)

(72) Inventor: **Yanguo Yang**, Huizhou (CN)

(73) Assignee: **HUIZHOU SHENCHUANG INDUSTRIAL CO., LTD.**, Huizhou (CN)

(\*\*) Term: **15 Years**

(21) Appl. No.: **29/735,961**

(22) Filed: **May 26, 2020**

(51) **LOC (13) Cl.** ..... **28-01**

(52) **U.S. Cl.**  
USPC ..... **D4/100; D28/35**

(58) **Field of Classification Search**  
USPC ..... D4/100, 121, 127, 128, 129, 130, 132, D4/133, 134, 135, 136, 137, 138, 199; D28/24, 35; D30/158, 159  
CPC ..... A45D 20/48; A45D 20/50; A45D 20/52; A45D 2/001; A45D 2/002; A46B 9/023; A46B 15/0059; A46B 2200/104; A46B 2200/1093; A46B 2200/10  
See application file for complete search history.

(56) **References Cited**

**U.S. PATENT DOCUMENTS**

D114,197 S \* 4/1939 Muller-Munk ..... D4/134  
5,150,491 A \* 9/1992 Ikemoto ..... A46B 9/023  
132/219  
D367,559 S \* 3/1996 Leslie ..... D4/138  
D663,124 S \* 7/2012 Prince ..... D4/116  
8,267,098 B2 \* 9/2012 Glucksmann ..... A45D 20/48  
132/136  
D765,911 S \* 9/2016 Hollinger ..... D28/35

D906,678 S \* 1/2021 Ge ..... D4/100  
D912,321 S \* 3/2021 Huang ..... D28/35  
2015/0122286 A1 \* 5/2015 Valle ..... A45D 1/28  
132/229  
2016/0360847 A1 \* 12/2016 He ..... A45D 2/002

**FOREIGN PATENT DOCUMENTS**

CN 302353184 \* 3/2013  
CN 303650262 \* 4/2016  
CN 305583430 \* 1/2020  
EM 002883389-0001 \* 12/2015  
KR 300874065.0000 \* 9/2016

\* cited by examiner

*Primary Examiner* — Karen E Eldridge Powers  
(74) *Attorney, Agent, or Firm* — Muncy, Geissler, Olds & Lowe, P.C.

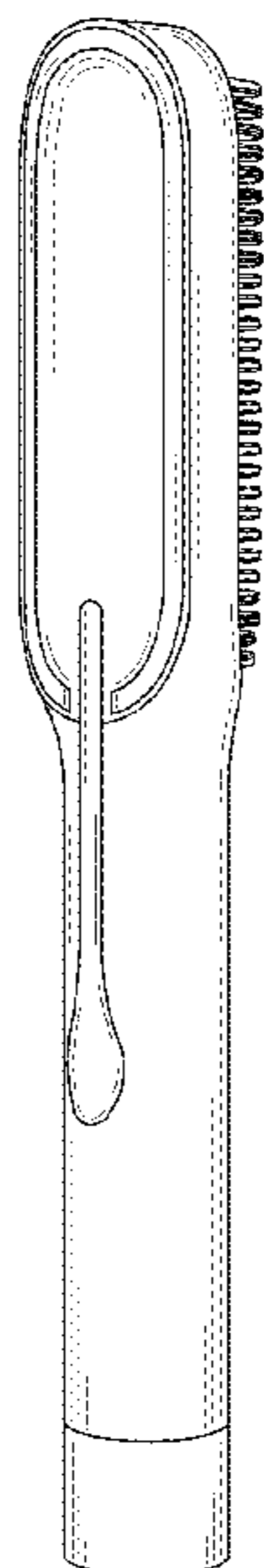
(57) **CLAIM**

The ornamental design for a hair straightener brush or comb, as shown and described.

**DESCRIPTION**

FIG. 1 is a rear elevation view of a hair straightener brush or comb;  
FIG. 2 is a left side elevation view of the hair straightener brush or comb;  
FIG. 3 is a front elevation view of the hair straightener brush or comb;  
FIG. 4 is a right side elevation view of the hair straightener brush or comb;  
FIG. 5 is an enlarged top plan view of the hair straightener brush or comb;  
FIG. 6 is an enlarged bottom plan view of the hair straightener brush or comb;  
FIG. 7 is a top, rear and left side perspective view of the hair straightener brush or comb; and,  
FIG. 8 is a top, front and right side perspective view of the hair straightener brush or comb.

**1 Claim, 8 Drawing Sheets**



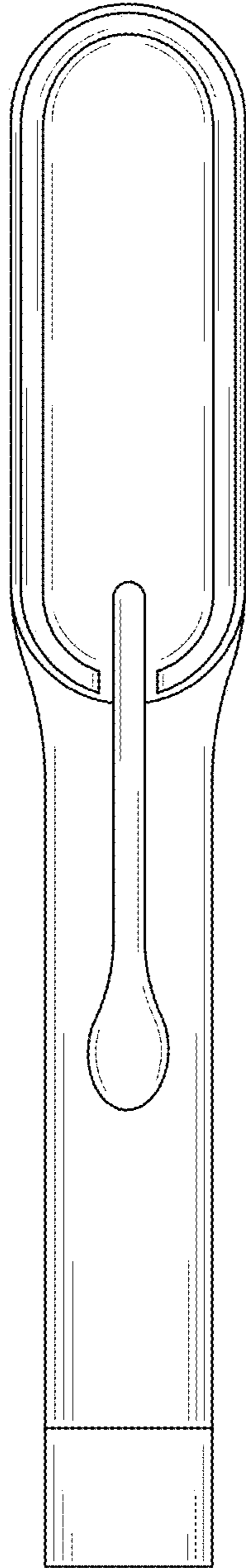


FIG. 1

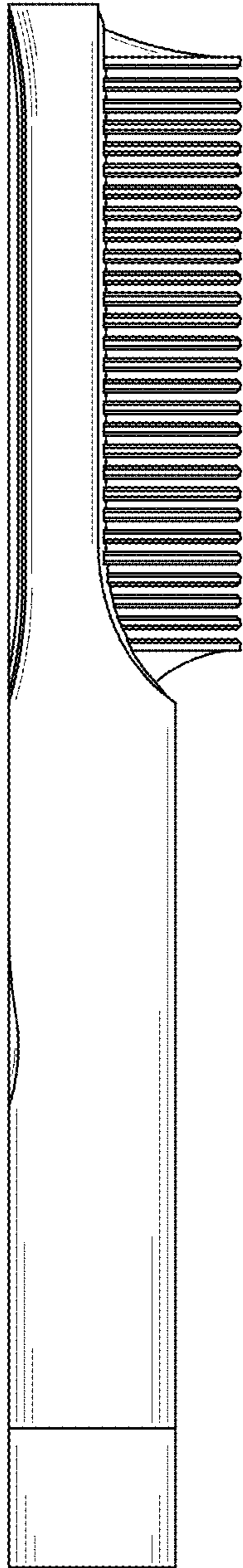


FIG. 2

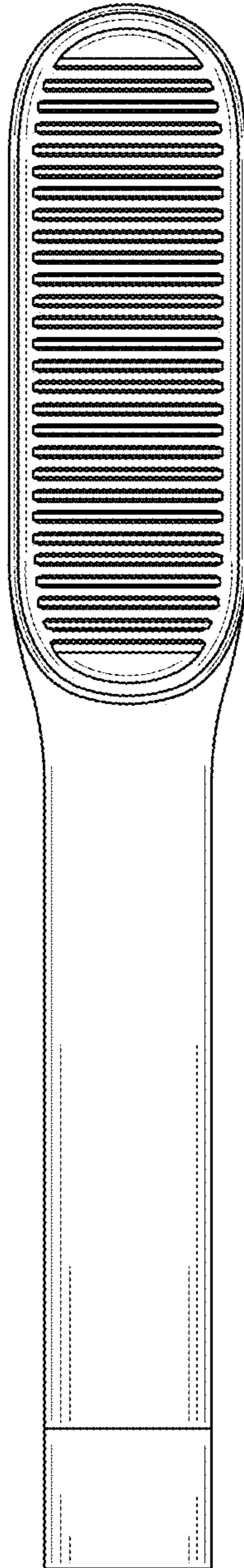


FIG. 3

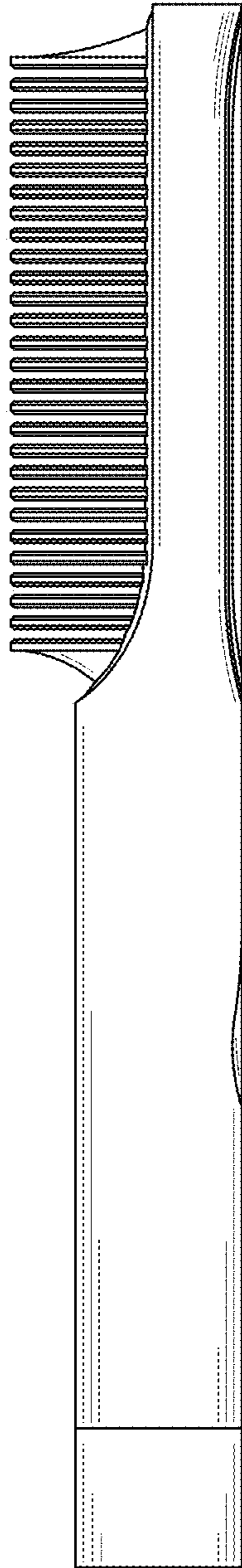


FIG. 4

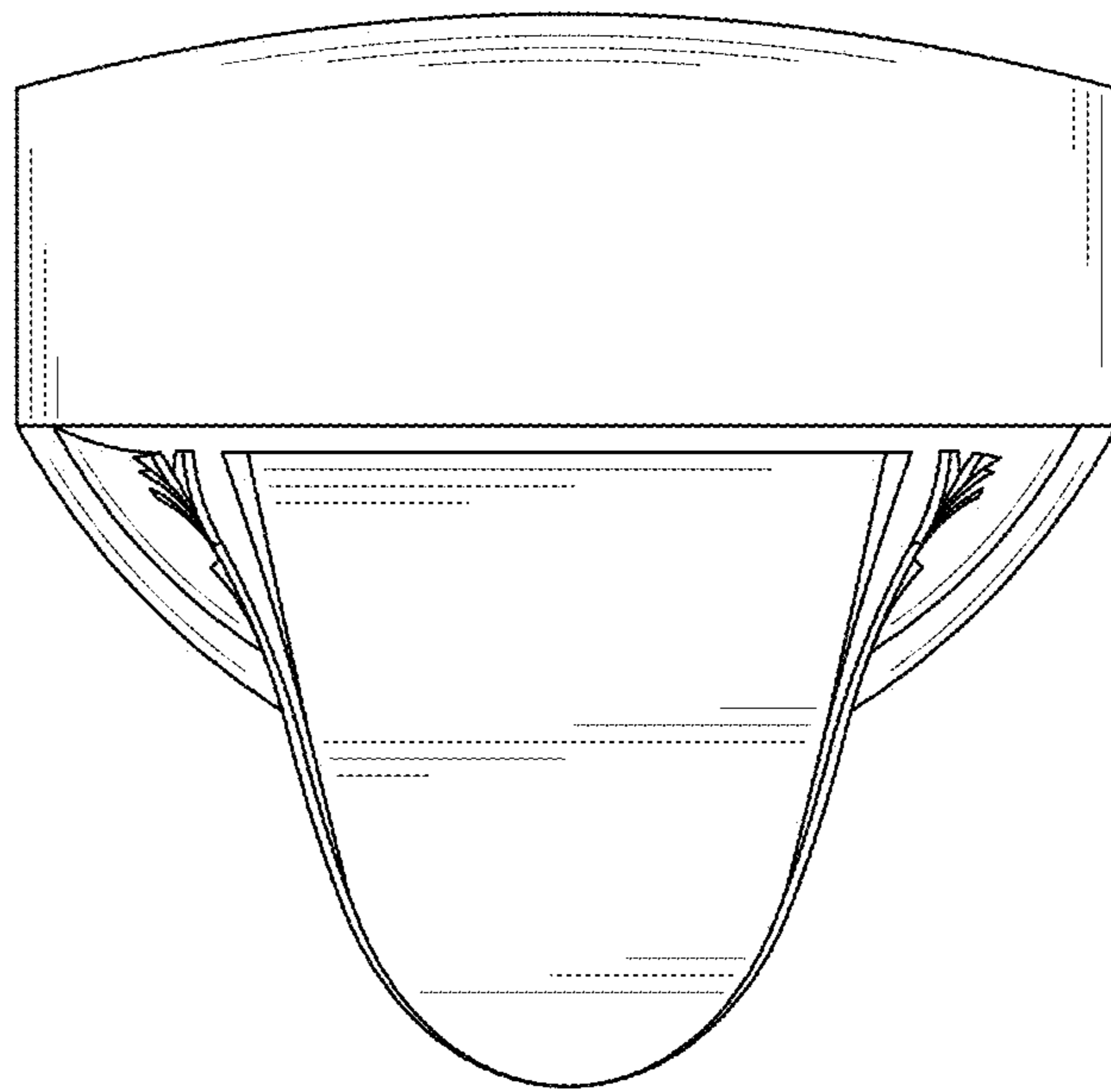


FIG. 5

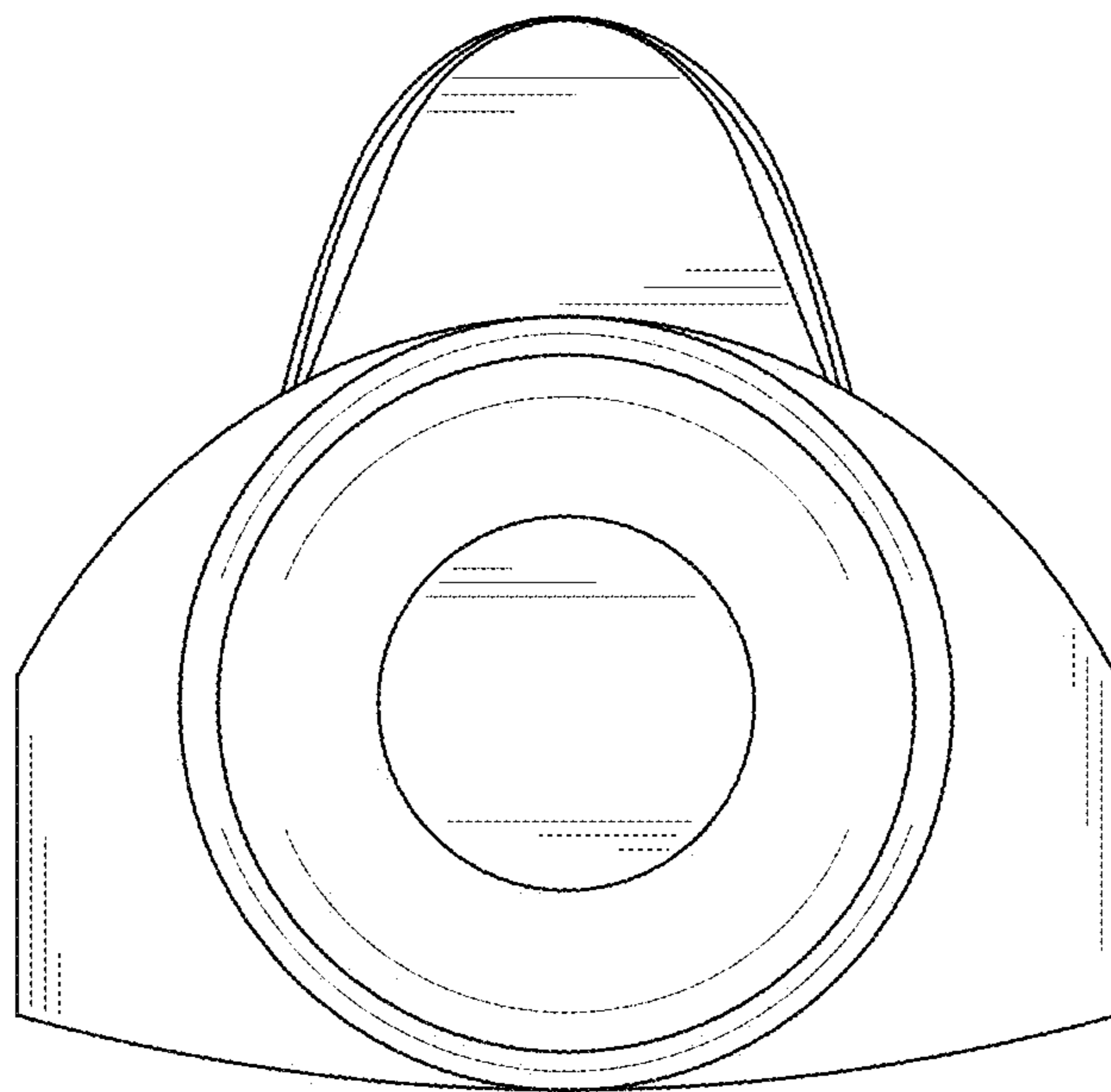


FIG. 6

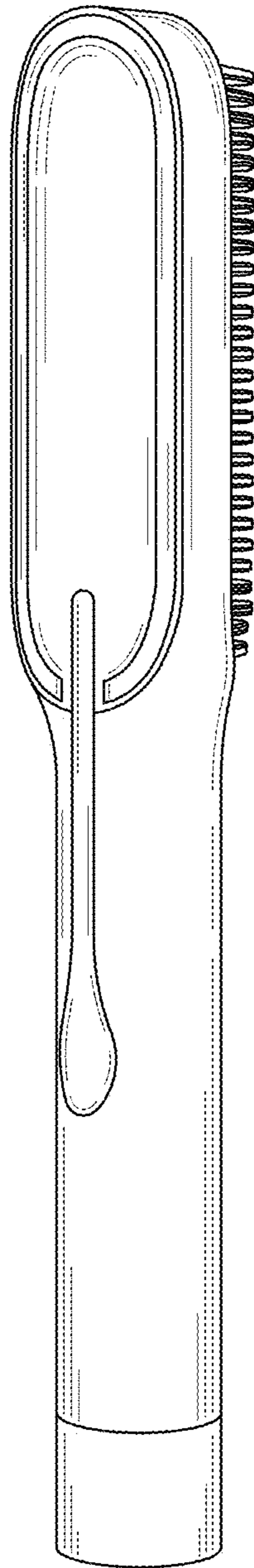


FIG. 7



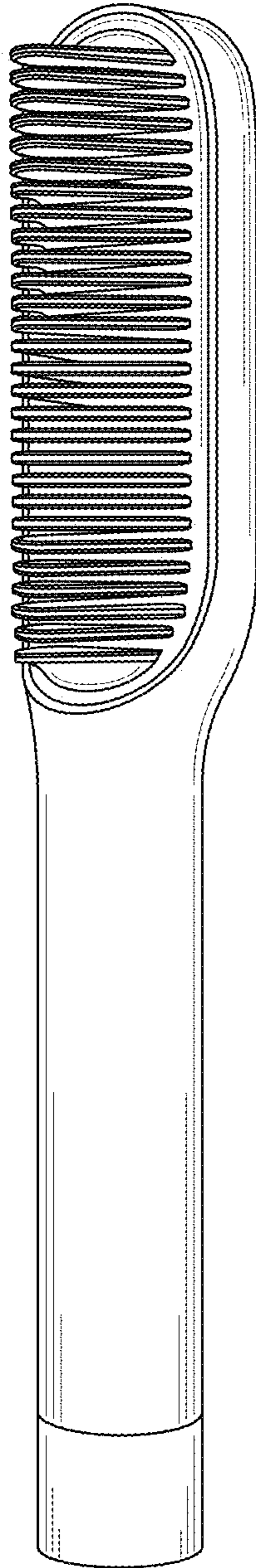


FIG. 8