



US00D953741S

(12) **United States Design Patent** (10) **Patent No.:** **US D953,741 S**
Khan et al. (45) **Date of Patent:** **** Jun. 7, 2022**

(54) **STRING LIGHT STORAGE CONTAINER**

(71) Applicants: **Abdul Khan**, Lovettsville, VA (US);
Bich Nguyen, Lovettsville, VA (US)
(72) Inventors: **Abdul Khan**, Lovettsville, VA (US);
Bich Nguyen, Lovettsville, VA (US)

(**) Term: **15 Years**

(21) Appl. No.: **29/694,750**

(22) Filed: **Jun. 13, 2019**

(51) **LOC (13) Cl.** **03-01**

(52) **U.S. Cl.**
USPC **D3/302**

(58) **Field of Classification Search**
USPC D3/201, 203.1, 203.2, 203.3, 203.4, 262,
D3/272-274, 294, 295, 298, 302, 901,
D3/903, 905; D7/602, 605, 629, 591,
D7/596, 597, 701, 707; D27/172, 183,
D27/184, 186, 190; D6/407, 632;
D9/428

CPC B65D 21/00; B65D 21/0204; B65D
21/0233; B65D 25/04; B65D 81/3283;
B65D 21/0217; A47J 47/02; A47J 47/10;
G11B 33/045; G11B 33/0477; B65H
75/02

See application file for complete search history.

(56) **References Cited**

U.S. PATENT DOCUMENTS

4,355,340	A	10/1982	Butz	
4,516,678	A *	5/1985	Fotiadis G11B 33/0472 206/308.3
4,572,376	A	2/1986	Wrennall	
4,784,263	A	11/1988	Stanley	
4,826,008	A	5/1989	Cloosterman	
5,232,120	A	8/1993	Dunken et al.	
D339,976	S *	10/1993	Ferguson, Sr. D8/359
D375,251	S *	11/1996	Stevens D8/359
5,868,334	A *	2/1999	Cedillo B65H 75/406 242/405.3
D455,552	S *	4/2002	Charness D3/302

(Continued)

OTHER PUBLICATIONS

Wrap the Bulbz String Lights Container, posted on amazon.com, no posting date, retrieved Jul. 14, 2021, online, URL: <https://www.amazon.com/Wrap-Bulbz-String-Lights-Container/dp/B07NG37ZNX?th=1> (Year: 2021).*

(Continued)

Primary Examiner — Mary Shannon Malley
(74) *Attorney, Agent, or Firm* — Global Intellectual Property Agency, LLC; Daniel Boudwin

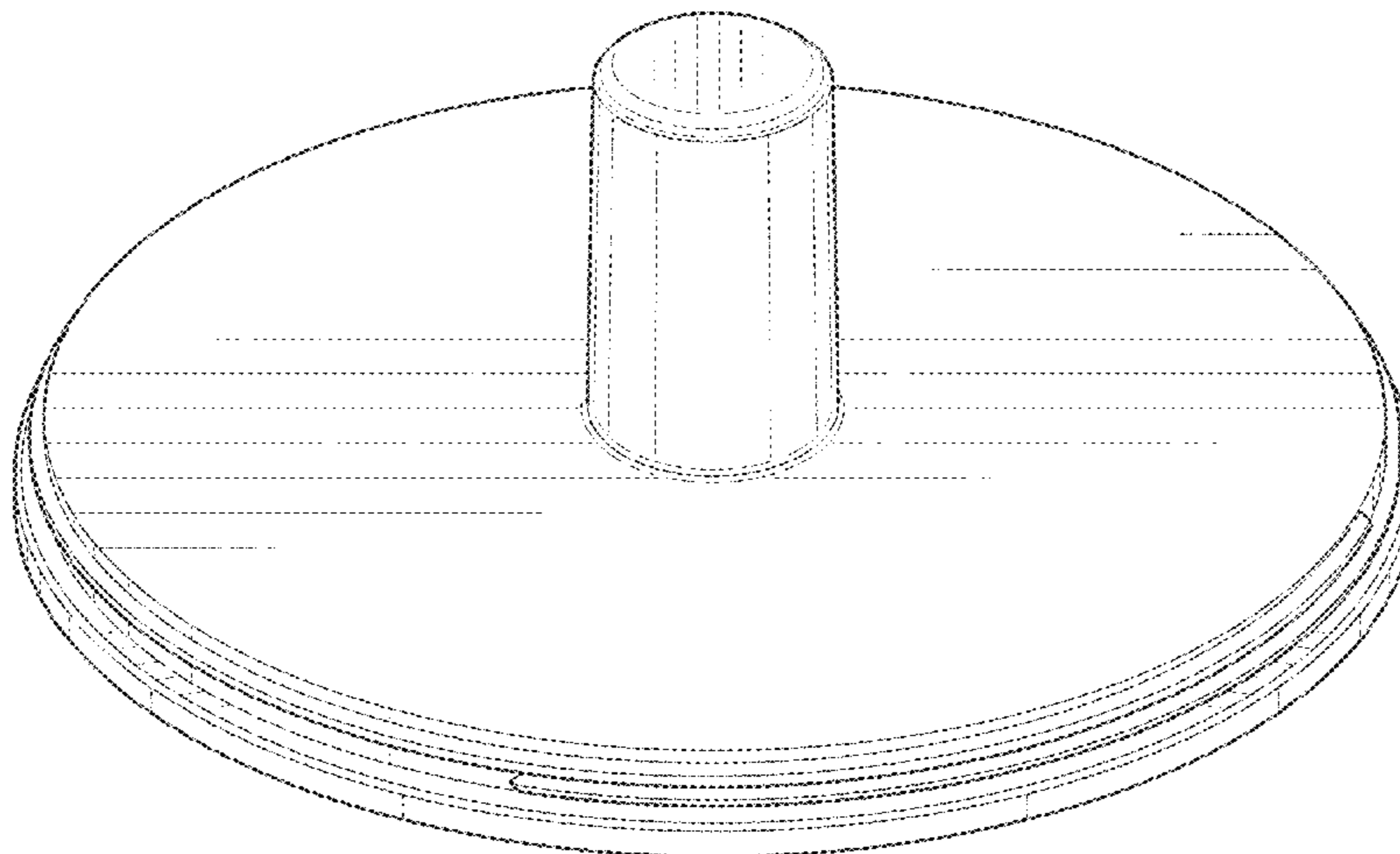
(57) **CLAIM**

The ornamental design for a string light storage container, as shown and described.

DESCRIPTION

FIG. 1 shows a perspective view of a base of a string light storage container;
FIG. 2 shows a front view of thereof;
FIG. 3 shows a rear view of thereof;
FIG. 4 shows a right side view thereof;
FIG. 5 shows a left side view thereof;
FIG. 6 shows a top plan view thereof;
FIG. 7 shows a bottom plan view thereof;
FIG. 8 shows a perspective view of a string light storage container;
FIG. 9 shows a front view of thereof;
FIG. 10 shows a rear view of thereof;
FIG. 11 shows a right side view thereof;
FIG. 12 shows a left side view thereof;
FIG. 13 shows a bottom plan view thereof; and,
FIG. 14 shows a top plan view thereof.
The broken lines shown in the figures show portions of the string light storage container which form no part of the claimed design.

1 Claim, 14 Drawing Sheets



(56)

References Cited

U.S. PATENT DOCUMENTS

7,121,405 B2 * 10/2006 Ito G11B 33/045
206/308.1
7,316,312 B2 * 1/2008 Chiu B65D 75/004
206/303
D589,737 S * 4/2009 Wang D6/632
D799,825 S * 10/2017 Bores D3/302
D865,362 S * 11/2019 Schafer A45C 11/16
D3/302
D911,701 S * 3/2021 Bestel A61C 17/036
D3/203.1
2003/0098251 A1 * 5/2003 Yang G11B 33/045
206/303
2006/0185996 A1 * 8/2006 Su G11B 23/30
206/308.1
2008/0017534 A1 * 1/2008 Lo G11B 33/045
206/307.1
2019/0292007 A1 * 9/2019 Khan B65D 21/0217

OTHER PUBLICATIONS

Wrap the Bulbz String Lights Container, posted at buyfeeb.com, no posting date, retrieved Jul. 14, 2021, online, URL: https://www.buyfeeb.com/index.php?main_page=product_info&products_id=71956 (Year: 2021).*

* cited by examiner

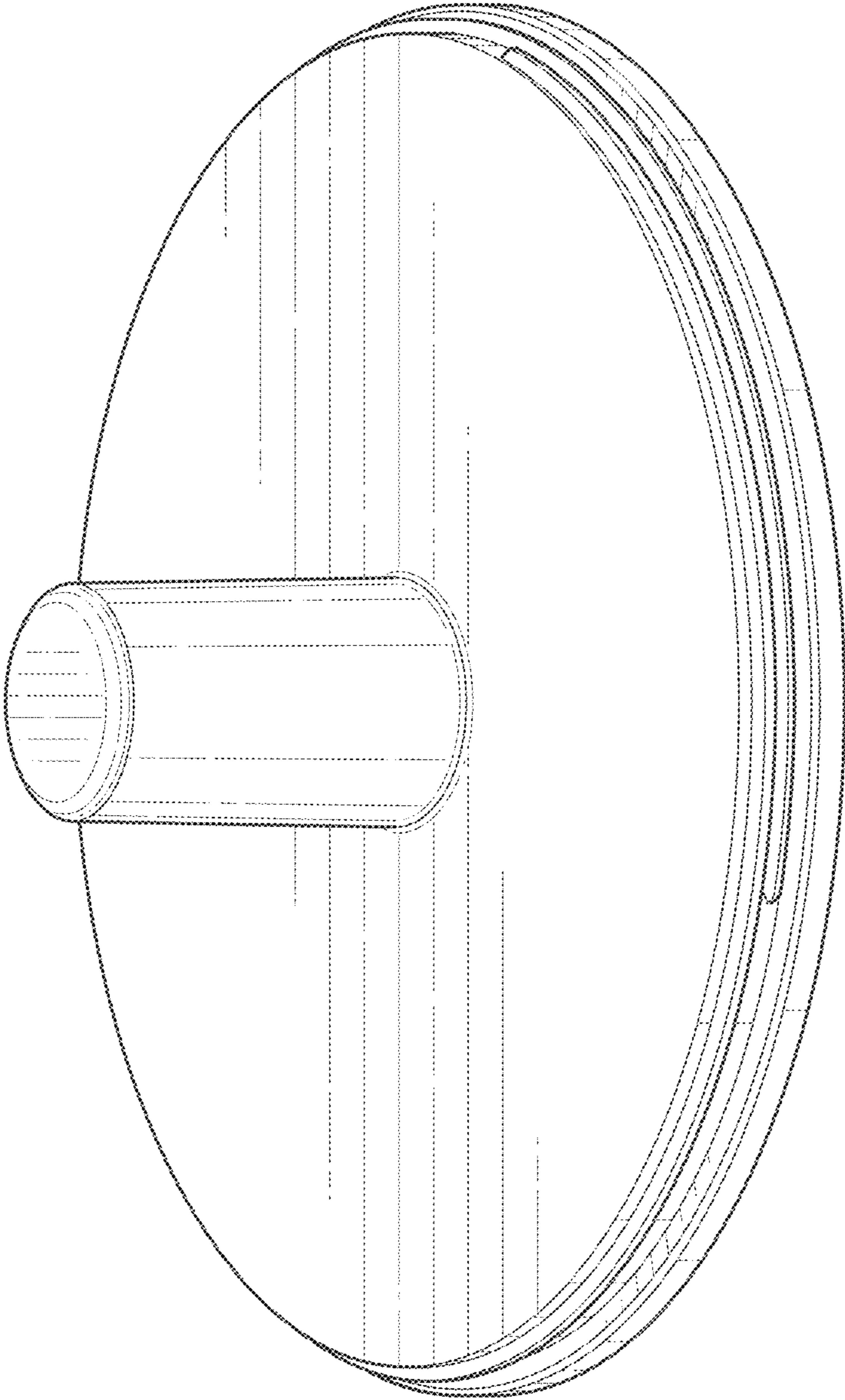


FIG. 1

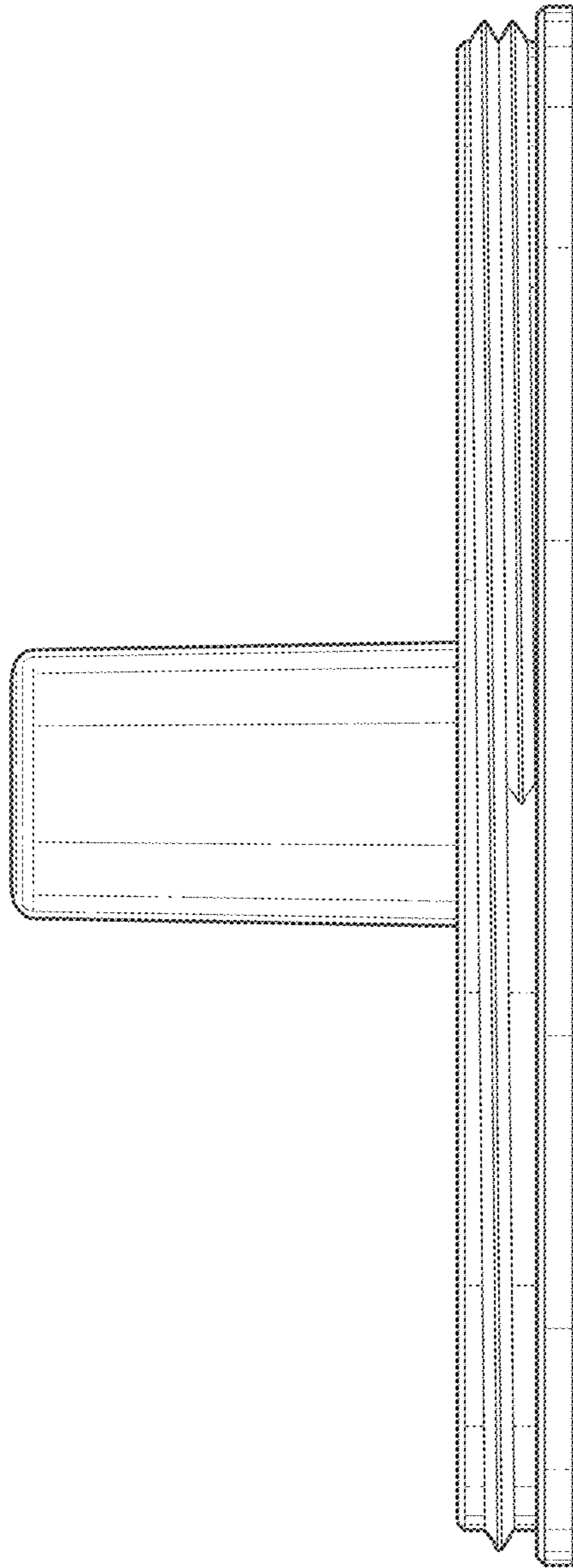


FIG. 2

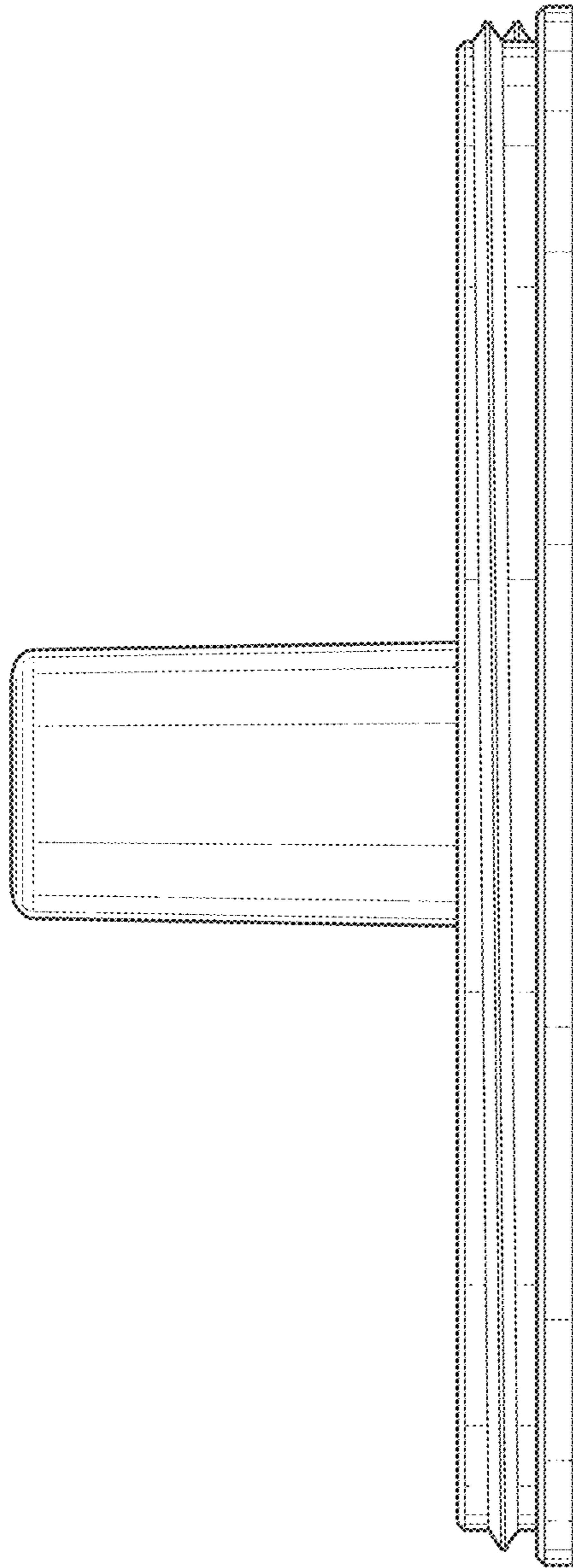


FIG. 3

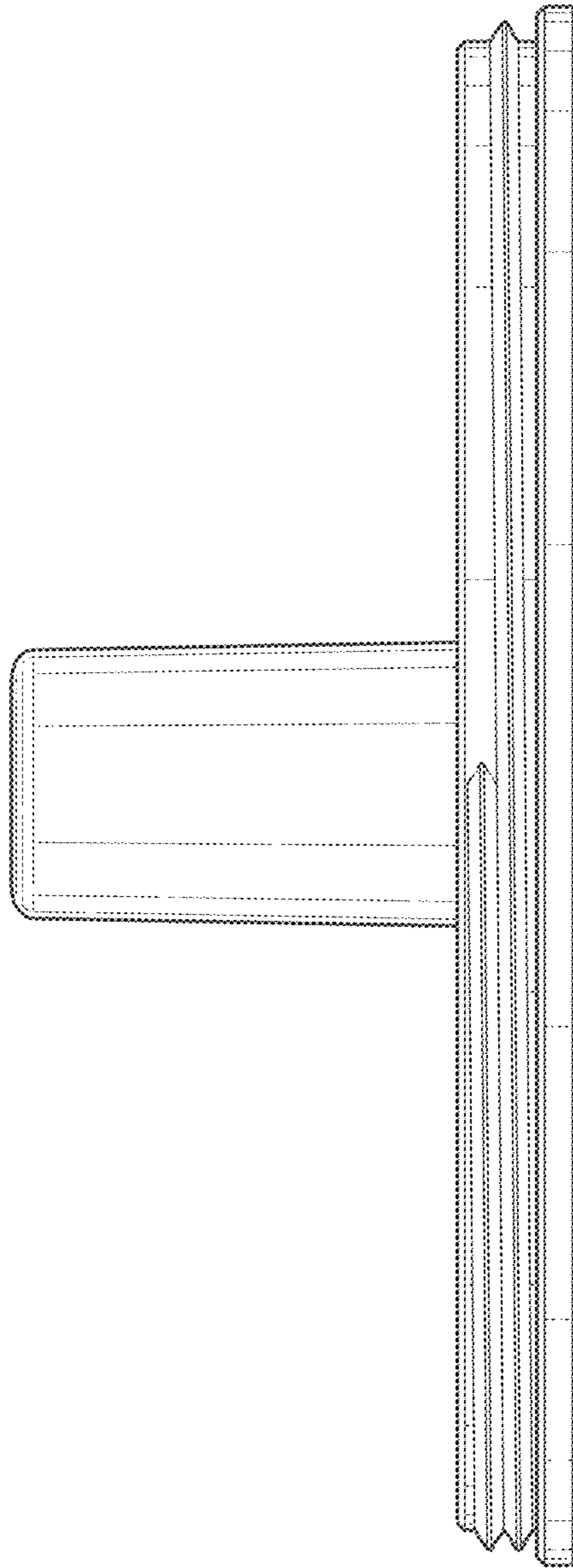


FIG. 4

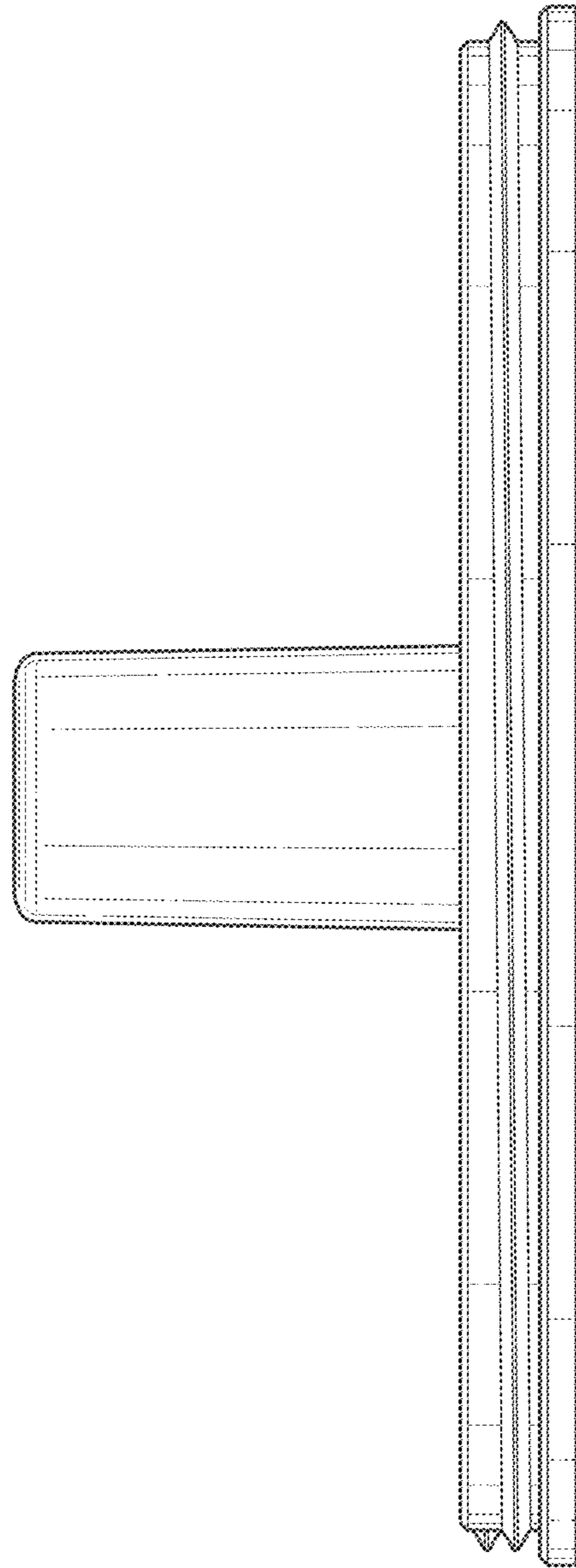


FIG. 5

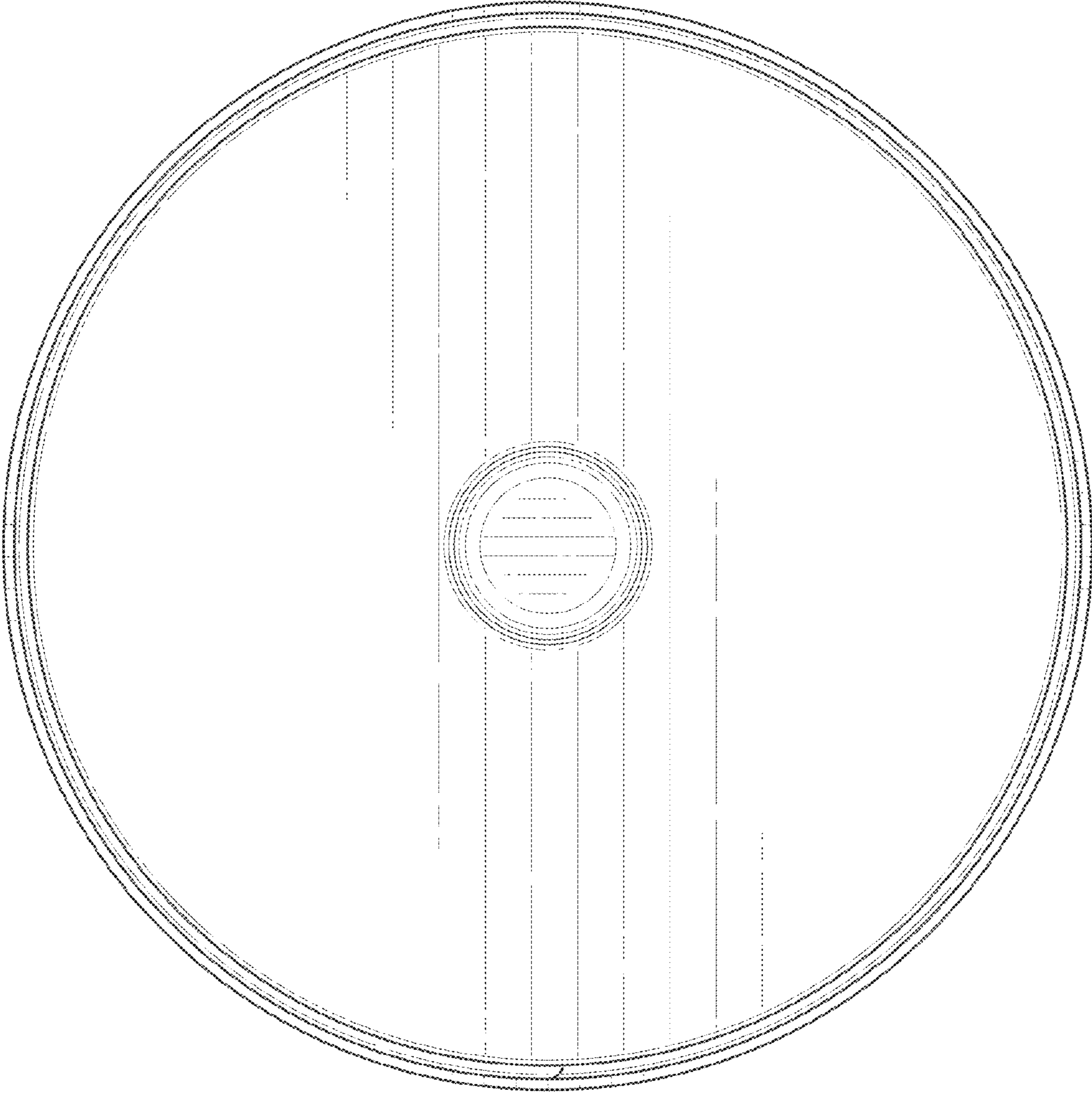


FIG. 6

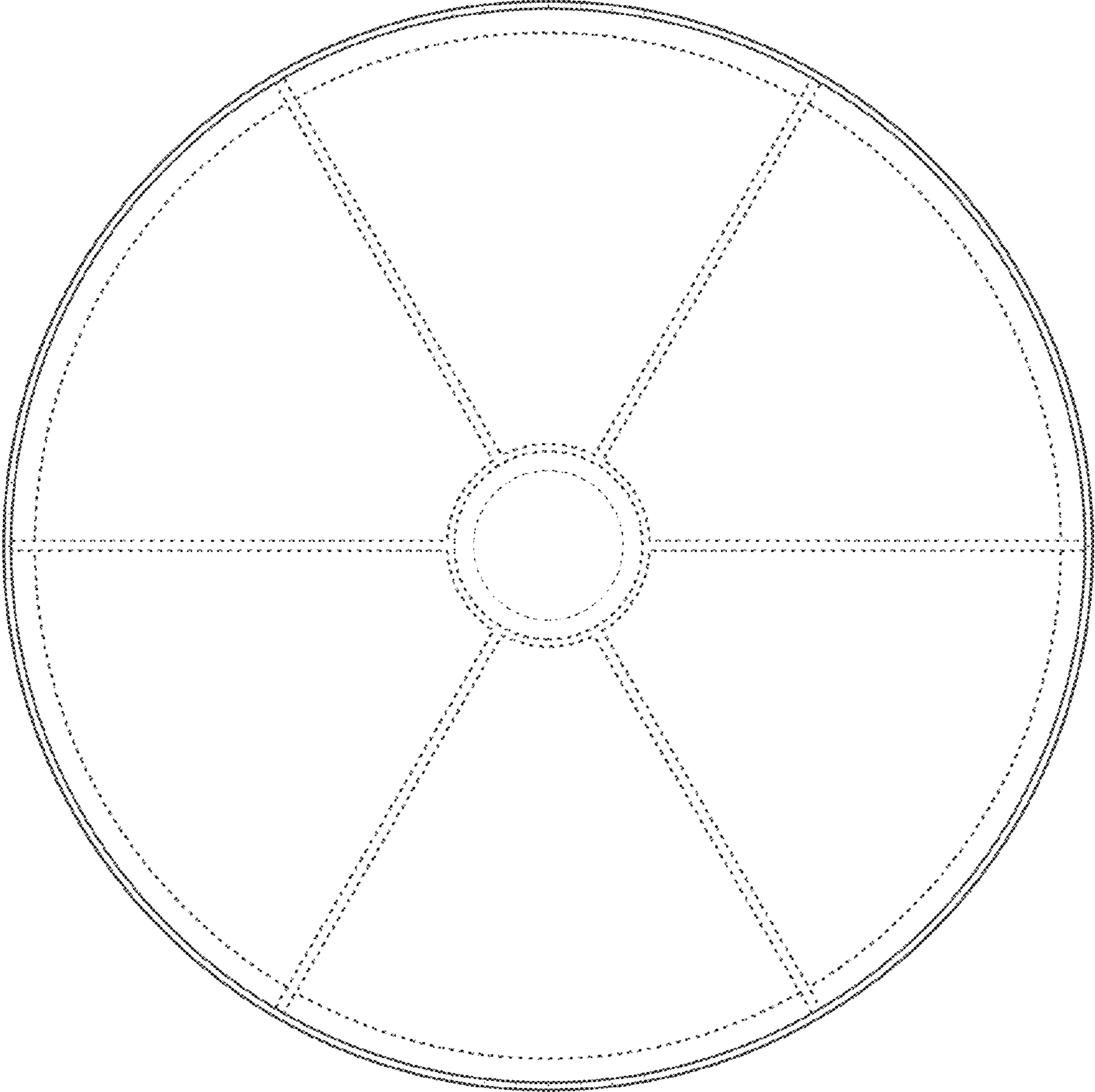


FIG. 7

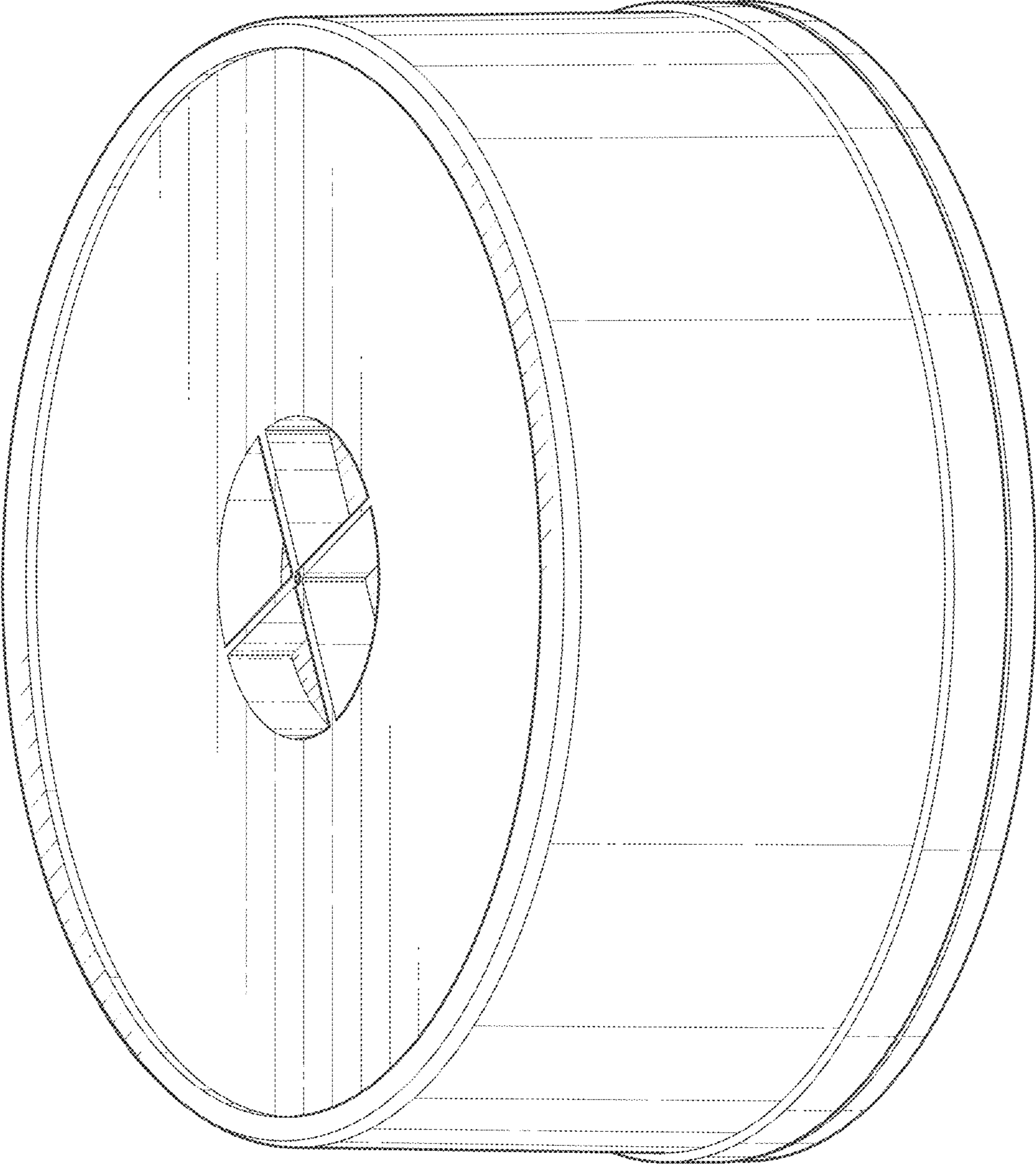


FIG. 8

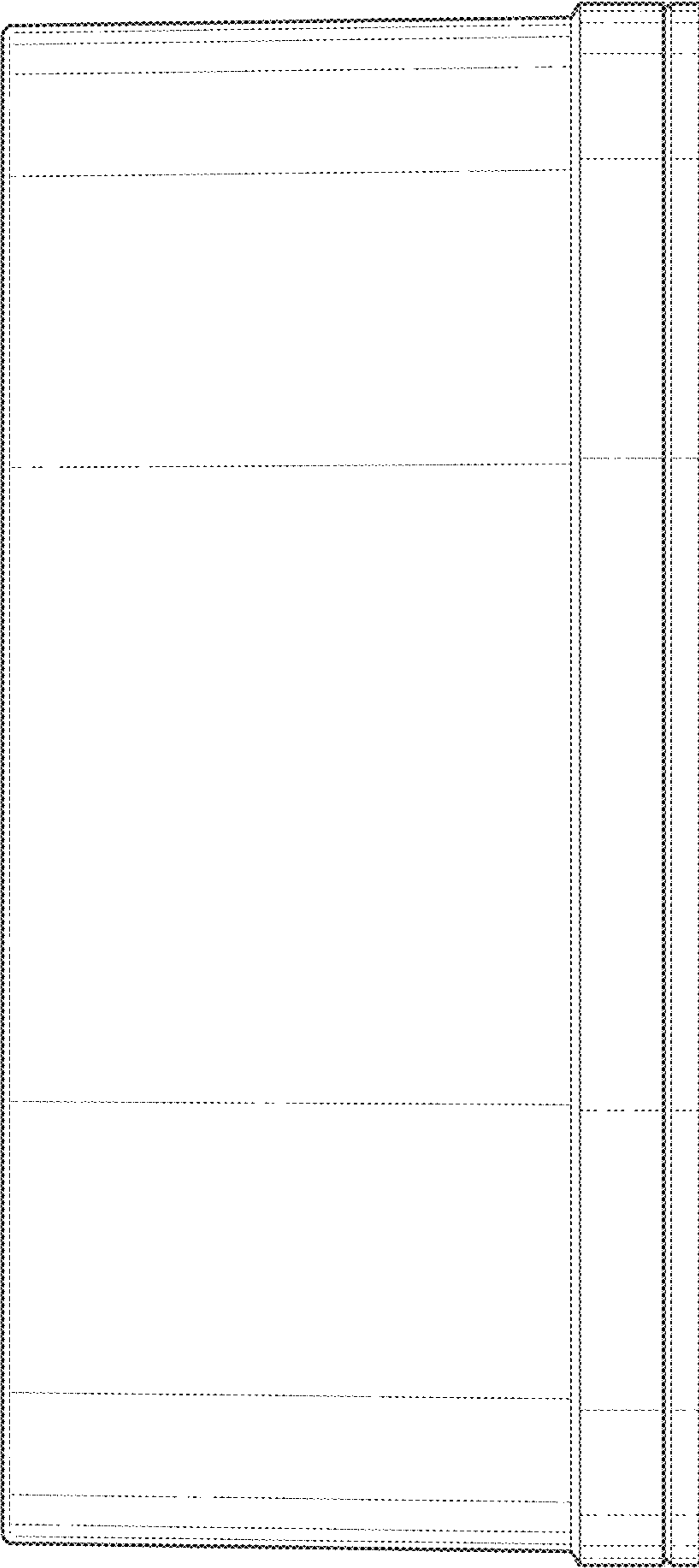


FIG. 9

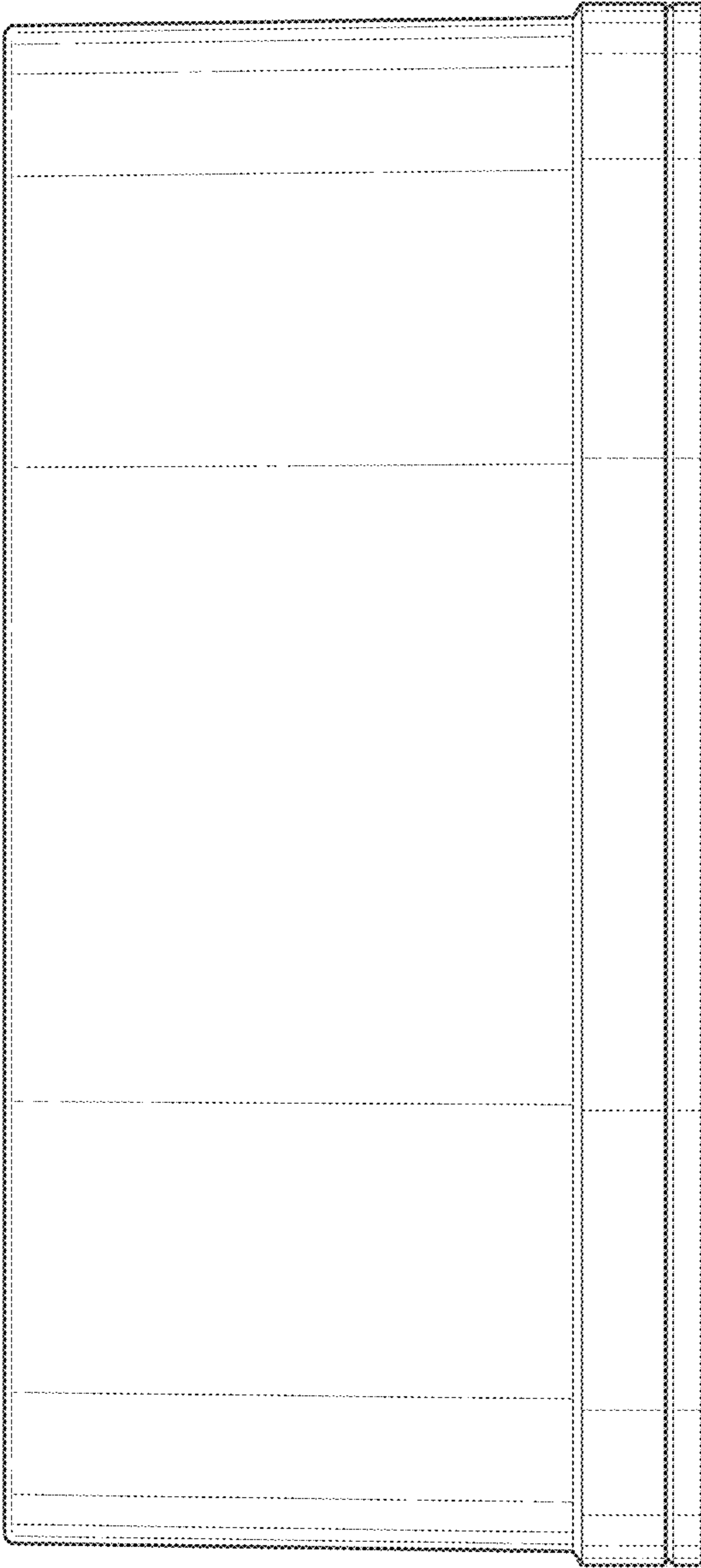


FIG. 10

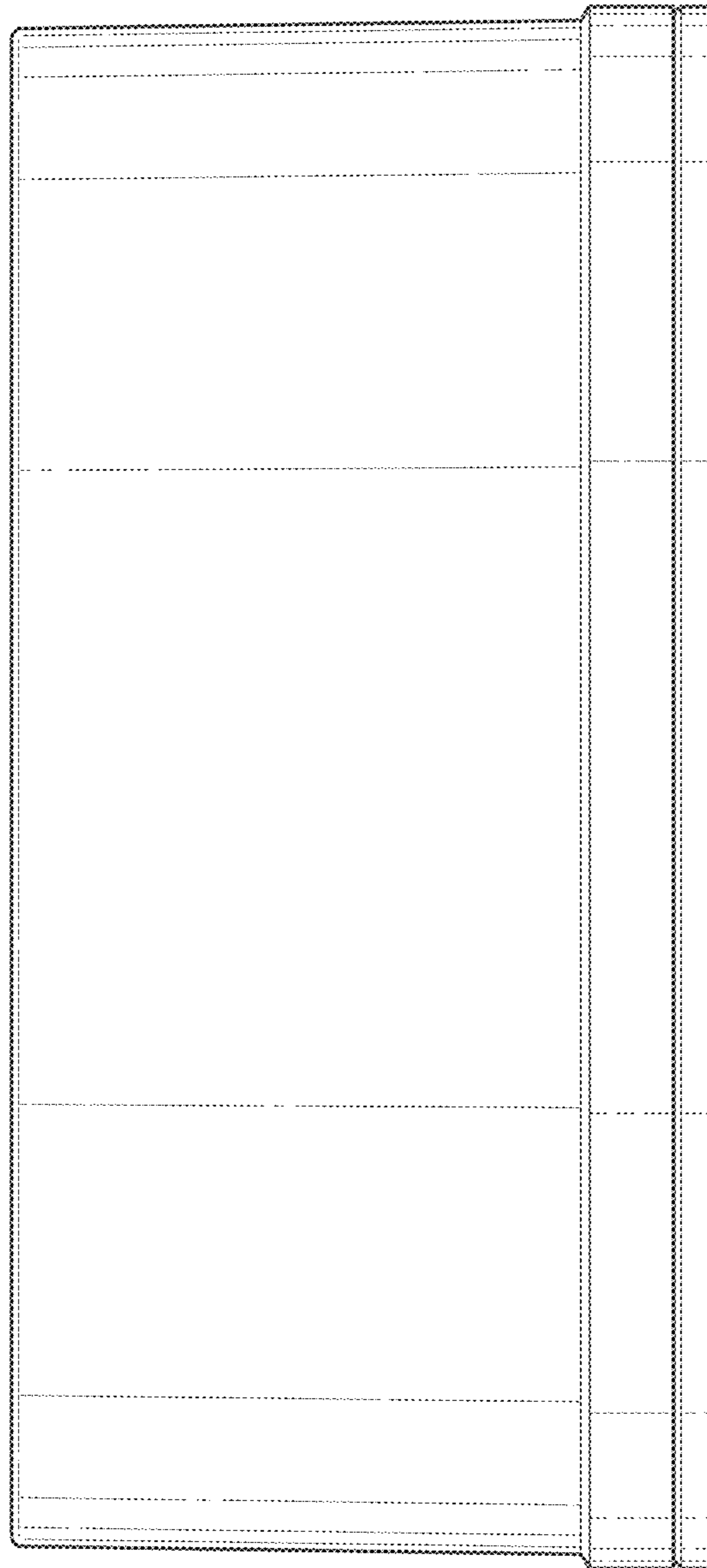


FIG. 11

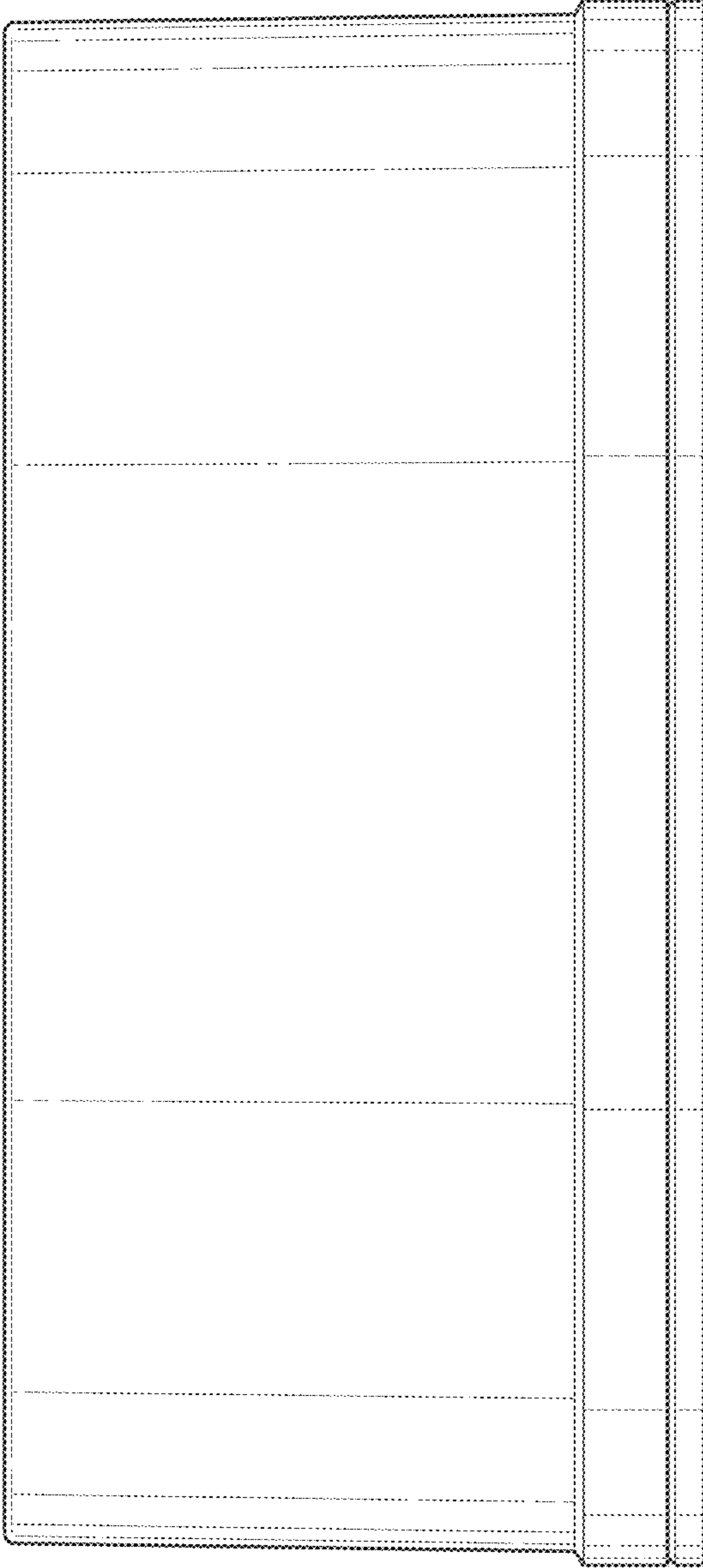


FIG. 12

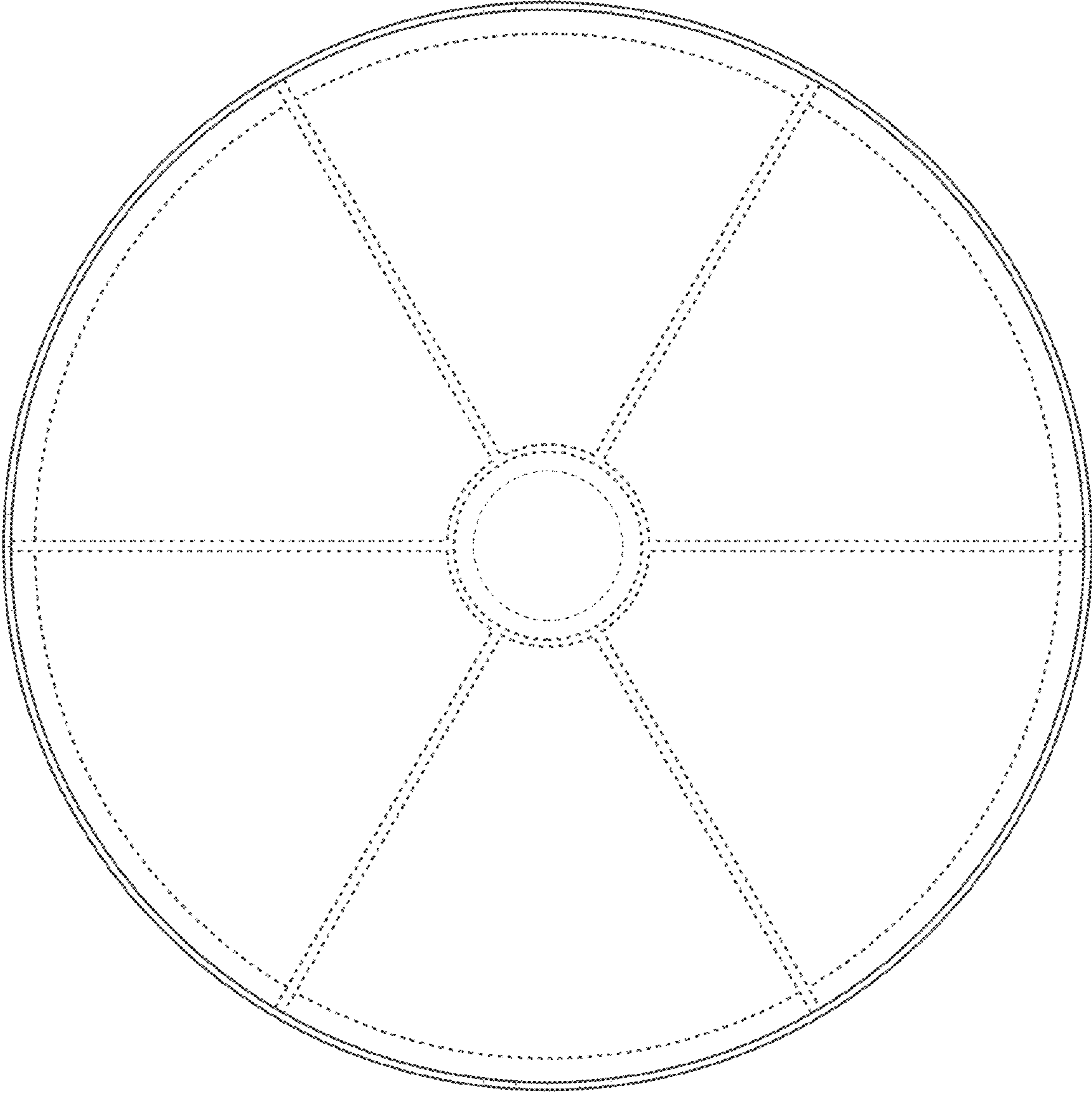


FIG. 13

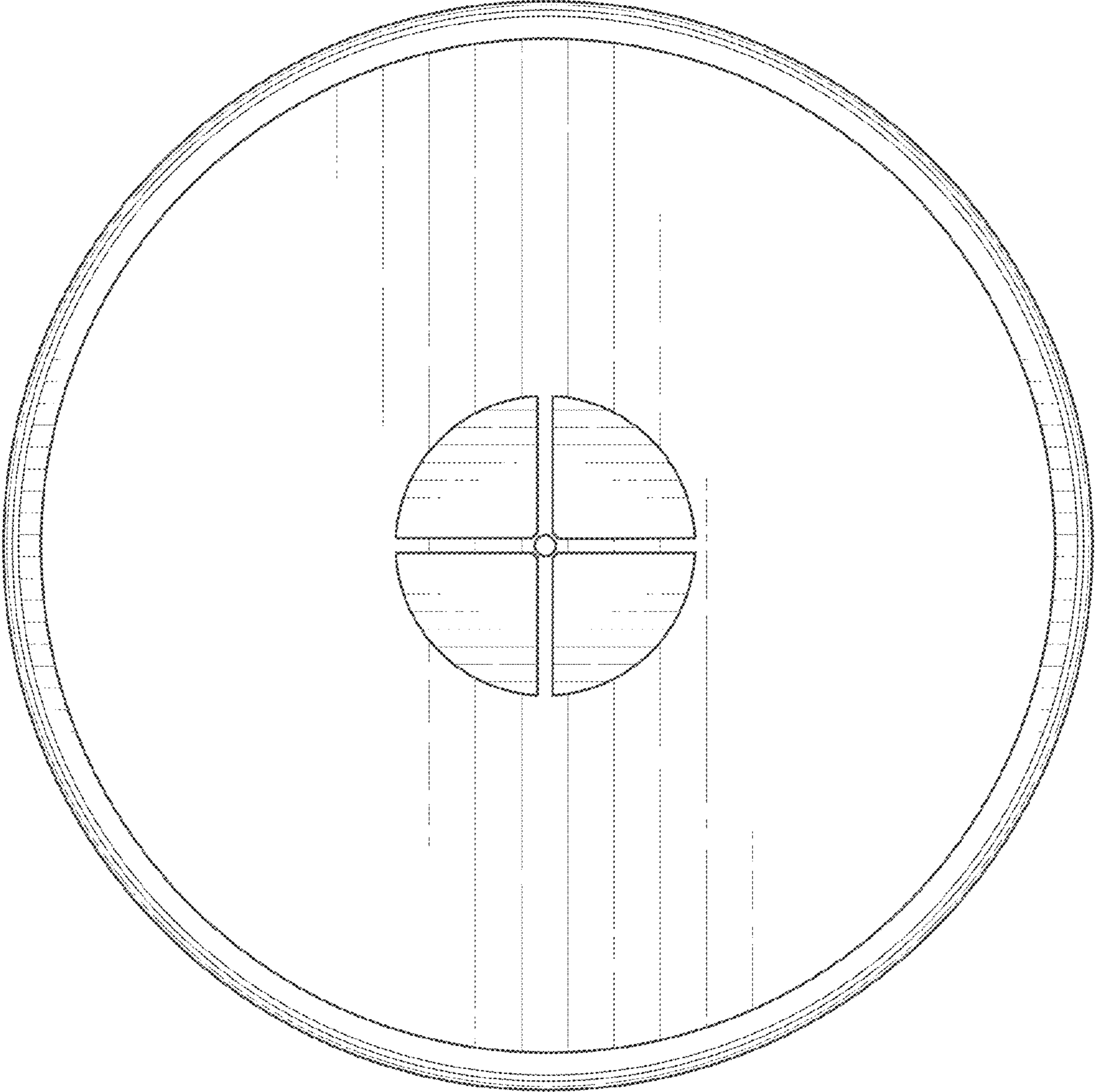


FIG. 14