



US00D953737S

(12) **United States Design Patent** (10) **Patent No.:** **US D953,737 S**  
**Zeller** (45) **Date of Patent:** **\*\* Jun. 7, 2022**

(54) **BAG WITH DECORATIVE KEYHOLE FEATURE**

(71) Applicant: **Delvaux Createur SA**, Brussels (BE)

(72) Inventor: **Christina Zeller**, Brussels (BE)

(73) Assignee: **DELVAUX CREATEUR SA**, Brussels (BE)

(\*\*) Term: **15 Years**

(21) Appl. No.: **29/713,161**

(22) Filed: **Nov. 14, 2019**

(30) **Foreign Application Priority Data**

May 15, 2019 (EM) ..... 006464285

(51) **LOC (13) Cl.** ..... **03-01**

(52) **U.S. Cl.**  
USPC ..... **D3/246**

(58) **Field of Classification Search**  
USPC ..... D3/203.1, 203.6, 202, 205, 215, 217,  
D3/226, 229, 230, 232, 233, 242-246,  
D3/249, 258, 273, 274, 276, 283-290,  
D3/294, 295, 299, 301, 303, 900-904;  
D7/602, 605, 607, 619.1, 709; D28/73,  
D28/76

CPC .. A45C 1/00; A45C 1/02; A45C 1/024; A45C  
1/08; A45C 3/00; A45C 3/04; A45C 3/06;  
A45C 3/10; A45C 3/004; A45C 5/00;  
A45C 5/02; A45C 5/04; A45C 5/005;  
A45C 7/077; A45C 7/00; A45C 9/00;  
A45C 11/00; A45C 11/16; A45C 11/20;  
A45C 11/26; A45C 11/008; A45C 13/00;  
A45C 13/08; A45C 13/26; A45C  
2003/002; A45C 2003/007; A45C  
2003/008; A45C 2007/004; A45C  
2011/007; A45C 2200/20; A45D 29/20;  
A45D 33/008; A45D 44/18;

(Continued)

(56) **References Cited**

U.S. PATENT DOCUMENTS

D387,628 S \* 12/1997 Keene ..... D3/246  
D398,082 S \* 9/1998 Martz ..... D3/273

(Continued)

FOREIGN PATENT DOCUMENTS

EM 006464285-0002 \* 5/2019  
KR 300755880.0000 \* 8/2014

OTHER PUBLICATIONS

Skeleton Key Handbag, first available May 5, 2017, deviantart.com [online], [site visited Jan. 7, 2021], Available from internet URL: <https://www.deviantart.com/jullbags/art/Skeleton-key-handbag-678827811> (Year: 2017).\*

(Continued)

*Primary Examiner* — Jeffrey D Asch  
*Assistant Examiner* — Caitlin A Lavery

(74) *Attorney, Agent, or Firm* — Porzio Bromberg & Newman P.C.

(57) **CLAIM**

The ornamental design for a bag with decorative keyhole feature, as shown and described.

**DESCRIPTION**

FIG. 1 is a perspective view of a bag with decorative keyhole feature.

FIG. 2 is a left side view of FIG. 1.

FIG. 3 is a right side view of FIG. 1.

FIG. 4 is a front view of FIG. 1.

FIG. 5 is a back view of FIG. 1.

FIG. 6 is a bottom view of FIG. 1; and,

FIG. 7 is a top view of FIG. 1.

A bag with decorative keyhole feature is depicted. Dashed lines are used to indicate stitching, which is included in the claim.

**1 Claim, 5 Drawing Sheets**



(58) **Field of Classification Search**

CPC ..... A45D 2200/25; A45F 3/00; A45F 3/02;  
A45F 3/04; A45F 3/16; A45F 4/02; B65D  
23/08; B56D 81/38; B56D 81/3836;  
B56D 81/2023

See application file for complete search history.

D923,332 S \* 6/2021 Deloumeaux ..... D3/246  
D938,729 S \* 12/2021 Cardenas ..... D3/321  
D940,460 S \* 1/2022 Payton ..... D3/318

OTHER PUBLICATIONS

(56) **References Cited**

U.S. PATENT DOCUMENTS

D461,954 S \* 8/2002 Guyon ..... D3/246  
D505,012 S \* 5/2005 Godshaw ..... D3/287  
D608,544 S \* 1/2010 Kwei ..... D3/245  
D672,951 S \* 12/2012 Boone ..... D3/245  
D719,349 S \* 12/2014 Fusi ..... D3/245  
D730,046 S \* 5/2015 Koutsolioutsos ..... D3/245  
D756,115 S \* 5/2016 Slimane ..... D3/245  
D756,634 S \* 5/2016 Bonstrom ..... D3/243  
D814,790 S \* 4/2018 Yuson ..... D3/246  
D819,956 S \* 6/2018 Woodard ..... D3/203.6  
D883,753 S \* 5/2020 Zheng ..... D7/607  
D893,182 S \* 8/2020 Smith, IV ..... D3/276

Black Leather Steampunk Messenger with Antique Skeleton Key, first available Apr. 3, 2011, etsy.com [online], [site visited Jan. 7, 2021], Available from internet URL: <https://www.etsy.com/listing/47214954/black-leather-steampunk-messenger-with> (Year: 2011).\*

Delvaux Createur SA, public exhibition, Mar. 2, 2019, 1 pg.

Fenner, Justin, "With an Assist from Magritte, the World's Oldest Leather Goods Brand Expands Its Offering for Men," Robb Report, May 14, 2019. 2 pgs.

Images of Handbags available publicly as of Mar. 22, 2019. 5 pgs.

Listing of Products available for sale on amazon.com prior to May 15, 2019. 1 pg.

Magritte, René, "Le Sourire du Diable," paintings created 1966, 1 pg.

\* cited by examiner



FIG. 1



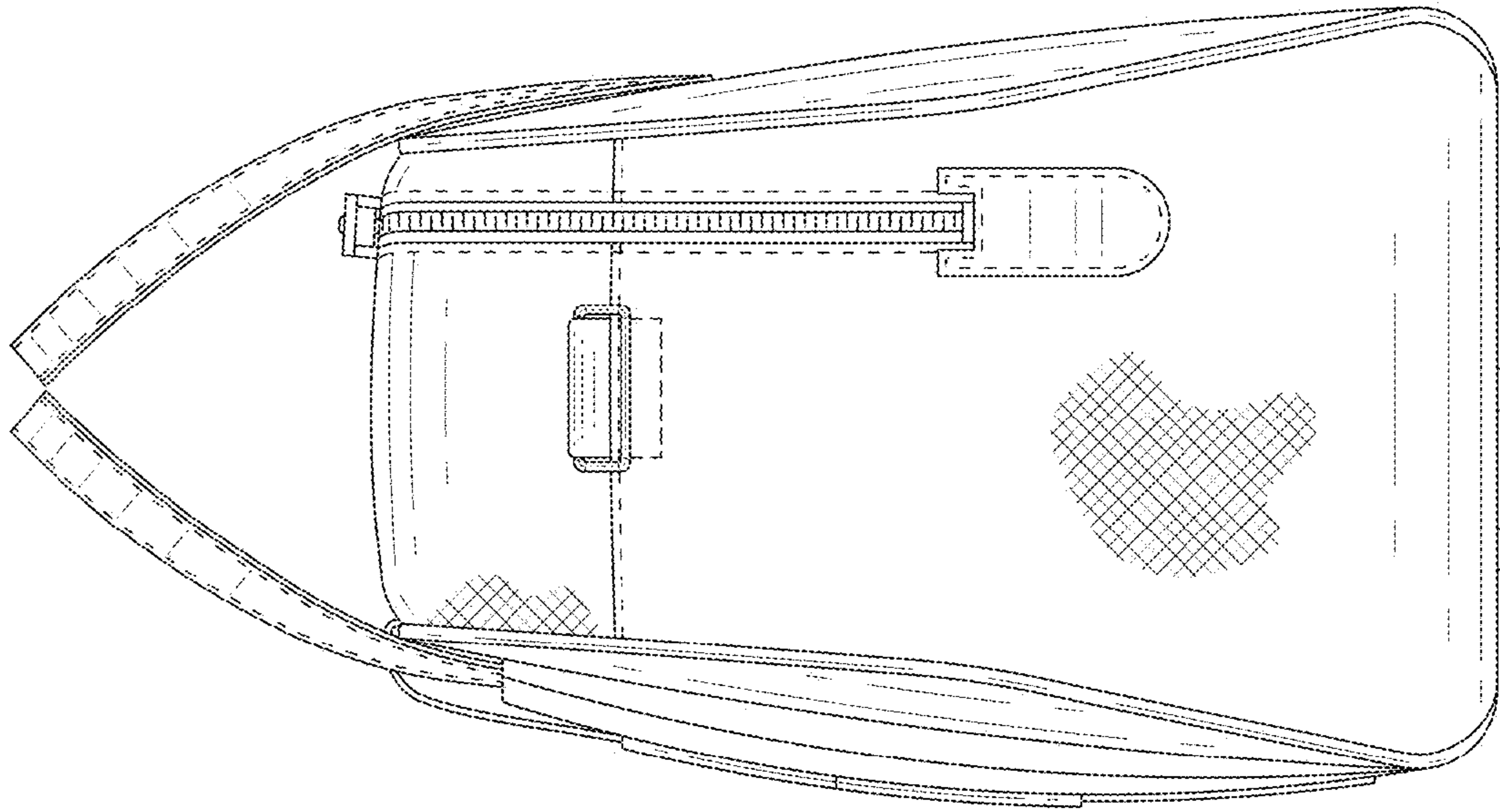


FIG. 3

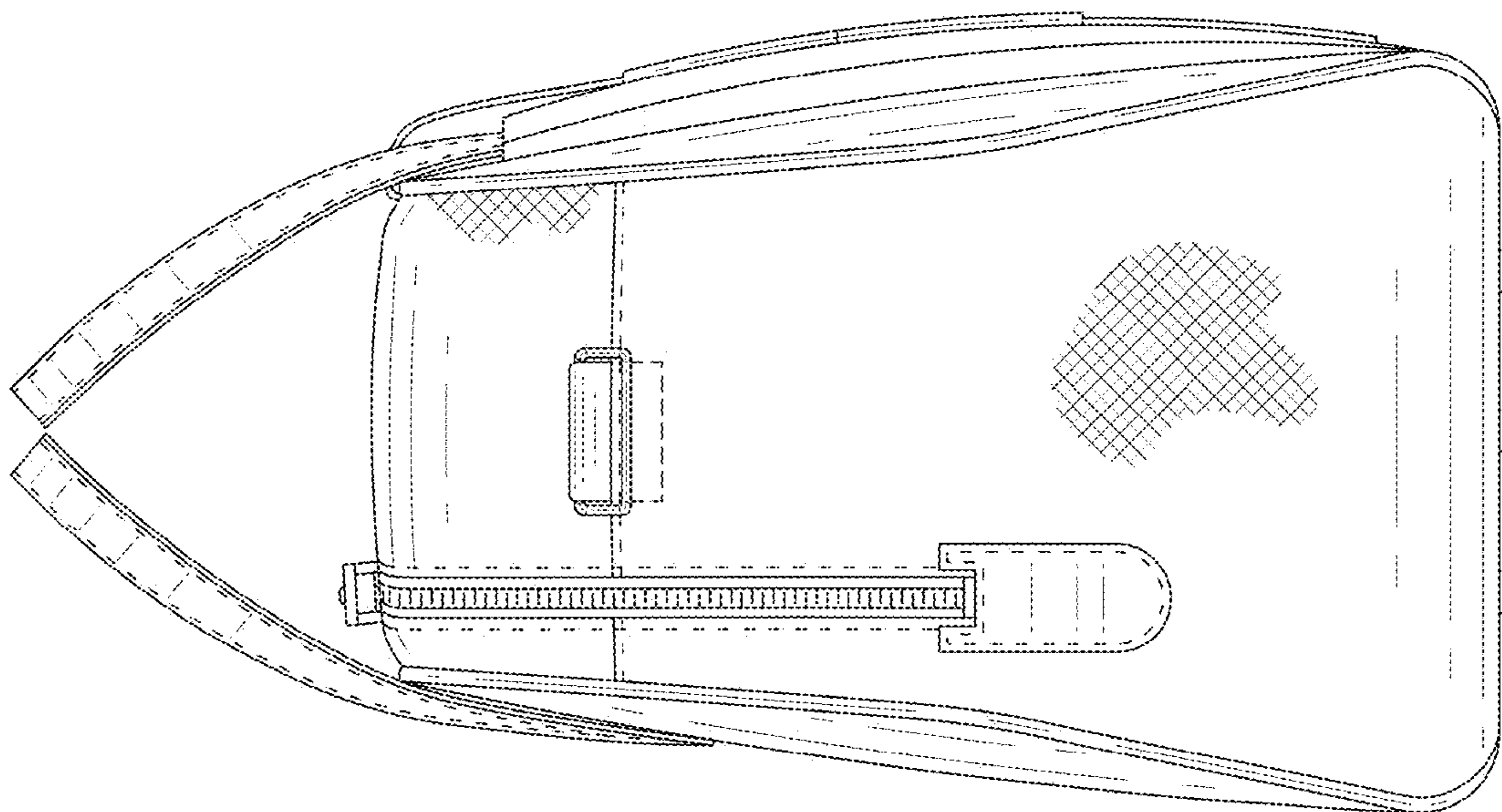


FIG. 2



FIG. 4



FIG. 5



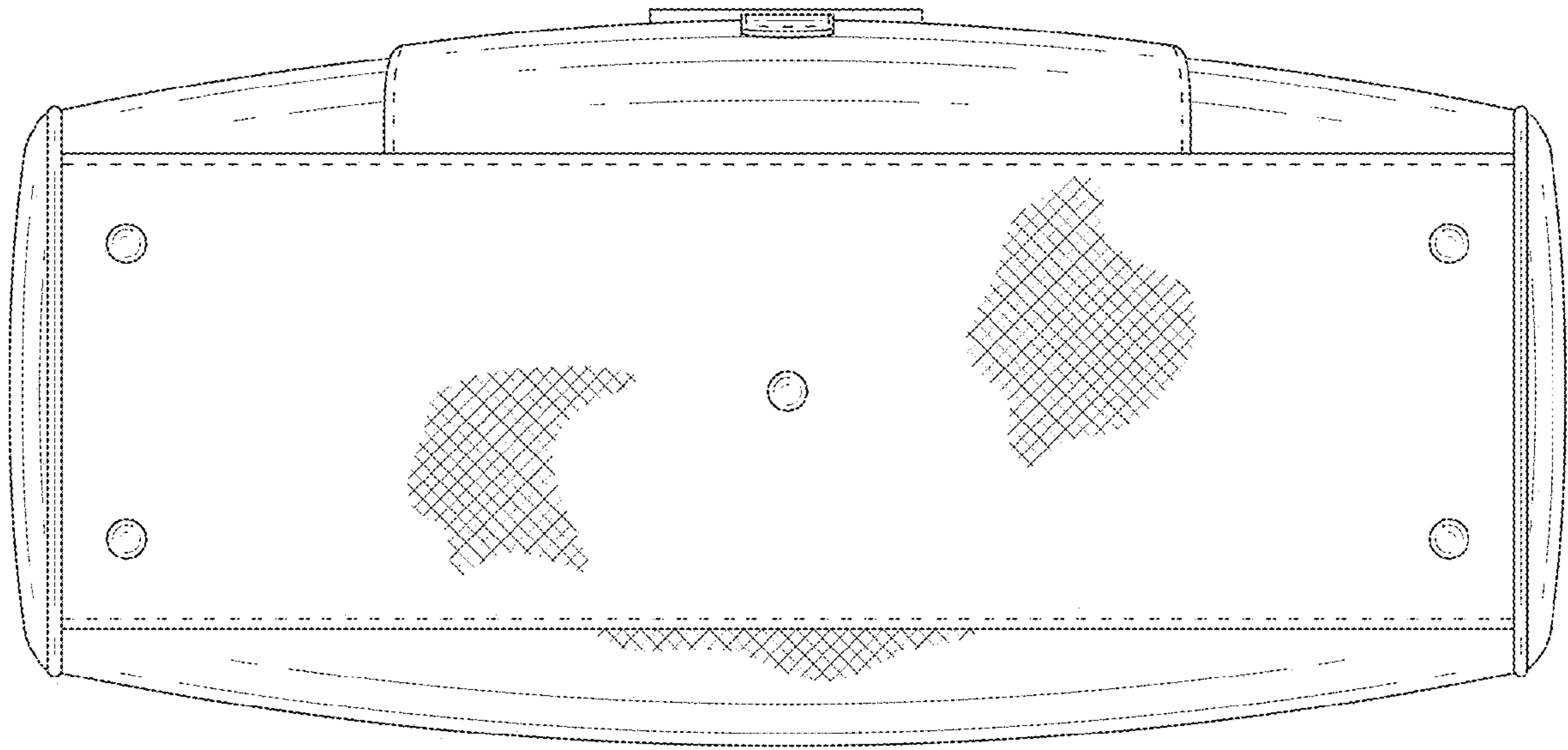


FIG. 6

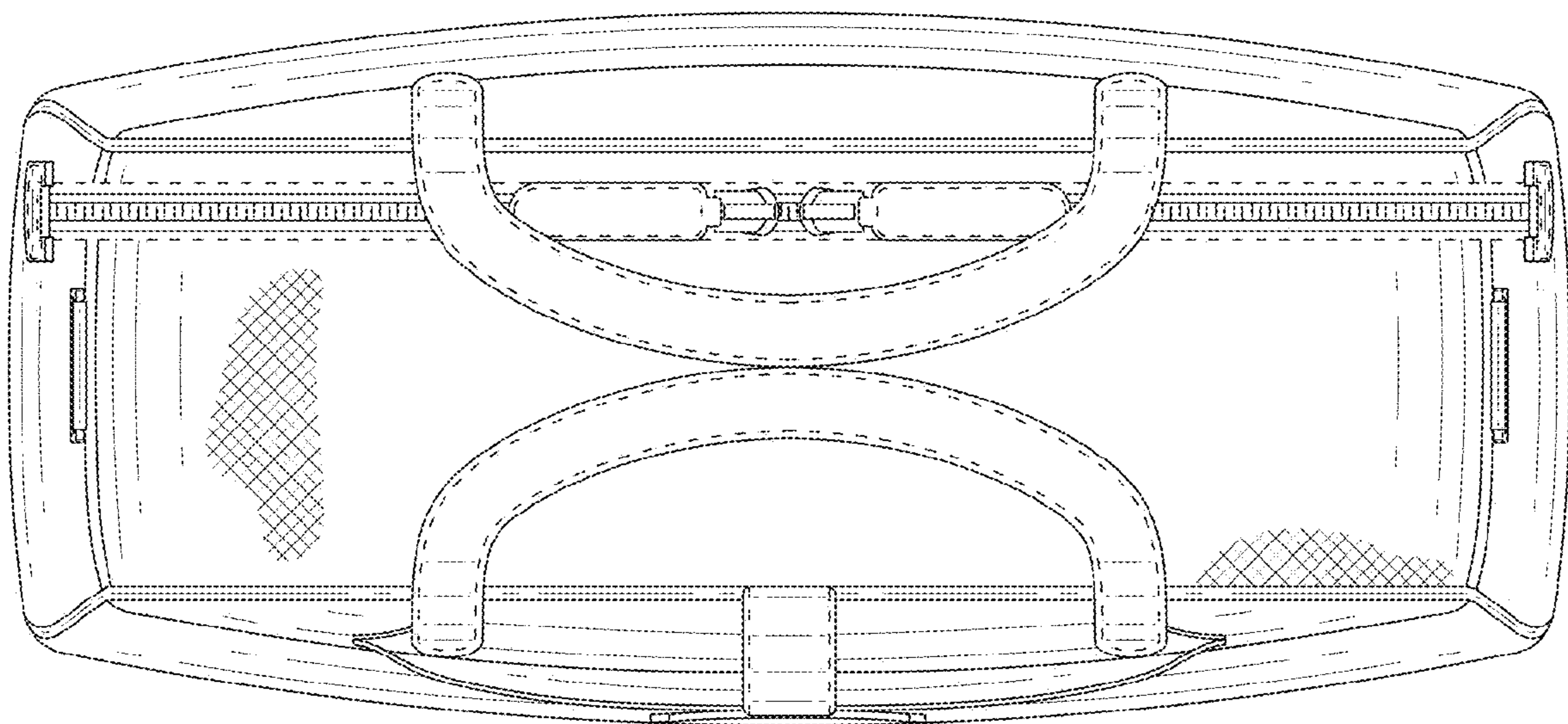


FIG. 7