



US00D953736S

(12) **United States Design Patent**
Mckinney et al.

(10) **Patent No.:** **US D953,736 S**
(45) **Date of Patent:** **** Jun. 7, 2022**

(54) **DOUBLE BACKPACK**

(71) Applicants: **Deimon Mckinney**, St. Louis, MO
(US); **Raheem Larry**, St. Louis, MO
(US)

(72) Inventors: **Deimon Mckinney**, St. Louis, MO
(US); **Raheem Larry**, St. Louis, MO
(US)

(**) Term: **15 Years**

(21) Appl. No.: **29/704,417**

(22) Filed: **Sep. 4, 2019**

(51) **LOC (13) Cl.** **03-01**

(52) **U.S. Cl.**
USPC **D3/217**

(58) **Field of Classification Search**
USPC D3/216, 217, 260
CPC A45F 3/04; A45F 2003/003; A45F 4/02;
A45F 5/021; Y10S 224/92; Y10S 16/40;
Y10S 224/922; Y10S 383/907; A01K
97/06; A45C 11/20; A45C 5/06; A45C
11/02; A45C 13/02; A45C 13/08; A45C
3/00; A45C 7/0063

See application file for complete search history.

(56) **References Cited**

U.S. PATENT DOCUMENTS

D302,073 S * 7/1989 Biggs D3/230
D312,726 S * 12/1990 Kline 224/624
D352,165 S * 11/1994 Covertson 2/102

D418,673 S * 1/2000 Madsen D2/830
D420,792 S * 2/2000 Sakelliou D3/216
D605,849 S * 12/2009 Mori D3/217
D638,623 S * 5/2011 Chen D3/204
2009/0095784 A1* 4/2009 Enriquez A45F 3/00
224/650

* cited by examiner

Primary Examiner — Jennifer L Watkins

(74) *Attorney, Agent, or Firm* — Nwamu, PC

(57) **CLAIM**

The ornamental design for a double backpack, as shown and described.

DESCRIPTION

FIG. 1 is a front perspective view of our new design for a double backpack;
FIG. 2 is a front plan view of our new design for a double backpack;
FIG. 3 is a left side plan view of our new design for a double backpack;
FIG. 4 is a back plan view of our new design for a double backpack;
FIG. 5 is a right side plan view of our new design for a double backpack;
FIG. 6 is a top plan view of our new design for a double backpack; and,
FIG. 7 is a bottom plan view of our new design for a double backpack.

The evenly dashed lines in the drawings depict stitching and form no part of the claim.

1 Claim, 7 Drawing Sheets

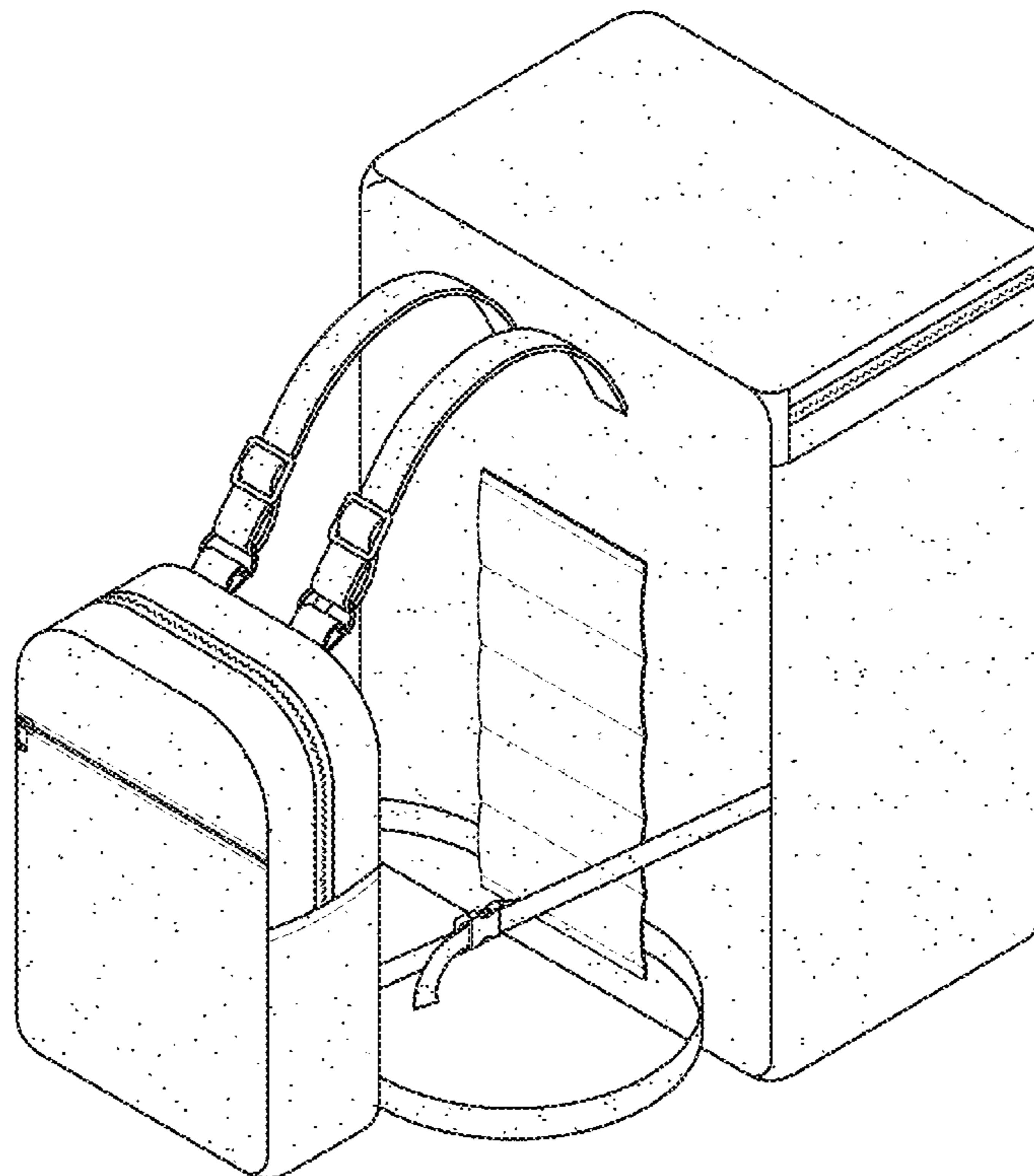


FIG. 1

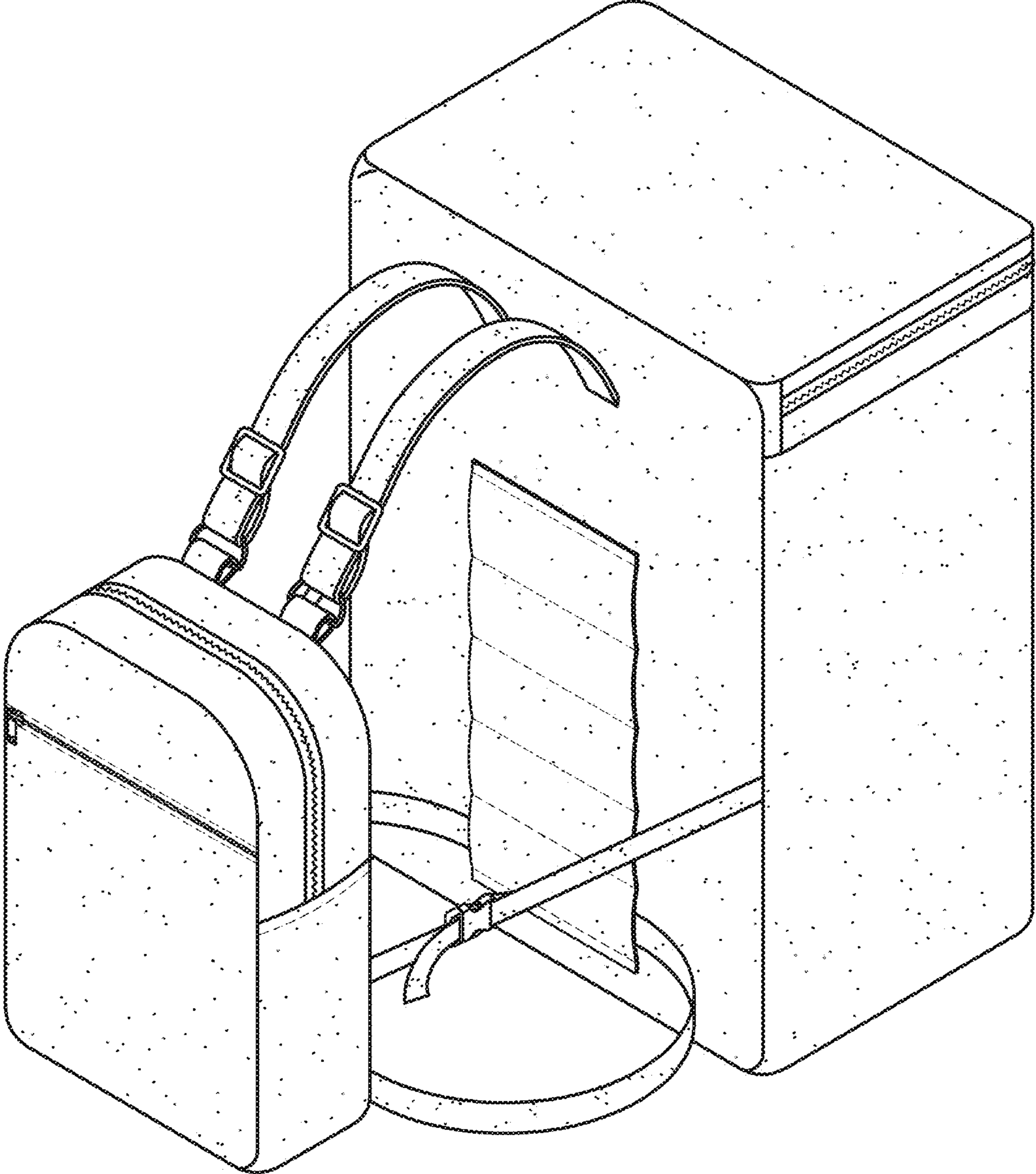


FIG. 2

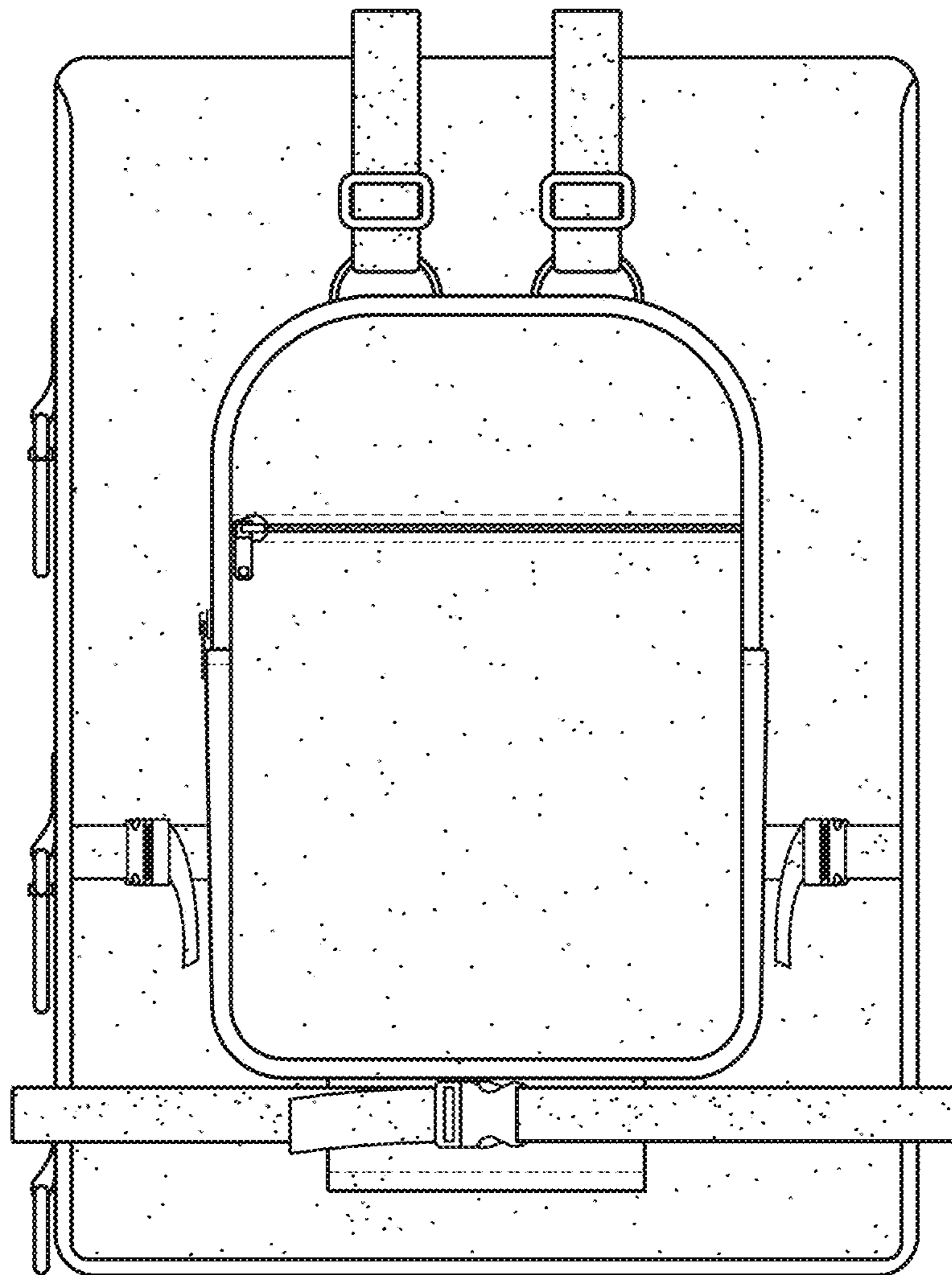


FIG. 3

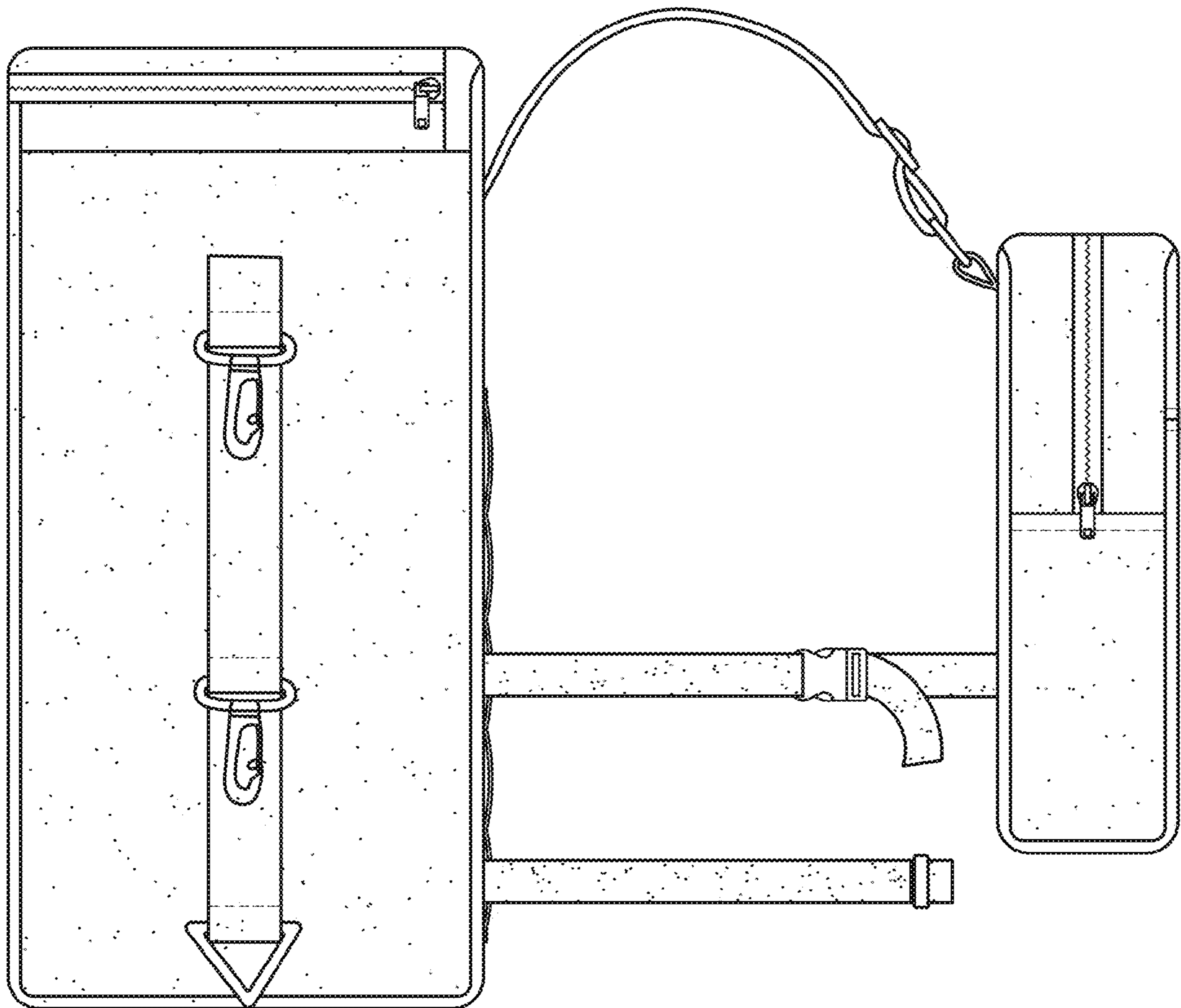


FIG. 4

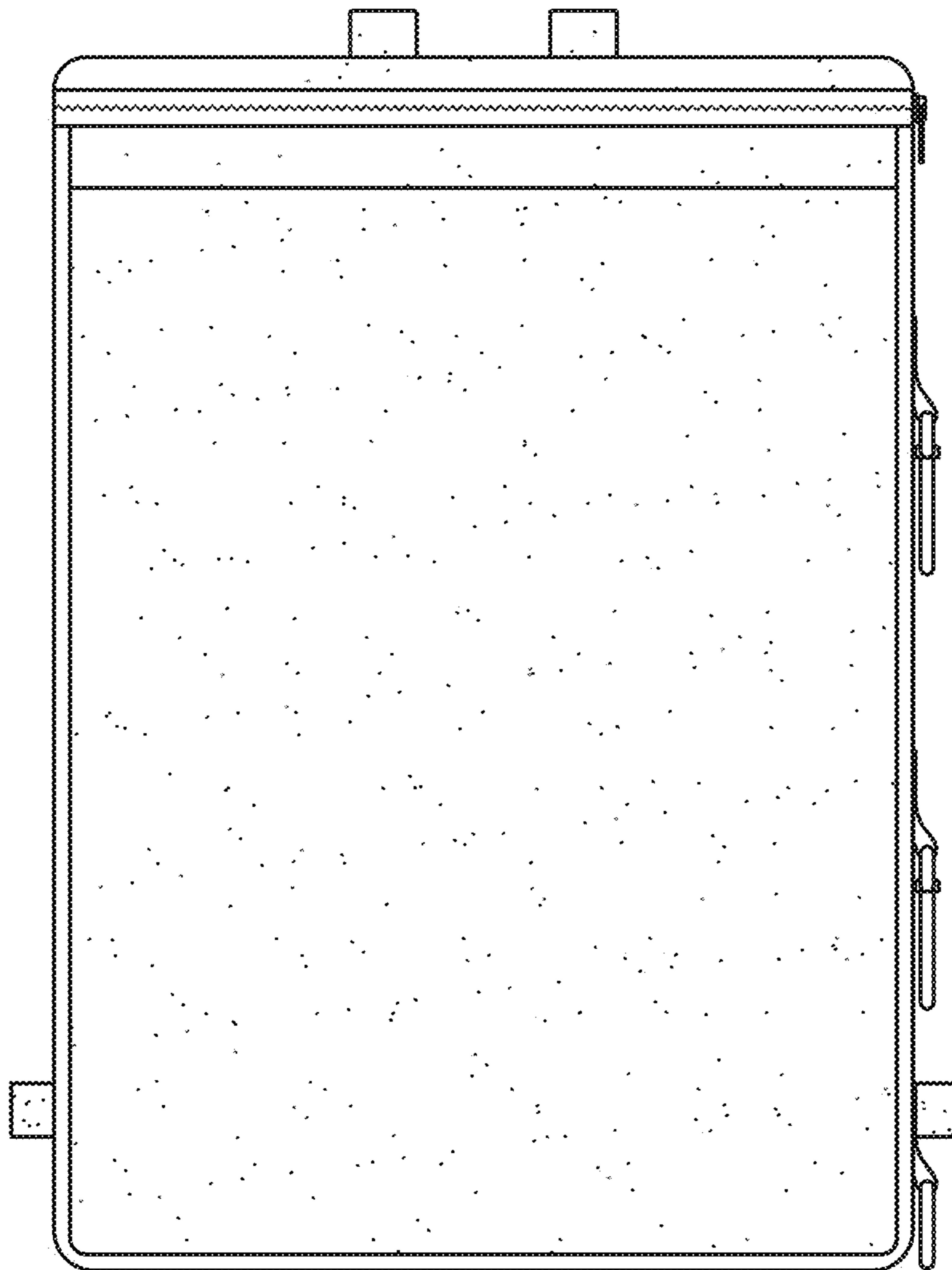


FIG. 5

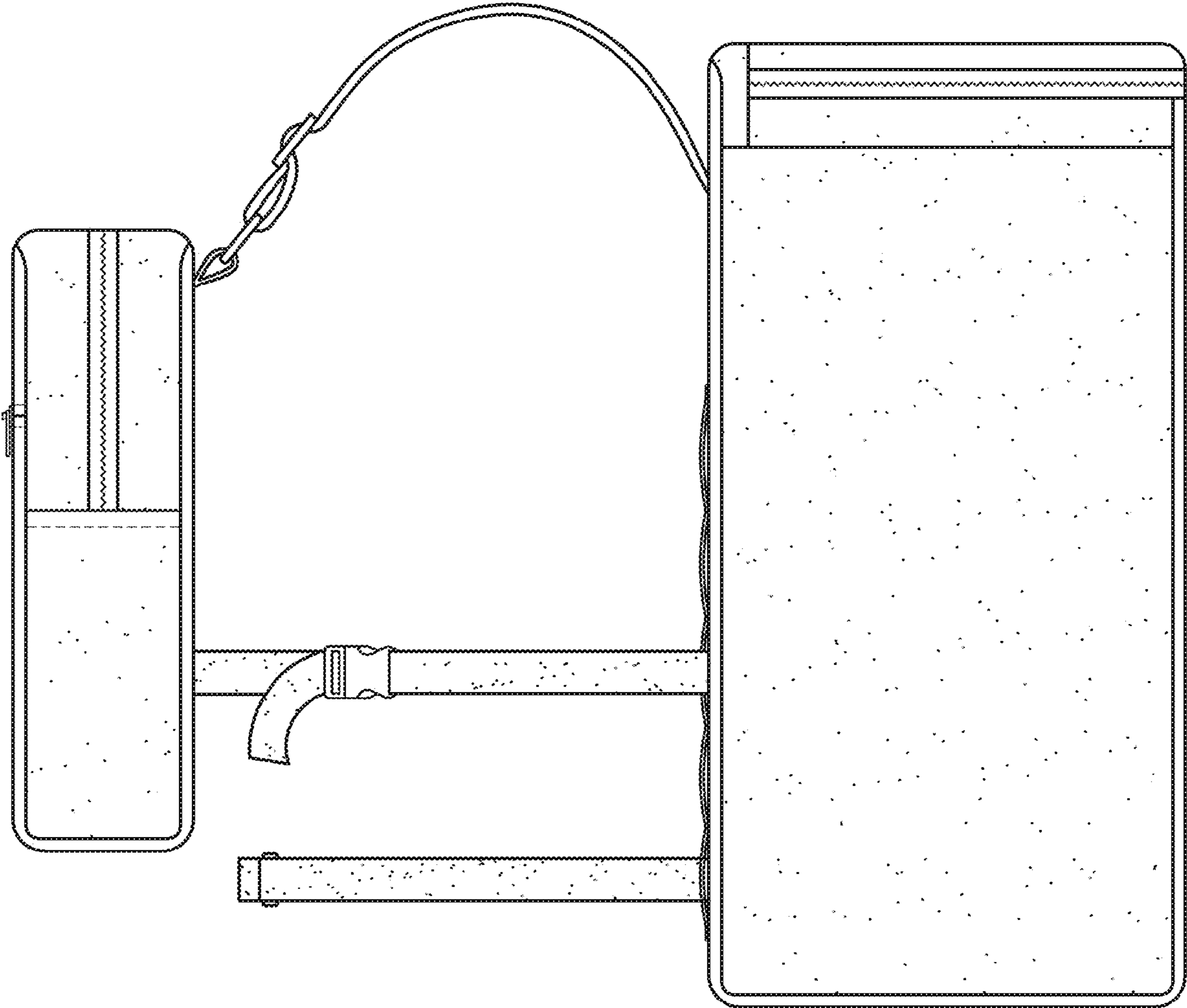


FIG. 6

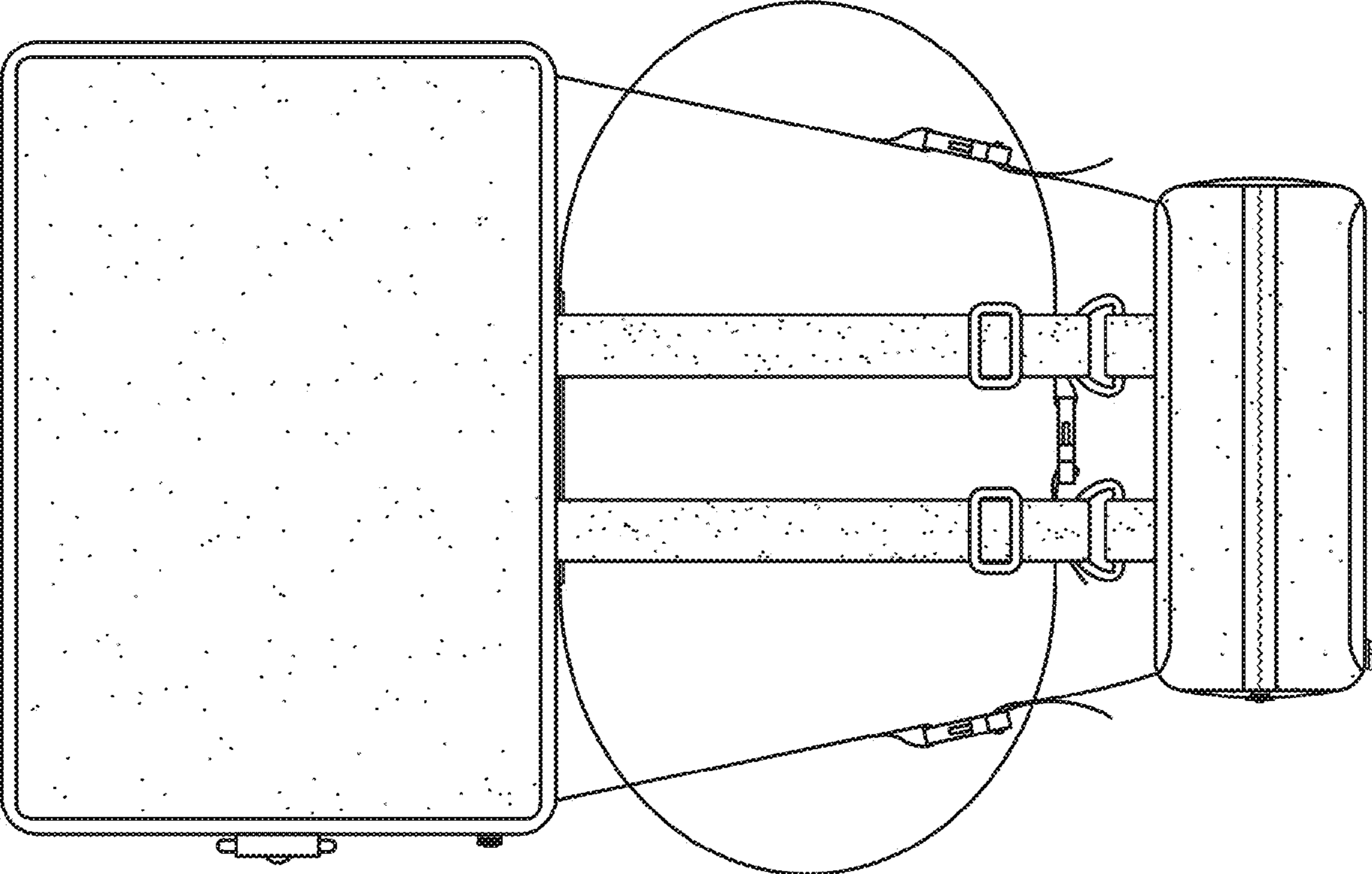


FIG. 7

