



US00D953731S

(12) **United States Design Patent** (10) **Patent No.:** **US D953,731 S**
Lee (45) **Date of Patent:** **** Jun. 7, 2022**

(54) **PILL ORGANIZER**

FOREIGN PATENT DOCUMENTS

(71) Applicant: **E-LINK PLASTIC & METAL INDUSTRIAL CO., LTD.**, New Taipei (TW)

CN 306212852 * 12/2020

(72) Inventor: **Cheng-Hua Lee**, New Taipei (TW)

OTHER PUBLICATIONS

(73) Assignee: **E-LINK PLASTIC & METAL INDUSTRIAL CO., LTD.**, New Taipei (TW)

Pill Organizer 3 Times a Day Fullicon Extra Large Weekly Pill Case . . . , first available Mar. 14, 2018, amazon.com [online], [site visited Aug. 24, 2021], Available at internet URL: <https://www.amazon.com/dp/B08L764G4S> (Year: 2018).*

(Continued)

(**) Term: **15 Years**

Primary Examiner — Michelle E. Wilson

(21) Appl. No.: **29/730,312**

Assistant Examiner — Caitlin A Laverty

(22) Filed: **Apr. 2, 2020**

(74) *Attorney, Agent, or Firm* — Pai Patent & Trademark Law Firm; Chao-Chang David Pai

(51) **LOC (13) Cl.** **03-01**

(52) **U.S. Cl.**
USPC **D3/203.2**

(57) **CLAIM**

(58) **Field of Classification Search**
USPC D3/201, 203.1–203.8, 206, 273–274, D3/294–298, 304, 313–314, 901, 903; D7/589; D9/730, 732, 737, 756, D9/759–760; D21/369, 372–373, D21/392–397; D28/73

The ornamental design for a pill organizer, as shown and described.

CPC A61J 1/00; A61J 1/03; A61J 7/00; A61J 7/02; A61J 7/04; A61J 7/0481; A61J 7/0084; B65D 1/04; B65D 1/00; B65D 1/36; B65D 83/04; B65D 83/0445; B65D 83/0481; B65D 43/16; B65D 43/161; B65D 43/162; B65D 2583/04; A63F 9/04; A63F 11/00; A63F 2003/00772–00791; A63F 2003/00943; F21V 33/00

DESCRIPTION

See application file for complete search history.

FIG. 1 is a perspective view of a pill organizer, showing my new design;
FIG. 2 is a front view thereof;
FIG. 3 is a rear view thereof;
FIG. 4 is a left side view thereof;
FIG. 5 is a right side view thereof;
FIG. 6 is a top view thereof;
FIG. 7 is a bottom view thereof;
FIG. 8 is a perspective view thereof showing the pill organizer when opened; and,
FIG. 9 is a perspective view thereof showing the pill organizer when opened and accommodating a plurality of boxes for pills.
In the drawings, the broken lines are shown for illustrative purposes only and form no part of the claimed design.

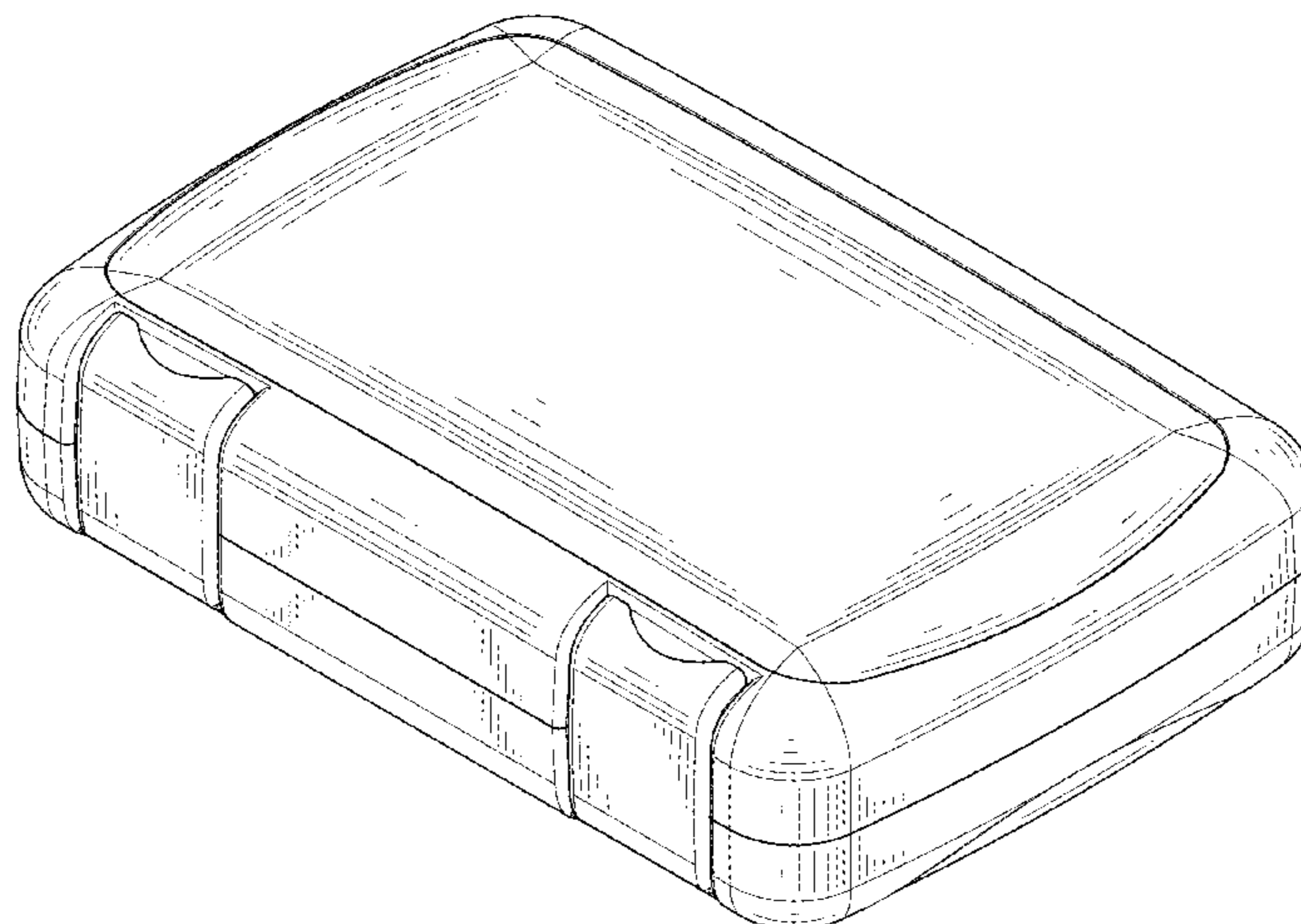
(56) **References Cited**

U.S. PATENT DOCUMENTS

D324,819 S * 3/1992 Eisenberg D24/229
D367,211 S * 2/1996 Cautereels D3/294
D423,772 S * 5/2000 Cooper D3/201
D516,801 S * 3/2006 Jones, III D3/203.2
D527,182 S * 8/2006 Ham D3/274

(Continued)

1 Claim, 9 Drawing Sheets



(56)

References Cited

U.S. PATENT DOCUMENTS

D592,398 S * 5/2009 Roesler D3/294
 D592,399 S * 5/2009 Sage D3/295
 D633,712 S * 3/2011 Everette D3/203.1
 D634,538 S * 3/2011 Dumas D3/203.5
 D666,811 S * 9/2012 Yang D3/247
 D672,952 S * 12/2012 Yang D3/247
 D675,434 S * 2/2013 Vernall D3/294
 D795,874 S * 8/2017 Szeremeta D14/432
 D805,774 S * 12/2017 Sun D3/294
 D823,593 S * 7/2018 Giannopoulos D3/203.1
 D846,264 S * 4/2019 Wu D3/201
 D876,821 S * 3/2020 Lee D3/203.3
 D882,262 S * 4/2020 Zhang D3/294
 D896,501 S * 9/2020 Guo D3/203.3
 D899,200 S * 10/2020 Xu D7/629
 D911,020 S * 2/2021 Lee D3/203.2
 10,925,810 B2 * 2/2021 French A61J 7/0481

D935,167 S * 11/2021 Chen D3/203.3
 D938,162 S * 12/2021 Chui D3/206
 D942,943 S * 2/2022 Huang D3/294
 2004/0020814 A1 * 2/2004 Mousset A61B 50/31
 206/438
 2015/0283036 A1 * 10/2015 Aggarwal A61J 7/0069
 206/534
 2016/0101909 A1 * 4/2016 Schennum B65D 43/16
 206/266
 2020/0317392 A1 * 10/2020 Stahl B65D 25/04

OTHER PUBLICATIONS

Pill Organizer 3 Times a Day FGcase Large Weekly Pill Case . . . , first available Oct. 6, 2020, amazon.com [online], [site visited Aug. 24, 2021], Available at internet URL: <https://www.amazon.com/dp/B08KRQY22L> (Year: 2020).*

* cited by examiner

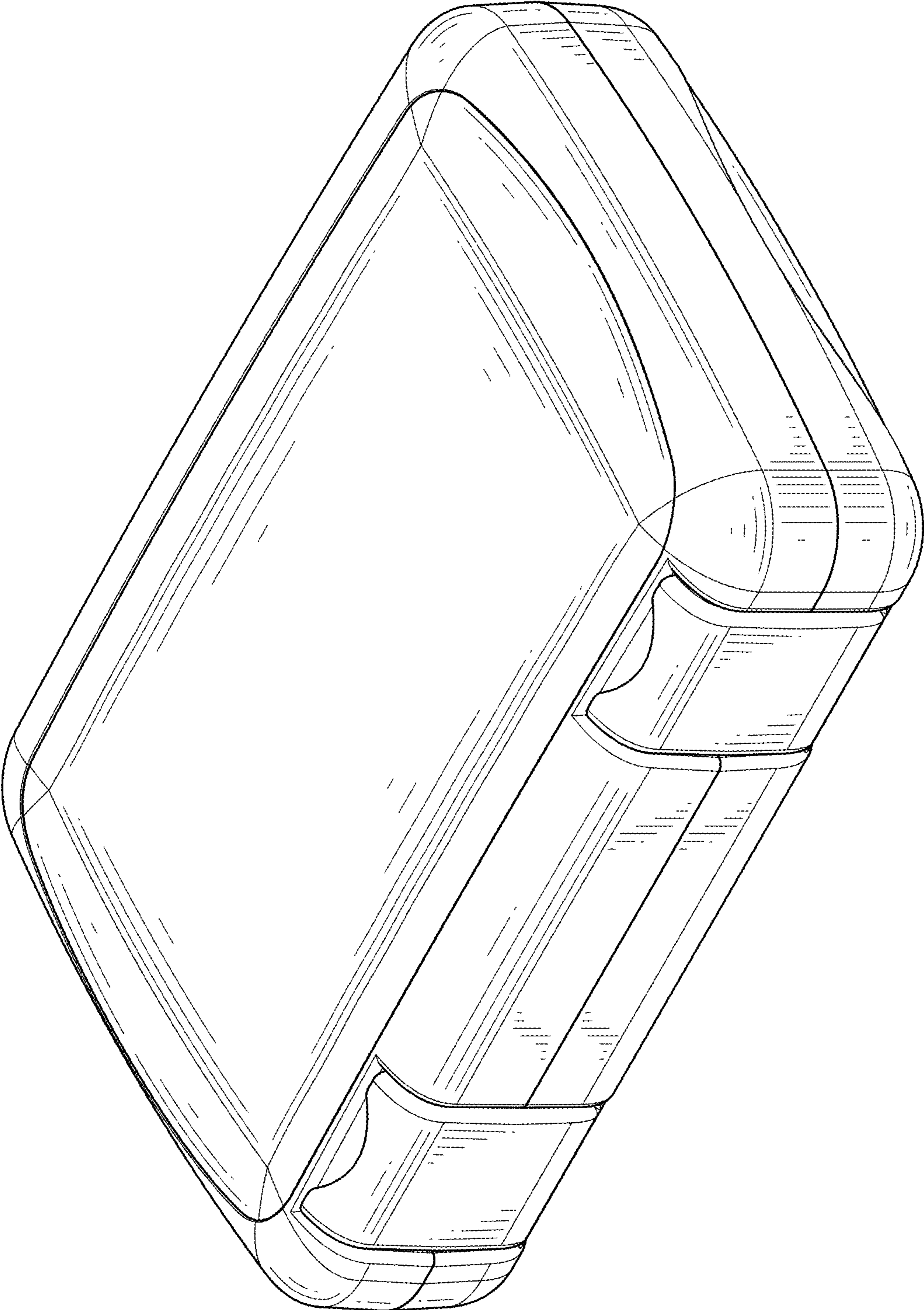


FIG.1

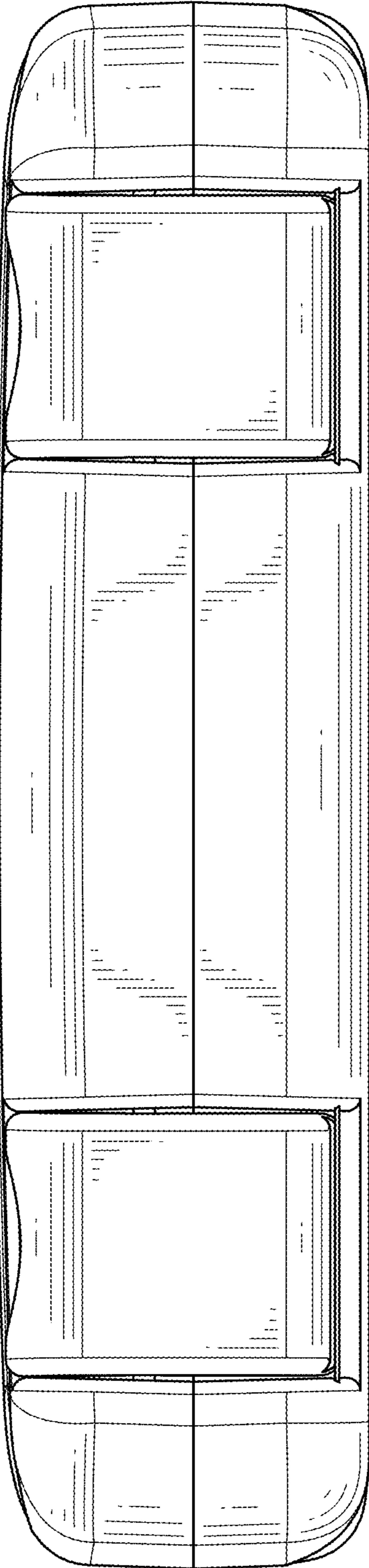


FIG.2

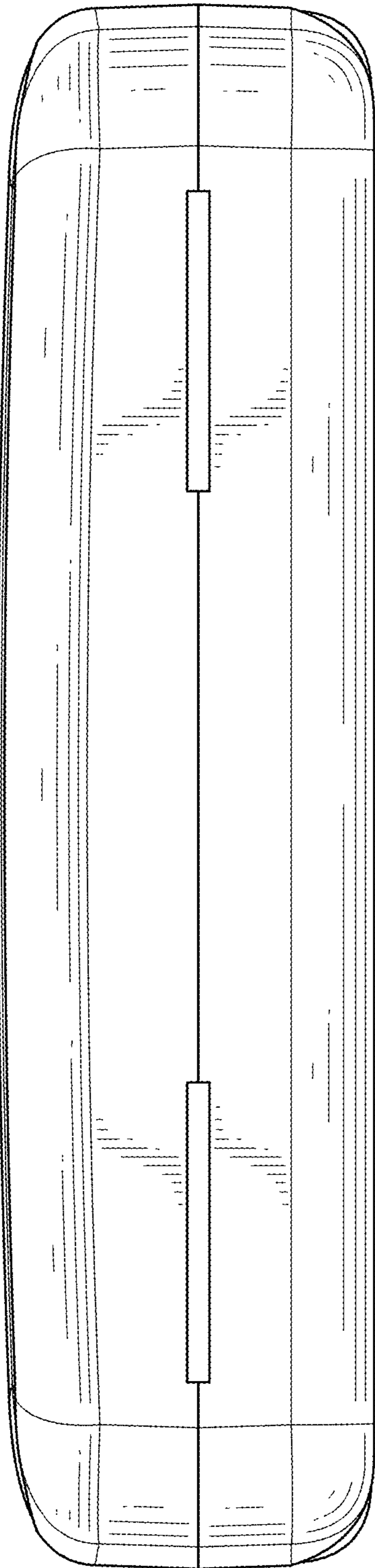


FIG.3

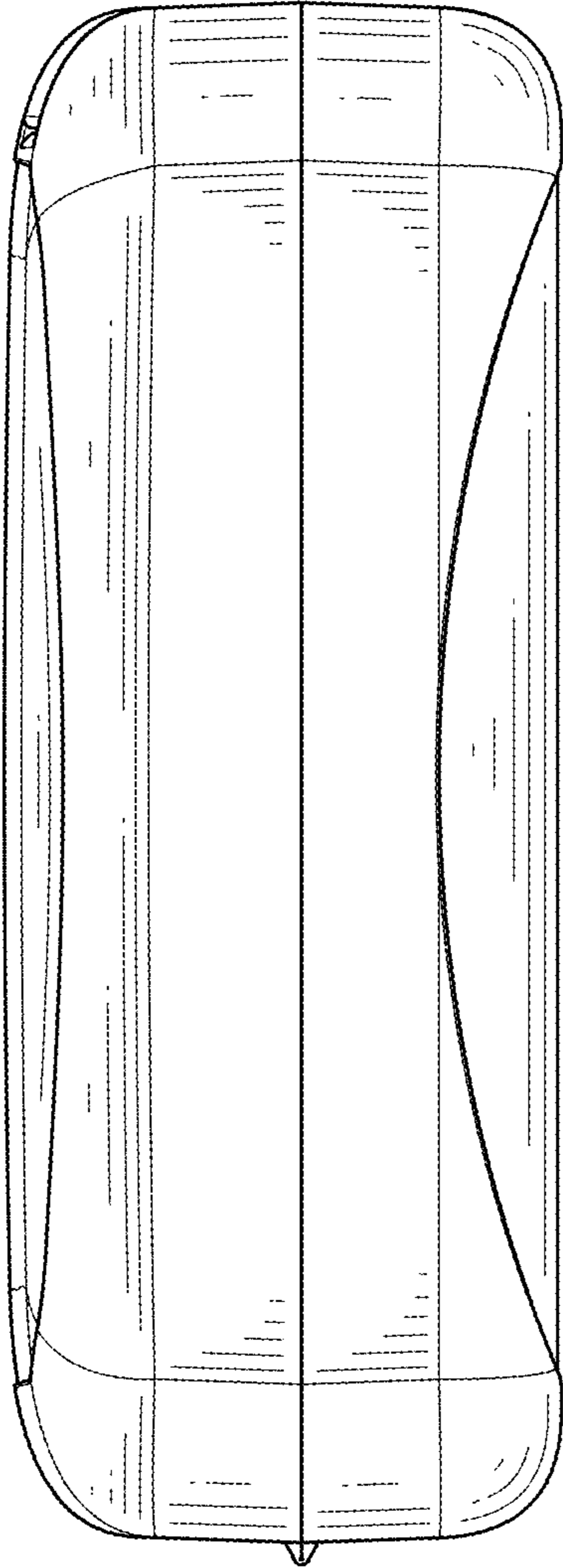


FIG.4

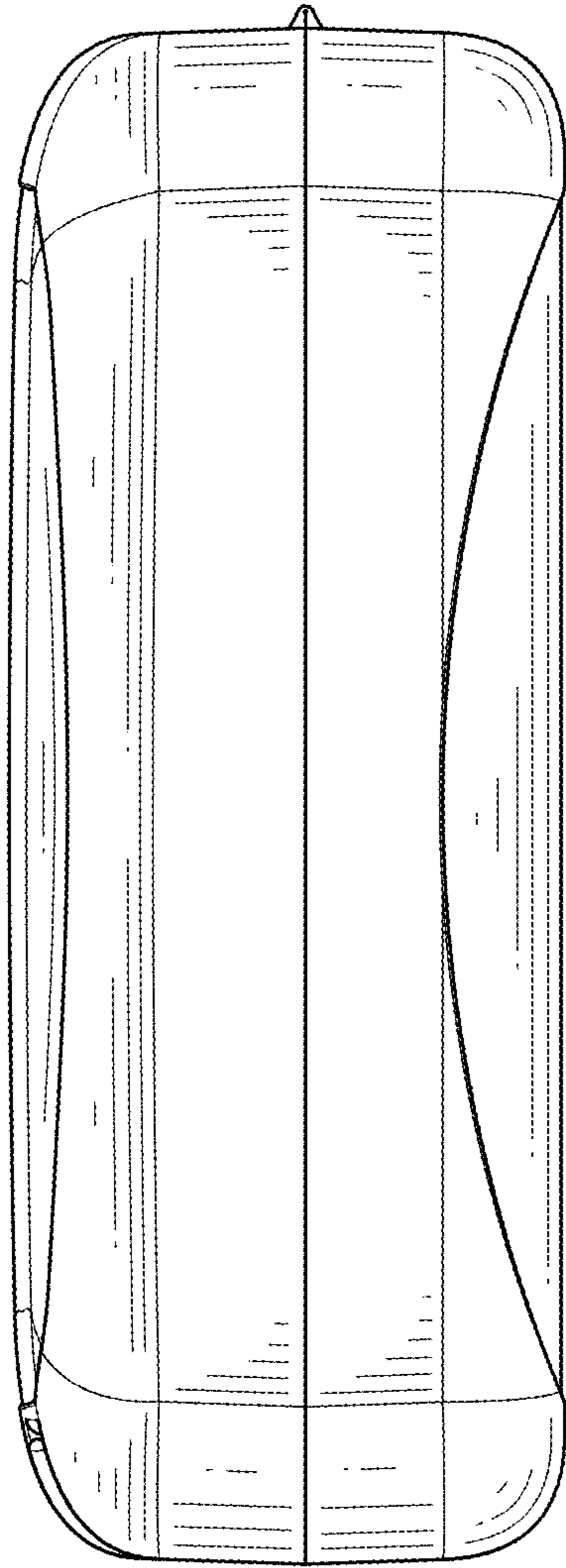


FIG. 5

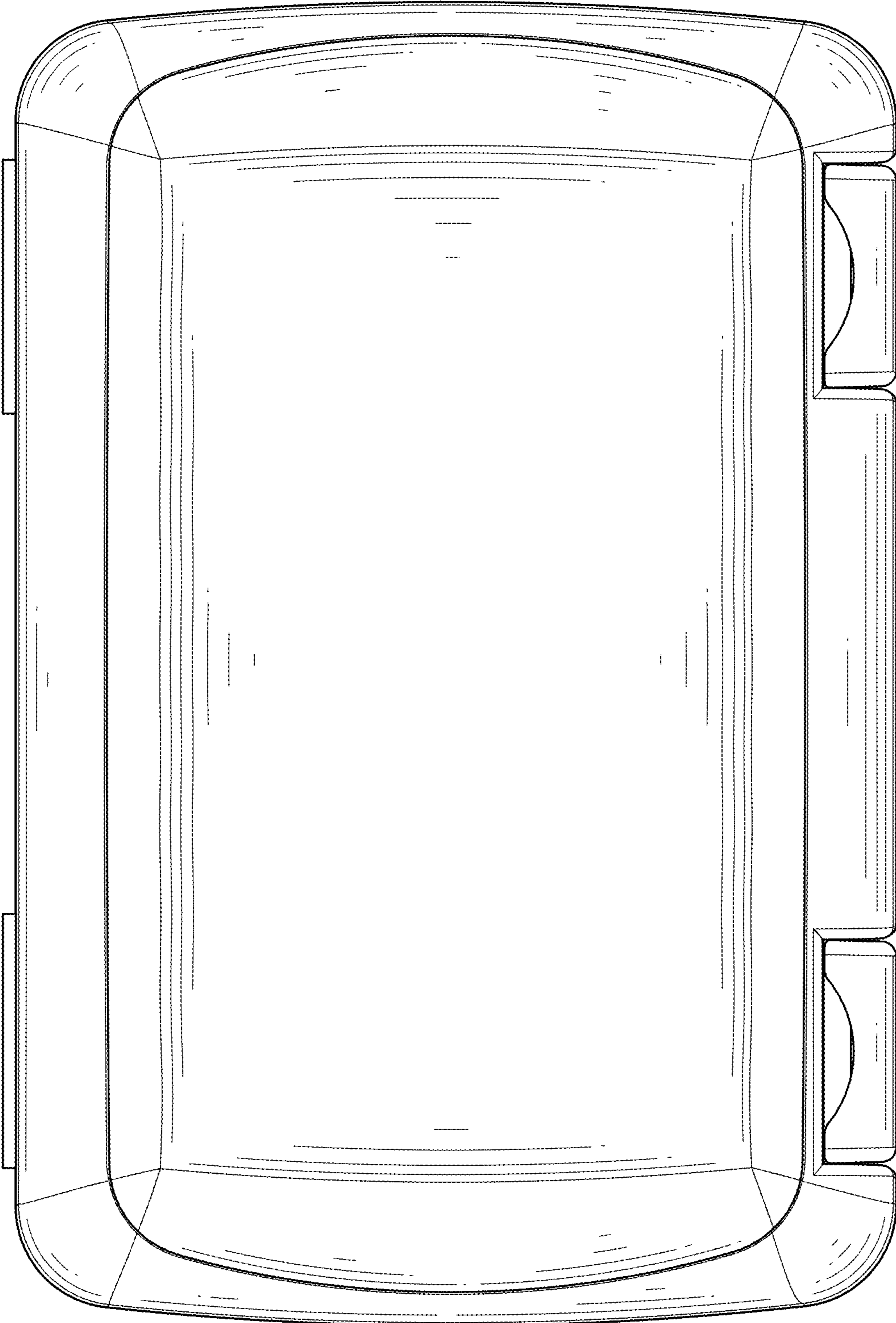


FIG.6

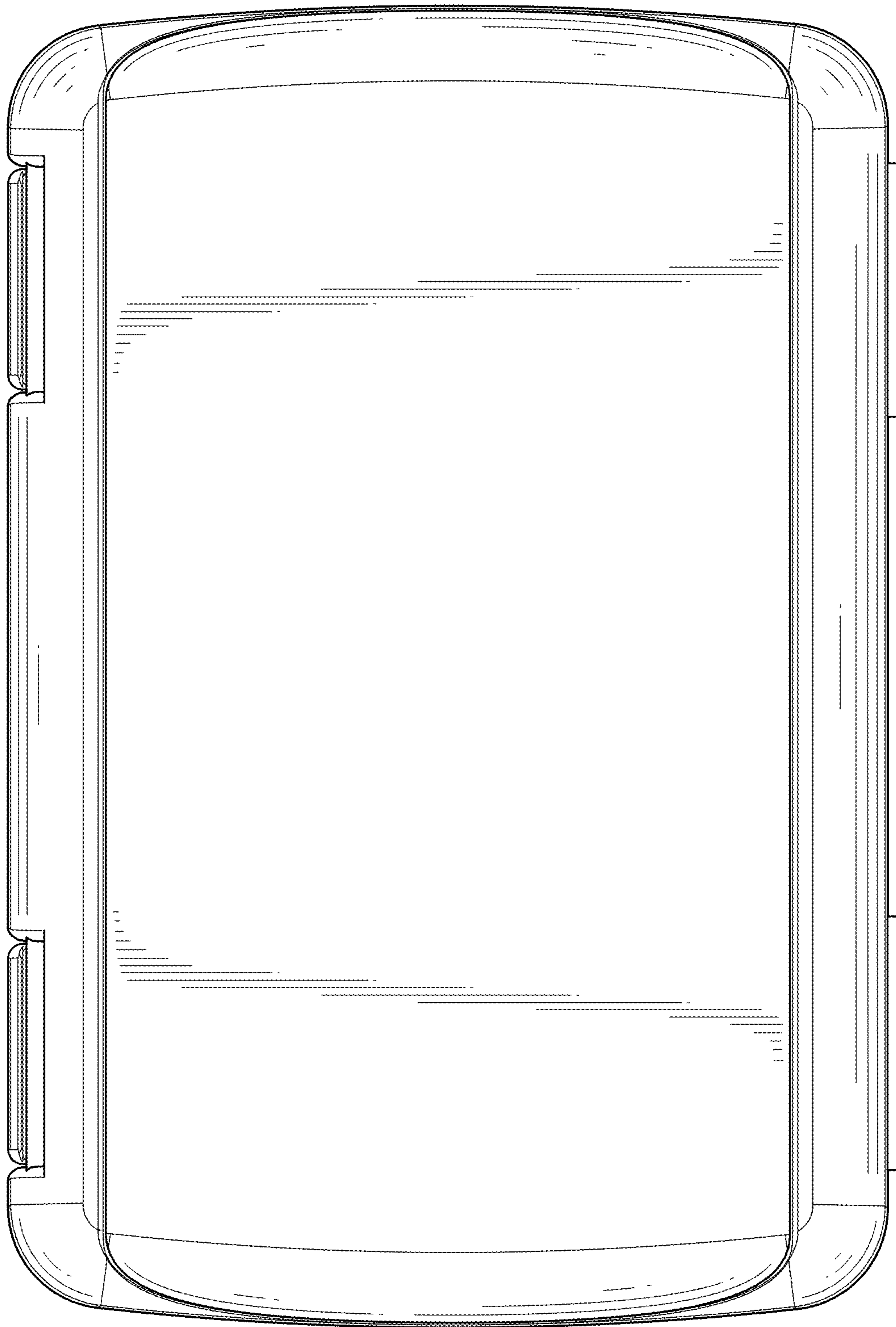


FIG.7

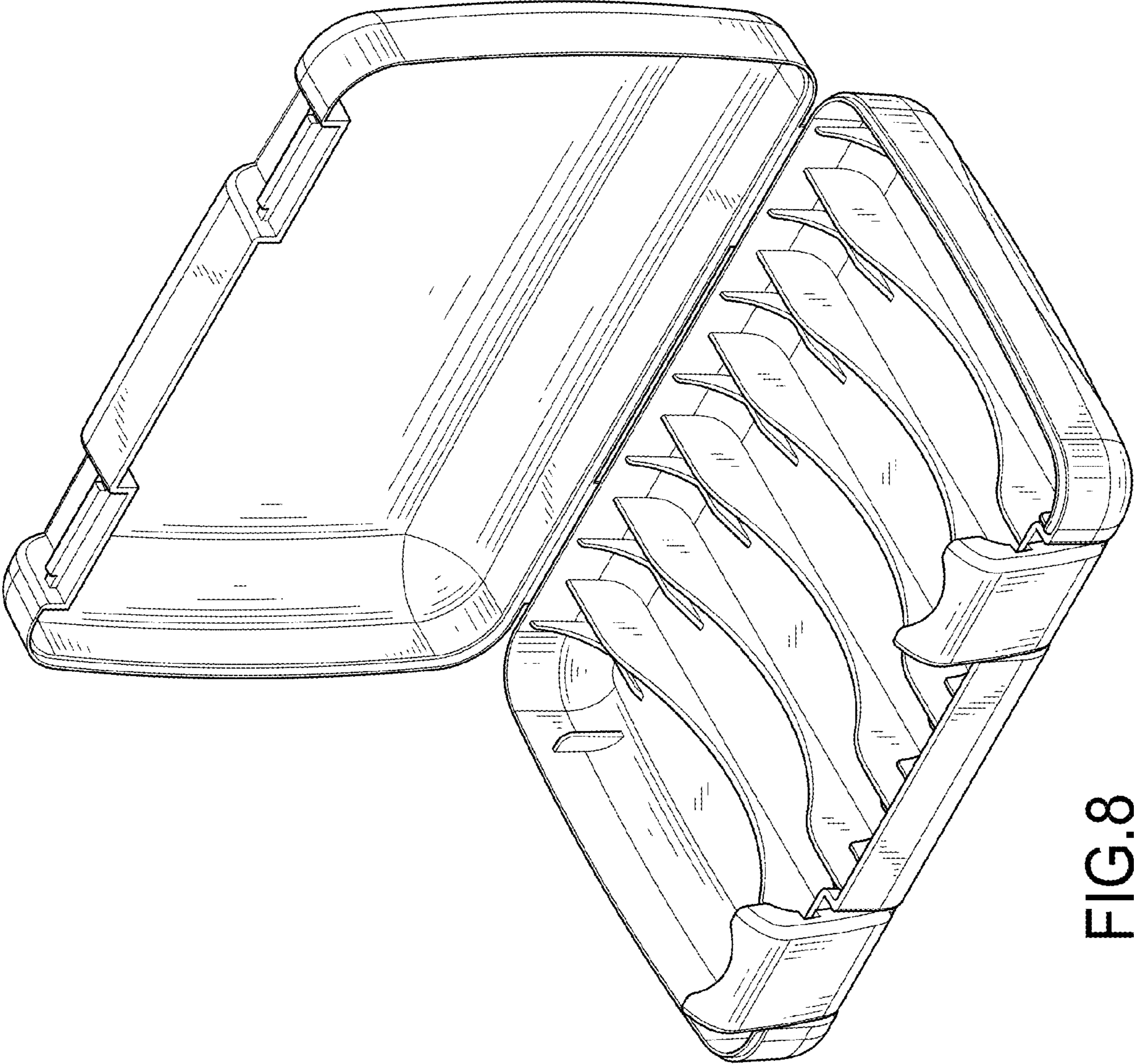


FIG.8

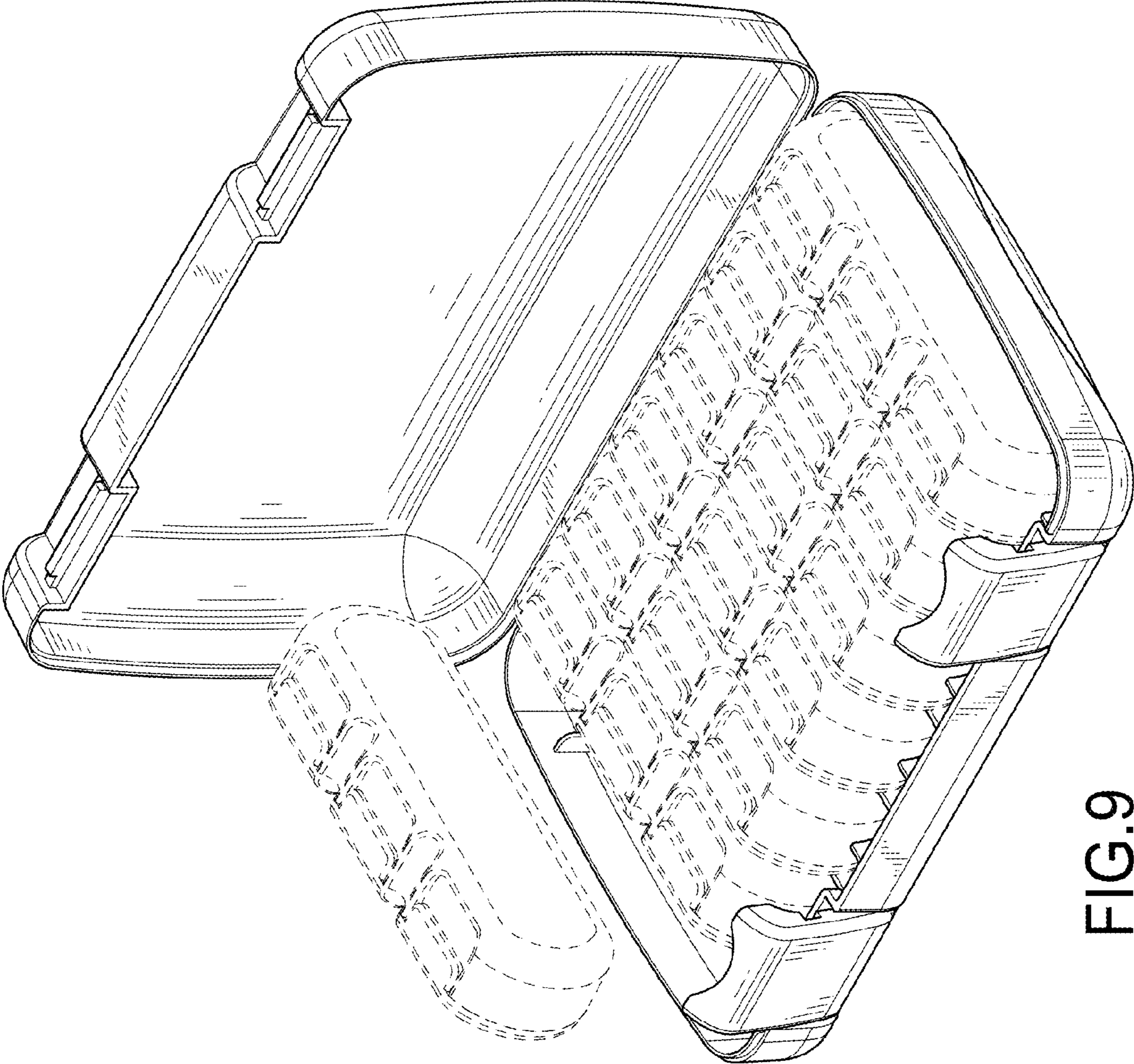


FIG.9