



US00D953704S

(12) **United States Design Patent**
Fan

(10) **Patent No.:** **US D953,704 S**

(45) **Date of Patent:** **** Jun. 7, 2022**

- (54) **FEET CLEANER SLIPPER**
- (71) Applicant: **BAOBO TRADING CO., LIMITED,**
HongKong (CN)
- (72) Inventor: **Jingui Fan,** Shantou (CN)
- (**) Term: **15 Years**
- (21) Appl. No.: **29/779,265**
- (22) Filed: **Apr. 18, 2021**
- (51) **LOC (13) Cl.** **02-04**
- (52) **U.S. Cl.**
USPC **D2/896; D28/63; D24/212**
- (58) **Field of Classification Search**
USPC D2/896–900, 916–925, 940, 943, 946,
D2/950–953, 961; D28/56, 57, 63;
D24/214
CPC .. A43B 3/12; A43B 3/10; A43B 3/122; A43B
23/25
See application file for complete search history.

- 6,684,444 B2 * 2/2004 Wheeler A47K 7/026
4/606
- D495,474 S * 9/2004 Dal Magro D2/916
- D497,471 S * 10/2004 Hankamer D2/961
- D508,132 S * 8/2005 Huang D24/212
- 7,188,438 B1 * 3/2007 Bowen A43B 3/18
36/7.1 R
- D595,898 S * 7/2009 Syran D28/63
- D635,720 S * 4/2011 Cammarano D28/63
- D683,919 S 6/2013 Luedke et al.
- D698,454 S * 1/2014 DiStefano D24/215
- D712,058 S * 8/2014 Huang D24/215
- D734,011 S * 7/2015 Lu D2/961
- 9,192,205 B2 * 11/2015 McDowell A43B 5/08
- D750,795 S * 3/2016 Cao D24/212

(Continued)

OTHER PUBLICATIONS

Amazon.com “Simple Feet Cleaner, Feet Cleaning Brush, Foot Scrubber for Washer Shower Spa Massager Slippers” Review dated Aug. 30, 2019. URL: <https://www.amazon.sg/Cleaner-Cleaning-Scrubber-Massager-Slippers/dp/B07M9JH6XL>.

Primary Examiner — Rashida C. Walshon

(74) *Attorney, Agent, or Firm* — Xiaofang Zhong; Law Office of Xiaofang Zhong, PLLC

(56) **References Cited**

U.S. PATENT DOCUMENTS

- 3,722,113 A * 3/1973 Birkenstock A43B 7/142
36/43
- D250,738 S * 1/1979 Foldes D2/916
- D278,571 S * 4/1985 Eber D2/916
- D280,868 S * 10/1985 Russell D4/118
- D374,505 S * 10/1996 Garrison D28/63
- 5,983,433 A * 11/1999 Chapman A46B 11/002
4/606
- D439,016 S * 3/2001 Syran D28/63
- 6,226,811 B1 * 5/2001 Fagan A47K 7/024
4/606
- 6,389,631 B1 * 5/2002 Keith A47K 7/026
15/160
- 6,405,400 B1 * 6/2002 McClain A47K 7/026
4/606
- D463,625 S * 9/2002 Chau D28/63
- D478,174 S * 8/2003 Huang D24/212

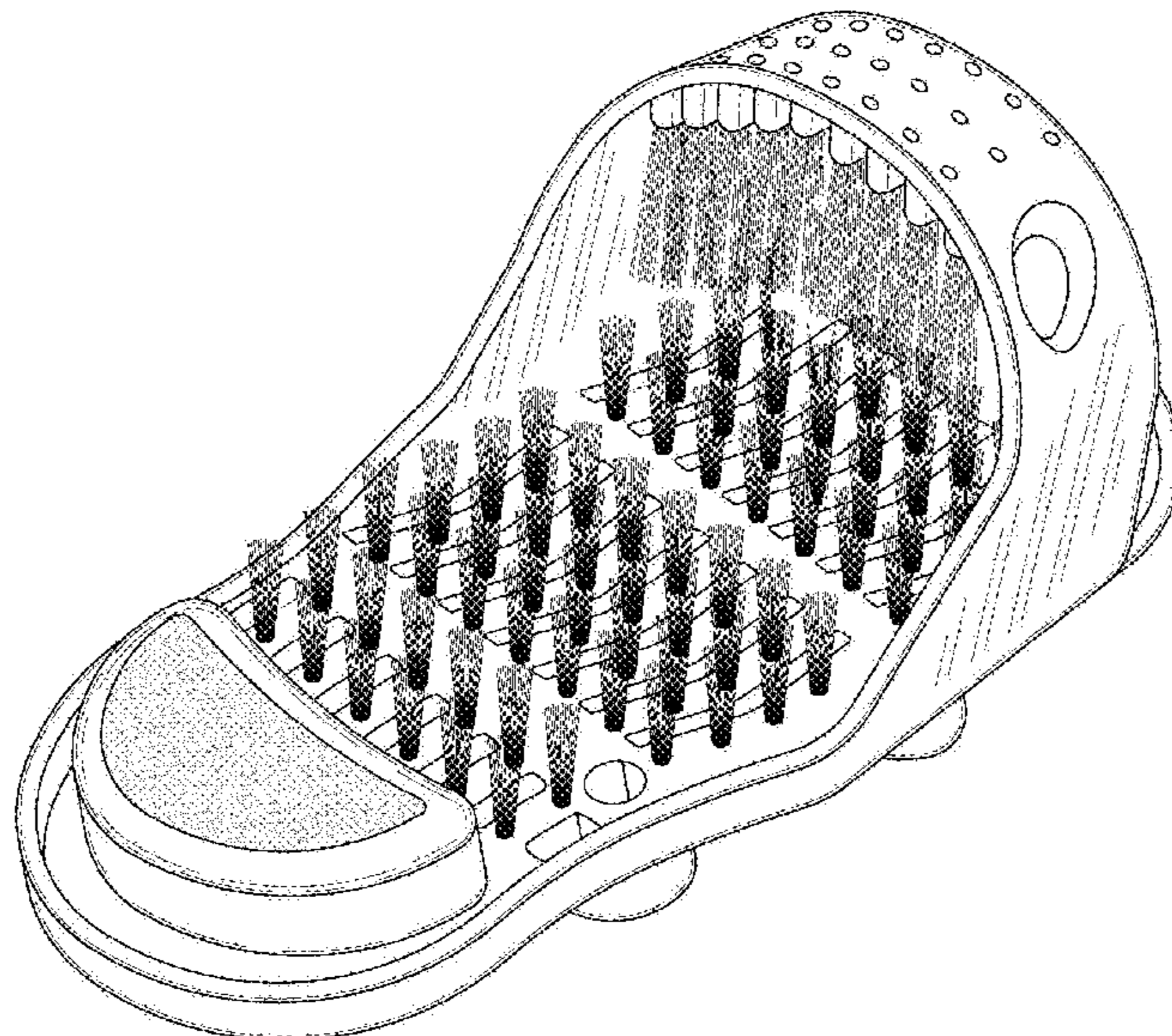
(57) **CLAIM**

The ornamental design for a feet cleaner slipper, as shown and described.

DESCRIPTION

FIG. 1 is a perspective view of a feet cleaner slipper showing my new design;
FIG. 2 is a rear elevational view thereof;
FIG. 3 is a front elevational view thereof;
FIG. 4 is a right-side elevational view thereof;
FIG. 5 is a left-side elevational view thereof;
FIG. 6 is a top plan view thereof; and,
FIG. 7 is a bottom plan view thereof.

1 Claim, 7 Drawing Sheets



(56)

References Cited

U.S. PATENT DOCUMENTS

D772,542 S * 11/2016 Grymes D2/897
D782,827 S * 4/2017 Jenkins D4/136
D791,961 S * 7/2017 Song D24/213
D819,307 S 6/2018 Wurtz
D918,410 S * 5/2021 Sedic D24/215

* cited by examiner

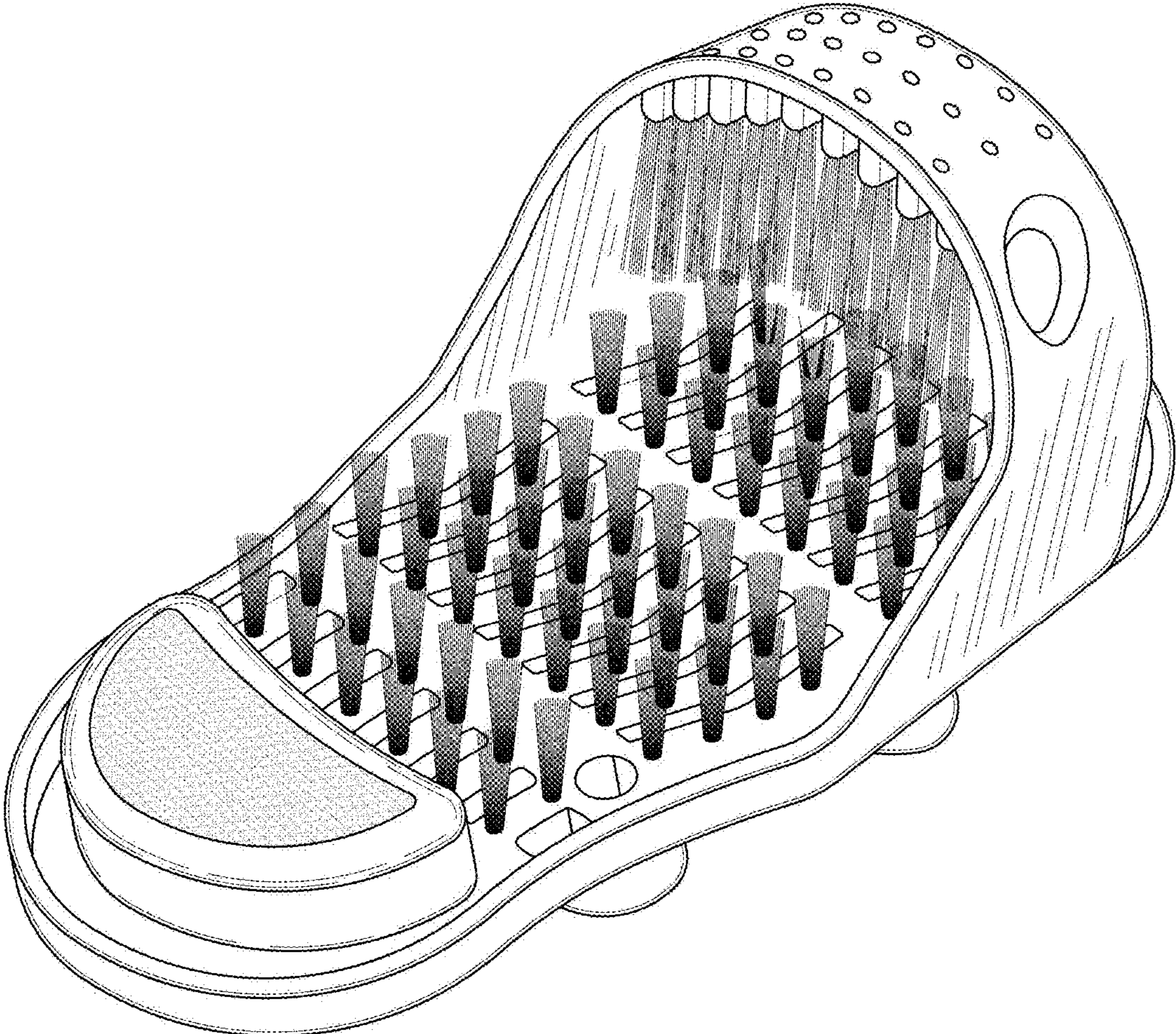


FIG. 1

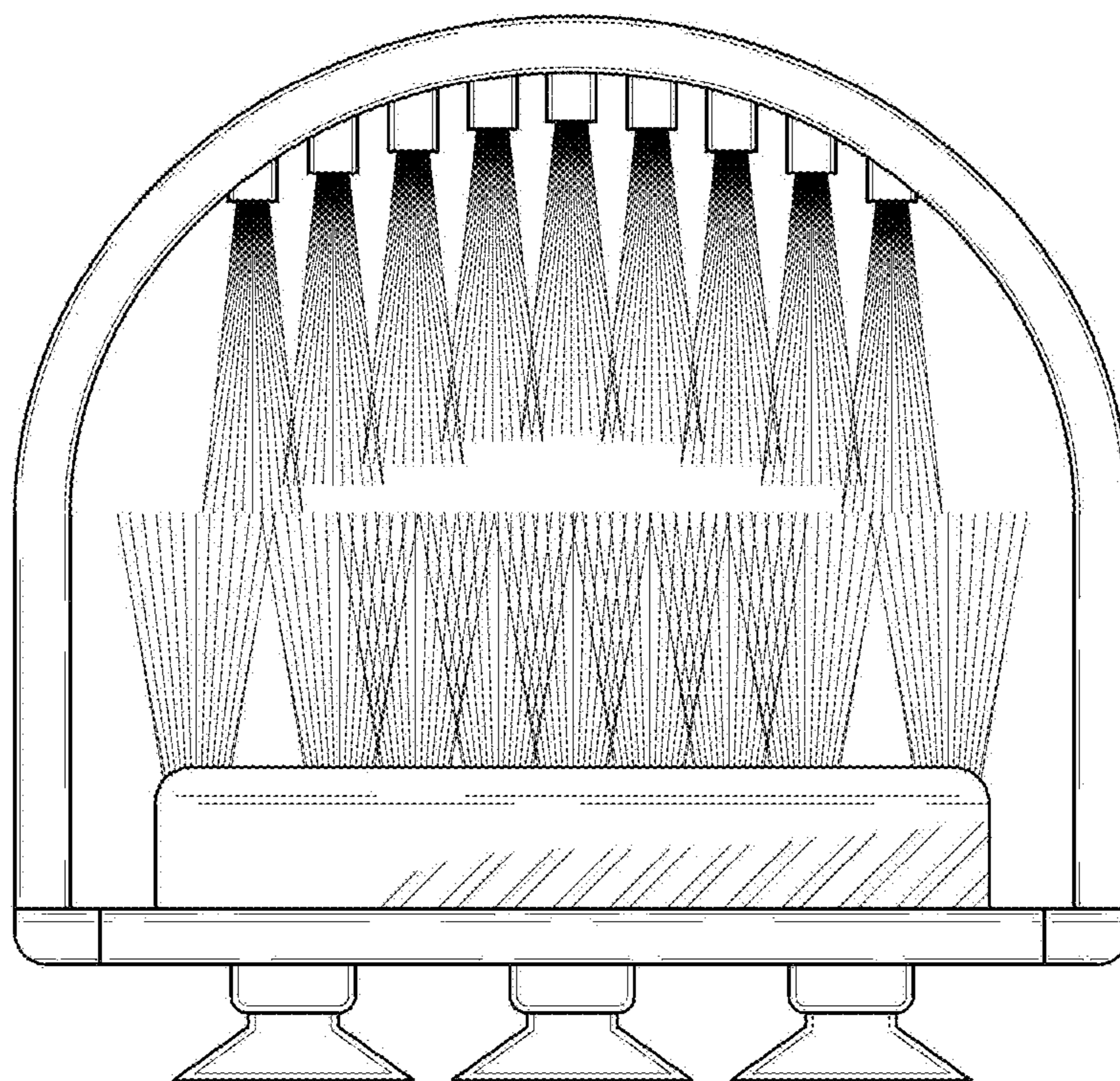


FIG. 2

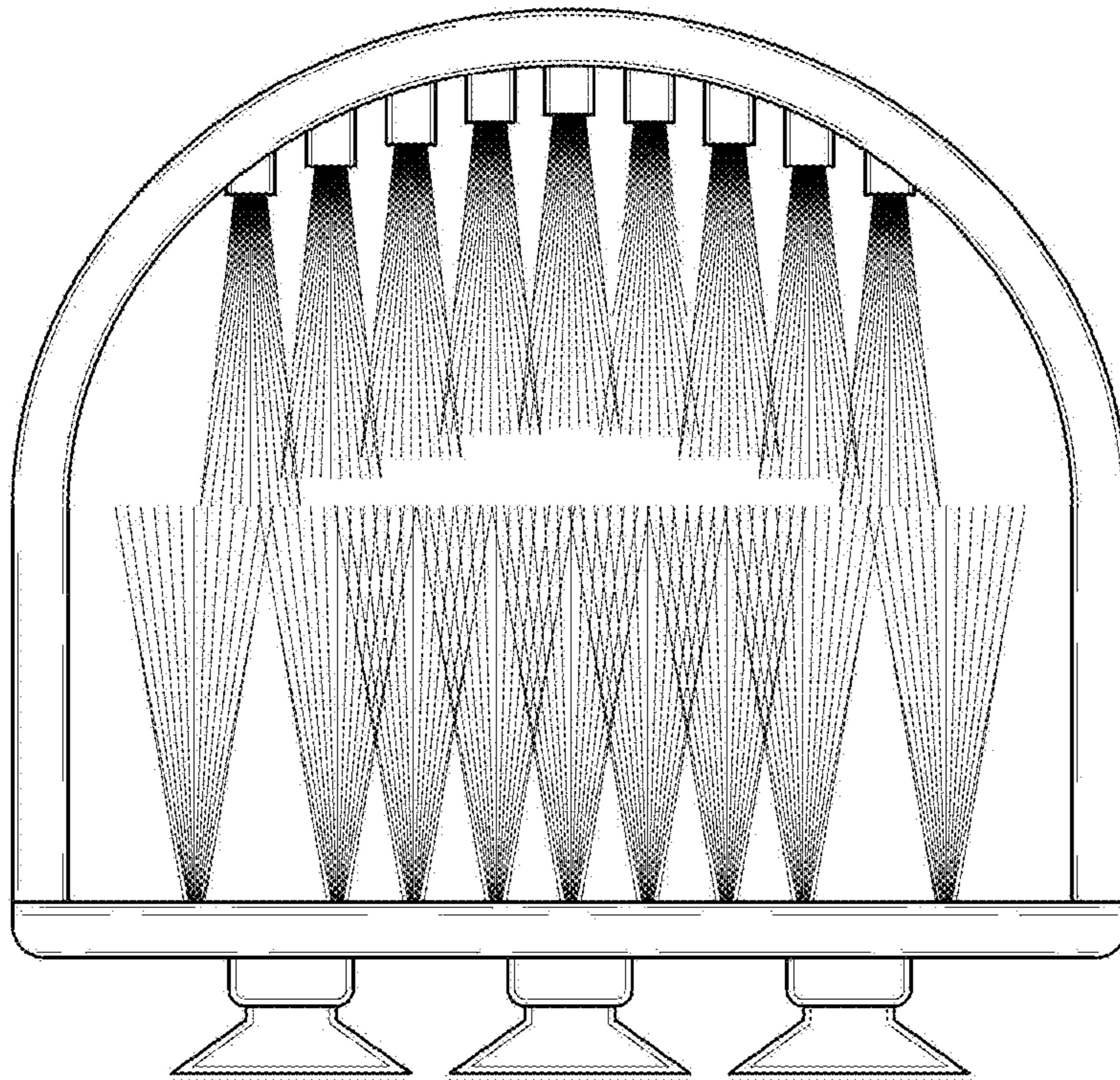


FIG. 3

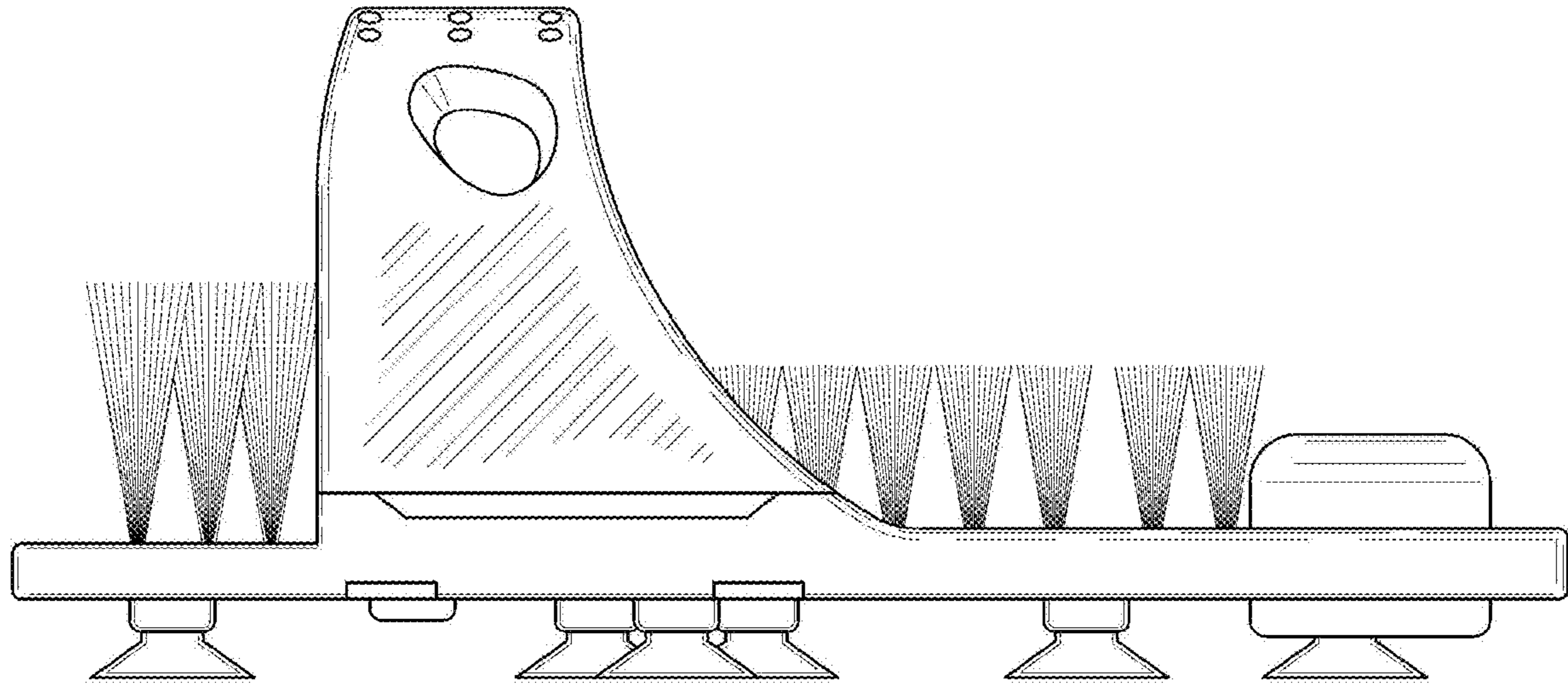


FIG. 4

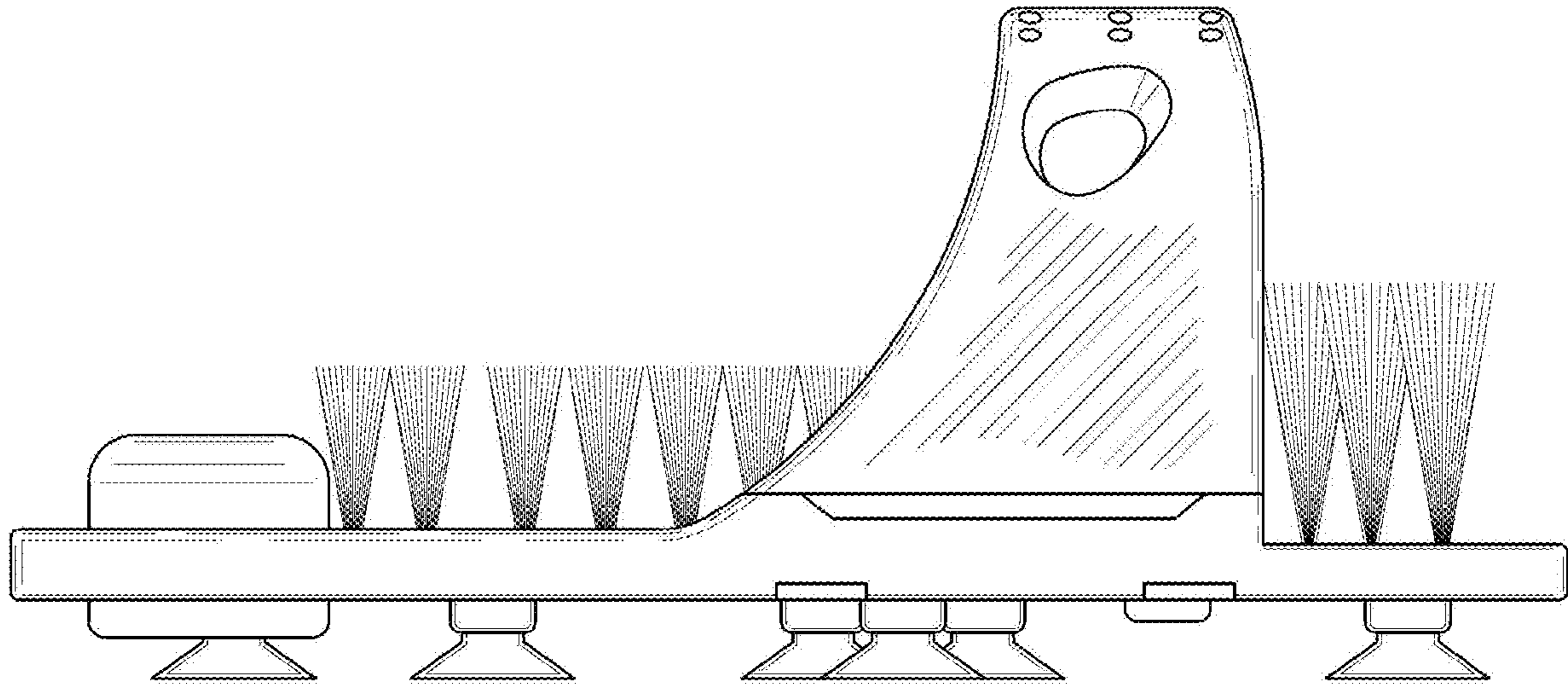


FIG. 5

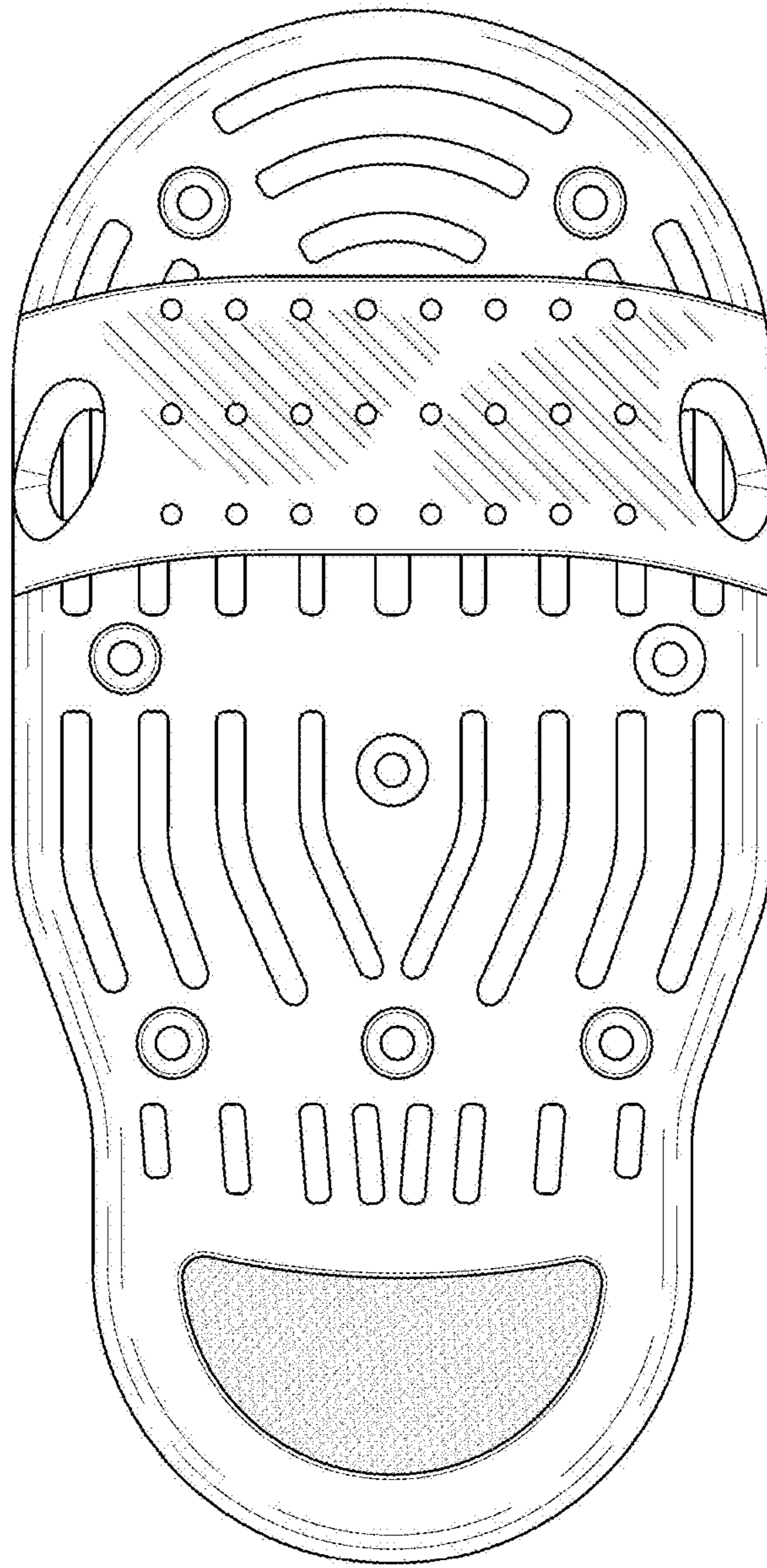


FIG. 6

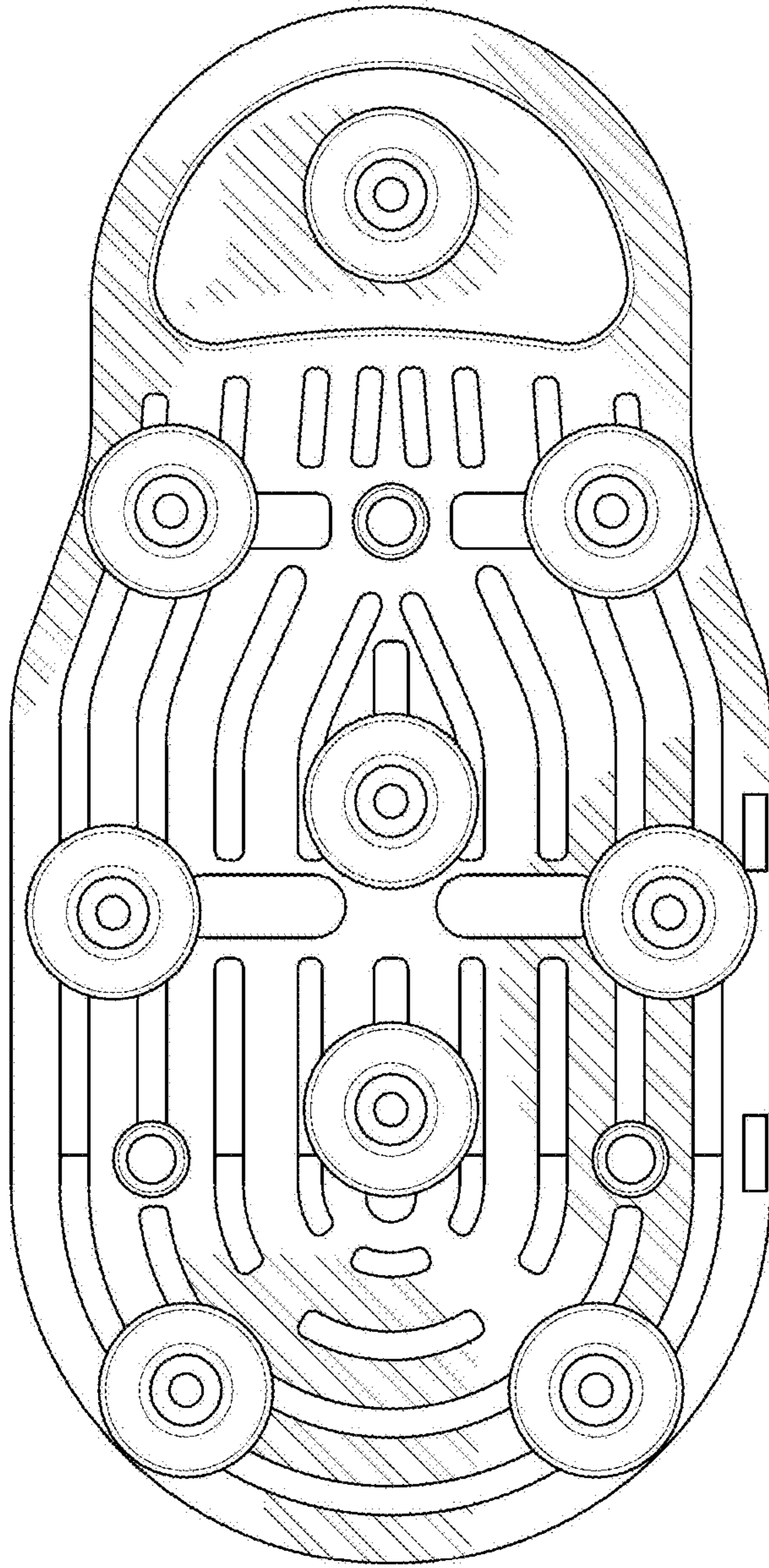


FIG. 7