



US00D953703S

(12) **United States Design Patent** (10) **Patent No.:** **US D953,703 S**  
**Maddocks et al.** (45) **Date of Patent:** **\*\* Jun. 7, 2022**

(54) **HEADWEAR**

(71) Applicant: **BullBird LLC**, Boulder, CO (US)

(72) Inventors: **Glenn Maddocks**, Boulder, CO (US);  
**Bryan Norman**, Boulder, CO (US);  
**Matthew Robert Kubis**, Longmont,  
CO (US)

(73) Assignee: **BullBird LLC**, Boulder, CO (US)

(\*\*) Term: **15 Years**

(21) Appl. No.: **29/718,066**

(22) Filed: **Dec. 20, 2019**

(51) **LOC (13) Cl.** ..... **02-03**

(52) **U.S. Cl.**  
USPC ..... **D2/866**

(58) **Field of Classification Search**  
USPC ..... D2/865, 866, 869, 872, 876, 882, 891,  
D2/892, 893, 895; D16/307, 309, 310,  
(Continued)

(56) **References Cited**

**U.S. PATENT DOCUMENTS**

899,334 A 9/1908 Seitzman  
2,462,258 A 2/1949 Dannenberg  
(Continued)

**FOREIGN PATENT DOCUMENTS**

CA 2939387 A1 2/2018  
EP 1243189 A1 9/2002  
(Continued)

**OTHER PUBLICATIONS**

Travel Cap with Integrated Sleep Mask, [online]; [review published to the internet approximately Jul. 13, 2021]; [retrieved from the internet on Jan. 13, 2022]; URL: <https://www.bullbirdgear.com/products/travel-cap>. (20 pages). (Year: 2021).\*

*Primary Examiner* — Jasmine Mlinarcik

(74) *Attorney, Agent, or Firm* — Michael Best & Friedrich LLP

(57) **CLAIM**

We claim the ornamental design for headwear, as shown and described.

**DESCRIPTION**

FIG. 1 is a front-left perspective view of a headwear of the present disclosure, with a sleep mask of the headwear in a deployed position.

FIG. 2 is a front-right perspective view of the headwear of FIG. 1, with the sleep mask in the deployed position.

FIG. 3 is a right elevation view of the headwear of FIG. 1, with the sleep mask in the deployed position.

FIG. 4 is a left elevation view of the headwear of FIG. 1, with the sleep mask in the deployed position.

FIG. 5 is a front elevation view of the headwear of FIG. 1, with the sleep mask in the deployed position.

FIG. 6 is a rear elevation view of the headwear of FIG. 1, with the sleep mask in the deployed position.

FIG. 7 is a top plan view of the headwear of FIG. 1.

FIG. 8 is a bottom plan view of the headwear of FIG. 1, with the sleep mask in the deployed position.

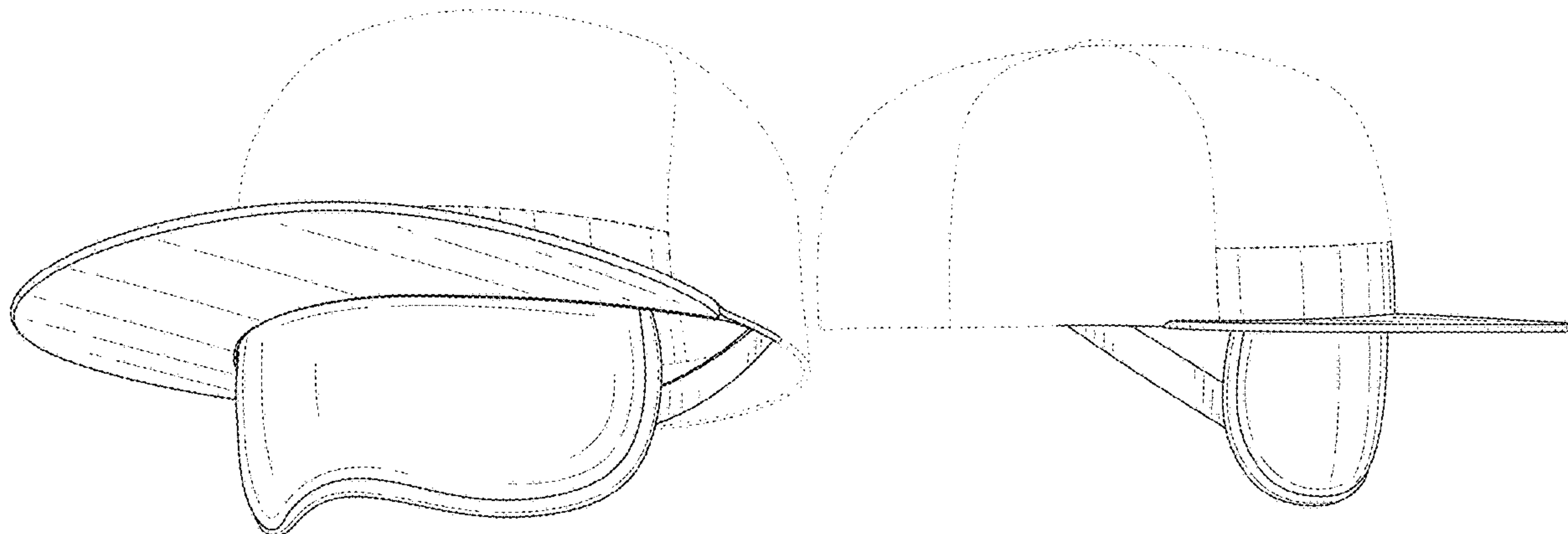
FIG. 9 is a bottom-right perspective view of the headwear of FIG. 1, with the sleep mask in a storage position.

FIG. 10 is a bottom-left perspective view of the headwear of FIG. 1, with the sleep mask in the storage position; and,

FIG. 11 is a bottom plan view of the headwear of FIG. 1, with the sleep mask in the storage position.

The short dashed broken lines that define portions of the headwear are included for the purpose of illustrating environment and from no part of the claimed design. The long dashed broken lines along the surfaces of the sleep mask of the headwear depict claimed stitch lines. The unequal length broken lines illustrate the boundary of the claimed design and form no part of the claimed design.

**1 Claim, 9 Drawing Sheets**



# US D953,703 S

Page 2

(58) **Field of Classification Search**

USPC ..... D16/314, 340; D29/102, 103, 104, 108,  
D29/122

CPC ..... A42B 1/00; A42B 1/004; A42B 1/006;  
A42B 1/06; A42B 1/24; A42B 1/247;  
A42B 3/22; A42B 3/221; A42B 3/227;  
A61F 9/04

See application file for complete search history.

(56) **References Cited**

U.S. PATENT DOCUMENTS

3,132,345 A 5/1964 Keith  
5,144,695 A 9/1992 Schweizer  
5,491,841 A 2/1996 Valletta  
5,685,017 A 11/1997 Kraft  
D403,490 S \* 1/1999 Posner ..... D2/866  
D406,440 S \* 3/1999 Wulle ..... D2/879  
5,933,871 A 8/1999 Kraft  
6,021,525 A 2/2000 Mertins  
6,381,750 B1 5/2002 Mangan  
6,442,762 B1 9/2002 Neumann  
6,739,718 B1 5/2004 Jung

6,935,741 B2 \* 8/2005 Denney ..... A42B 1/247  
2/10  
D533,888 S \* 12/2006 Murphy ..... D16/309  
7,185,371 B2 \* 3/2007 Koo ..... A42B 1/247  
2/209.13  
D546,030 S \* 7/2007 Wilson ..... D16/309  
D622,941 S \* 9/2010 Frey ..... D2/882  
D838,086 S \* 1/2019 Pisharodi ..... D2/866  
D871,679 S \* 12/2019 Holslag ..... D29/122  
D915,743 S \* 4/2021 Whittington ..... D2/866  
11,039,651 B1 \* 6/2021 Bosworth ..... G06F 3/012  
2005/0066417 A1 3/2005 Larson  
2006/0272074 A1 12/2006 Fouts  
2013/0340142 A1 12/2013 Saladino  
2015/0150726 A1 \* 6/2015 Flaxman ..... A42B 1/0181  
128/858  
2016/0073720 A1 3/2016 Niedrich  
2019/0174855 A1 6/2019 D'ambrosio

FOREIGN PATENT DOCUMENTS

EP 2854583 B1 11/2016  
FR 2747275 A1 10/1997  
JP 3157831 U 3/2010

\* cited by examiner

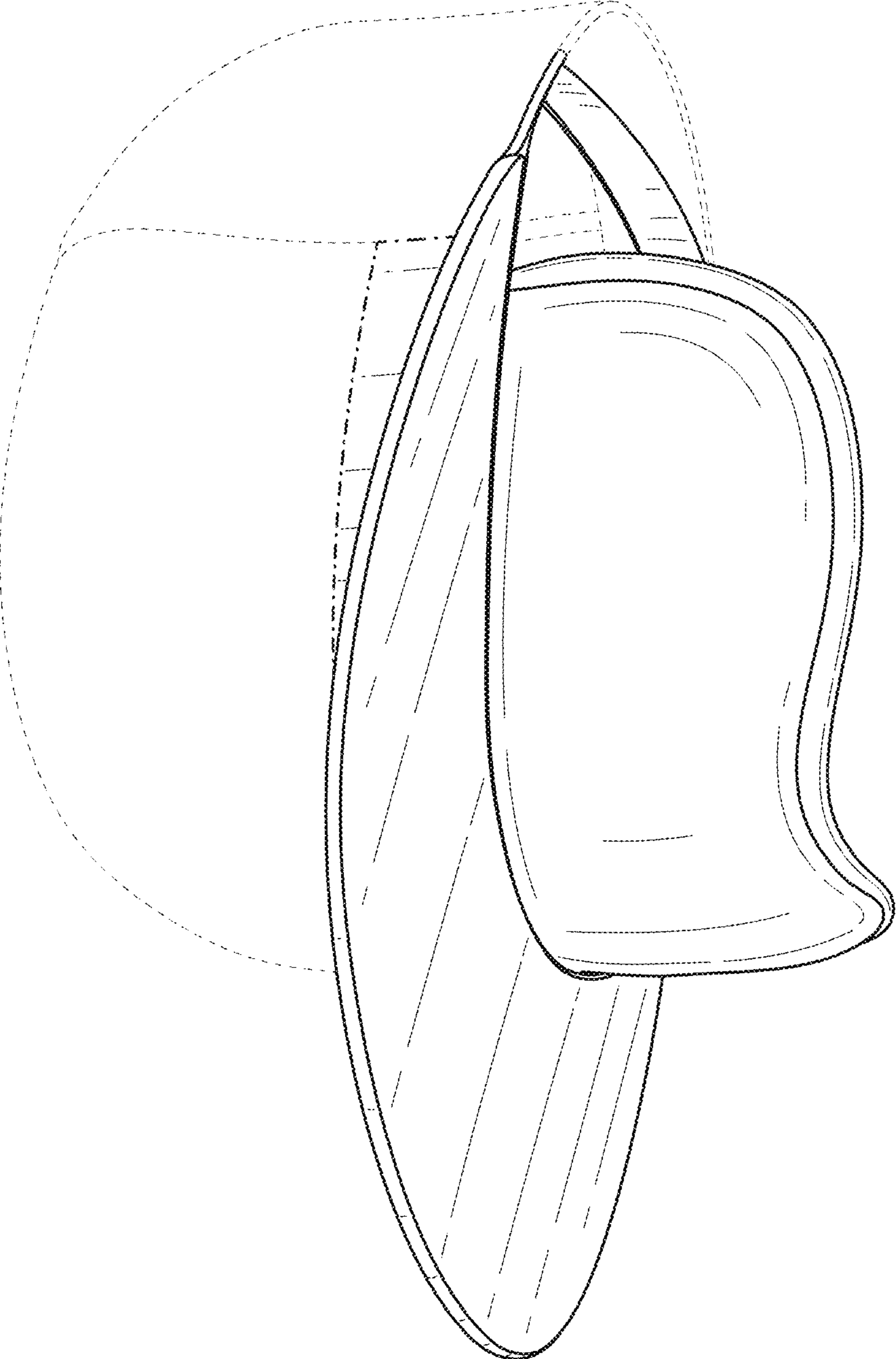


FIG. 1

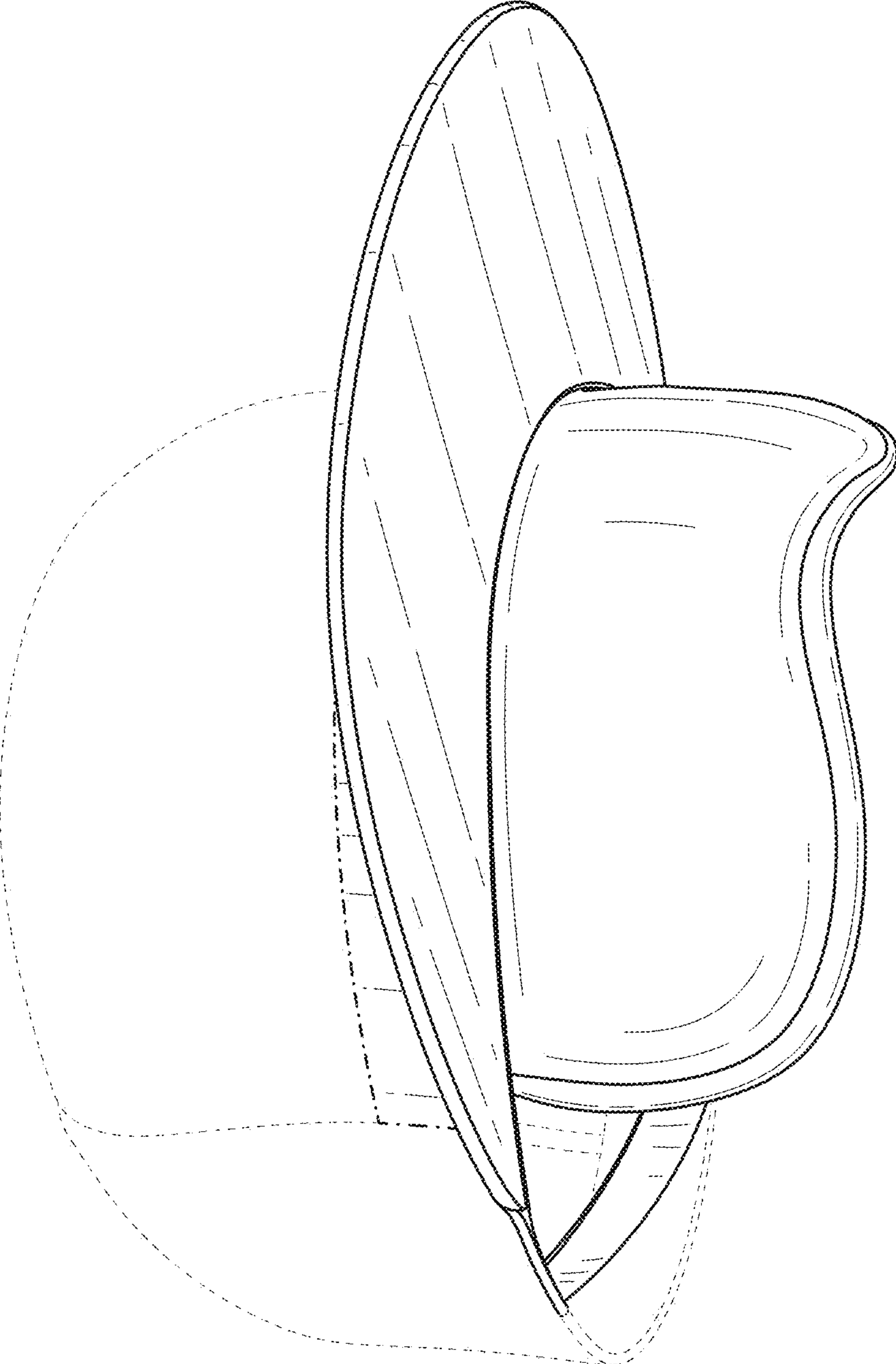
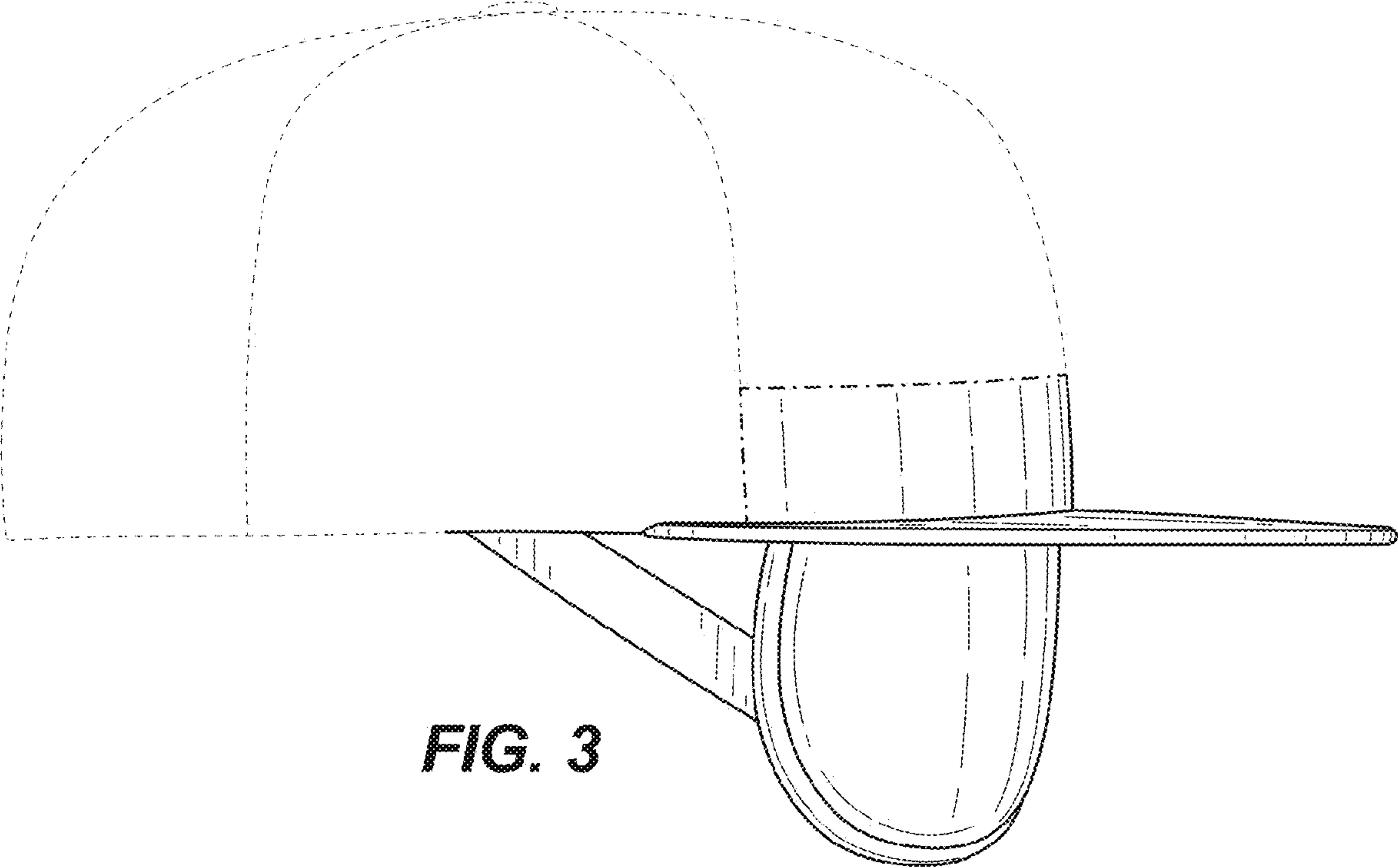
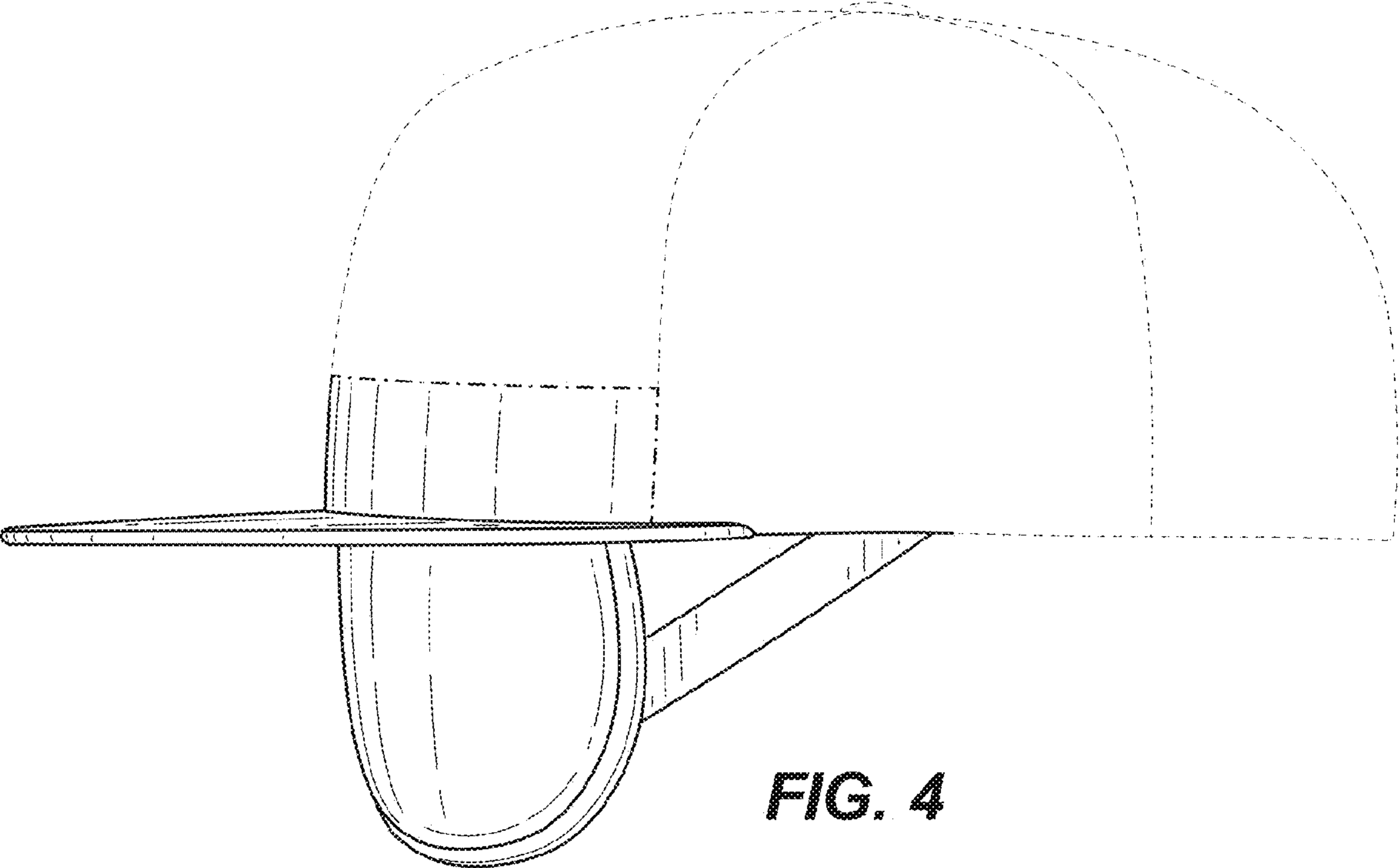


FIG. 2

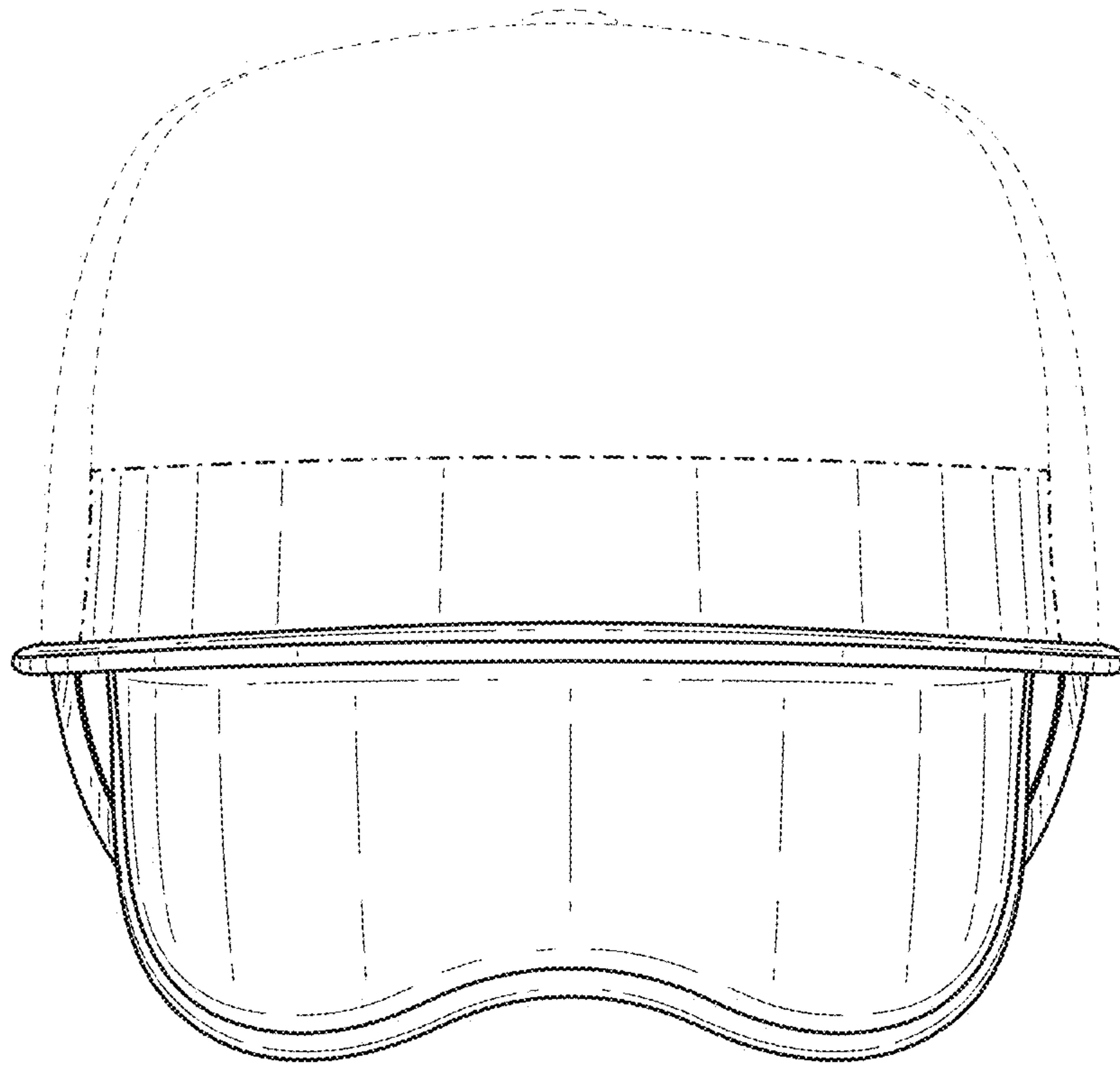




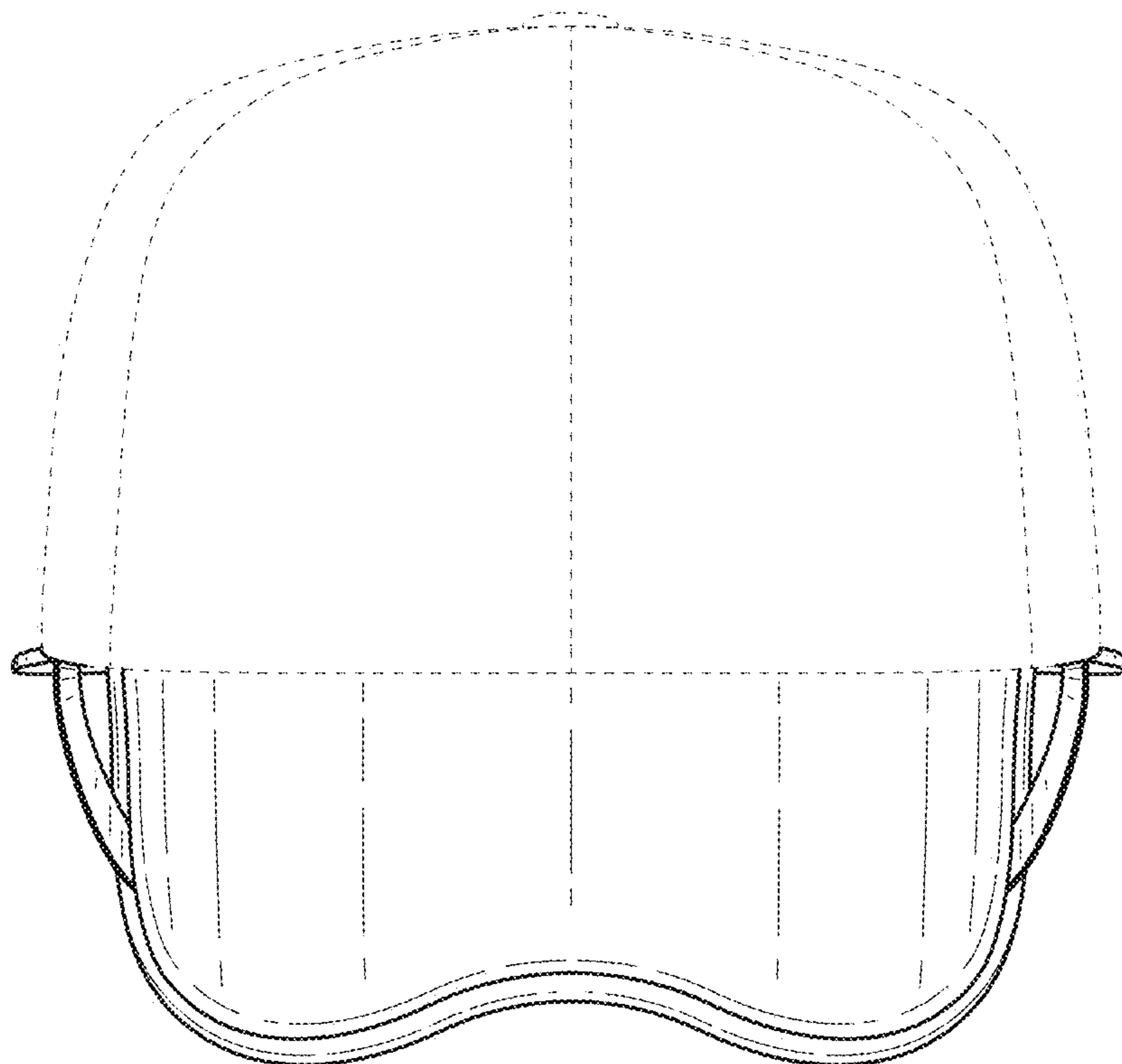
**FIG. 3**



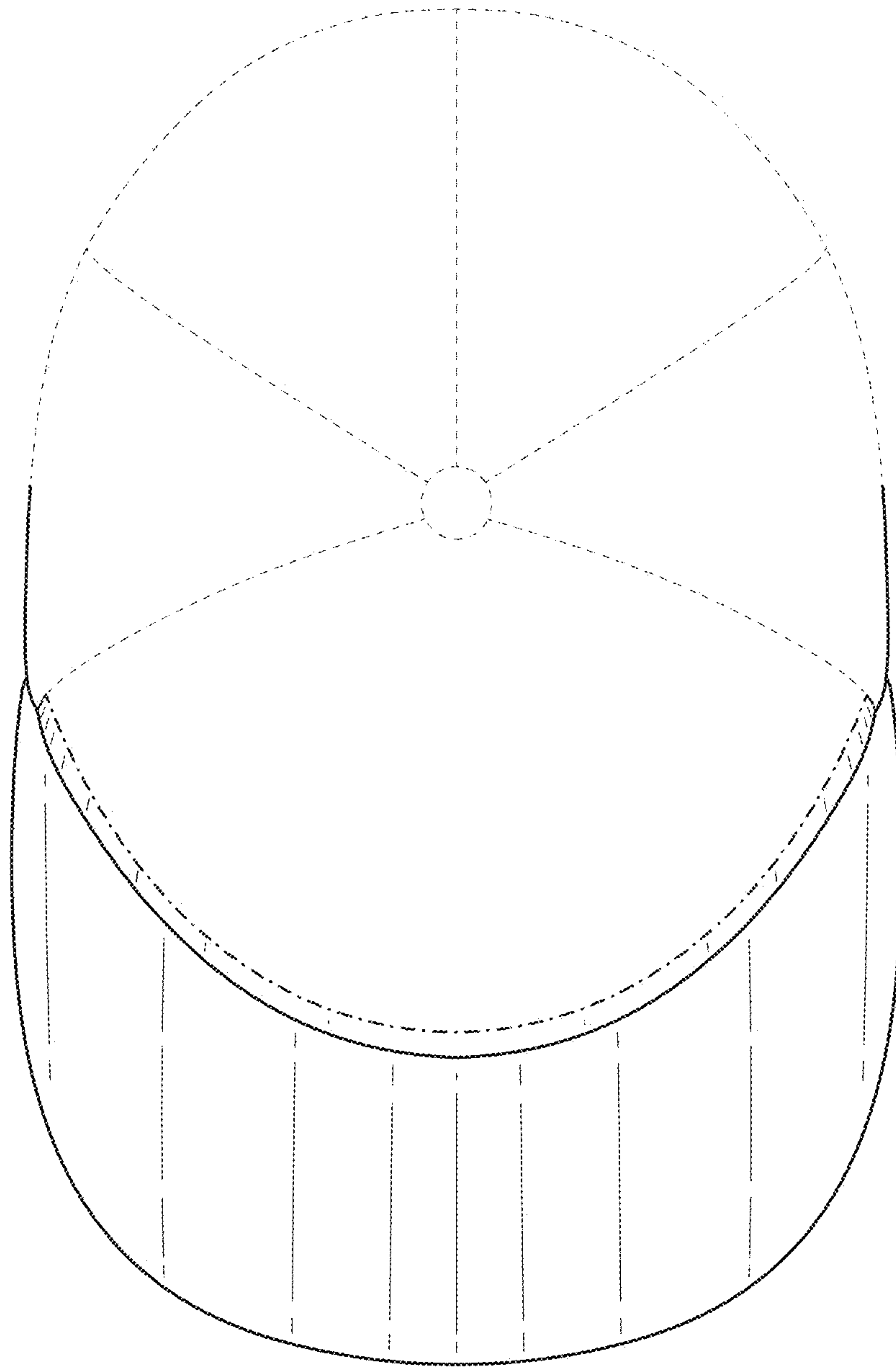
**FIG. 4**



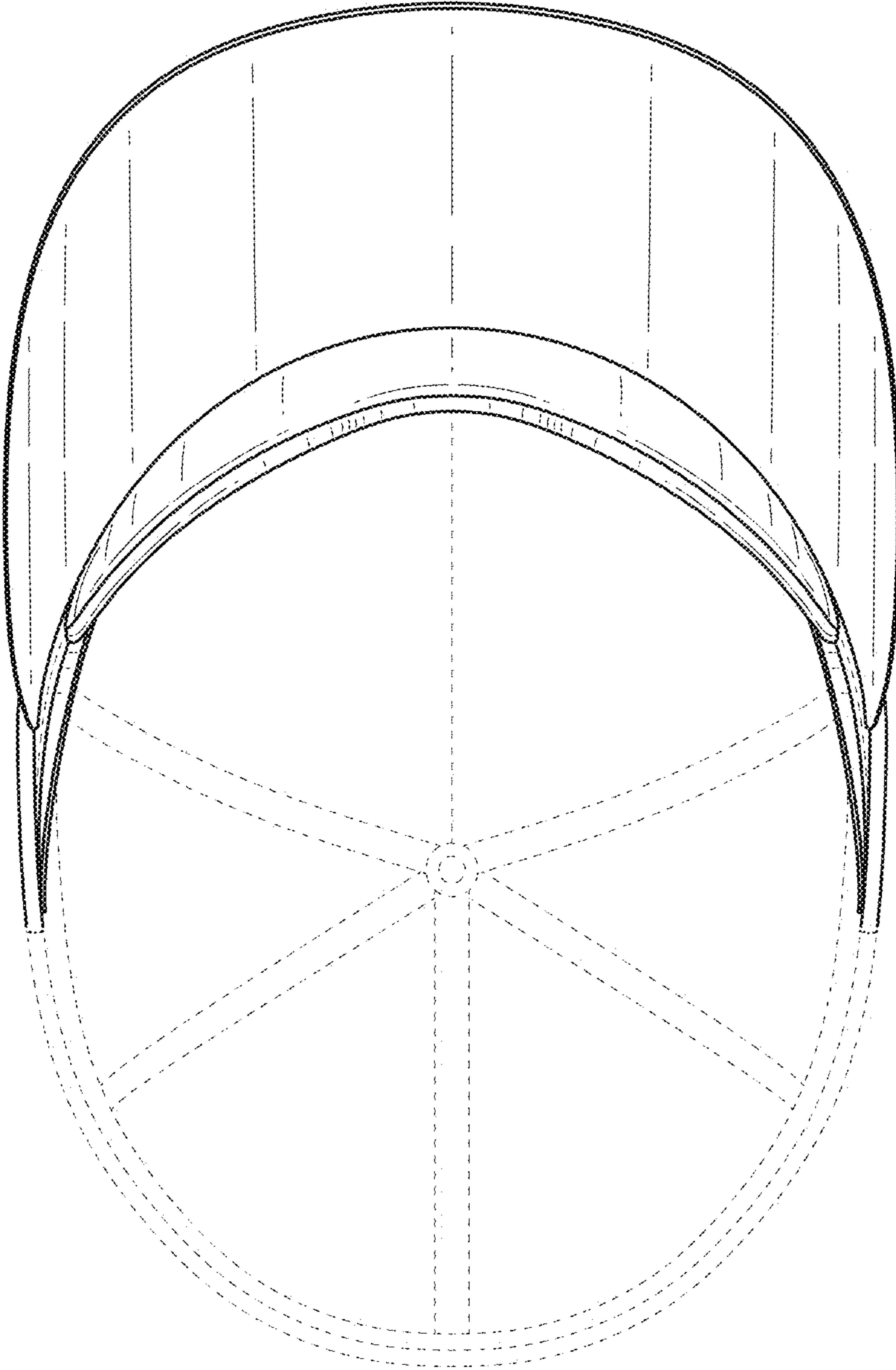
**FIG. 5**



**FIG. 6**



**FIG. 7**



**FIG. 8**



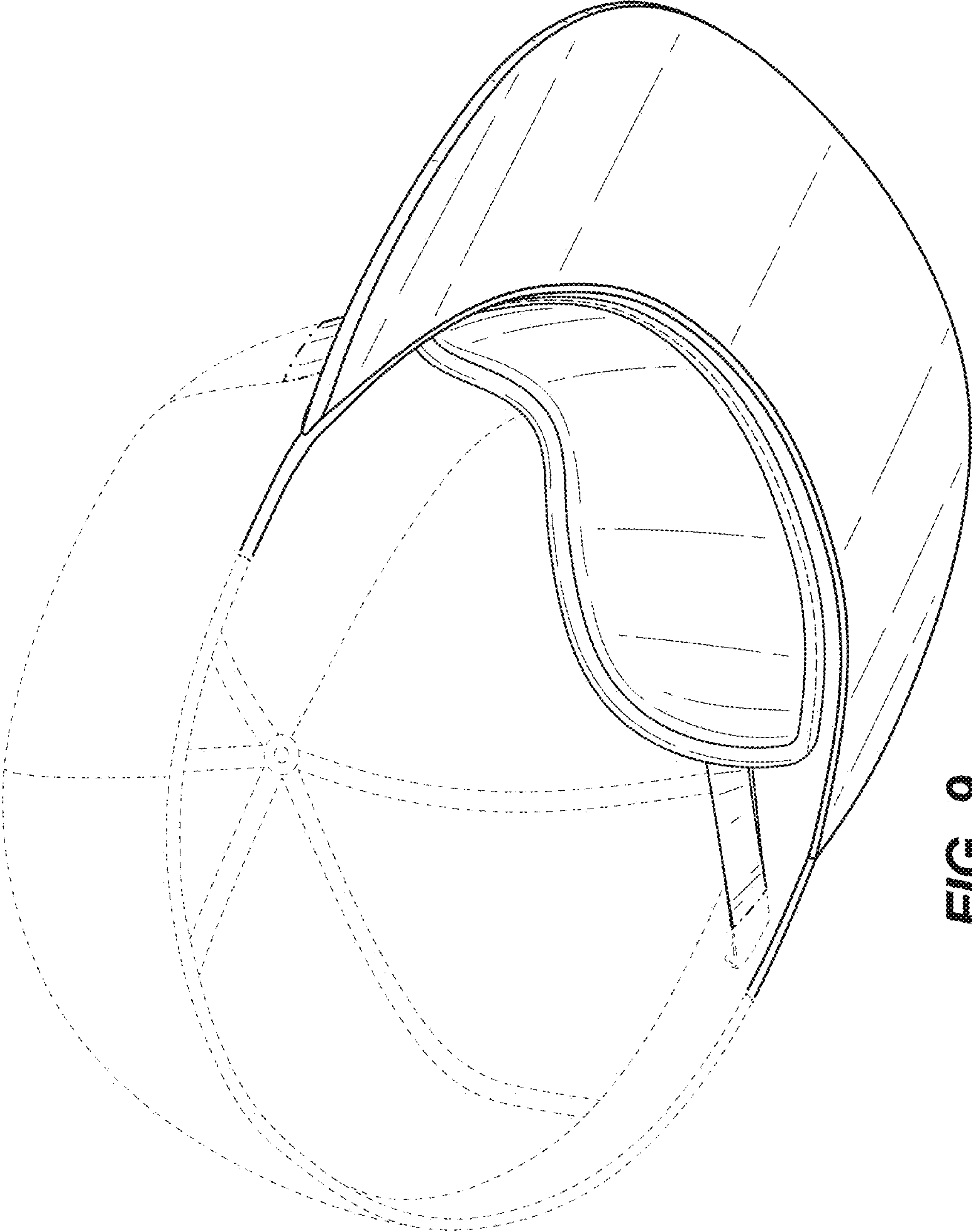


FIG. 9

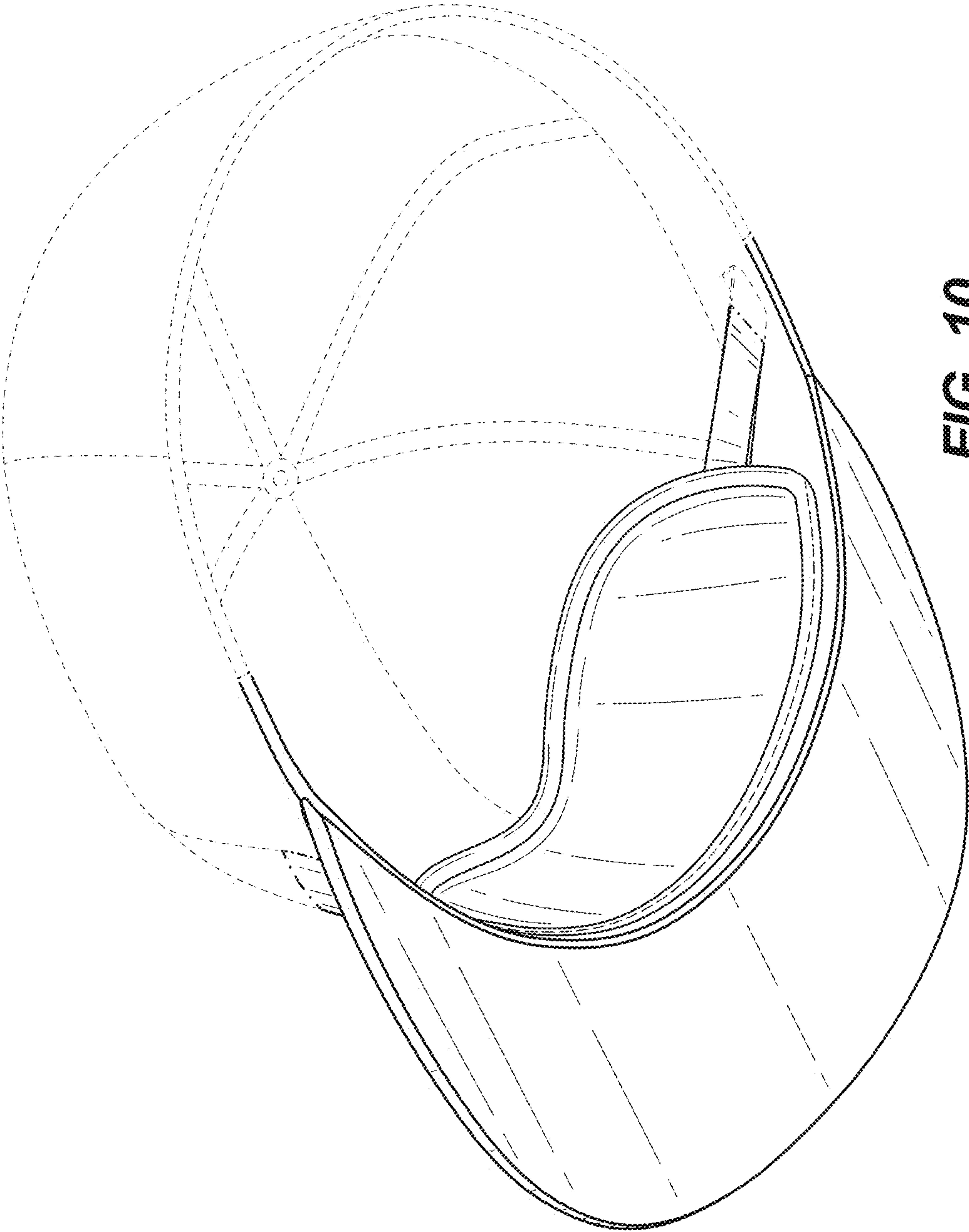
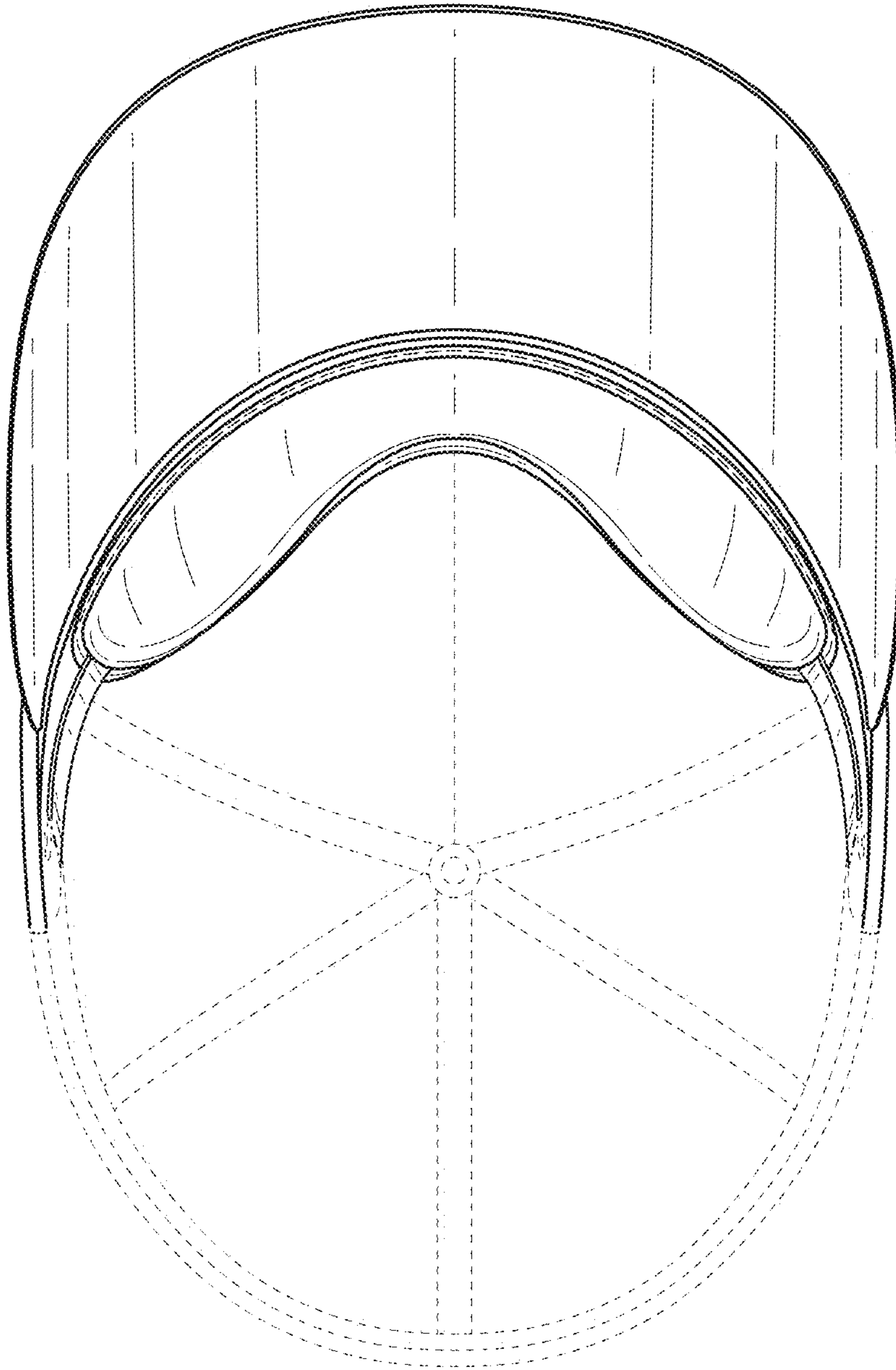


FIG. 10



**FIG. 11**