



US00D953693S

(12) **United States Design Patent**  
**Strouthopoulos**

(10) **Patent No.:** **US D953,693 S**  
(45) **Date of Patent:** **\*\* Jun. 7, 2022**

(54) **CROSS-BACK UNDERGARMENT**

(71) Applicant: **Kristina Marie Strouthopoulos**, Fort Lauderdale, FL (US)

(72) Inventor: **Kristina Marie Strouthopoulos**, Fort Lauderdale, FL (US)

(\*\*) Term: **15 Years**

(21) Appl. No.: **29/719,189**

(22) Filed: **Jan. 1, 2020**

(51) **LOC (13) Cl.** ..... **02-01**

(52) **U.S. Cl.**  
USPC ..... **D2/709**

(58) **Field of Classification Search**  
USPC ..... D2/702, 703, 706-710, 721, 723, 731, D2/737, 739  
See application file for complete search history.

(56) **References Cited**

**U.S. PATENT DOCUMENTS**

- 2,363,017 A \* 11/1944 Plehn ..... A41F 1/006 450/86
- 3,256,886 A \* 6/1966 Sachs ..... A41C 3/00 450/59
- 3,334,632 A \* 8/1967 Rashkin ..... A41F 1/006 450/77
- D358,247 S \* 5/1995 Nishiba ..... D2/709
- D433,650 S \* 11/2000 Gable ..... D11/200
- D784,654 S \* 4/2017 Arellanes ..... D2/707
- D820,555 S \* 6/2018 Hanazawa ..... D2/706
- D842,582 S \* 3/2019 Rendone ..... D2/706
- D842,583 S \* 3/2019 Flower ..... D2/708
- D842,584 S \* 3/2019 Soohoo ..... D2/708
- D907,329 S \* 1/2021 Witek ..... D2/706
- 2013/0316616 A1 \* 11/2013 Thompson ..... A41C 3/0064 450/66

(Continued)

**FOREIGN PATENT DOCUMENTS**

CN 304851287 \* 10/2018  
CN 306212462 \* 12/2020

(Continued)

**OTHER PUBLICATIONS**

London X Back Bra, available at giapenta.com, date first available Aug. 12, 2020, [online], [site visited Sep. 3, 2021], Available from the internet URL: <https://giapenta.com/products/london-x-back-bra-1#shopify-product-reviews> (Year: 2020).\*

(Continued)

*Primary Examiner* — S. Bryan Reinholdt, Jr.

*Assistant Examiner* — Jillian Mazzola

(74) *Attorney, Agent, or Firm* — Katherine Koenig; Koenig IP Works, PLLC

(57) **CLAIM**

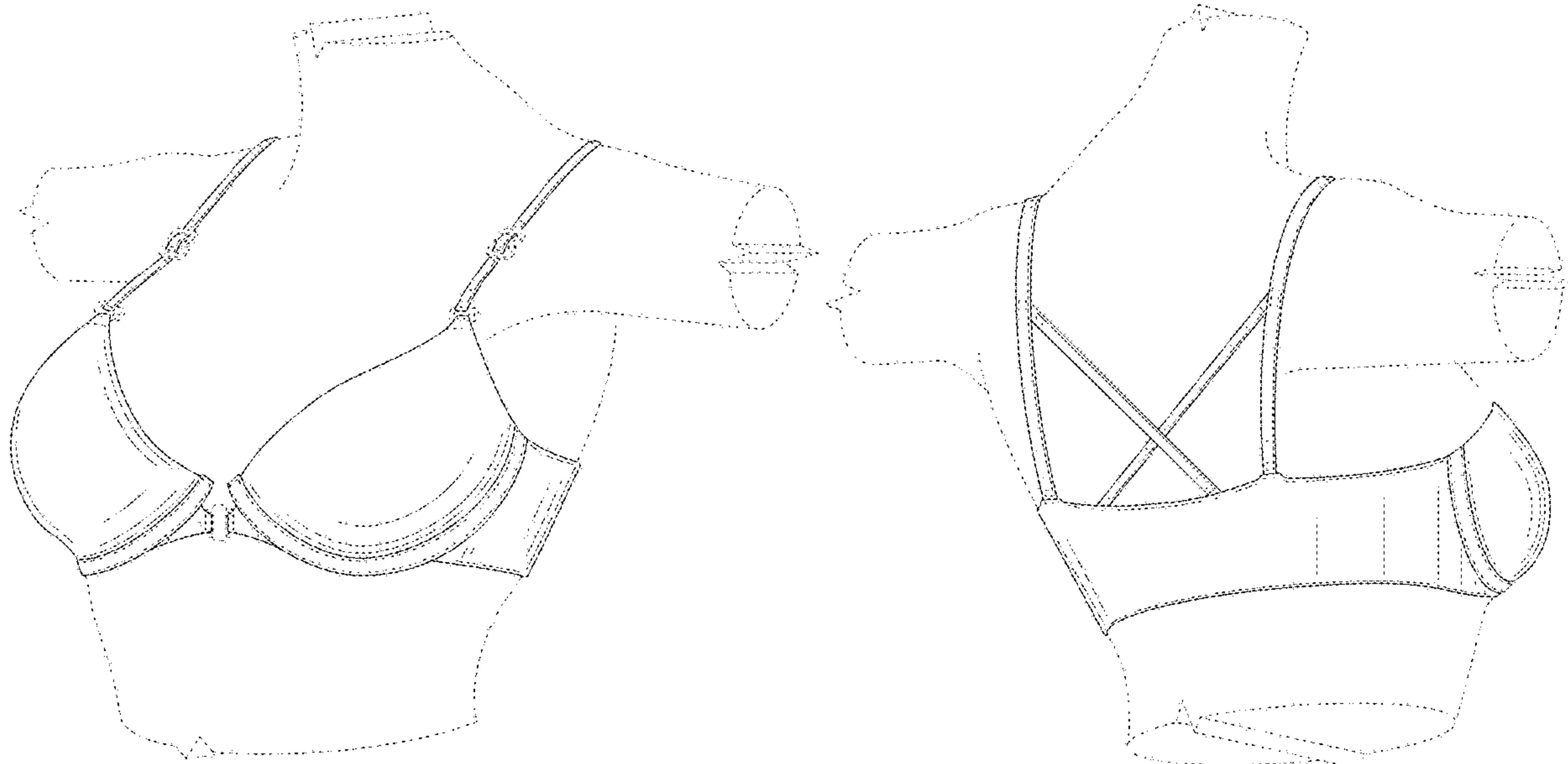
The ornamental design for an cross-back undergarment, as shown and described.

**DESCRIPTION**

FIG. 1 is a front right perspective view of a cross-back undergarment showing the new design; FIG. 2 is a rear left perspective view thereof; FIG. 3 is a front view thereof; FIG. 4 is a rear view thereof; FIG. 5 is a right side view thereof; FIG. 6 is a left side view thereof; FIG. 7 is a top view thereof; and, FIG. 8 is a bottom view thereof.

The broken lines showing the mannequin depict environment and form no part of the claimed design. All other broken lines in the figures depict portions of the cross-back undergarment that form no part of the claimed design.

**1 Claim, 8 Drawing Sheets**



(56)

**References Cited**

U.S. PATENT DOCUMENTS

2014/0106646 A1\* 4/2014 Delgado ..... A41C 3/0035  
450/89  
2016/0206015 A1\* 7/2016 Zambelli ..... A41C 3/08  
2020/0054079 A1\* 2/2020 Rutkoski ..... A41F 1/006

FOREIGN PATENT DOCUMENTS

CN	306287586	*	1/2021
CN	306287592	*	1/2021
CN	306287594	*	1/2021
CN	306489594	*	4/2021
CN	306525426	*	5/2021
CN	306600384	*	6/2021
GB	3024177	*	7/2006
JP	D1342546	*	10/2008

OTHER PUBLICATIONS

Push Up Bra with X Charm, available at [savagex.com](https://www.savagex.com), earliest review date Jun. 24, 2020, [online], [site visited Sep. 3, 2021], Available from the internet URL: [https://www.savagex.com/shop/push-up-bra-with-x-charm-ba2041973-0687-10486714?psrc=customer\\_also\\_viewed](https://www.savagex.com/shop/push-up-bra-with-x-charm-ba2041973-0687-10486714?psrc=customer_also_viewed) (Year: 2020).\*

The Curvy Strappy Sports Bra, available at [champion.com](https://www.champion.com), earliest review date 2017, [online], [site visited Sep. 3, 2021], Available from the internet URL: <https://www.champion.com/champion-the-curvy-strappy-sports-bra.html?country=US&currency=USD&D1> (Year: 2017).\*

Anj X Back Bra, available at [six30.com.au](https://www.six30.com.au), date first available Apr. 11, 2017, [online], [site visited Sep. 3, 2021], Available from the internet URL: <https://www.six30.com.au/anj-x-back-bra.html> (Year: 2017).\*

YIANNA Sports Bras, available at [amazon.com](https://www.amazon.com), date first available Dec. 27, 2016, [online], [site visited Sep. 3, 2021], Available from the internet URL: <https://www.amazon.com/YIANNA-Wirefree-Strappy-Activewear-YA-BRA139-Black-L/dp/B01N412X8L/?th=1> (Year: 2016).\*

Fashion Forms Strap Mate Bra Straps 2-Pack 2015, available at [herroom.com](https://www.herroom.com), earliest review date Feb. 2016, [online], [site visited Sep. 3, 2021], Available from the internet URL: <https://www.herroom.com/fashion-forms-2015-strap-mate-bra-straps-2-pack.shtml> (Year: 2016).\*

Yoga X Back Bra, available at [lazada.com.ph](https://www.lazada.com.ph), date not available, [online], [site visited Sep. 3, 2021], Available from the internet URL: <https://www.lazada.com.ph/products/yoga-x-back-bra-free-size-sexy-underwear-wrapped-brallete-bras-i1854462972.html>.\*

\* cited by examiner

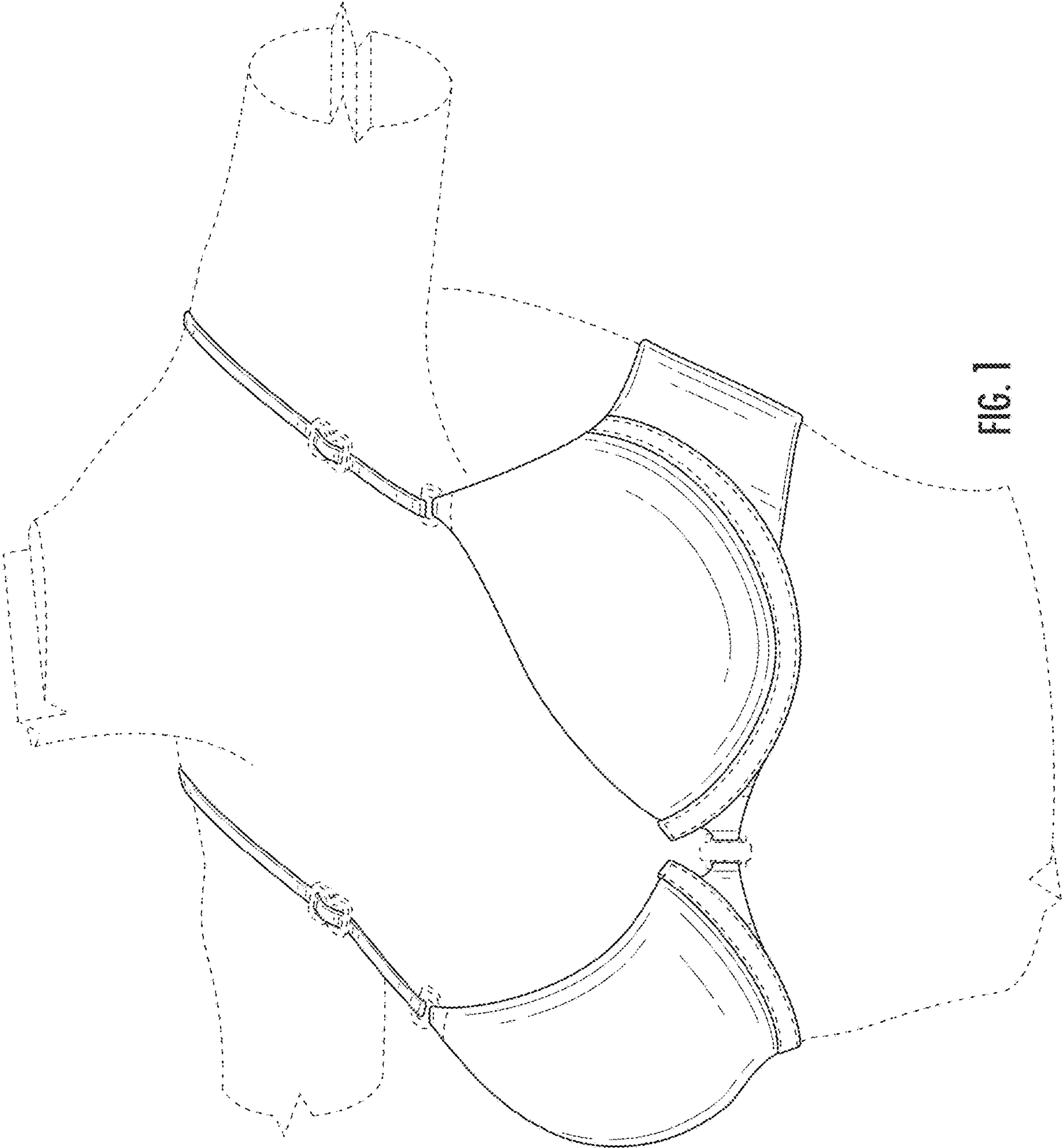
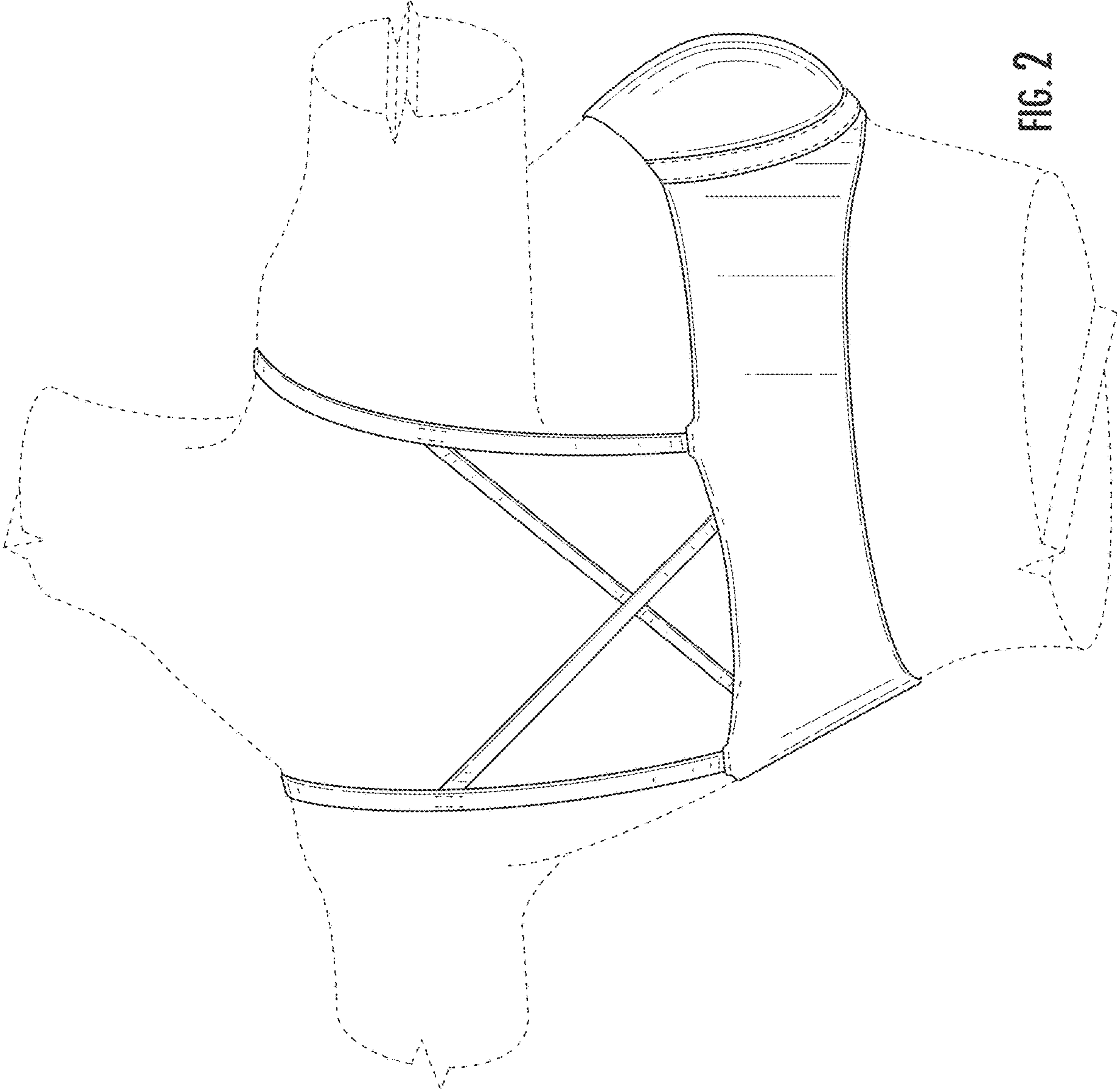


FIG. 1





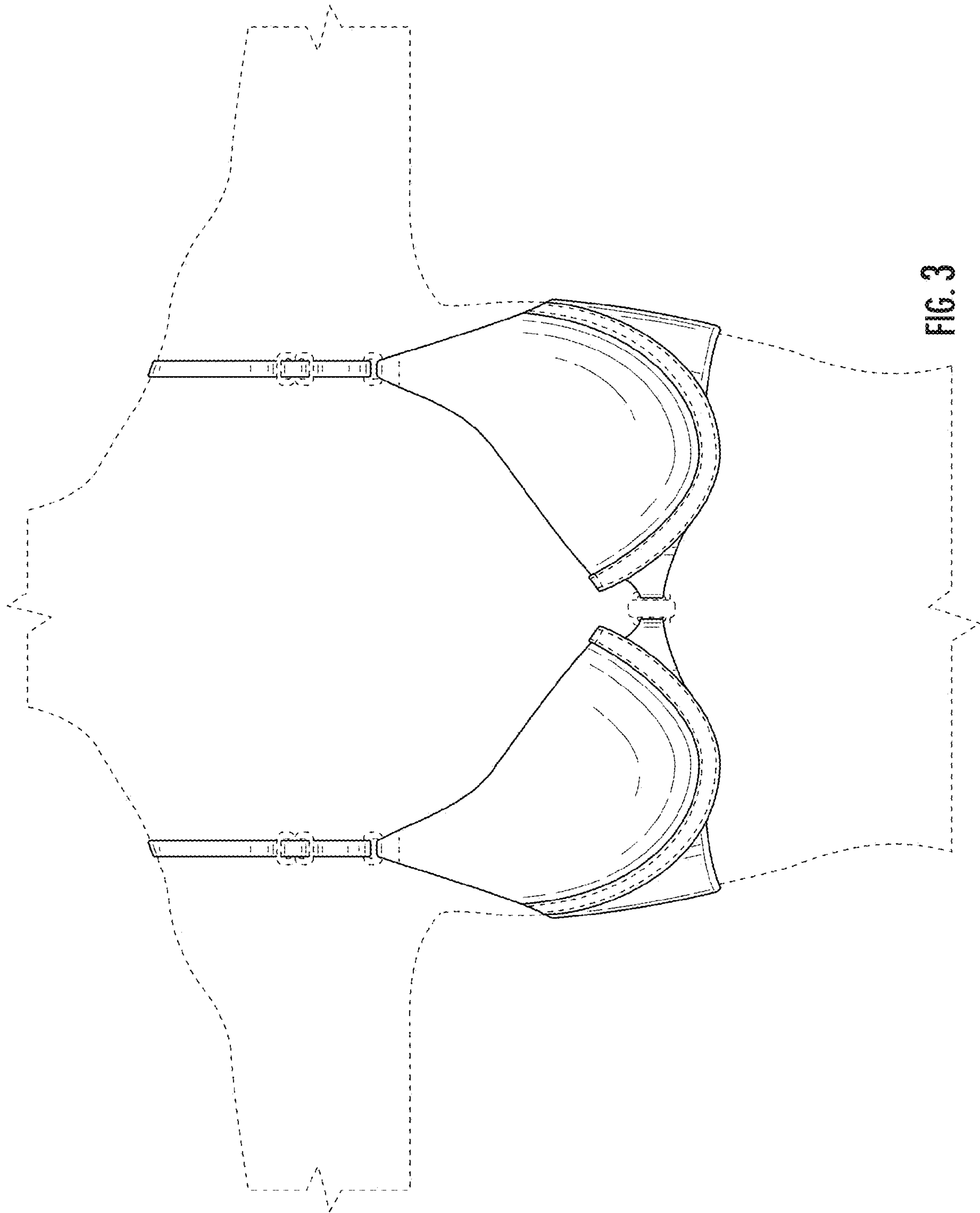


FIG. 3

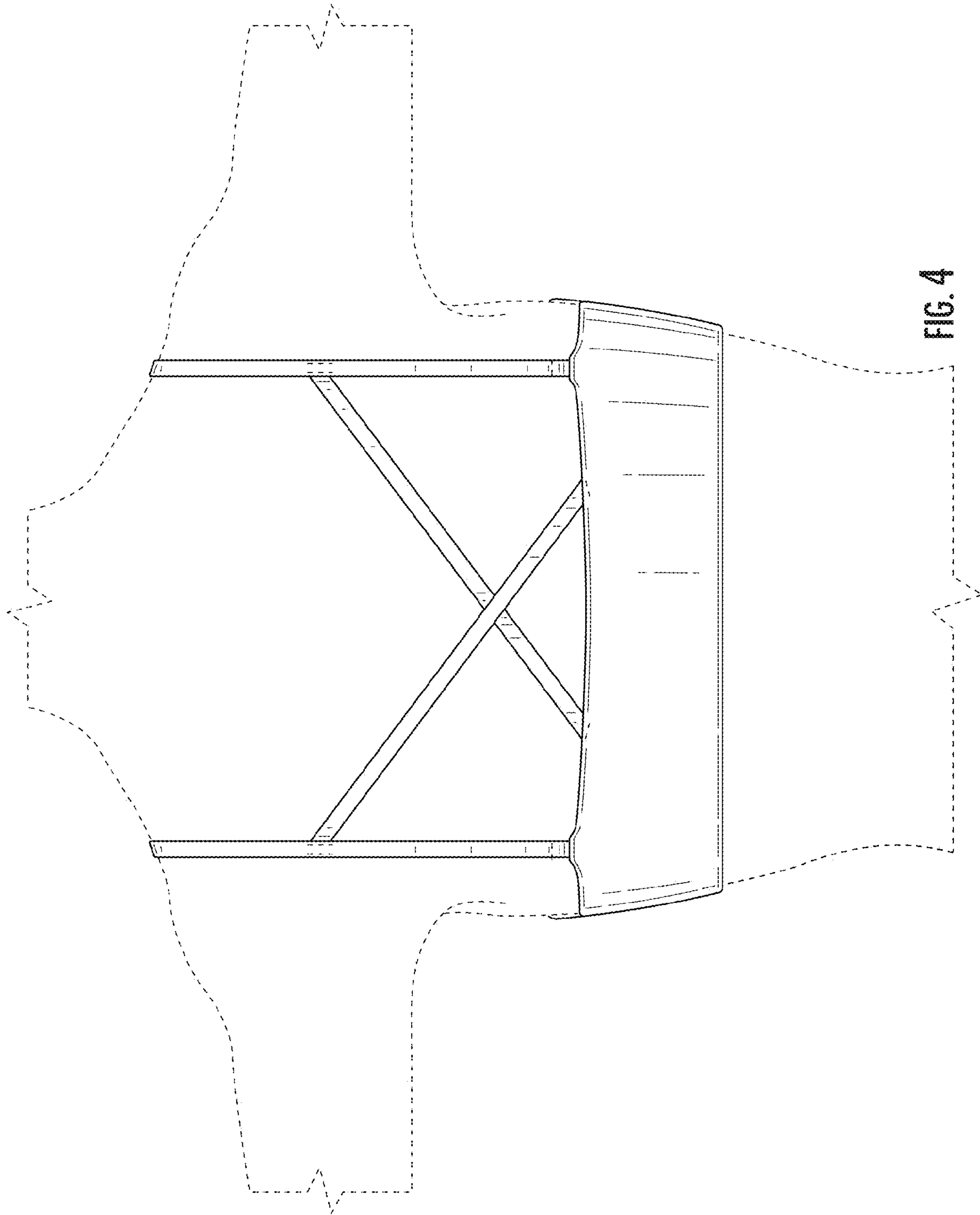


FIG. 4

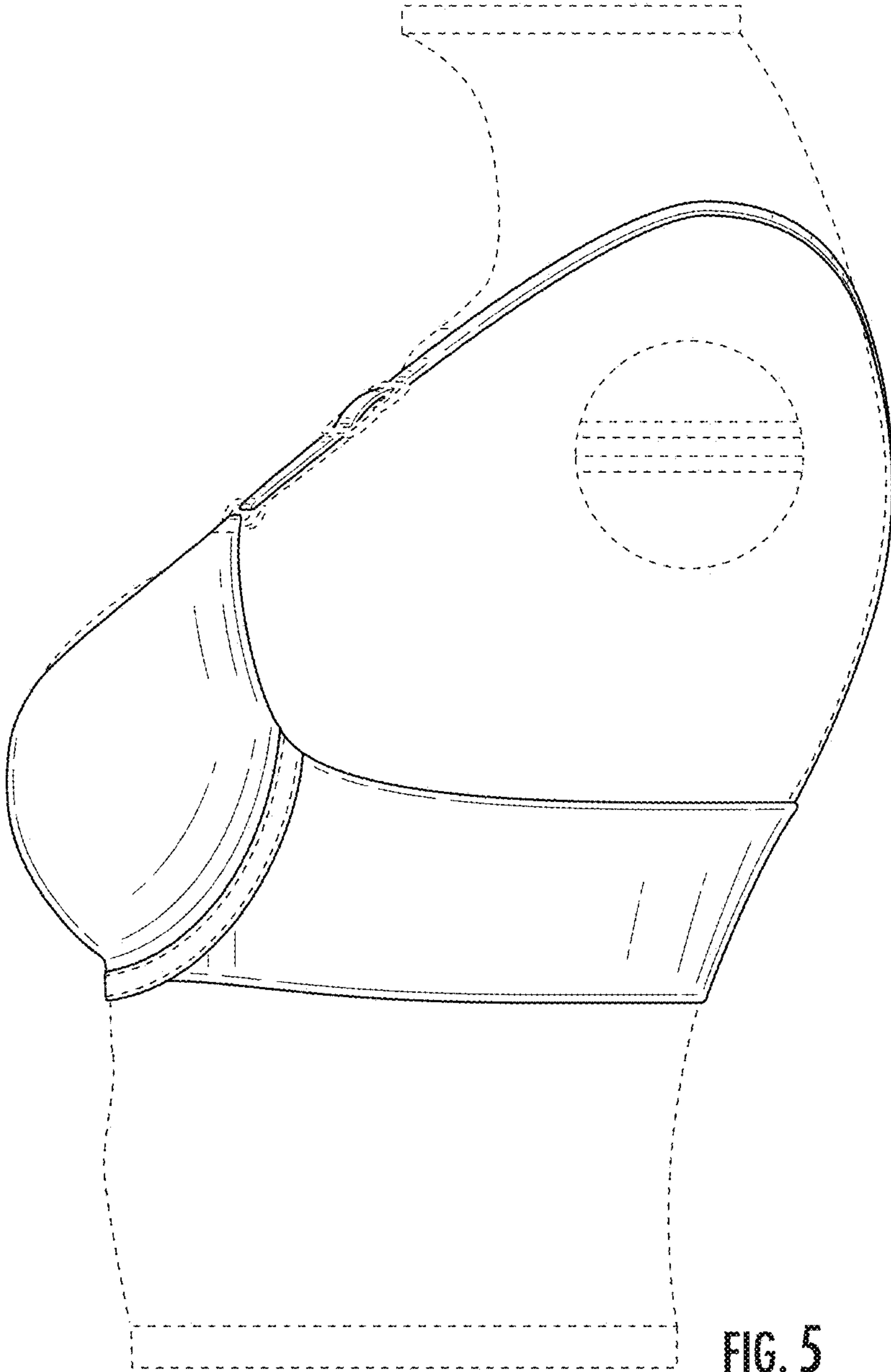


FIG. 5

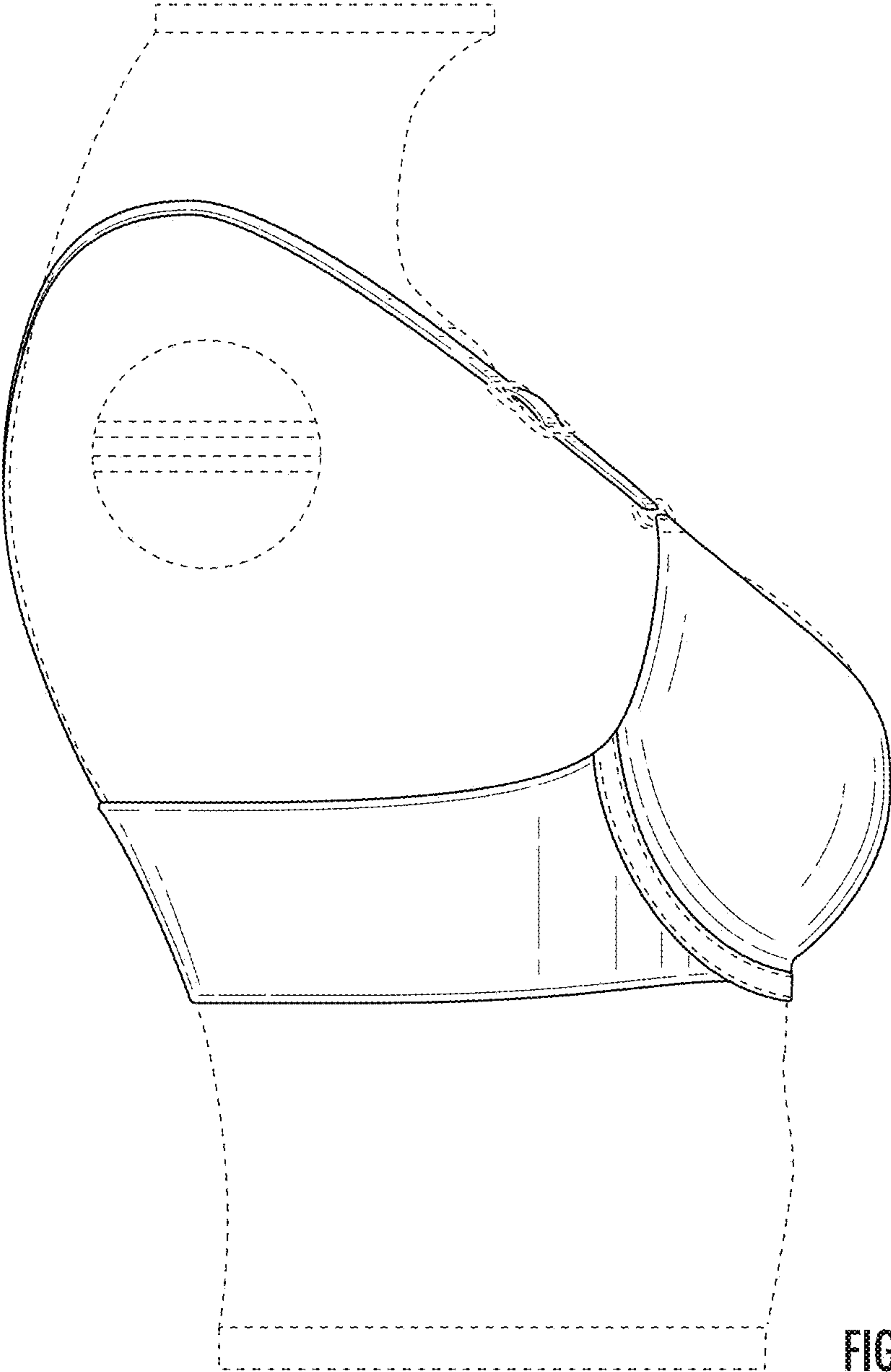


FIG. 6



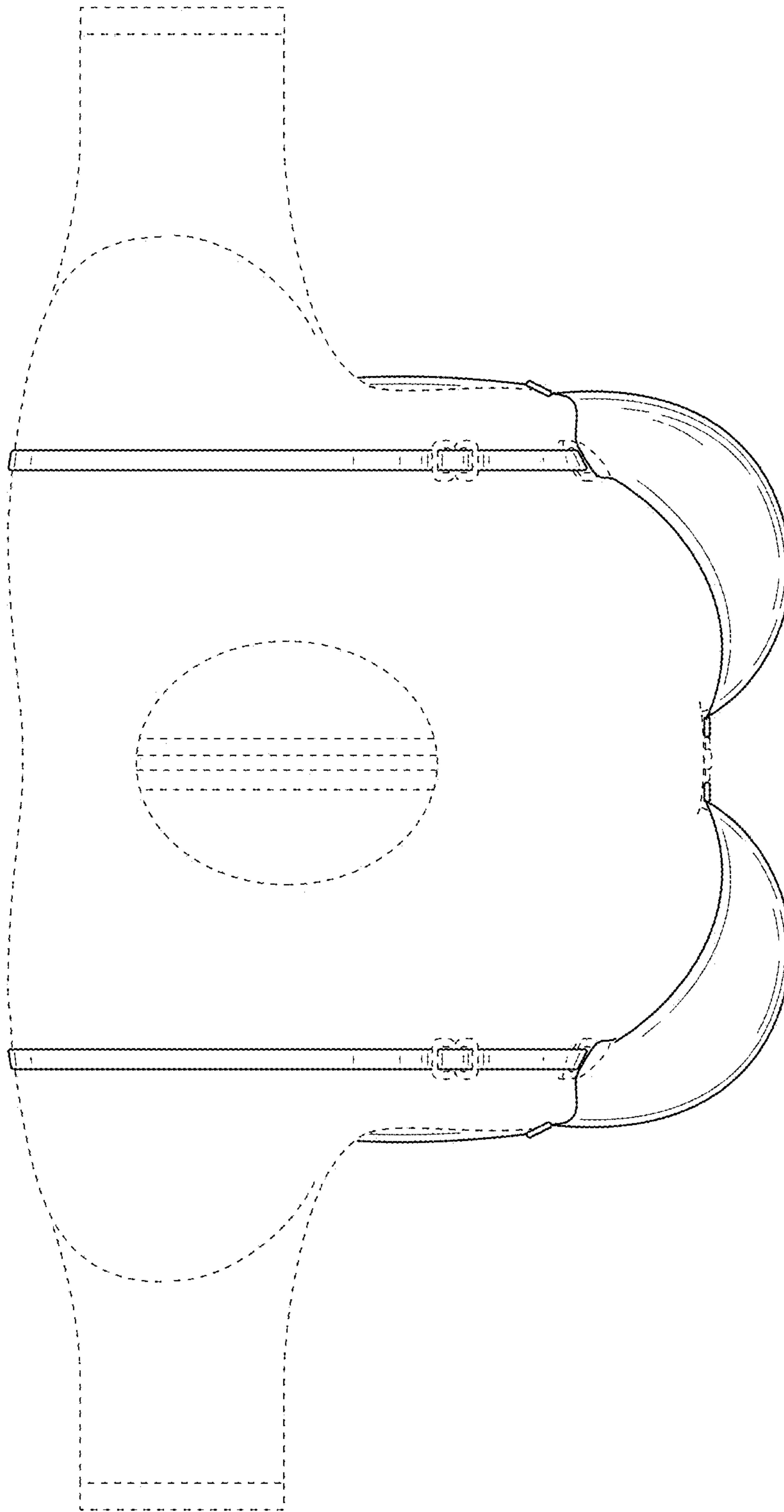


FIG. 7

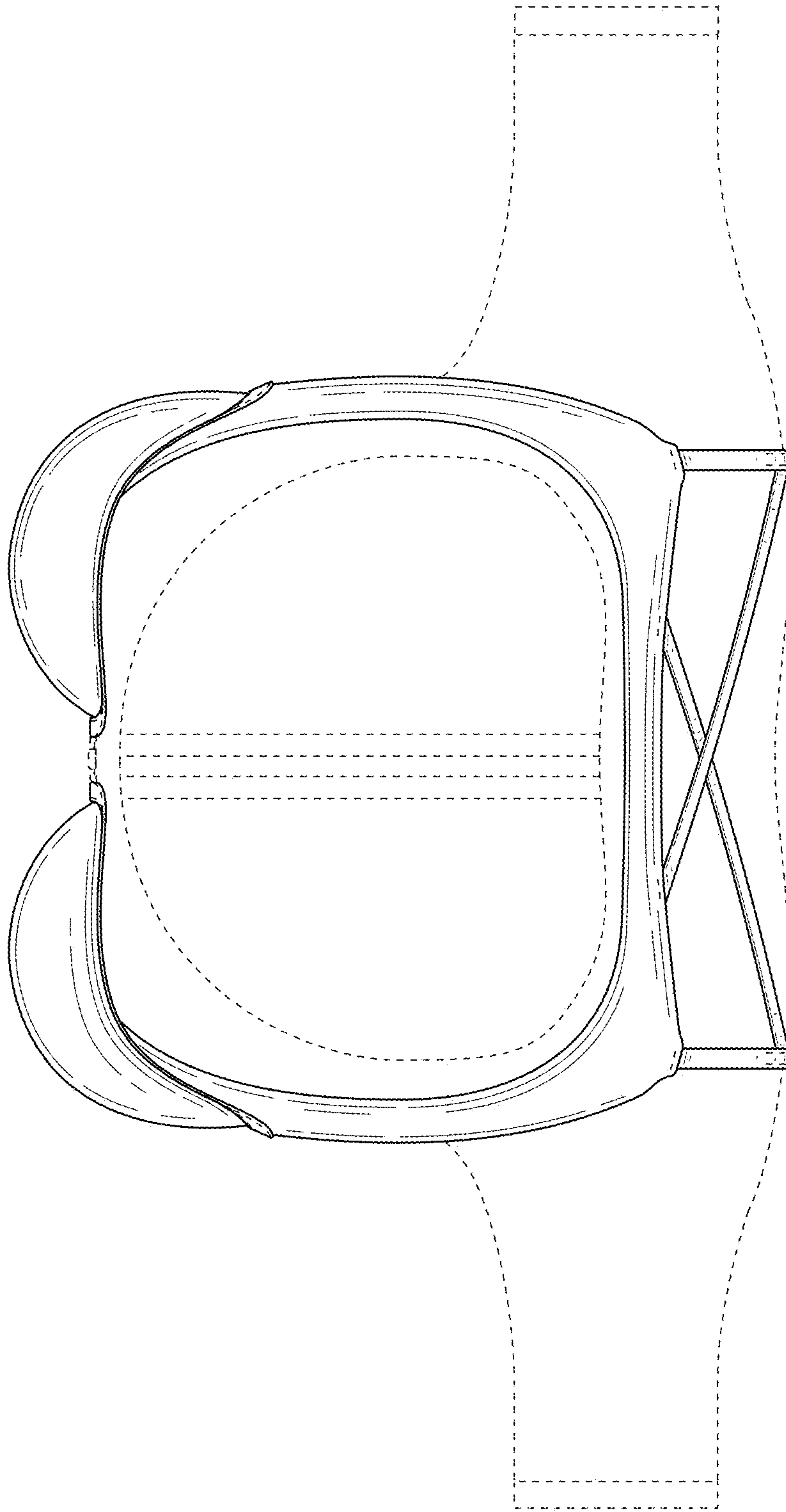


FIG. 8