



(12) **United States Design Patent**
Hanyu et al.

(10) **Patent No.:** **US D953,690 S**
(45) **Date of Patent:** **** Jun. 7, 2022**

(54) **SOLID FOOD**
(71) Applicant: **MEIJI CO., LTD.**, Tokyo (JP)
(72) Inventors: **Keigo Hanyu**, Tokyo (JP); **Aya Kato**, Tokyo (JP); **Shunsuke Sasajima**, Tokyo (JP)
(73) Assignee: **MEIJI CO., LTD.**, Tokyo (JP)
(**) Term: **15 Years**
(21) Appl. No.: **29/753,261**
(22) Filed: **Sep. 30, 2020**

(30) **Foreign Application Priority Data**
Apr. 1, 2020 (JP) 2020-006546
Apr. 1, 2020 (JP) 2020-006547
Apr. 1, 2020 (JP) 2020-006557
Apr. 1, 2020 (JP) 2020-006564
Apr. 1, 2020 (JP) 2020-006566

(51) **LOC (13) Cl.** **01-01**
(52) **U.S. Cl.**

USPC **D1/120**; D1/124
(58) **Field of Classification Search**
USPC D1/100-130, 199; 426/5, 76, 87, 92, 94, 426/95, 99, 101, 103, 108, 138-139, 143, 426/144, 279, 282, 283, 391, 514, 549, 426/660, 72, 582; D13/100; D24/101-104; D28/8.1; 424/438, 440, 424/464, 470-472; 425/195; 34/296; D6/601; D10/108
CPC B26D 3/11; A47J 37/043; A47J 37/049; A47J 43/18; A22C 17/006; A22C 13/0013; A23L 1/164; A23L 1/005; A23B 4/10; B65D 81/343
See application file for complete search history.

(56) **References Cited**
U.S. PATENT DOCUMENTS
D91,644 S * 3/1934 Blackstone D24/101
D129,741 S * 9/1941 Clark D7/552.2

2,386,416 A * 10/1945 Wilhelm B65D 75/28
206/539
D180,321 S * 5/1957 Dome D28/8.1
D311,115 S * 10/1990 Abraham D7/708
4,963,379 A * 10/1990 Ferrero A23G 1/54
426/103
D487,673 S * 3/2004 Mishan D7/553.4
D515,941 S * 2/2006 Hamblin D24/230
(Continued)

FOREIGN PATENT DOCUMENTS

EM 005946738-0003 3/2019

OTHER PUBLICATIONS

Office Action dated Jul. 6, 2021 in Taiwanese Design Application No. 109305517, with English translation.

Primary Examiner — Katie Jane Stofko
(74) *Attorney, Agent, or Firm* — Wenderoth, Lind & Ponack, L.L.P.

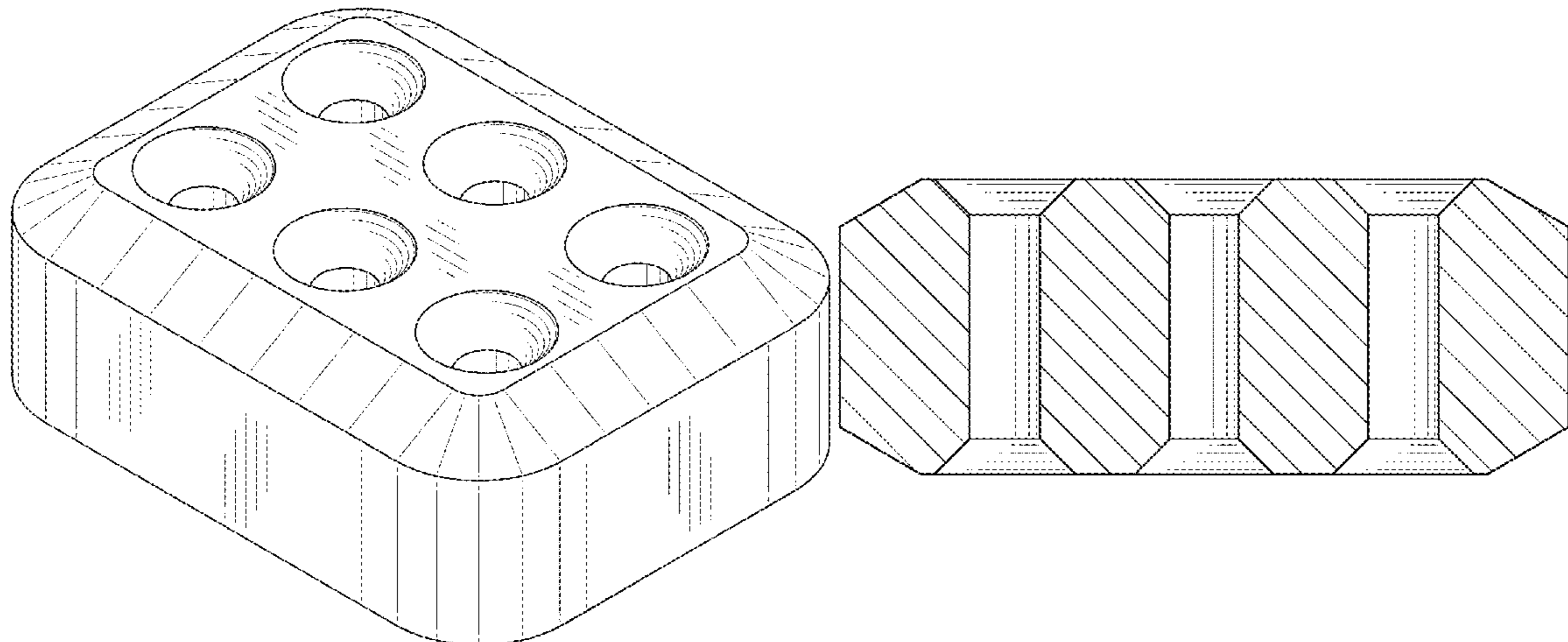
(57) **CLAIM**

The ornamental design for a solid food, as shown and described.

DESCRIPTION

FIG. 1 is a front, bottom and right side perspective view of a solid food;
FIG. 2 is a front elevation view thereof, the rear elevation view being identical thereto;
FIG. 3 is a top plan view thereof, the bottom plan view being identical thereto;
FIG. 4 is a left side elevation view thereof, the right side elevation view being identical thereto;
FIG. 5 is a cross-sectional view thereof, taken along line 5-5 in FIG. 2; and,
FIG. 6 is a cross-sectional view thereof, taken along line 6-6 in FIG. 2.

1 Claim, 6 Drawing Sheets



(56)

References Cited

U.S. PATENT DOCUMENTS

D610,674 S	*	2/2010	Karolak	D24/101
D705,618 S	*	5/2014	Reid, Jr.	D7/701
D924,803 S	*	7/2021	Hartmann	D13/119
D924,804 S	*	7/2021	Hartmann	D13/119

* cited by examiner

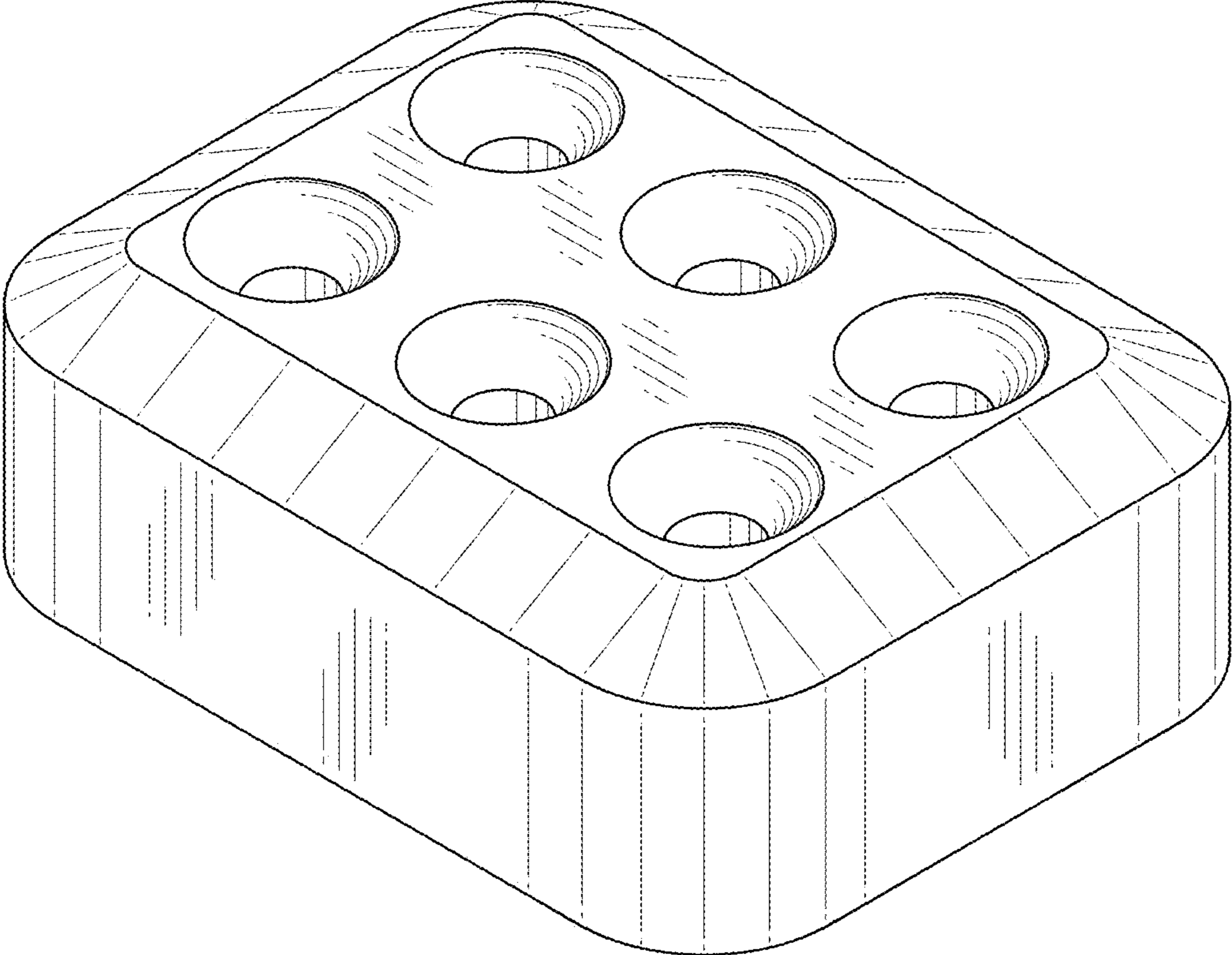


FIG. 1

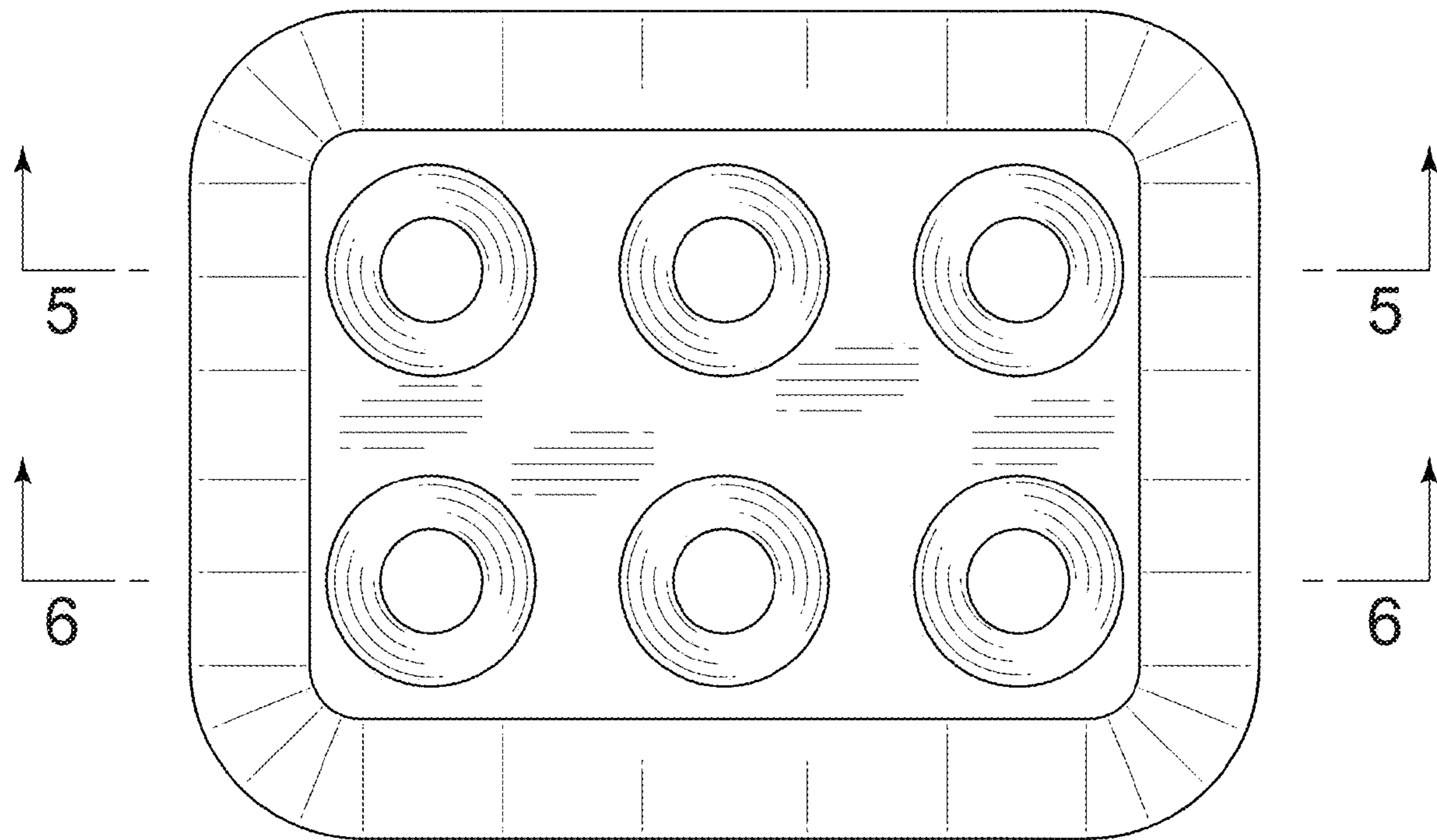


FIG. 2

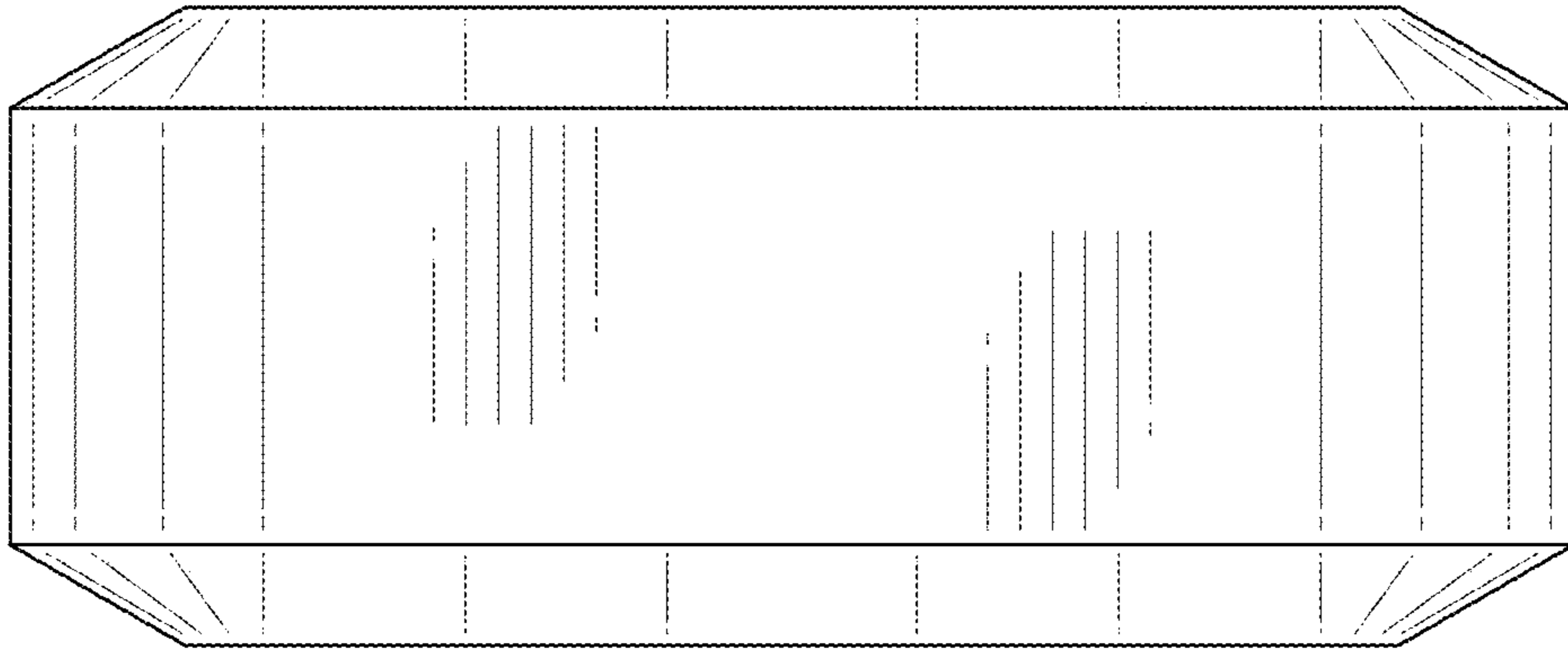


FIG. 3

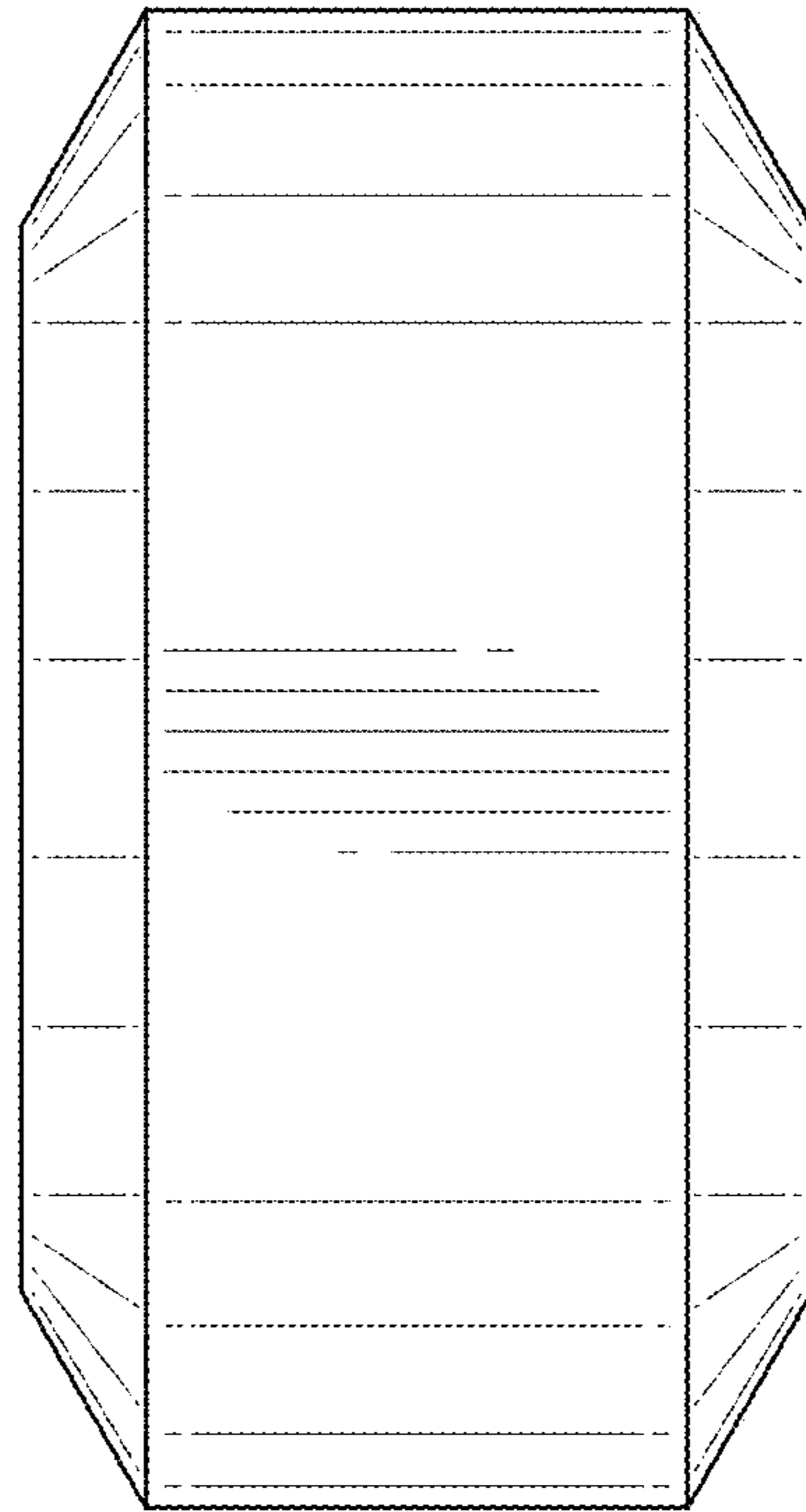


FIG. 4

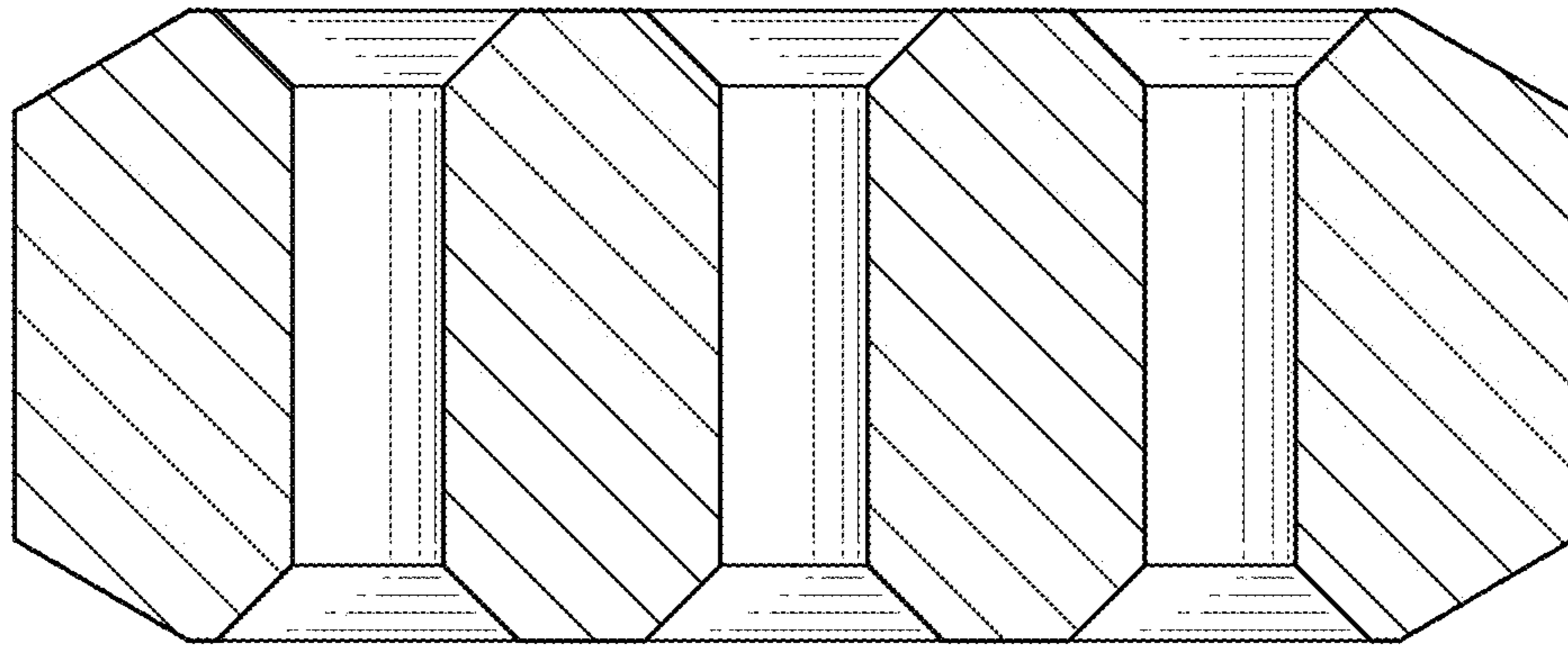


FIG. 5

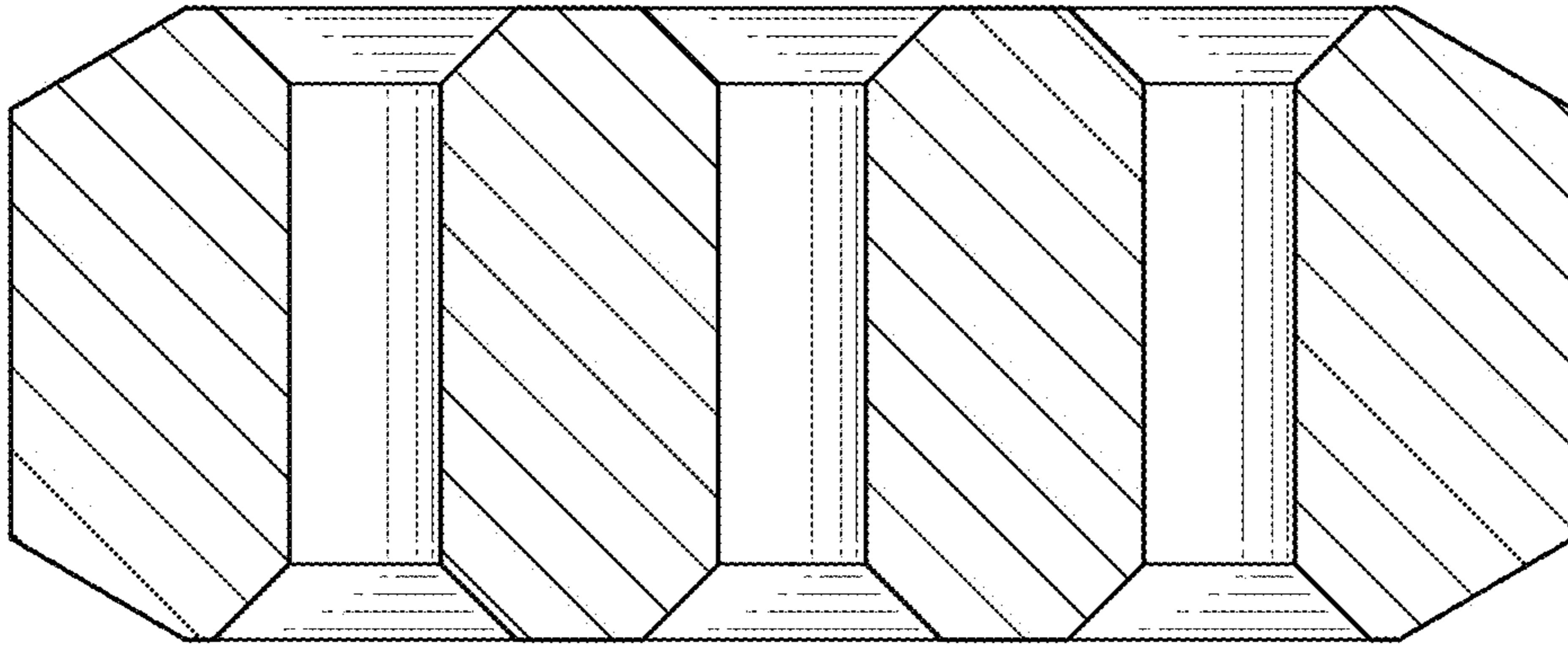


FIG. 6