



US00D953688S

(12) **United States Design Patent**  
**Block et al.**

(10) **Patent No.:** **US D953,688 S**

(45) **Date of Patent:** **\*\* Jun. 7, 2022**

(54) **HOUSE SHAPED PASTRY**

(71) Applicants: **Chuck Block**, San Diego, CA (US);  
**Dan Blanchard**, San Diego, CA (US)

(72) Inventors: **Chuck Block**, San Diego, CA (US);  
**Dan Blanchard**, San Diego, CA (US)

(\*\*) Term: **15 Years**

(21) Appl. No.: **29/771,662**

(22) Filed: **Feb. 24, 2021**

(51) **LOC (13) Cl.** ..... **01-01**

(52) **U.S. Cl.**  
USPC ..... **D1/106; D1/129**

(58) **Field of Classification Search**  
USPC .... D1/100–130, 199; 426/5, 76, 87, 92, 94,  
426/95, 99, 101, 103, 108, 138–139, 143,  
426/144, 279, 282, 283, 391, 514, 549,  
426/660; D21/478–480, 483, 484,  
D21/490–494, 501, 502, 506, 508, 509,  
D21/511; D30/110, 112; D25/33, 59;  
D9/416, 636; 446/108, 114, 124  
CPC .... A63H 33/06; A63H 33/067; A63H 33/084;  
A63H 33/04; A63H 33/088; A63H 33/08;  
A63F 9/12

See application file for complete search history.

(56) **References Cited**

**U.S. PATENT DOCUMENTS**

1,562,006	A *	11/1925	Sichterman	.....	A63H 33/084	446/106
1,894,061	A *	1/1933	Sanders	.....	A63H 33/084	446/114
2,278,327	A *	3/1942	Magnus	.....	A63H 33/108	446/124
D172,786	S *	8/1954	Eitemiller	.....	D21/479	
D224,029	S *	6/1972	Gale	.....	D21/826	
D251,265	S *	3/1979	Shorten	.....	D21/511	
4,431,395	A *	2/1984	Babos	.....	A21B 3/13	249/133

D285,587	S *	9/1986	Murdough, Jr.	.....	D21/491	
5,215,490	A *	6/1993	Szoradi	.....	A63H 33/08	446/115
5,273,477	A *	12/1993	Adams, Jr.	.....	A63H 33/08	446/108
5,871,212	A *	2/1999	Lee	.....	A63F 3/02	273/283

(Continued)

*Primary Examiner* — Katie Jane Stofko

(74) *Attorney, Agent, or Firm* — Donn K. Harms

(57) **CLAIM**

An ornamental design for a house shaped pastry, as shown and described.

**DESCRIPTION**

FIG. 1 is a front elevation view of the front component of a house shaped pastry, the rear elevation view of the rear component being a mirror image thereof;

FIG. 2 is a perspective view of the front component, the perspective view of the rear component being identical thereto;

FIG. 3 is a right side elevation view of a right component of the house shaped pastry, the left side elevation view of the left component being identical thereto;

FIG. 4 is a perspective view of the right component of FIG. 3, the perspective view of the left component being identical thereto;

FIG. 5 is a top plan view of a top component of the house shaped pastry;

FIG. 6 is a perspective view of the top component of FIG. 5;

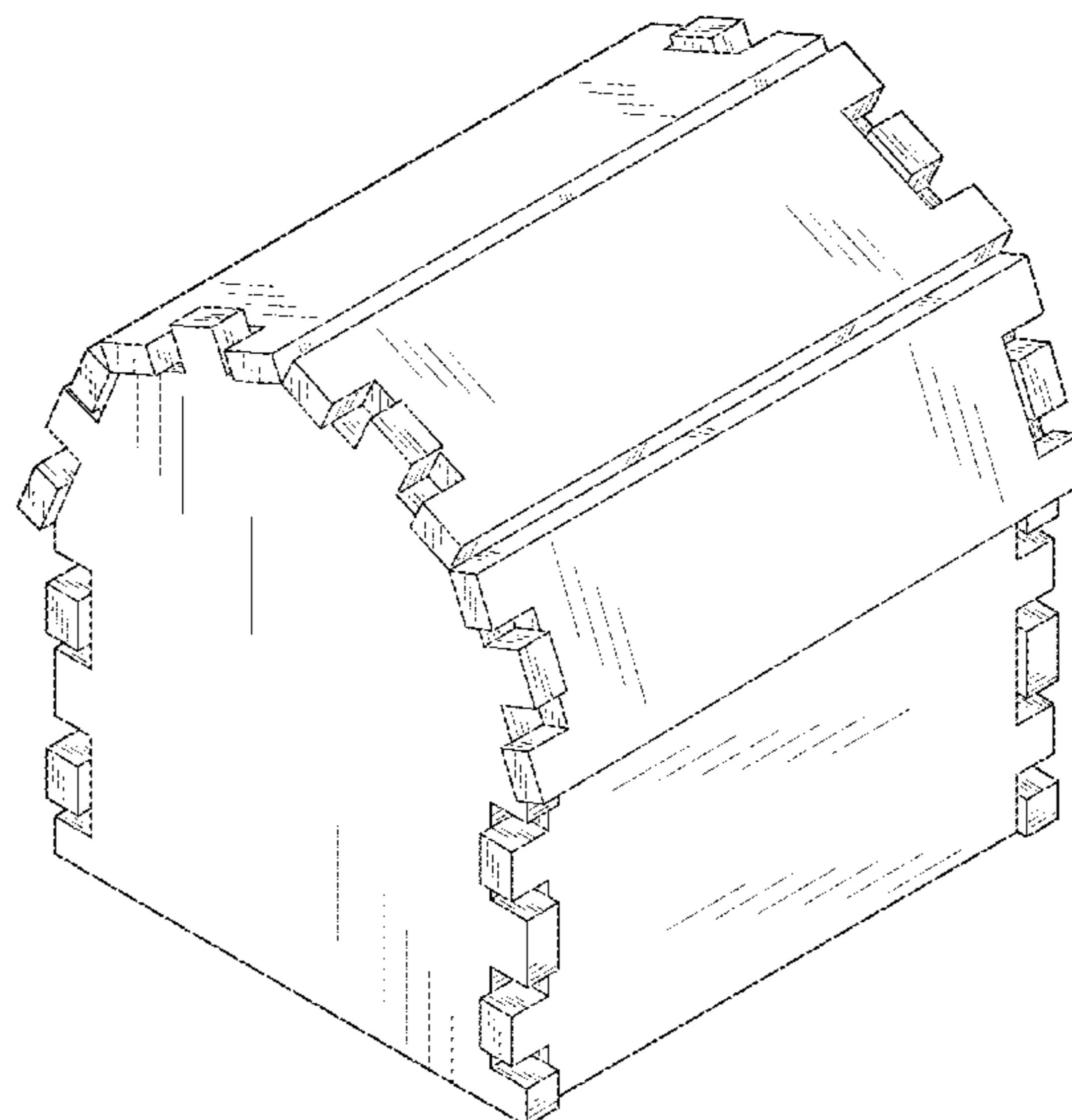
FIG. 7 is a front elevation view of the assembled house shaped pastry;

FIG. 8 is a right side elevation view thereof, the left side elevation view being identical thereto;

FIG. 9 is a top plan view thereof; and,

FIG. 10 is a front, top, right side perspective view thereof.

**1 Claim, 6 Drawing Sheets**



(56)

**References Cited**

U.S. PATENT DOCUMENTS

7,210,920 B2 \* 5/2007 Kolz ..... A21C 3/021  
206/575  
D699,793 S \* 2/2014 Gomez ..... D21/511  
D712,707 S \* 9/2014 Altounian ..... D7/675  
D792,675 S \* 7/2017 Block ..... D1/106  
D855,898 S \* 8/2019 Koskey, Jr. .... D30/108  
D867,716 S \* 11/2019 Block ..... D1/106  
D939,783 S \* 12/2021 Zou ..... D30/108  
2004/0142063 A1 \* 7/2004 Kolz ..... A21C 3/021  
425/298

\* cited by examiner

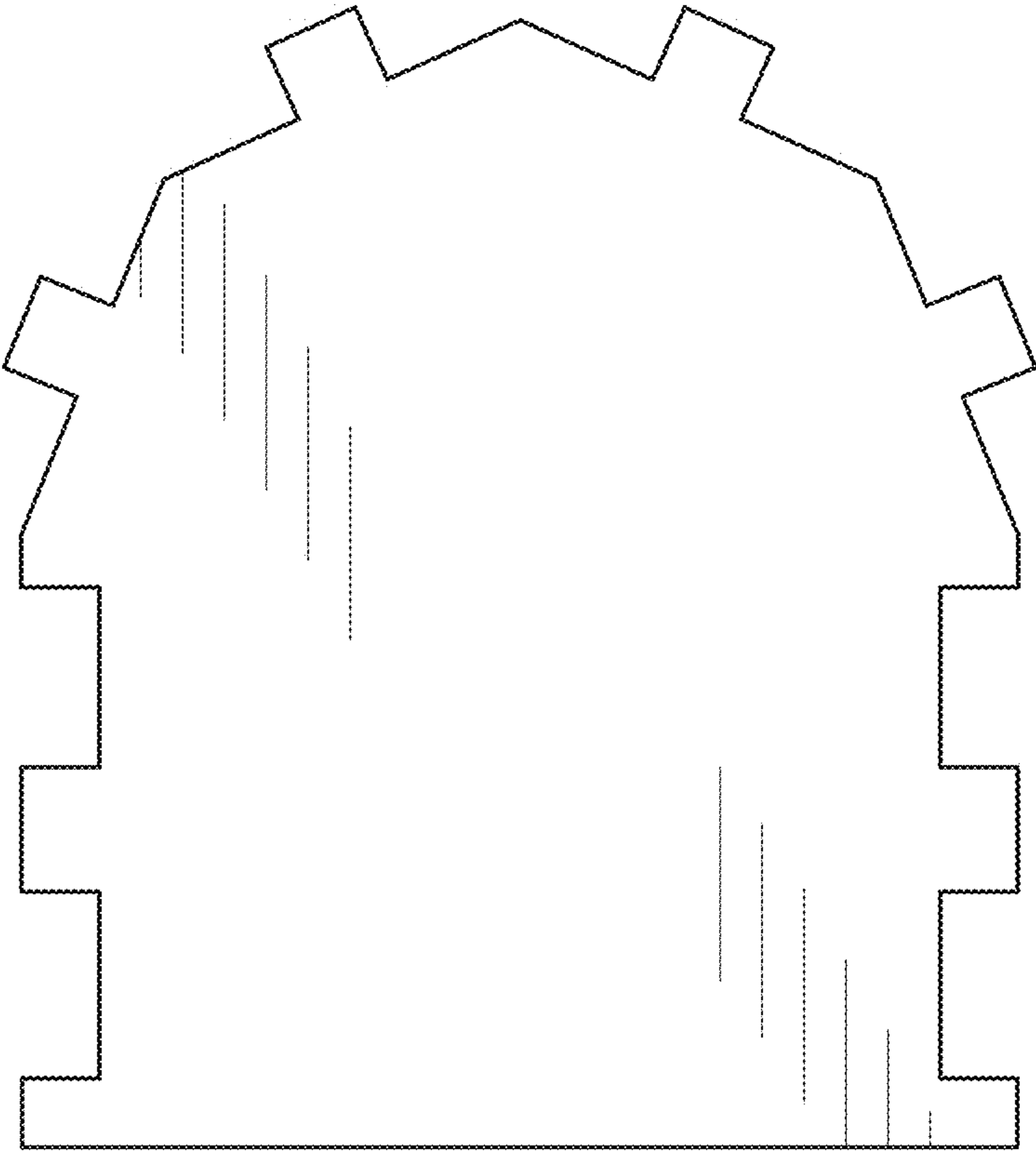


FIG. 1

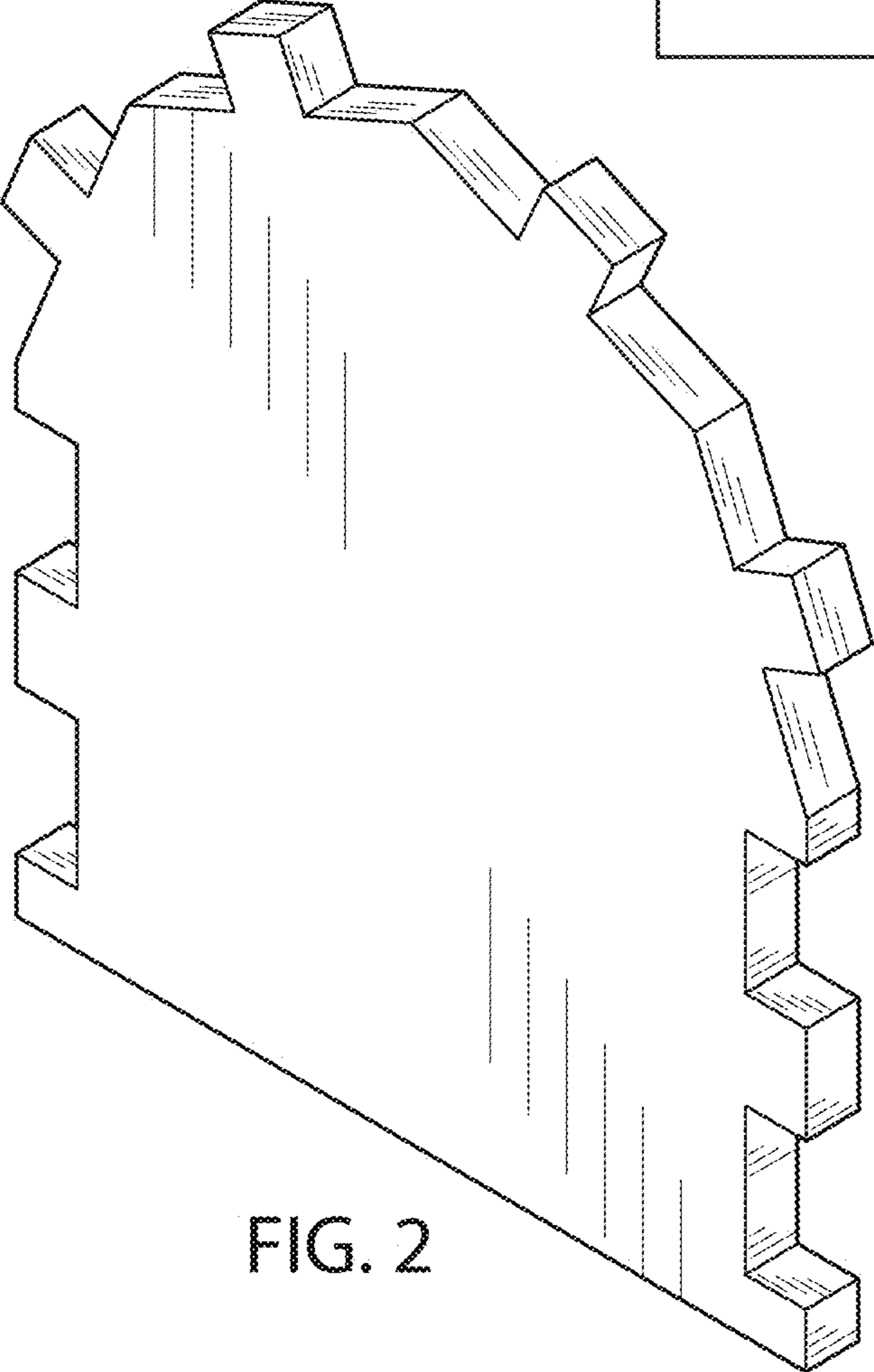


FIG. 2

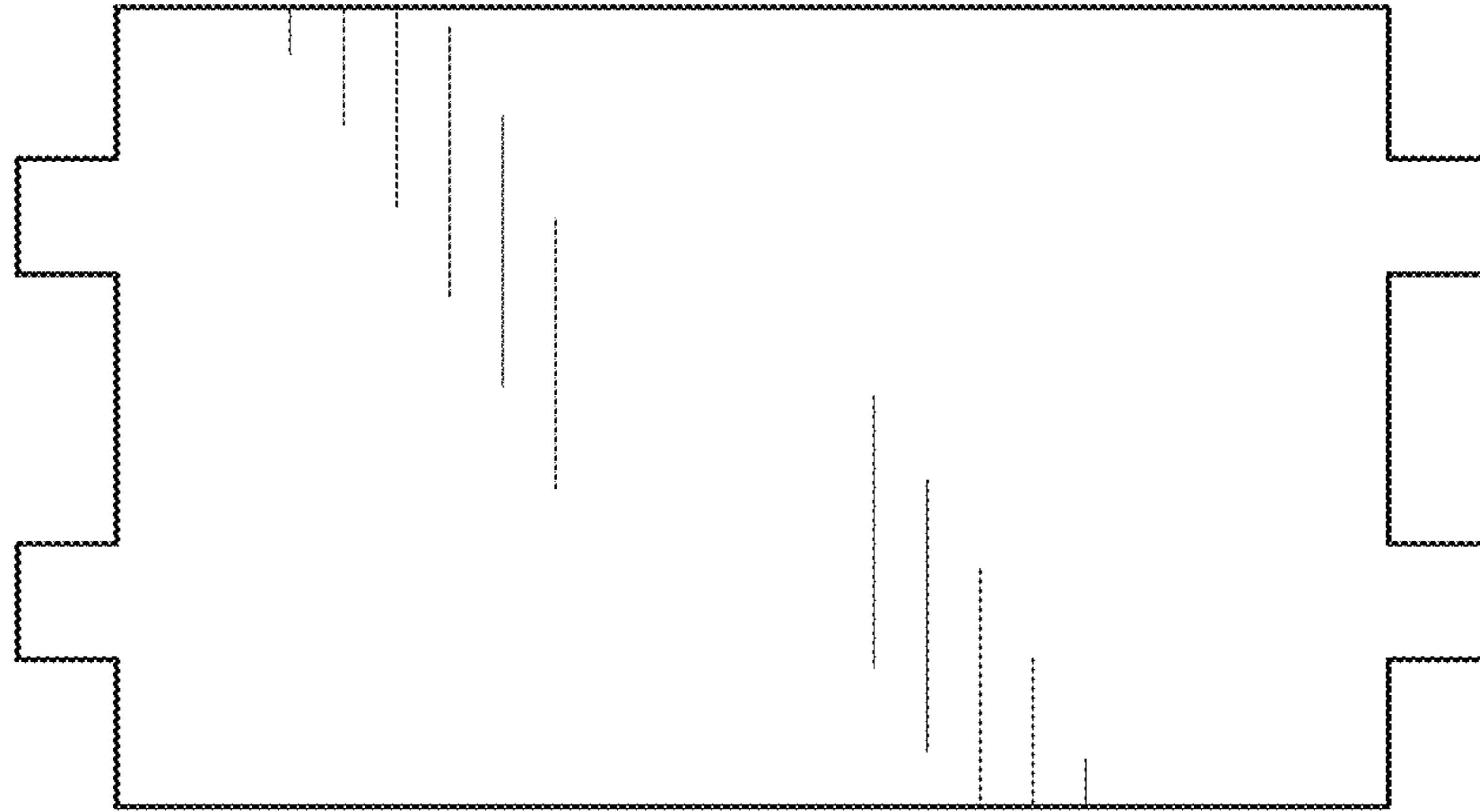


FIG. 3

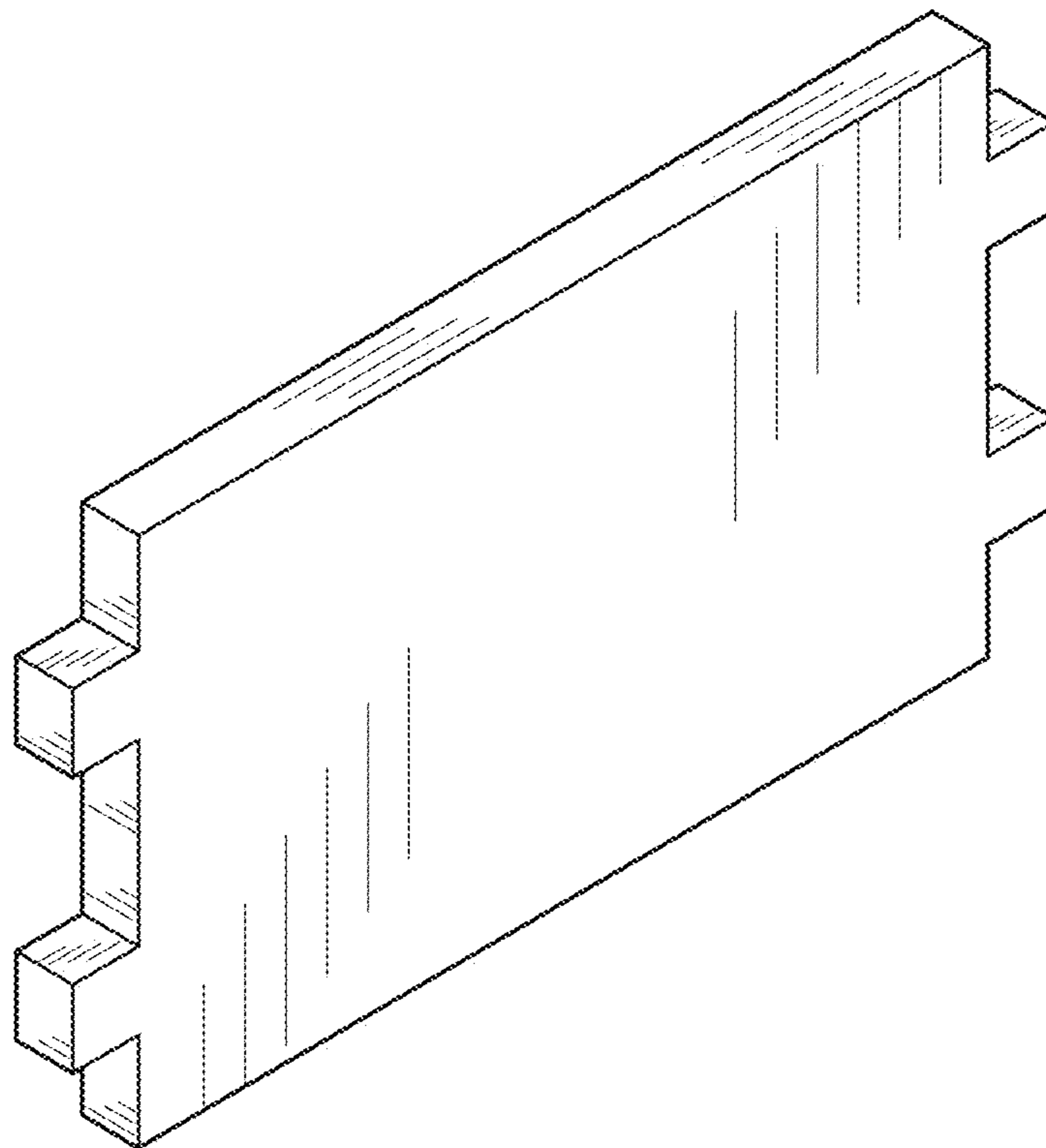


FIG. 4

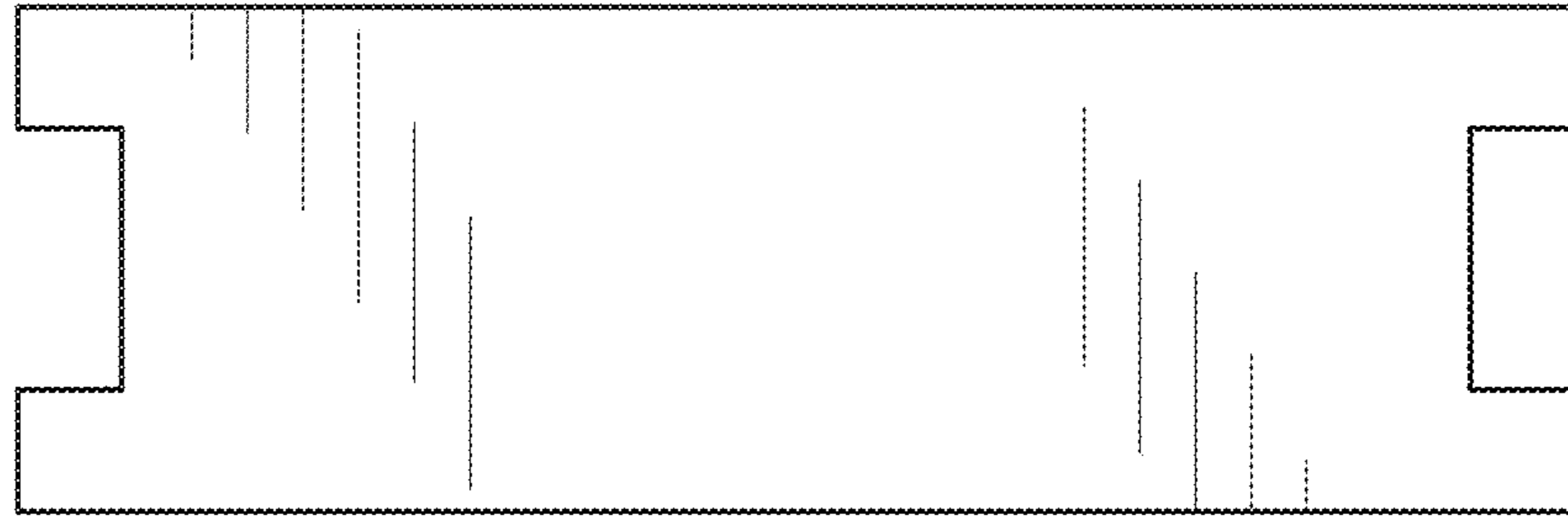


FIG. 5

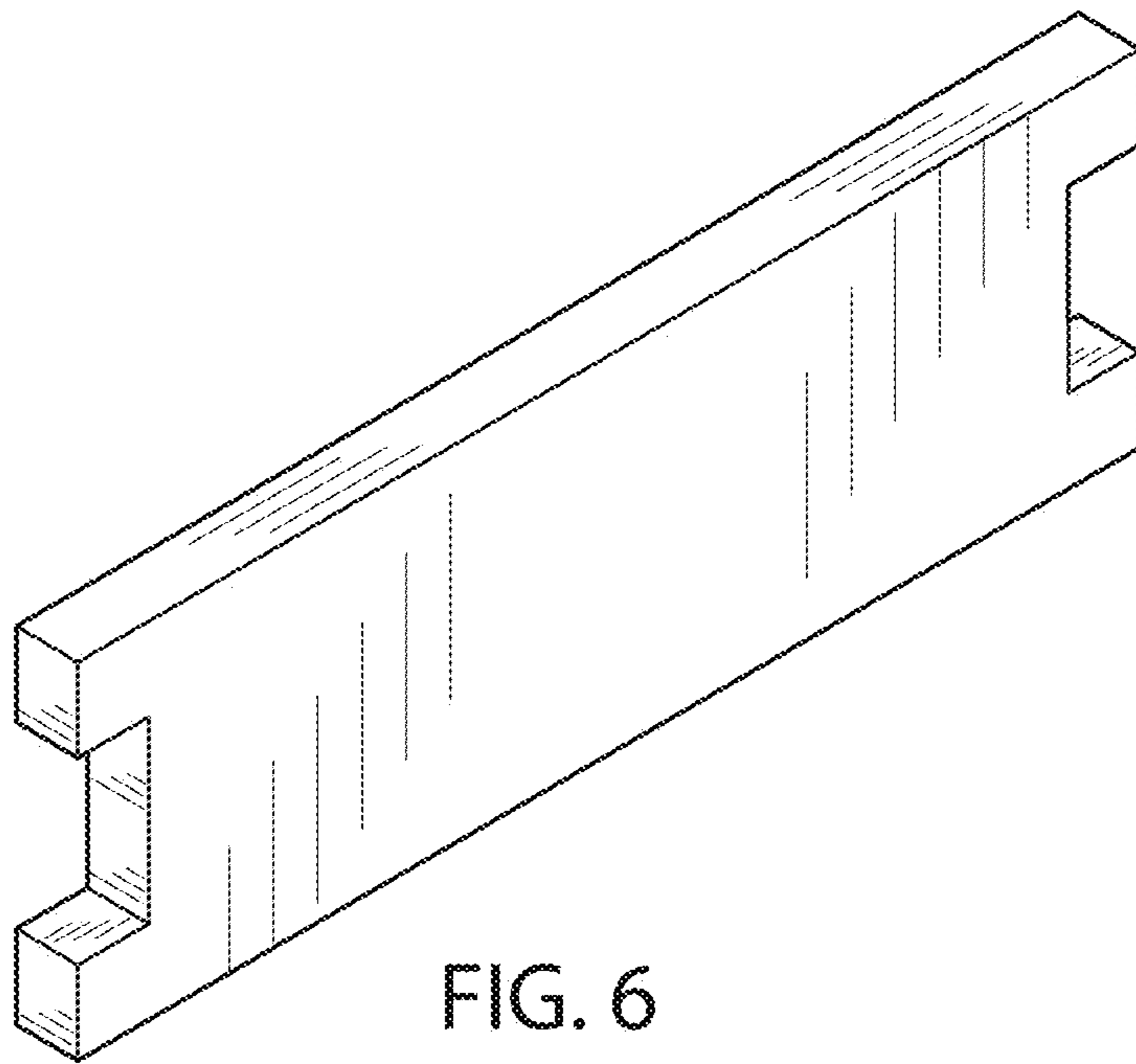


FIG. 6



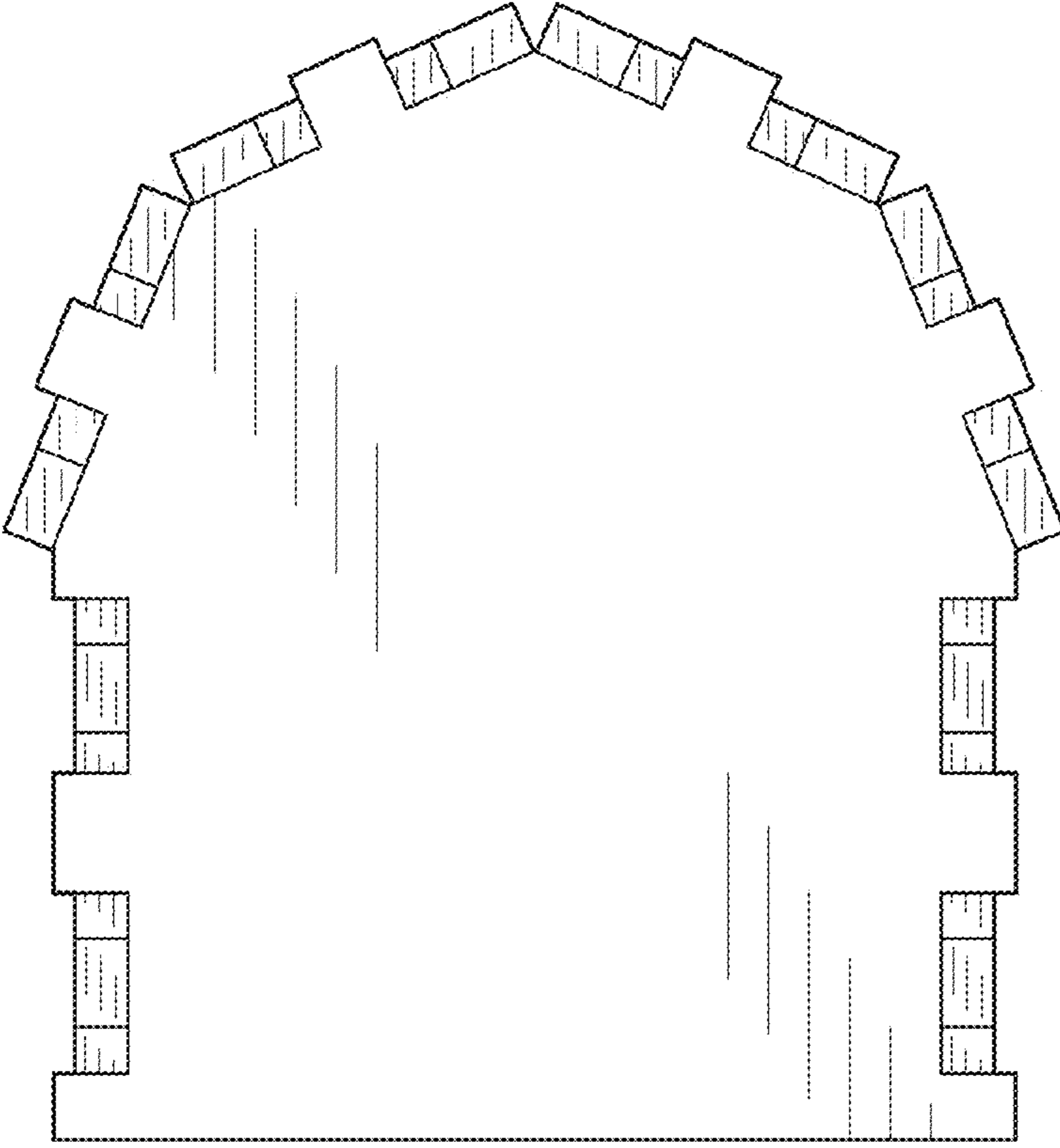


FIG. 7

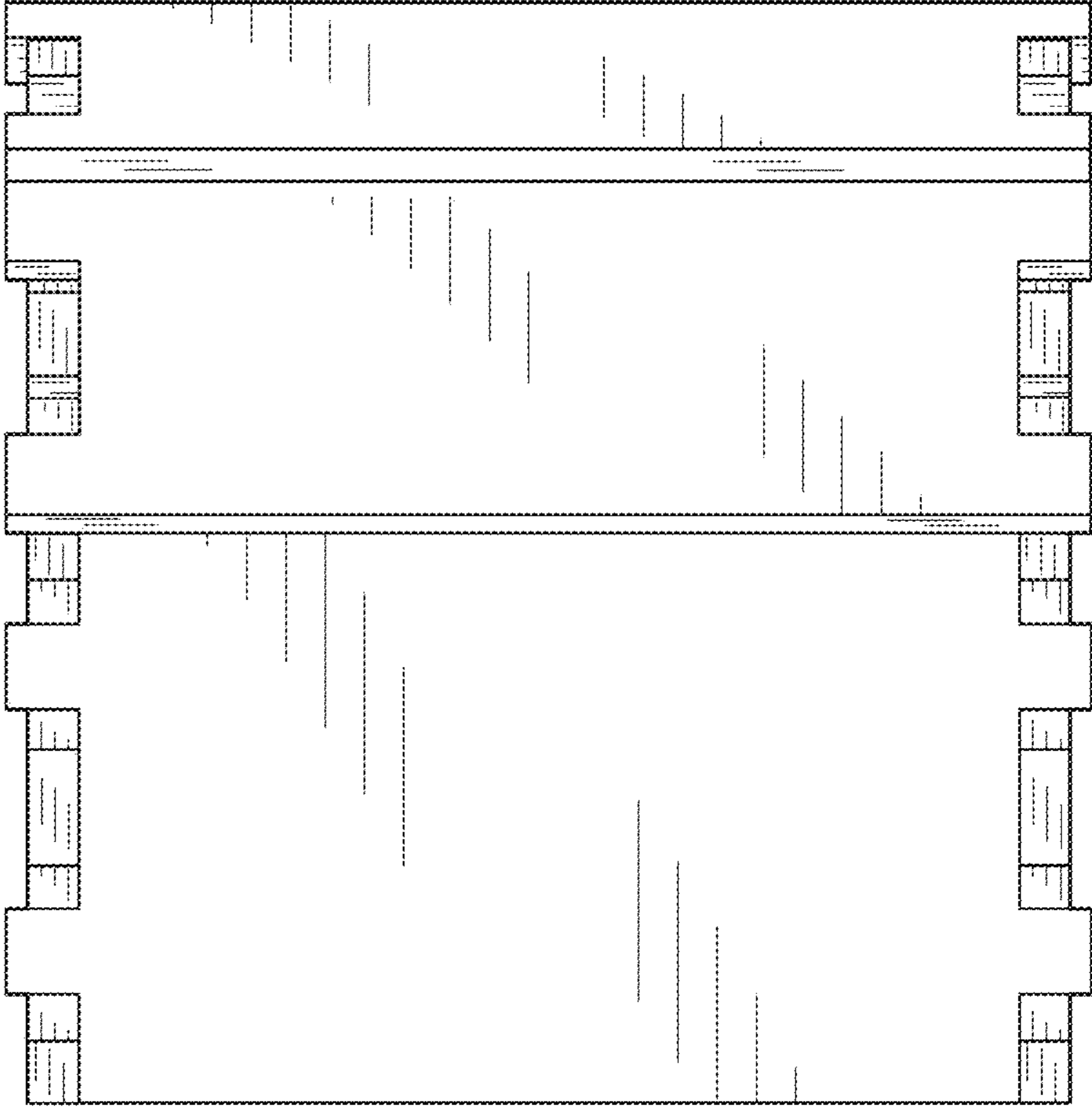


FIG. 8

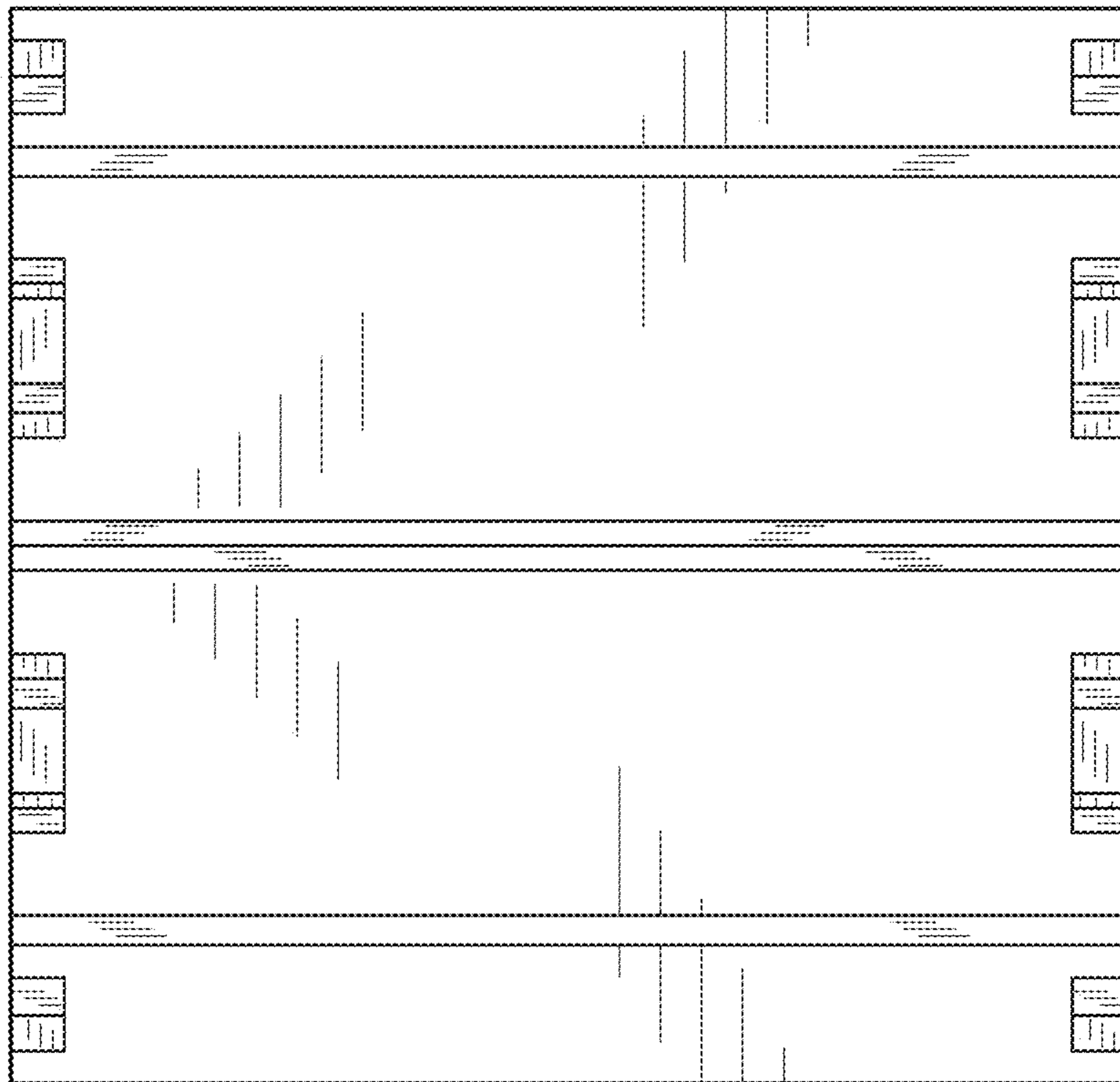


FIG. 9

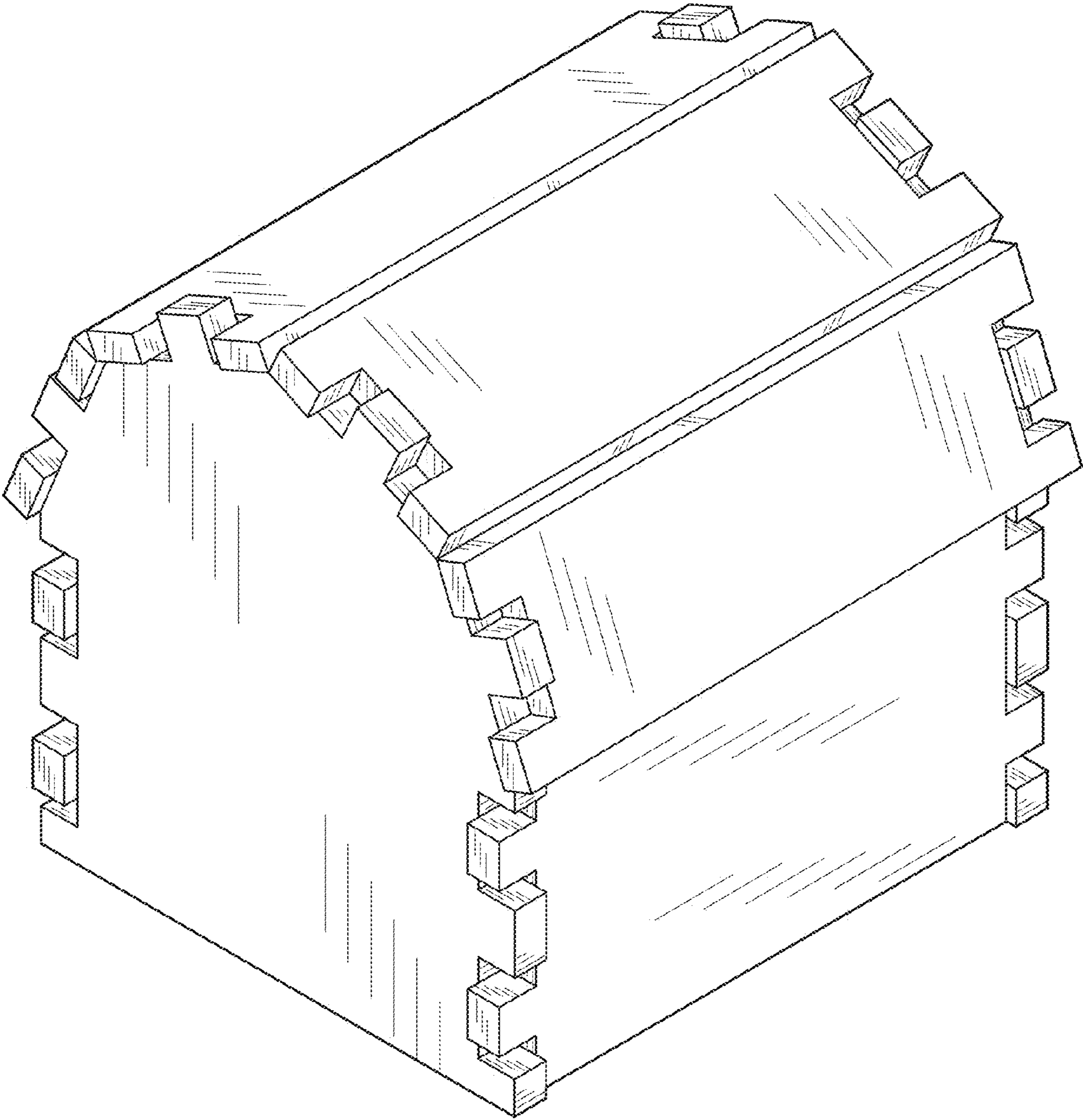


FIG. 10